



US00D844430S

(12) **United States Design Patent** (10) **Patent No.:** **US D844,430 S**
Dammers et al. (45) **Date of Patent:** **** Apr. 2, 2019**

(54) **BEVERAGE CARTON**

OTHER PUBLICATIONS

(71) Applicant: **SIG Technology AG**, Neuhausen Am Rheinfall (CH)

“More Packaging News for Wine”; Packaging Digest; May 2004; p. 2; vol. 41, No. 5.

(Continued)

(72) Inventors: **Matthias Dammers**, Alsdorf (DE);
Magdalena Gartner, Aachen (DE);
Thomas Keck, Aachen (DE)

Primary Examiner — Keli L Hill

(74) *Attorney, Agent, or Firm* — The Webb Law Firm

(73) Assignee: **SIG Technology AG**, Neuhausen am Rheinfall (CH)

(57) **CLAIM**

The ornamental design for a beverage carton, as shown and described.

(**) Term: **15 Years**

DESCRIPTION

(21) Appl. No.: **35/502,316**

(22) Filed: **Sep. 6, 2016**

(80) **Hague Agreement Data**

Int. Filing Date: **Sep. 6, 2016**

Int. Reg. No.: **DM/094106**

Int. Reg. Date: **Sep. 6, 2016**

Int. Reg. Pub. Date: **Jan. 20, 2017**

(30) **Foreign Application Priority Data**

Apr. 4, 2016 (EM) 003055391

(51) **LOC (11) Cl.** **09-03**

(52) **U.S. Cl.**
USPC **D9/431; D9/432**

(58) **Field of Classification Search**
USPC D9/414, 424, 430–432, 500, 503, 504,
D9/522, 529, 668, 702, 711, 715
(Continued)

(56) **References Cited**

U.S. PATENT DOCUMENTS

D333,781 S * 3/1993 Kobel D30/124

D518,371 S * 4/2006 Franic D9/417

(Continued)

1.1 is a perspective view of a beverage carton, showing our new design in accordance with an embodiment of the present invention;

1.2 is a front elevation view thereof;

1.3 is a rear elevation view thereof;

1.4 is a left side elevation view thereof;

1.5 is a right side elevation view thereof;

1.6 is a top view thereof;

1.7 is a bottom view thereof;

2.1 is a perspective view of a beverage carton, showing our new design in accordance with an embodiment of the present invention;

2.2 is a front elevation view thereof;

2.3 is a rear elevation view thereof;

2.4 is a left side elevation view thereof;

2.5 is a right side elevation view thereof;

2.6 is a top view thereof;

2.7 is a bottom view thereof;

4.1 is a perspective view of a beverage carton, showing our new design in accordance with an embodiment of the present invention;

4.2 is a front elevation view thereof;

4.3 is a rear elevation view thereof;

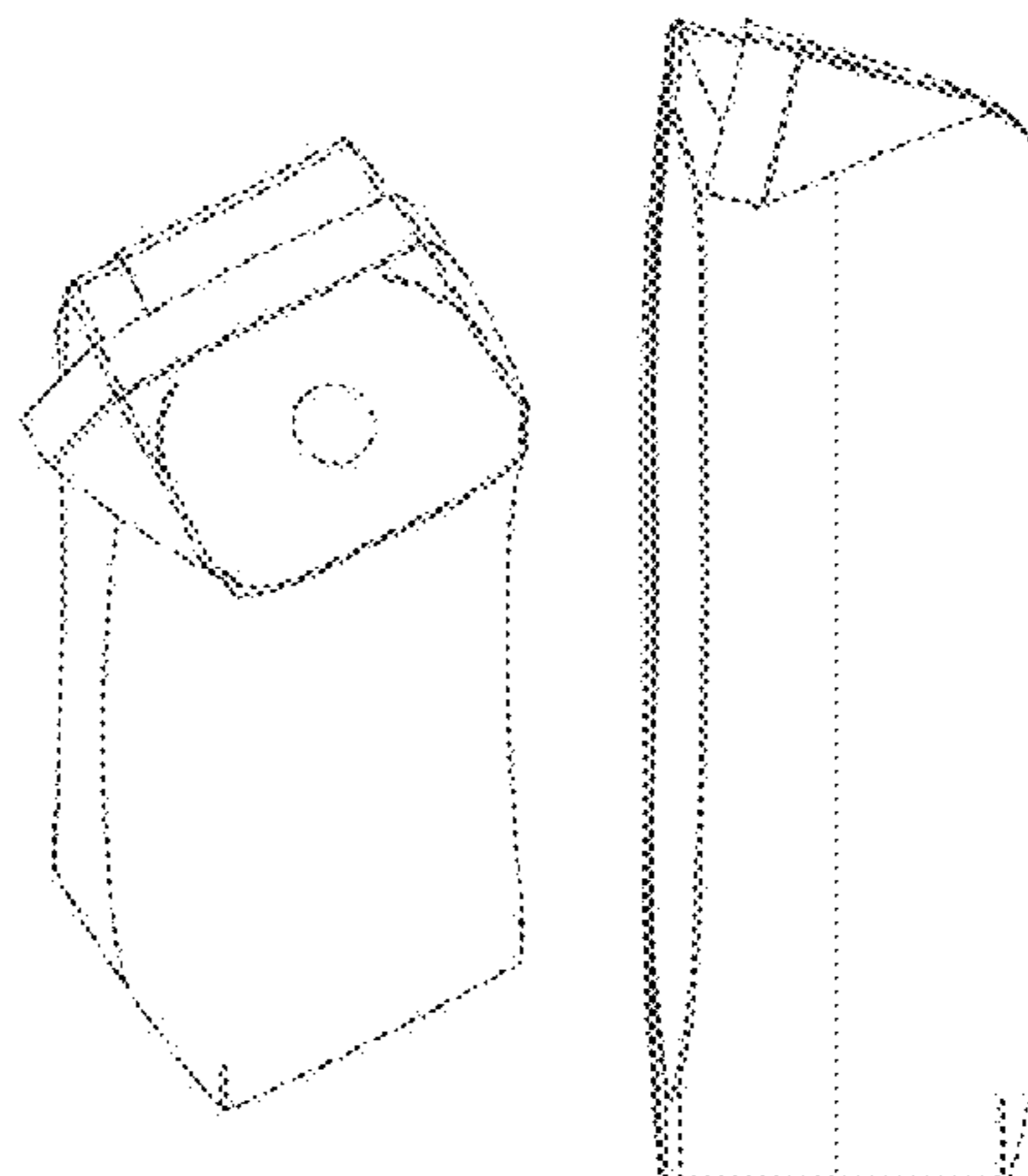
4.4 is a left side elevation view thereof;

4.5 is a right side elevation view thereof;

4.6 is a top view thereof;

4.7 is a bottom view thereof;

(Continued)



5.1 is a perspective view of a beverage carton, showing our new design in accordance with an embodiment of the present invention;

5.2 is a front elevation view thereof;

5.3 is a rear elevation view thereof;

5.4 is a left side elevation view thereof;

5.5 is a right side elevation view thereof;

5.6 is a top view thereof; and

5.7 is a bottom view thereof.

1 Claim, 28 Drawing Sheets

(58) **Field of Classification Search**

CPC ... B65D 1/00; B65D 1/02; B65D 1/12; B65D 1/14; B65D 1/40; B65D 1/44; B65D 1/023; B65D 1/0223; B65D 1/165; B65D 1/238; B65D 1/246; B65D 1/253; B65D 7/04; B65D 21/0209; B65D 21/0233; B65D 25/00; B65D 25/28; B65D 41/0457; B65D 41/17; B65D 53/06; B65D 75/56; B65D 79/005; B65D 2501/0036; B65D 2543/00064; B65D 2543/00074; B65D 2543/00083; B65D 2543/00092; B65D 2543/00101; B65D 2543/00111; B21D 51/26; B21D 51/383; B29C 66/71; Y10T 29/49826

See application file for complete search history.

(56)

References Cited

U.S. PATENT DOCUMENTS

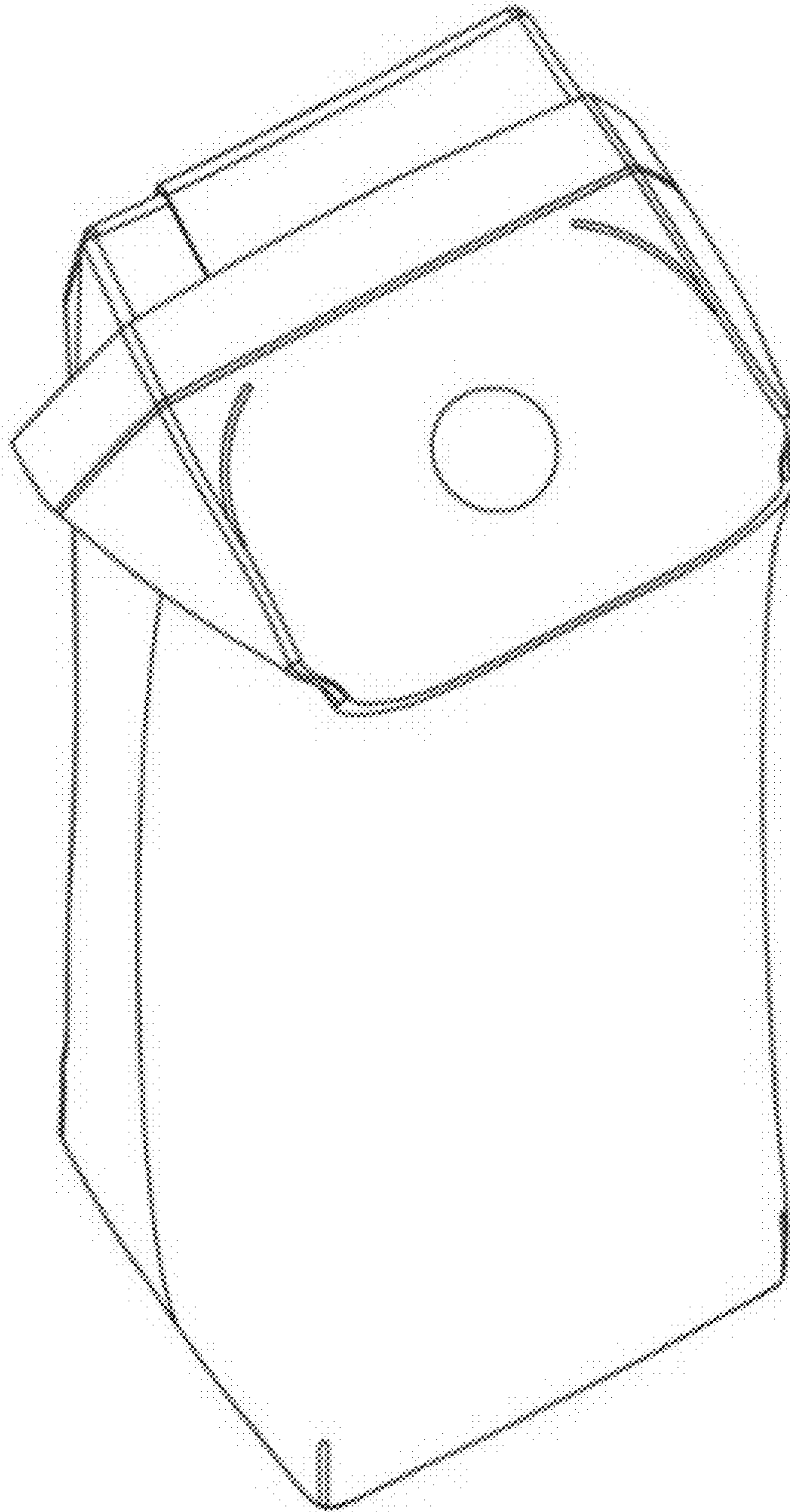
| | | | | | |
|--------------|------|---------|-------------------|-------|--------------------------|
| D540,164 | S * | 4/2007 | Franic | | D9/434 |
| D605,506 | S * | 12/2009 | Franic | | D9/433 |
| D609,088 | S * | 2/2010 | Kvam | | D9/431 |
| D623,537 | S * | 9/2010 | Berman | | D9/708 |
| D629,295 | S * | 12/2010 | Franic | | D9/433 |
| D634,625 | S * | 3/2011 | Wallace | | D9/433 |
| 7,934,637 | B2 * | 5/2011 | Kaneko | | B65D 5/064 222/81 |
| 8,152,376 | B2 * | 4/2012 | Rosentreter | | B65D 5/703 229/243 |
| D668,539 | S * | 10/2012 | Barbieri | | D9/431 |
| D677,565 | S * | 3/2013 | Barbieri | | D9/431 |
| D691,882 | S * | 10/2013 | Barbieri | | D9/430 |
| D702,117 | S * | 4/2014 | Dagnino | | D9/417 |
| D714,638 | S * | 10/2014 | Mohn | | D9/432 |
| D717,644 | S * | 11/2014 | Franic | | D9/431 |
| D721,576 | S * | 1/2015 | De Pietri Tonelli | | D9/431 |
| D721,591 | S * | 1/2015 | Hefetz | | D9/523 |
| D748,470 | S * | 2/2016 | Mohn | | D9/432 |
| D795,686 | S * | 8/2017 | Mohn | | D9/417 |
| D803,044 | S * | 11/2017 | Franic | | D9/431 |
| 2007/0170233 | A1 * | 7/2007 | Fontanazzi | | B65D 5/067 229/137 |
| 2011/0303739 | A1 * | 12/2011 | Franic | | B65D 5/067 229/125.04 |

OTHER PUBLICATIONS

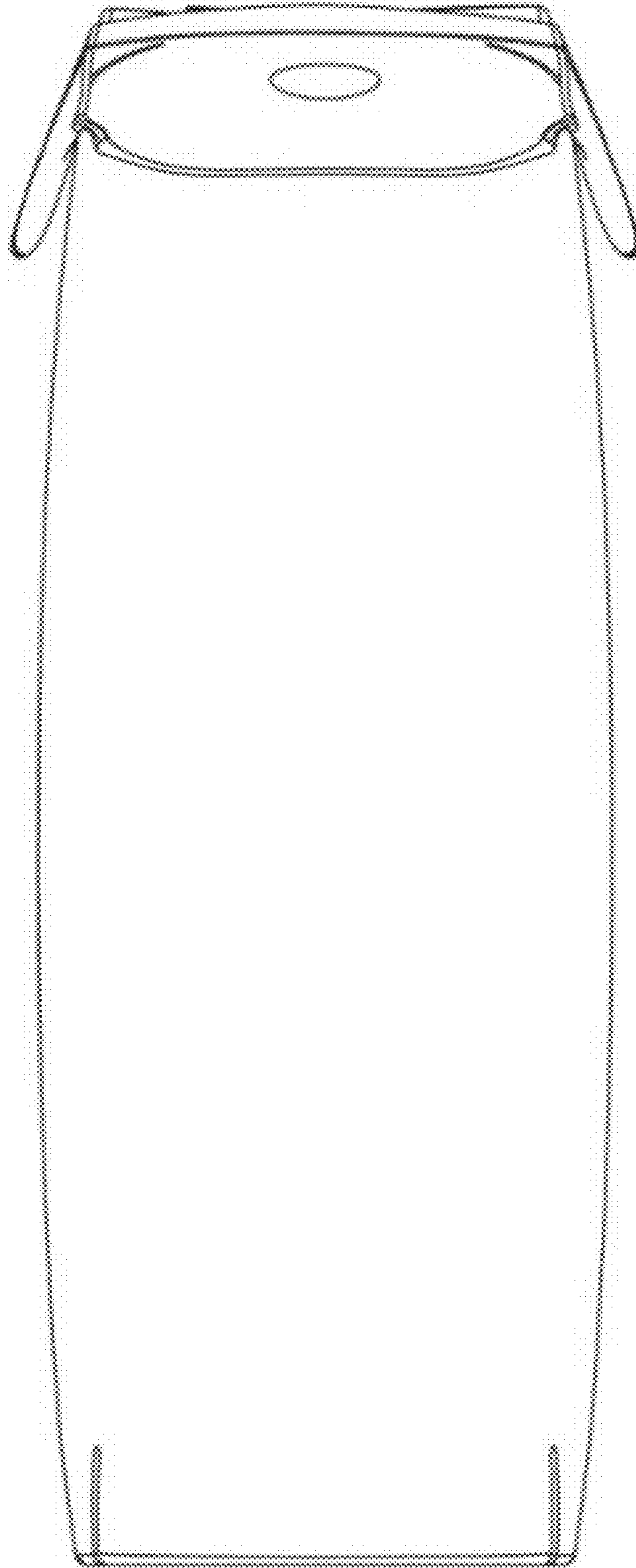
I.D. The International Design Magazine; May 2007; p. 79; vol. 54, No. 3; Magazine Publications, L.P.; New York, New York.

* cited by examiner

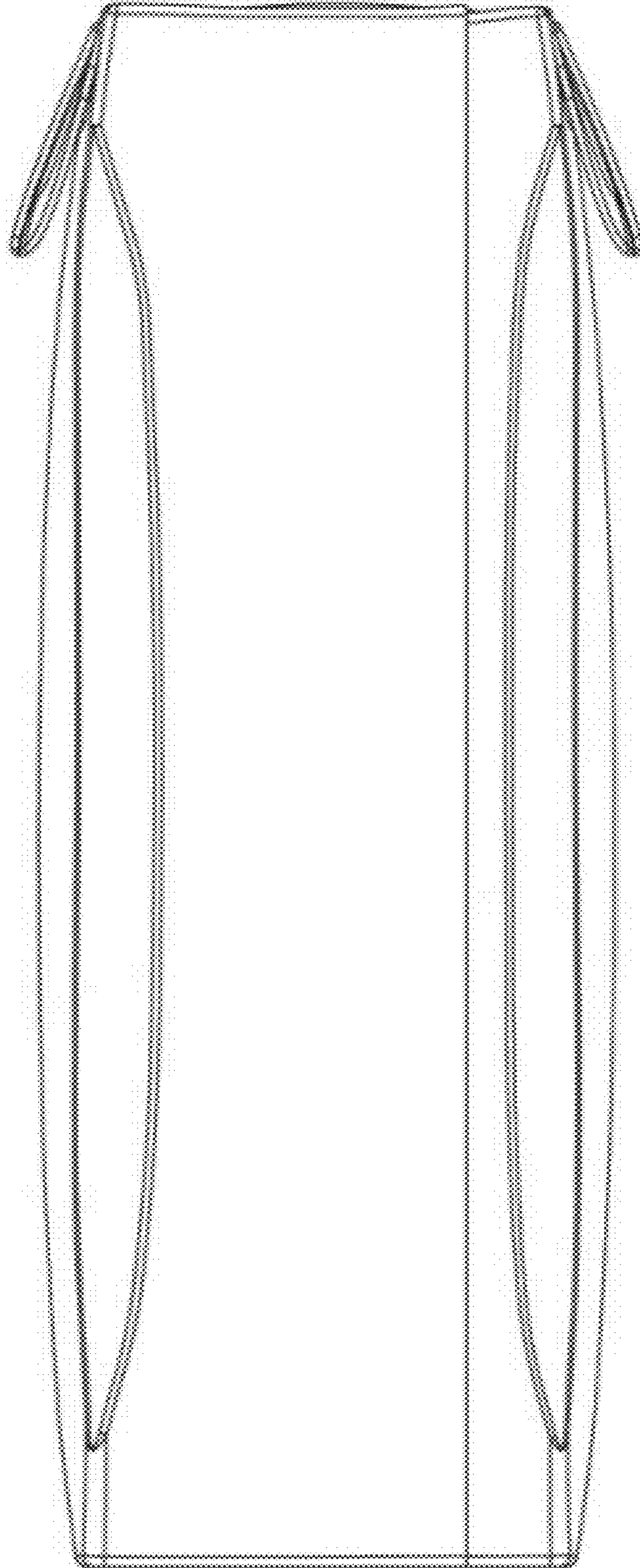
1.1



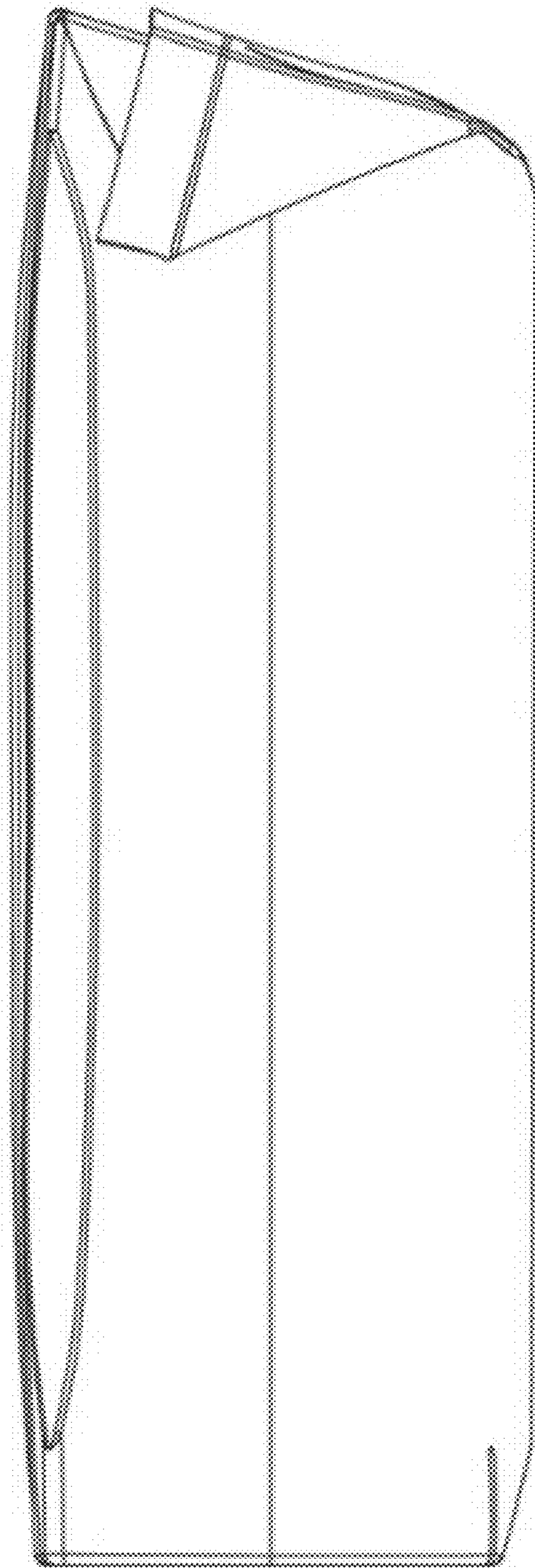
1.2



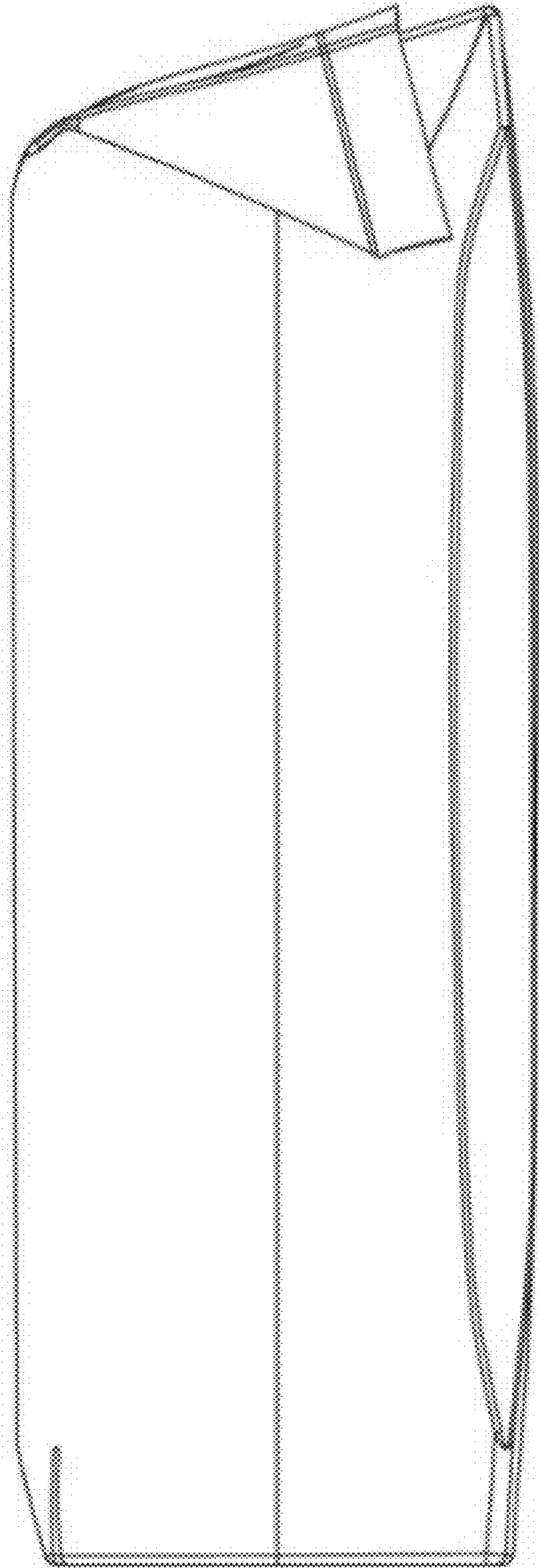
1.3



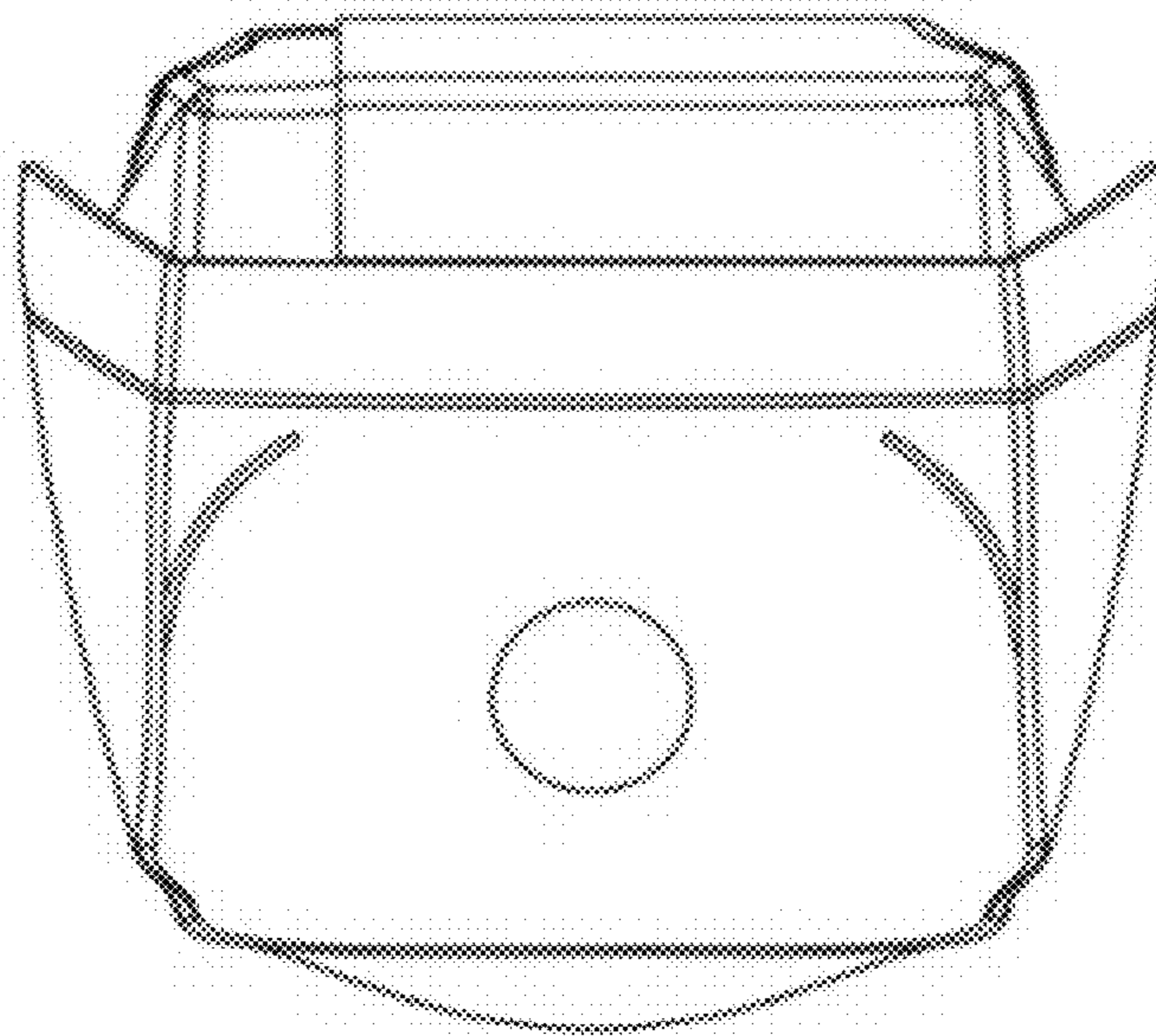
1.4



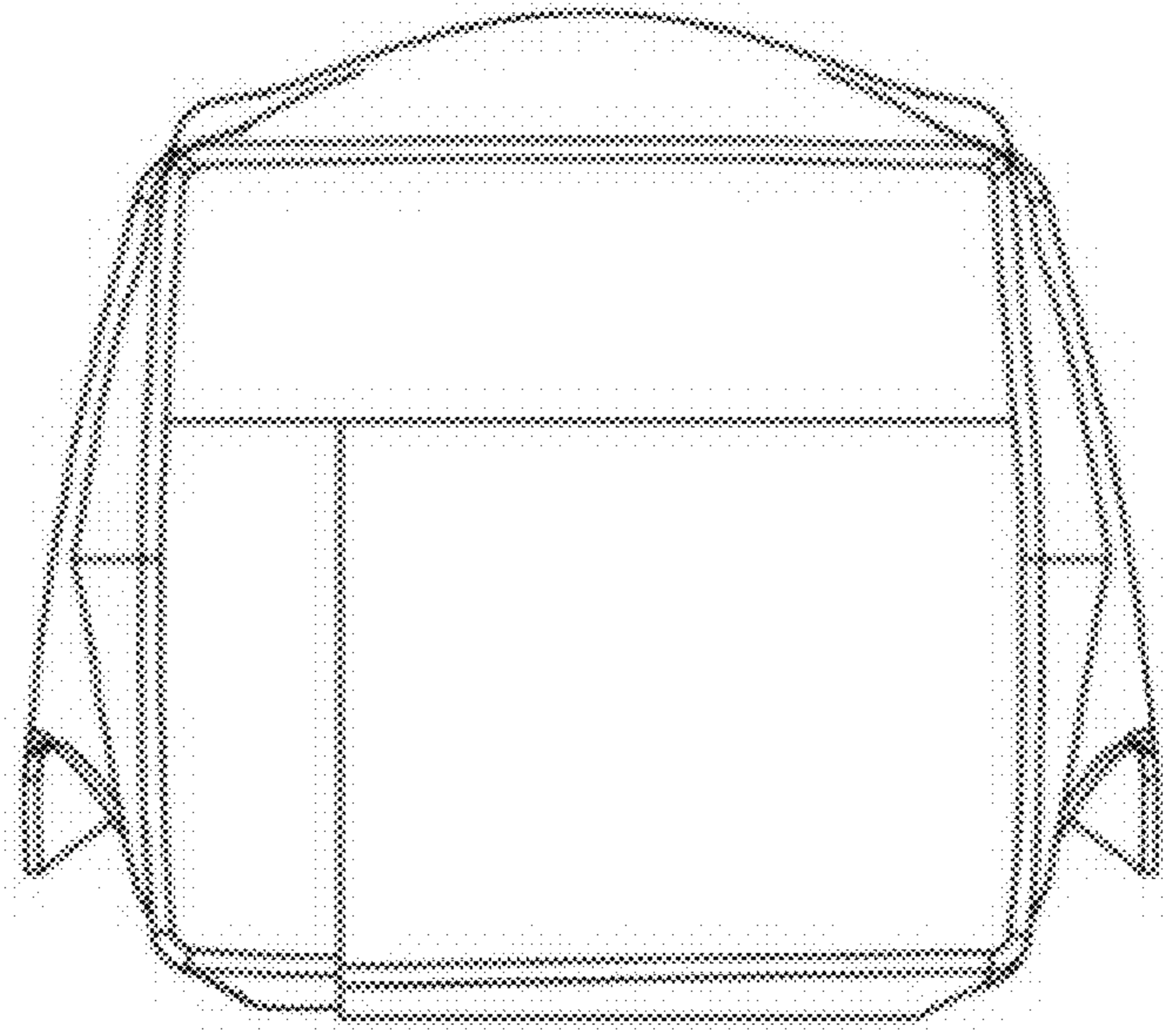
1.5



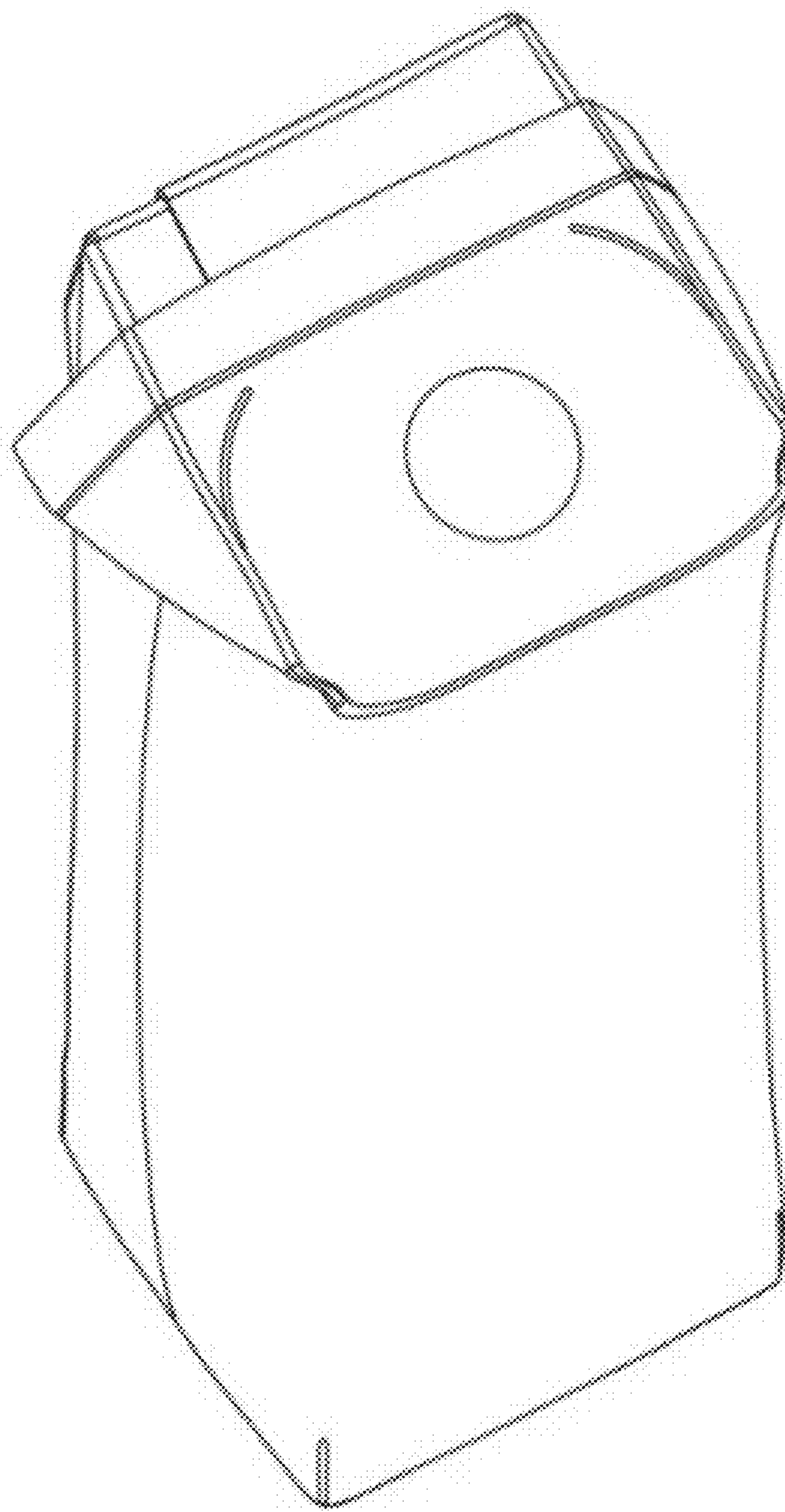
1.6



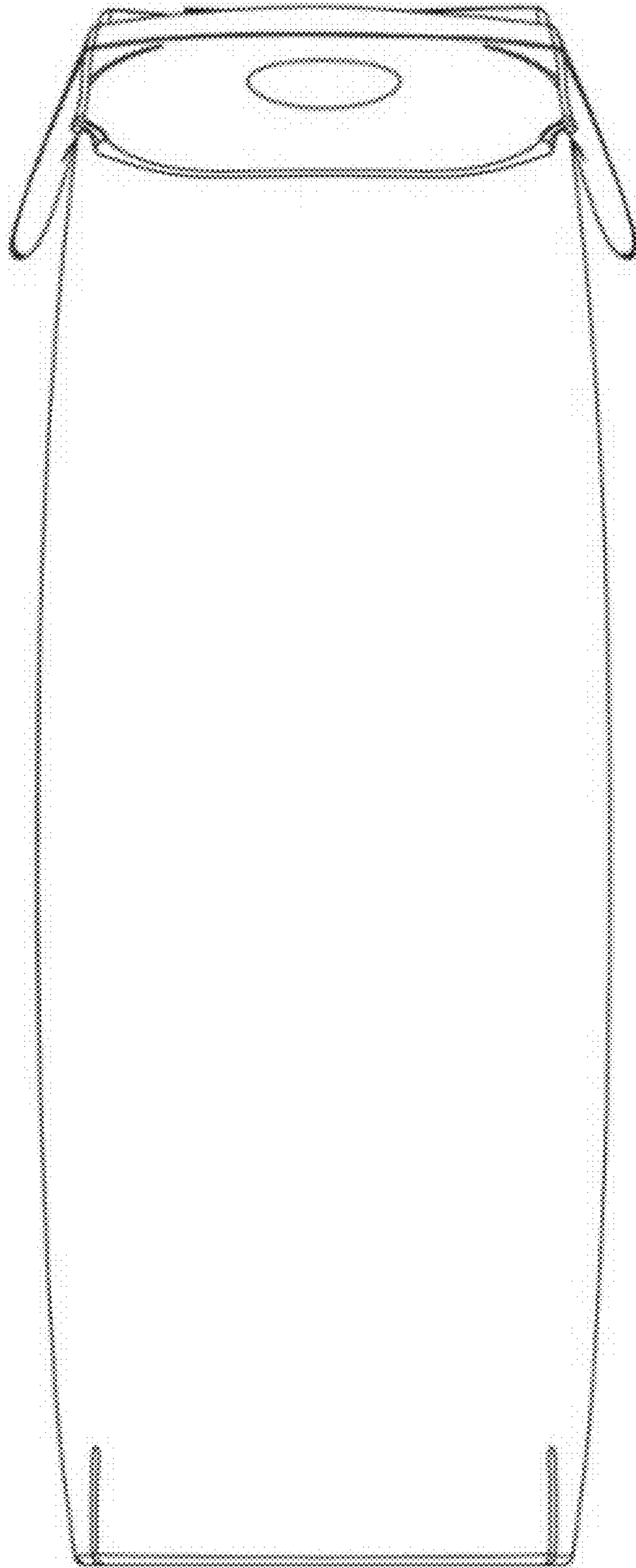
1.7



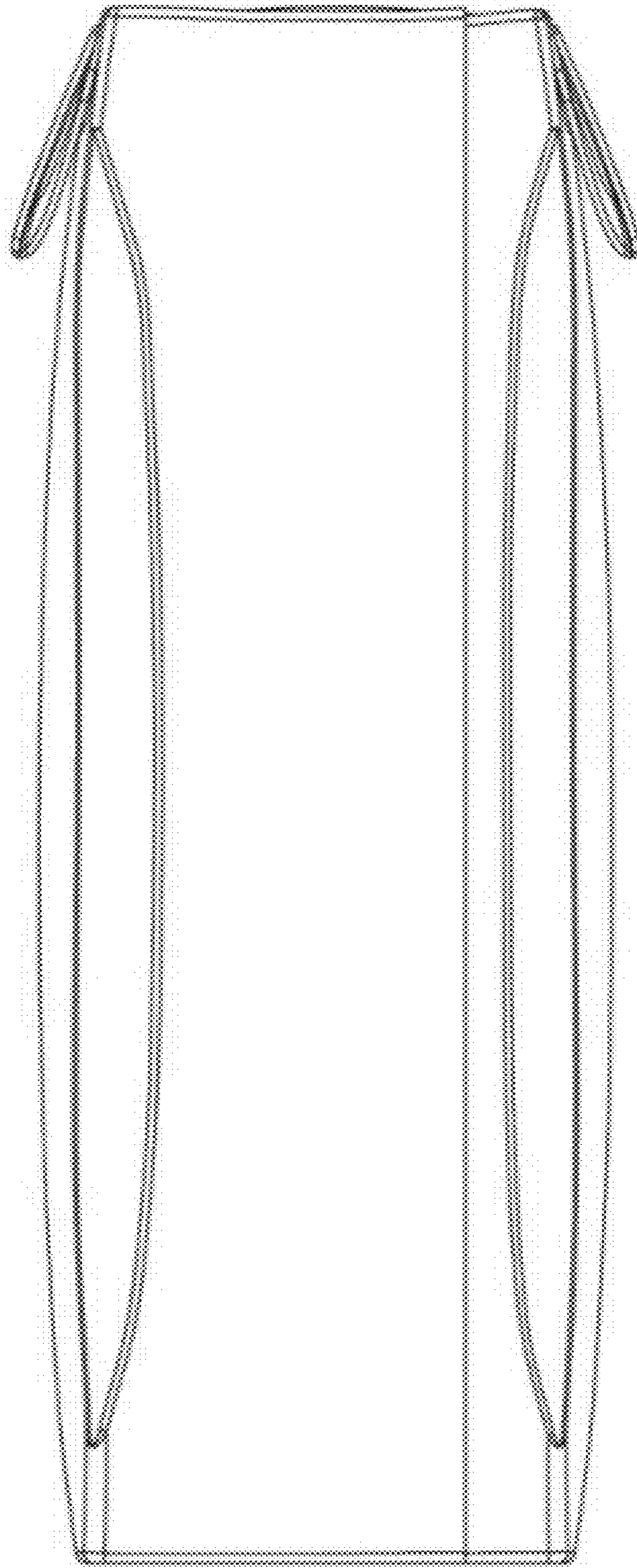
2.1



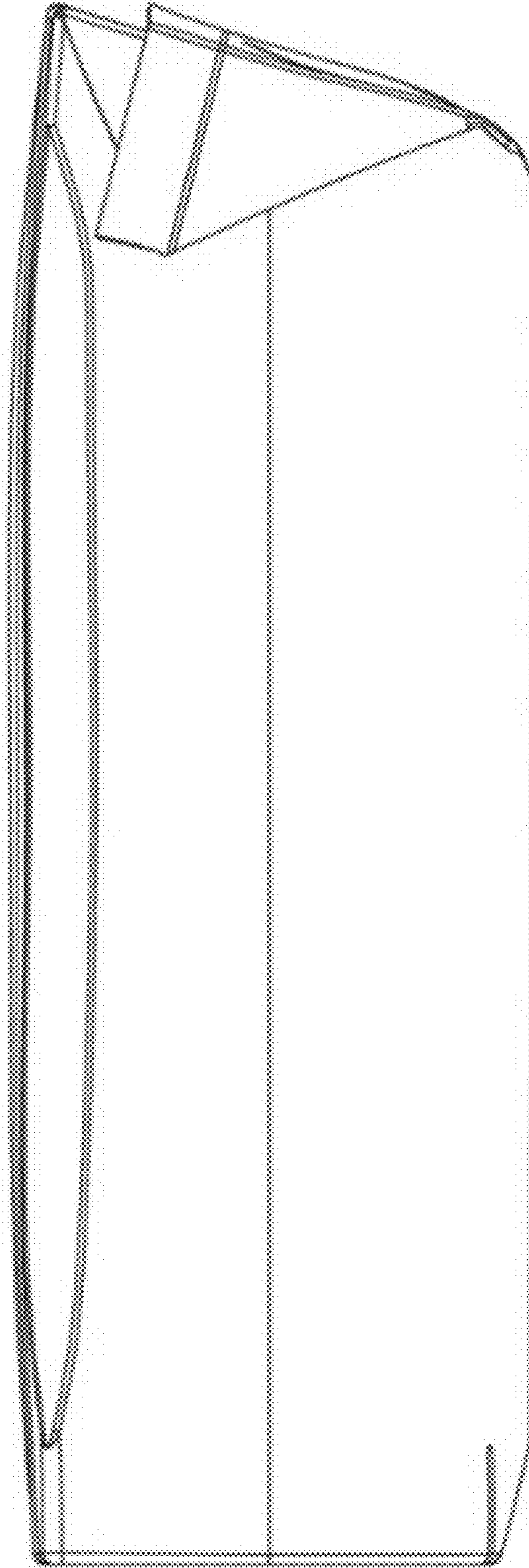
2.2



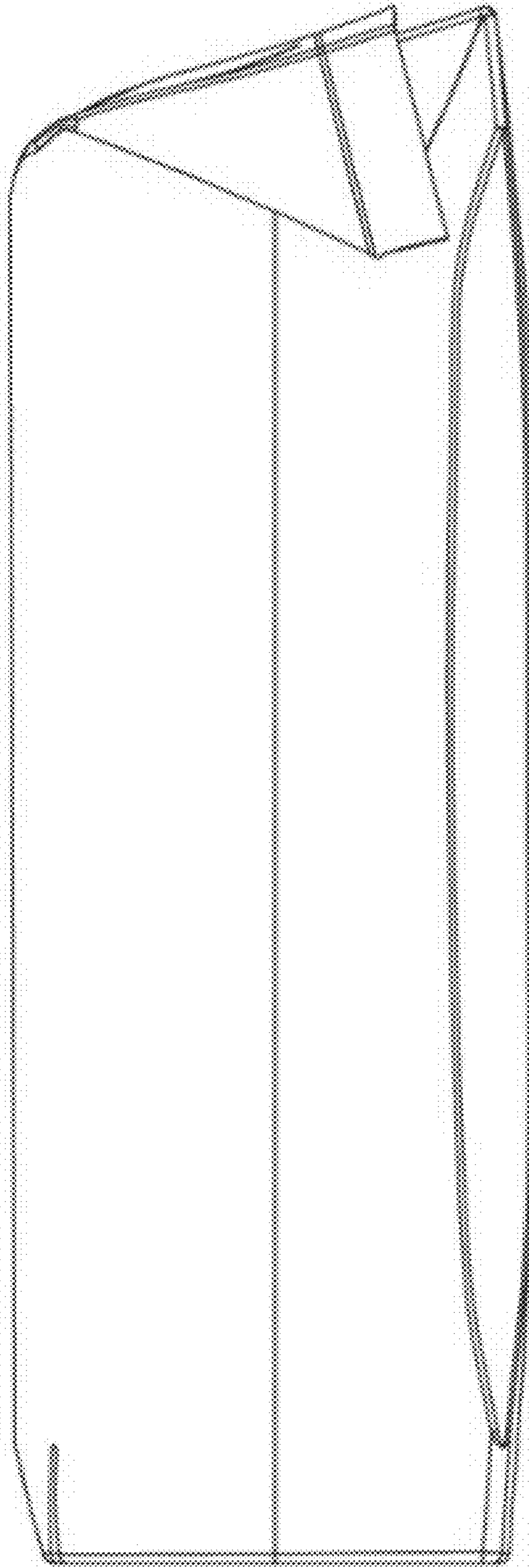
2.3



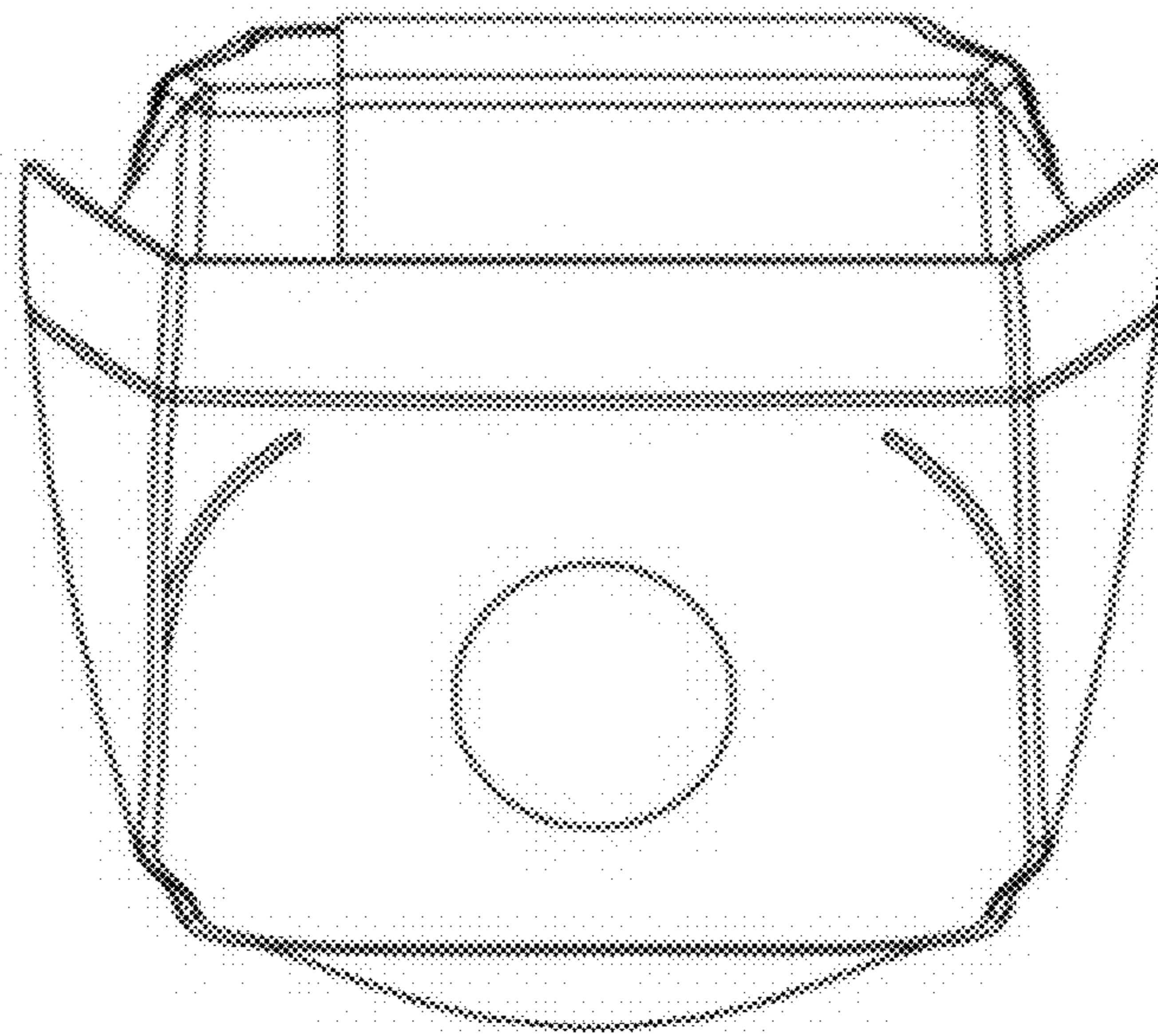
2.4



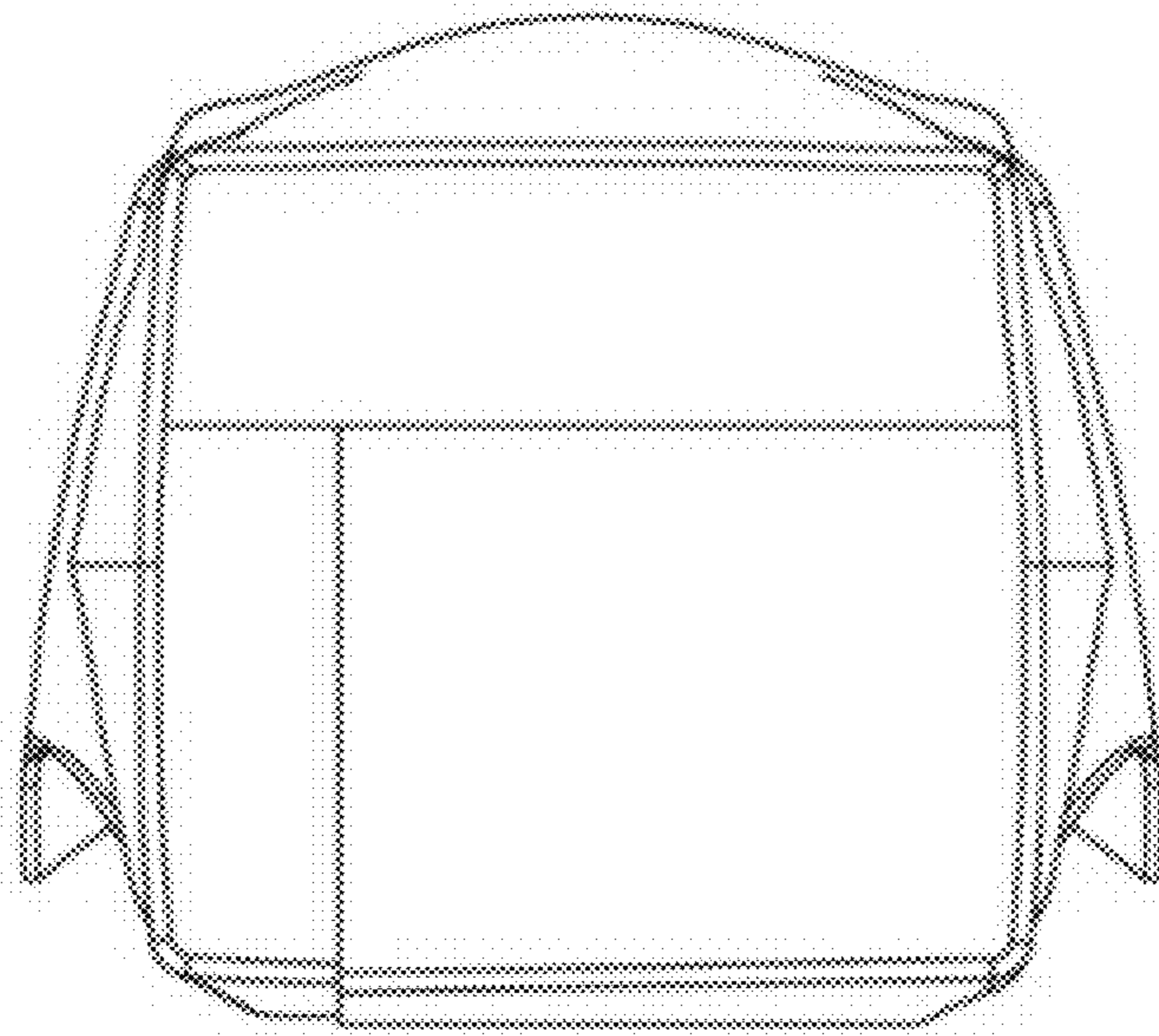
2.5



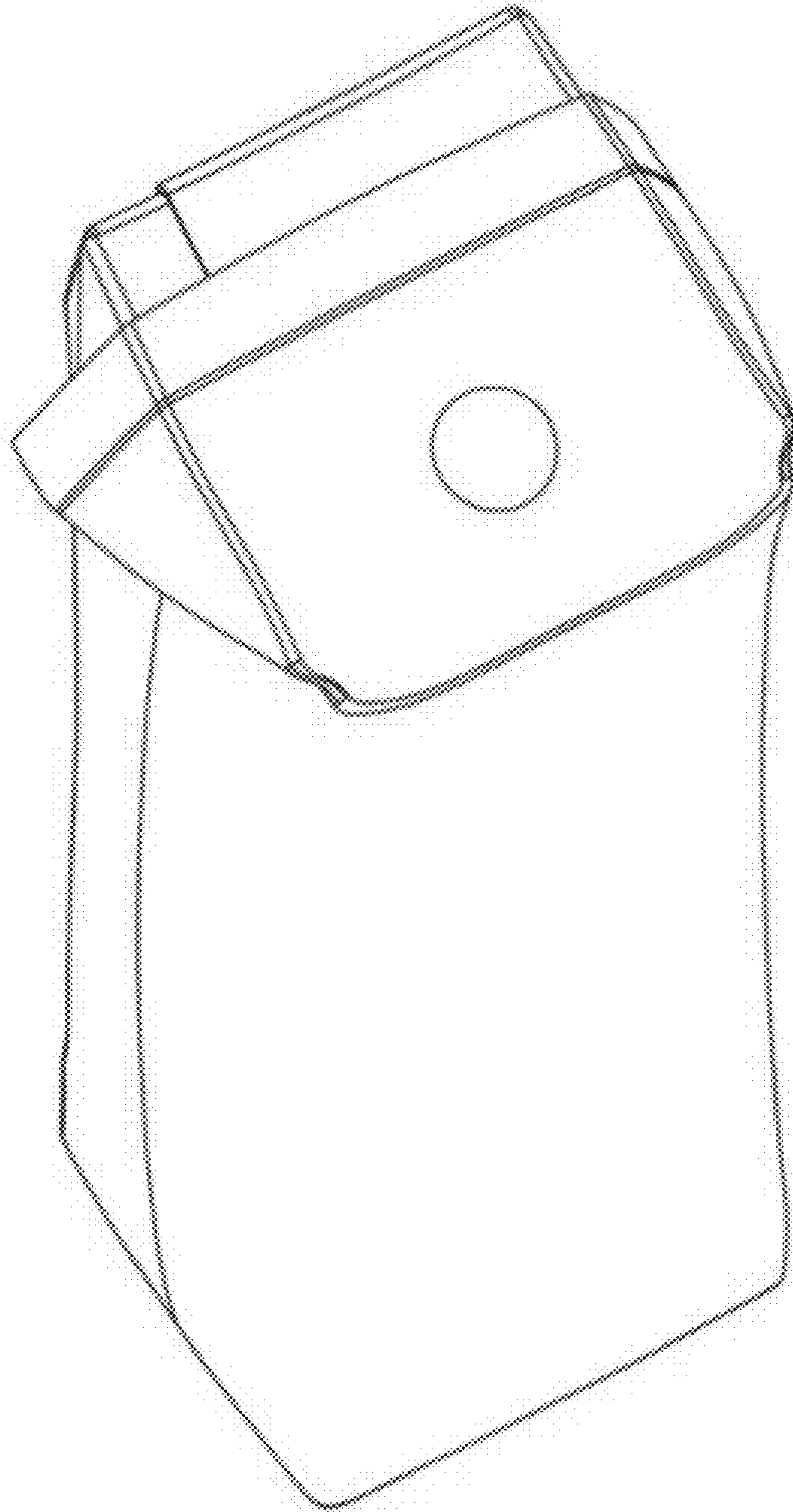
2.6



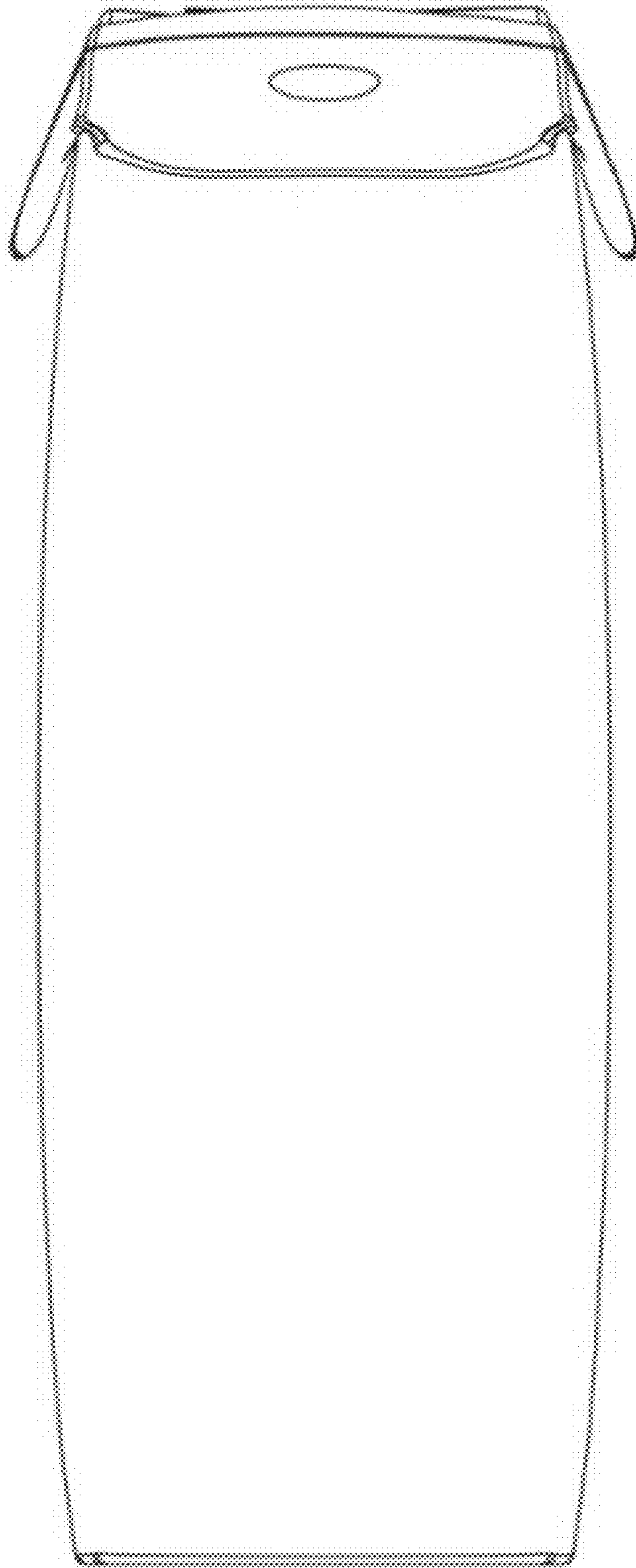
2.7



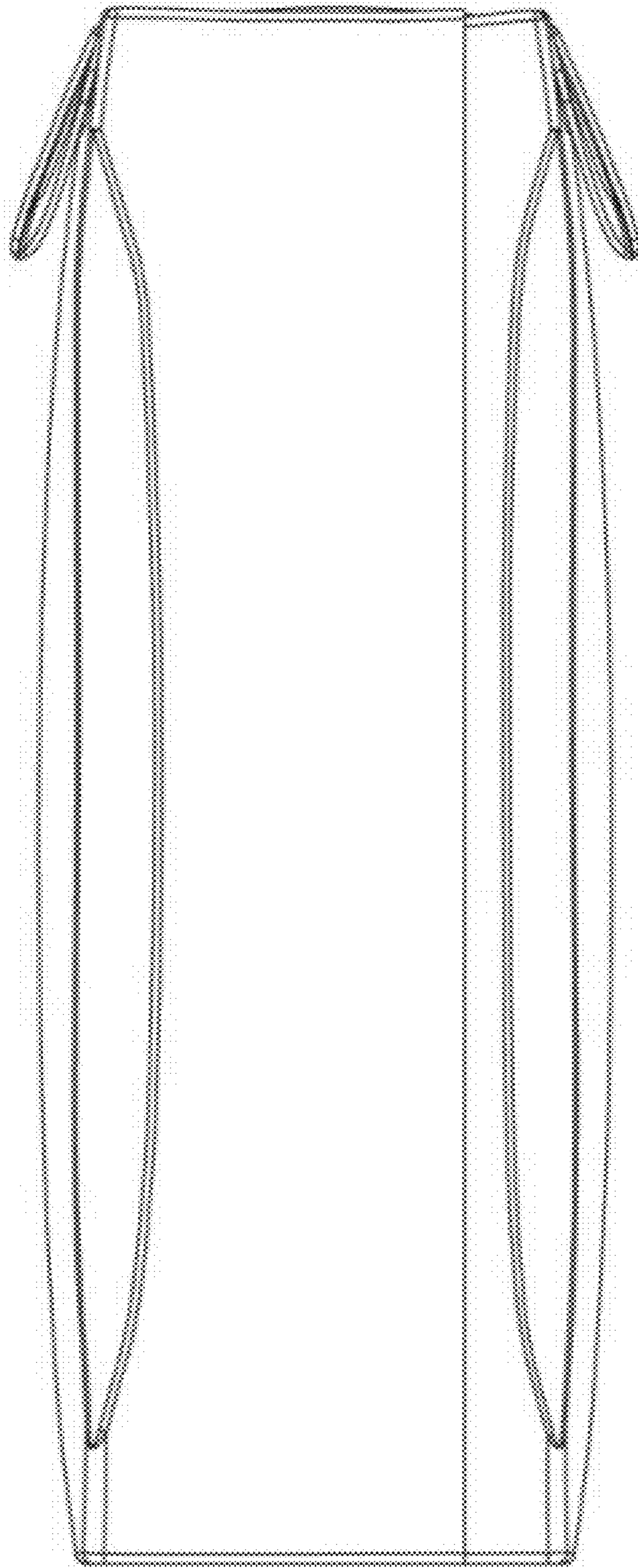
4.1



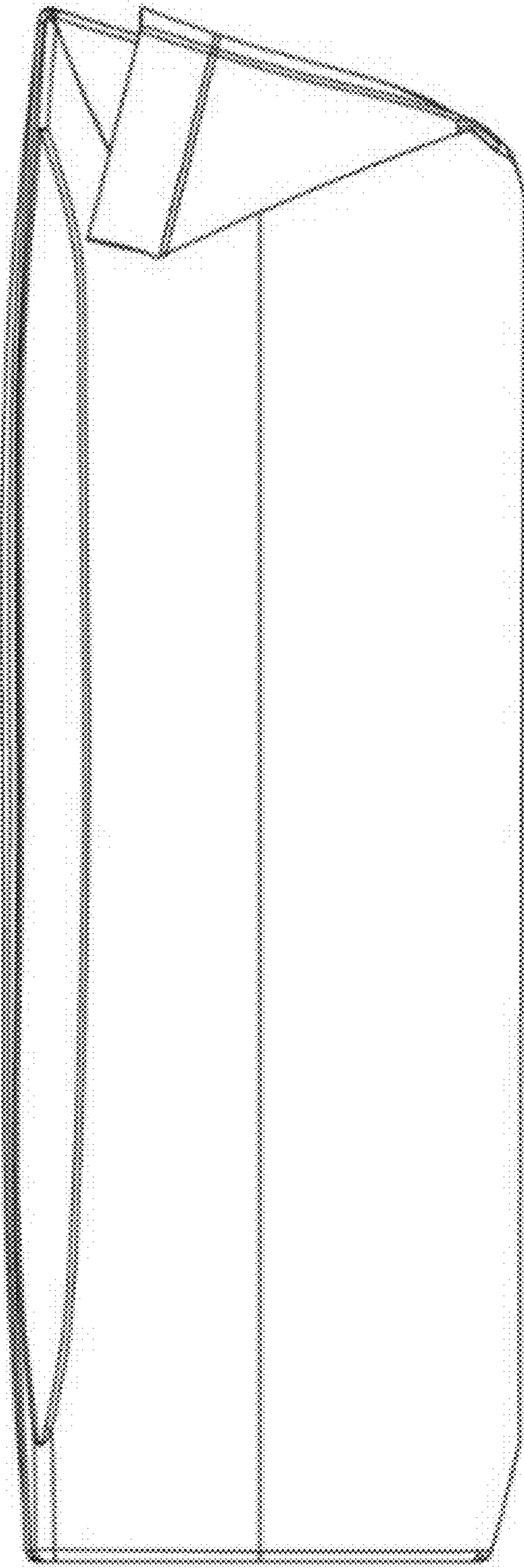
4.2



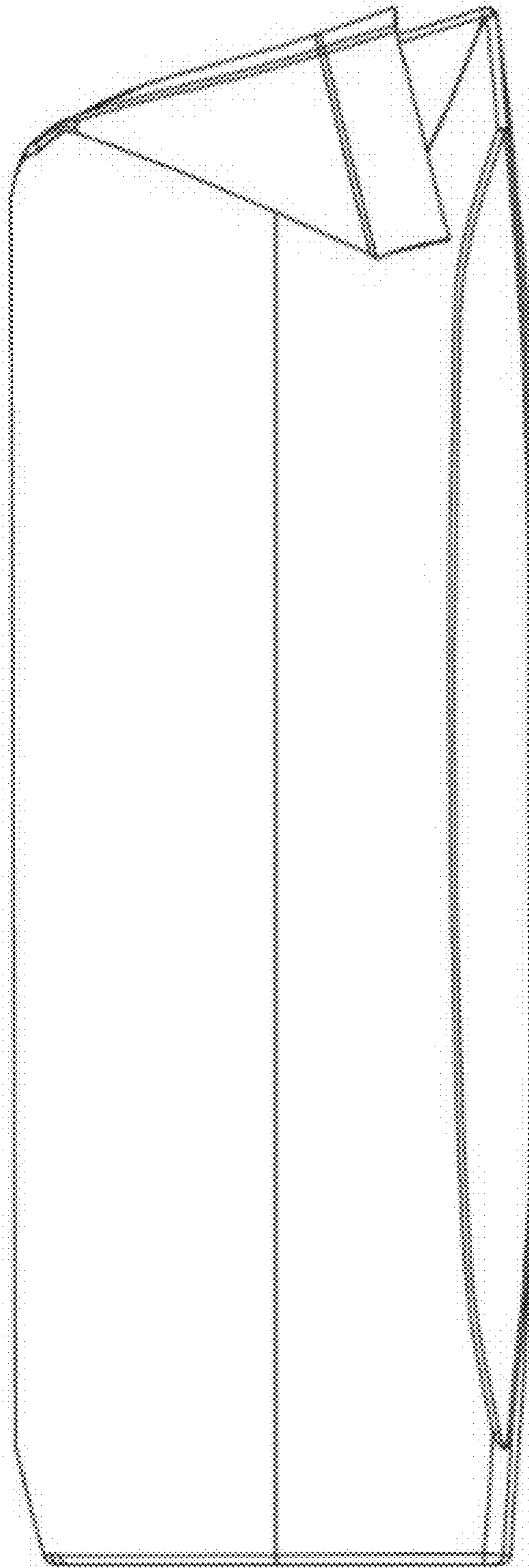
4.3



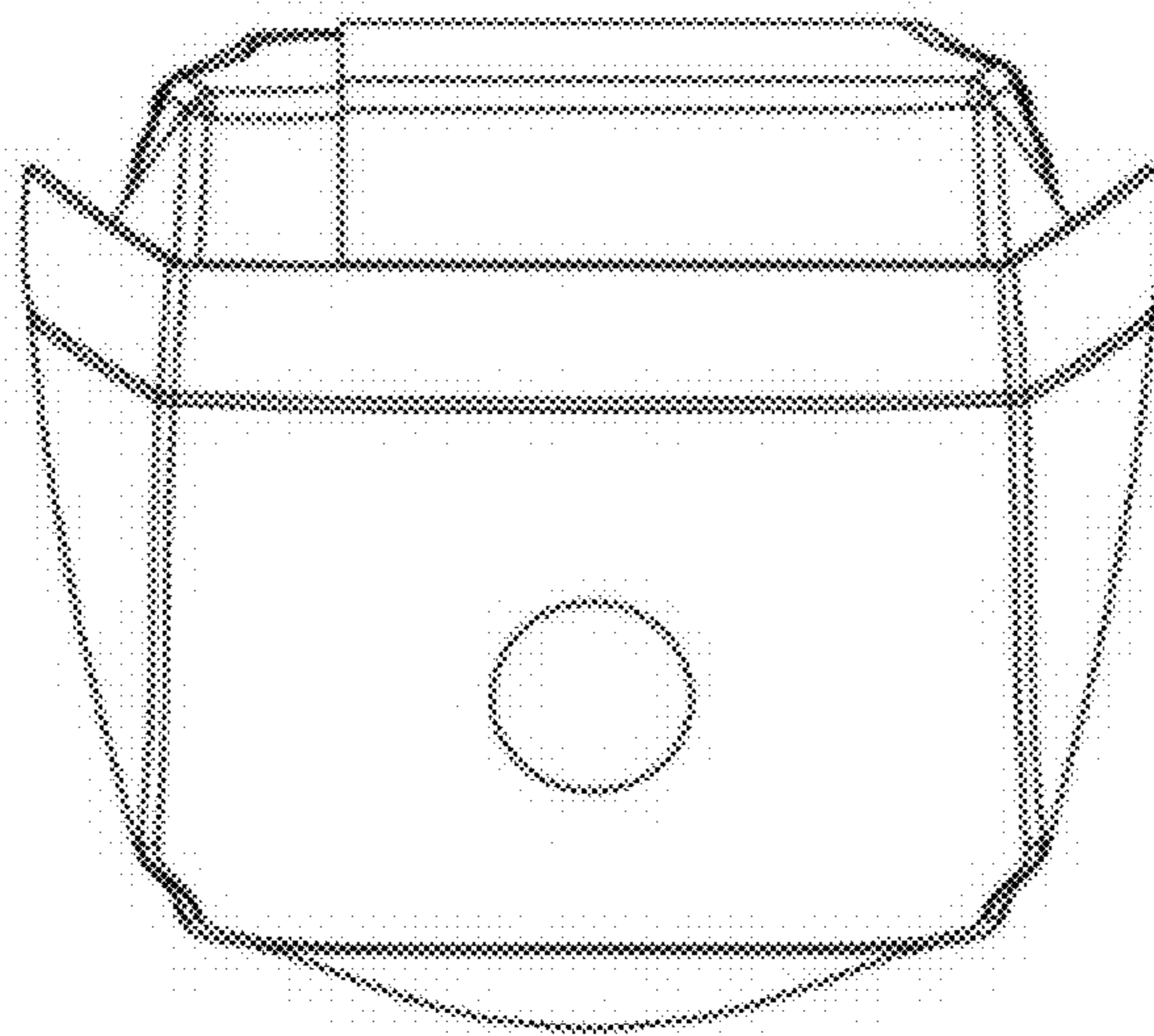
4.4



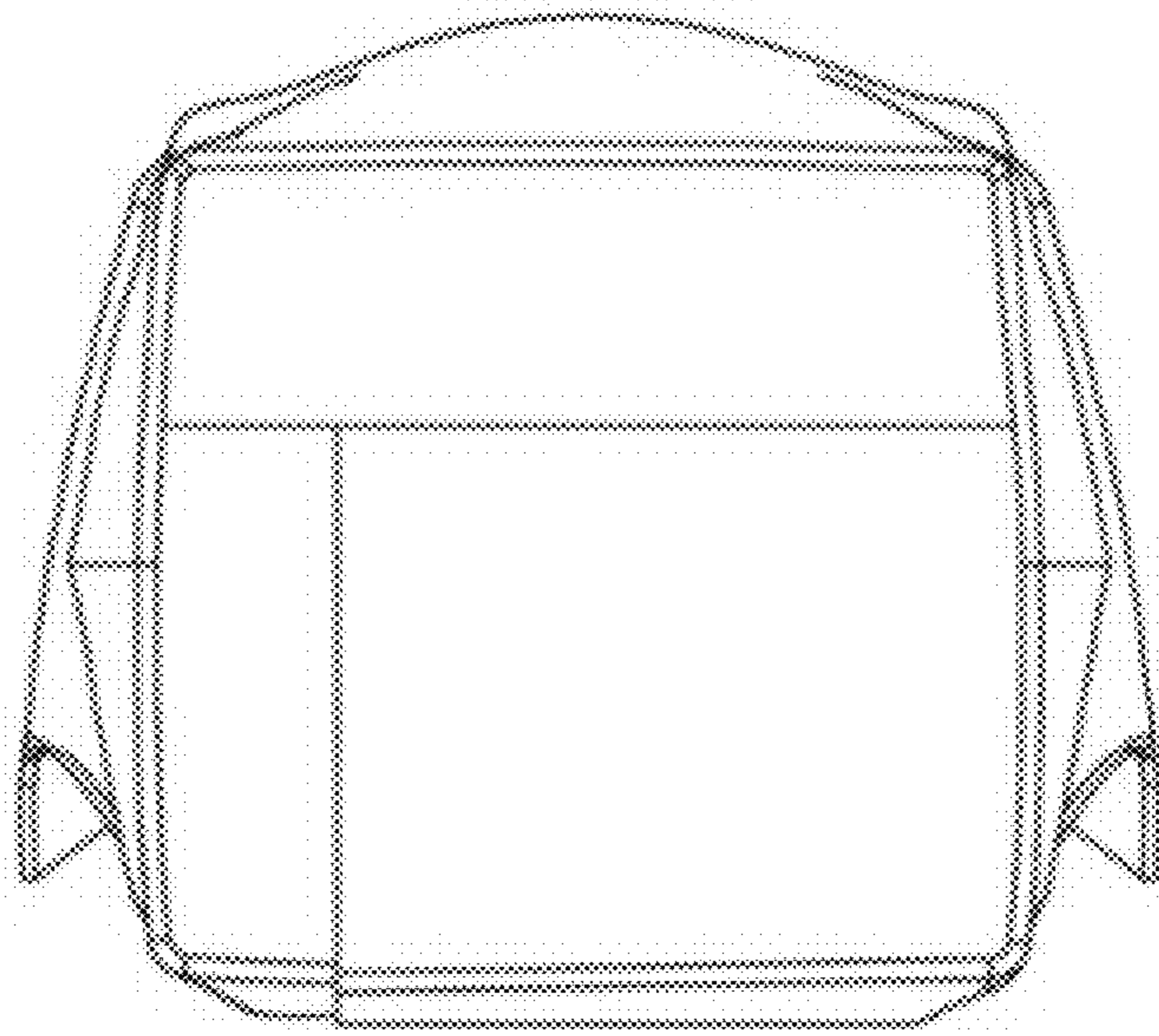
4.5



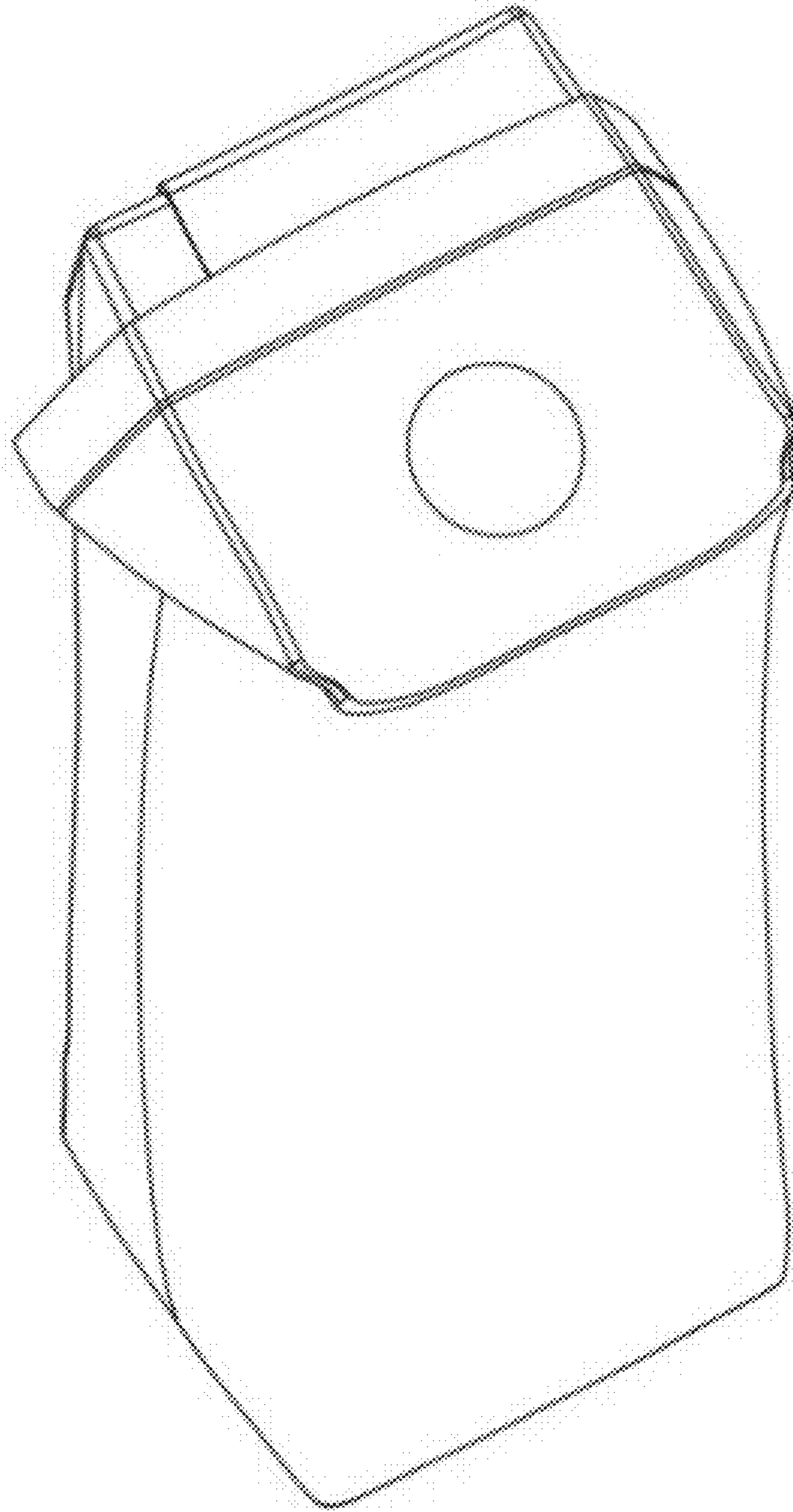
4.6



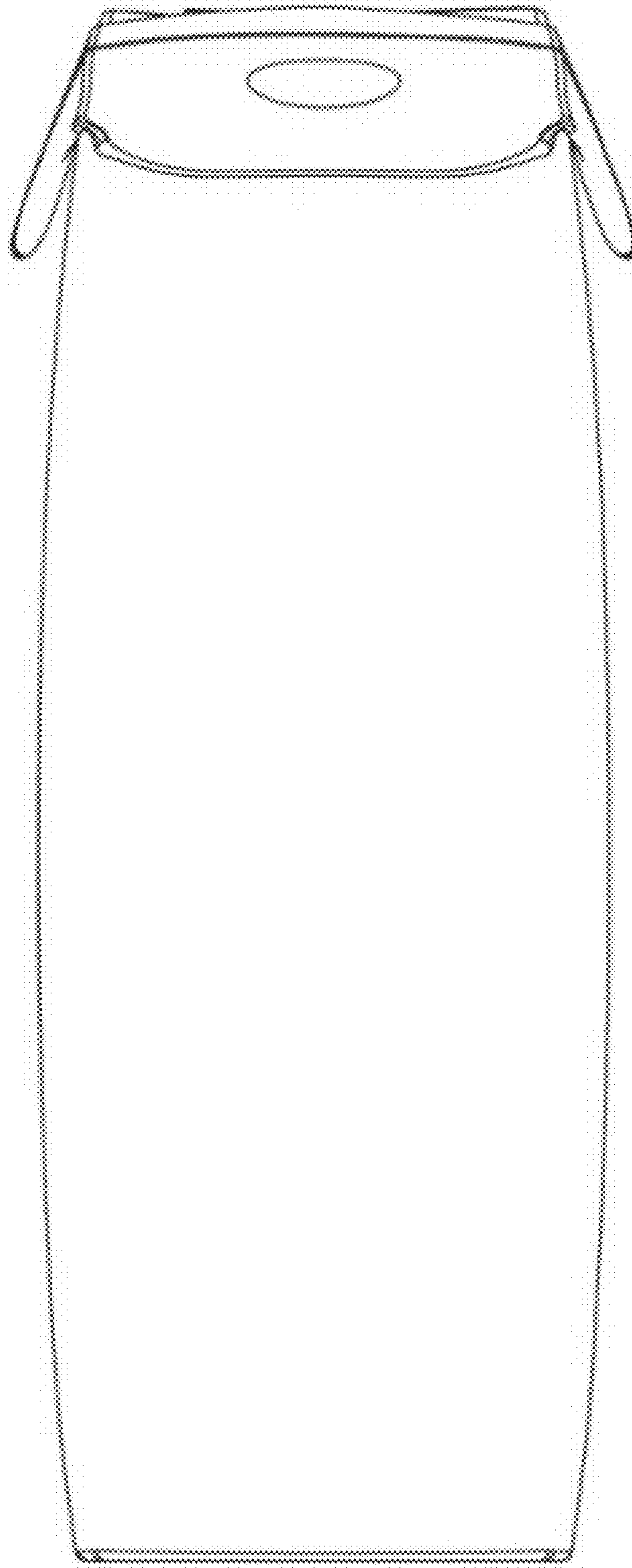
4.7



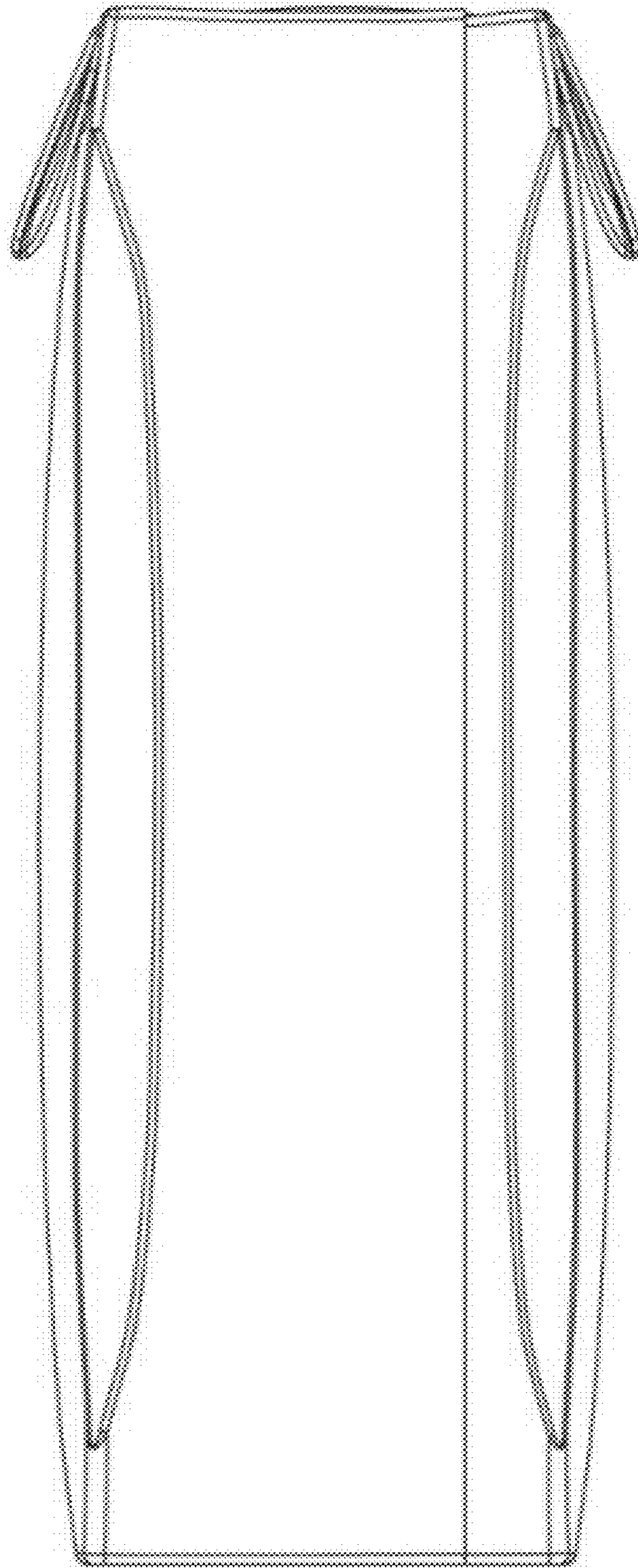
5.1



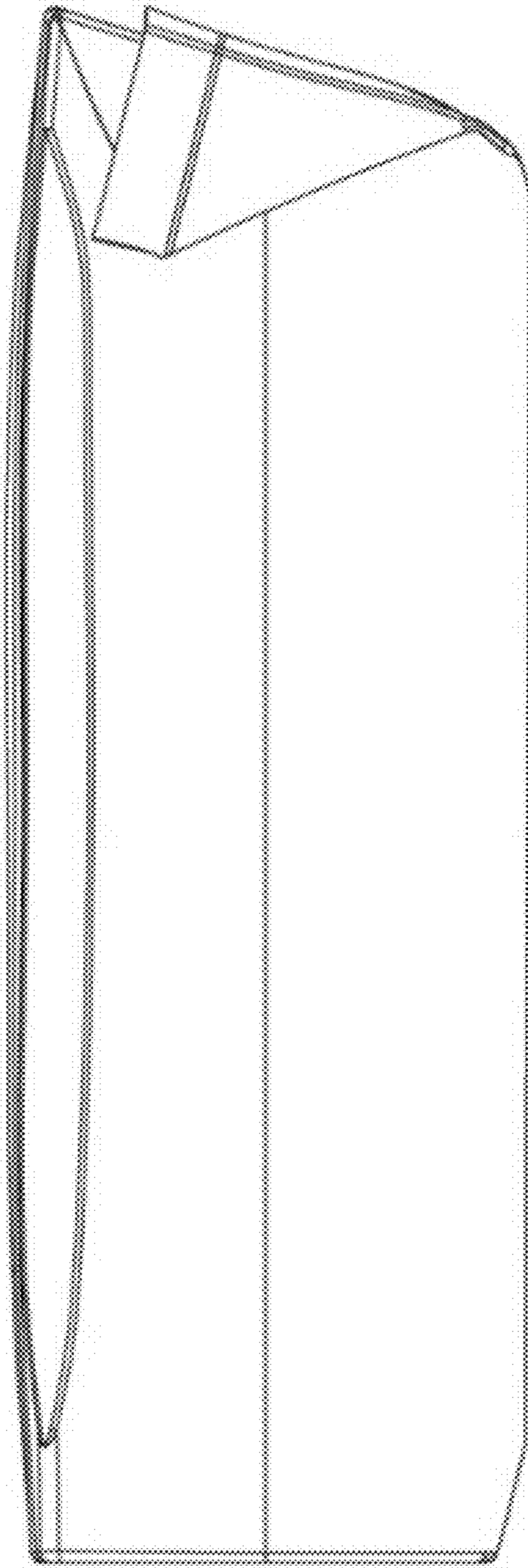
5.2



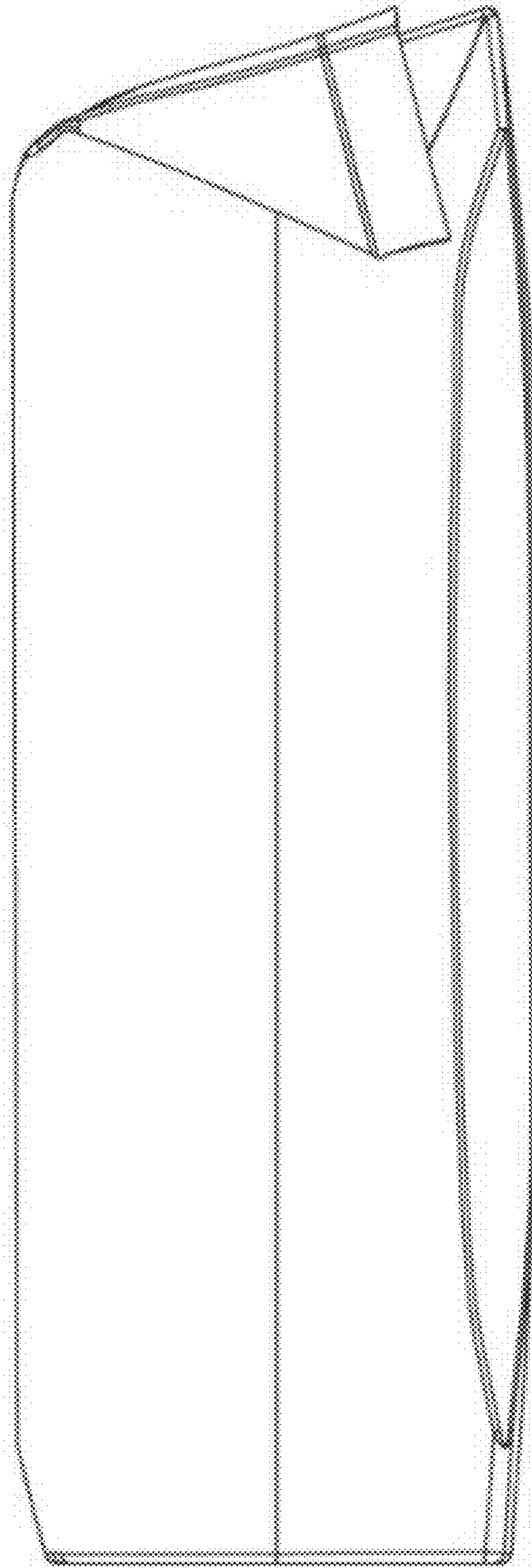
5.3



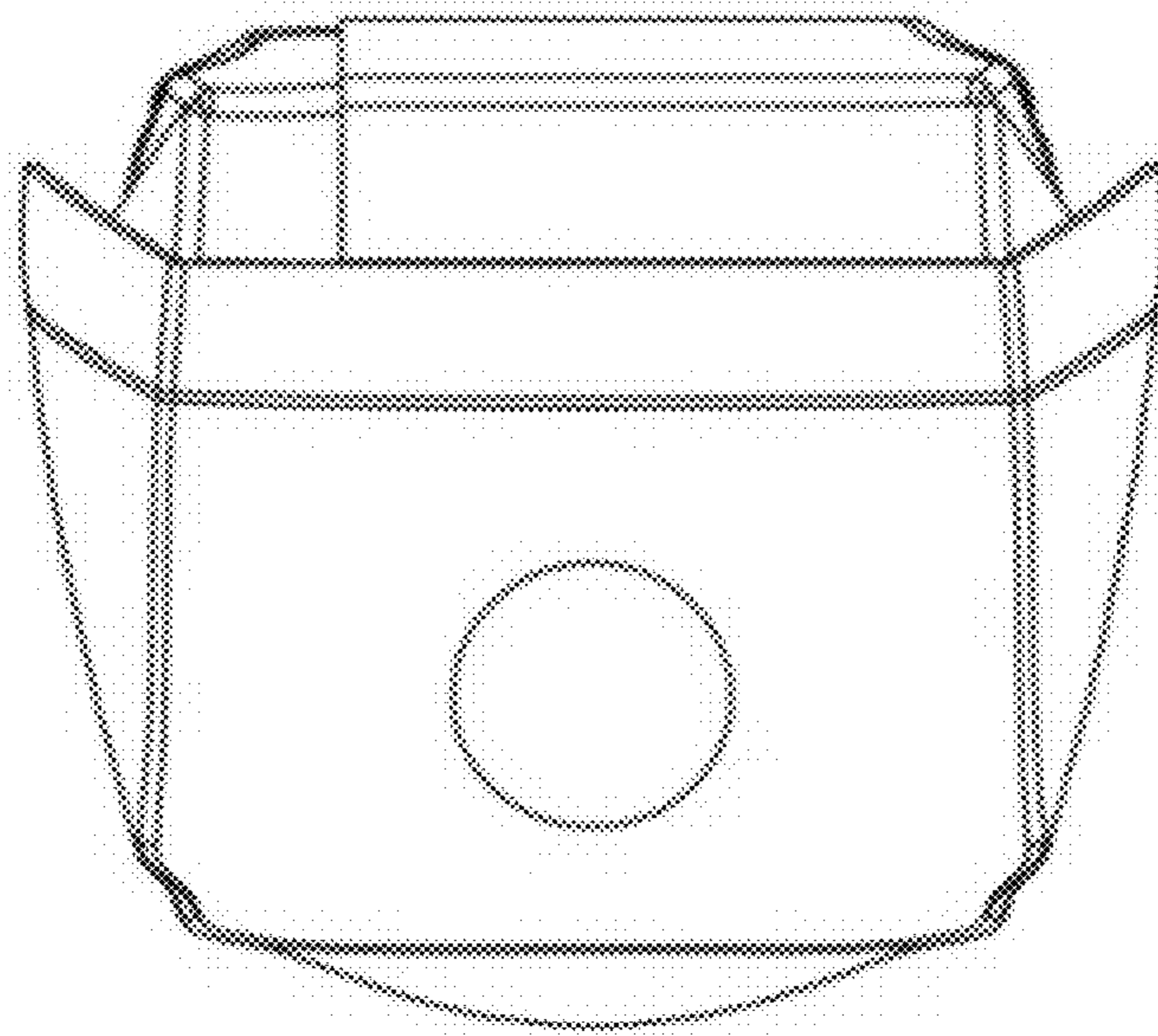
5.4



5.5



5.6



5.7

