



US00D844429S

(12) **United States Design Patent**  
**Chapps et al.**

(10) **Patent No.:** **US D844,429 S**

(45) **Date of Patent:** **\*\* Apr. 2, 2019**

(54) **PRODUCT PACKAGING**

(71) Applicant: **BOWERY FARMING INC.**, New York, NY (US)

(72) Inventors: **Scott Chapps**, Brooklyn, NY (US); **Jon Eng**, Brooklyn, NY (US); **Simon Endres**, Brooklyn, NY (US)

(73) Assignee: **BOWERY FARMING INC.**, New York, NY (US)

(\*\*) Term: **15 Years**

(21) Appl. No.: **29/616,110**

(22) Filed: **Sep. 1, 2017**

(51) **LOC (11) Cl.** ..... **09-03**

(52) **U.S. Cl.**  
USPC ..... **D9/425**

(58) **Field of Classification Search**  
USPC ..... D7/538-542, 602, 608, 629; D9/414, D9/420, 424-426, 429, 432, 761; 206/501-509; 220/781, 791, 793, 220/811-813, 835, 839  
CPC ..... B65D 1/24; B65D 25/04; B65D 43/03; B65D 43/16; B65D 43/0212  
See application file for complete search history.

(56) **References Cited**

**U.S. PATENT DOCUMENTS**

D598,740 S \* 8/2009 Auer ..... D9/424  
7,731,997 B2 \* 6/2010 Castellanos ..... B65D 1/34  
206/714

D636,258 S \* 4/2011 Freeman ..... D9/425  
D656,367 S \* 3/2012 Segal ..... D7/629  
D656,368 S \* 3/2012 Segal ..... D7/629  
D672,204 S \* 12/2012 Stamper ..... D7/602  
D719,019 S \* 12/2014 Avis ..... D9/424  
D760,035 S \* 6/2016 Kim ..... D7/629

\* cited by examiner

*Primary Examiner* — Derrick E Holland

*Assistant Examiner* — Janice Patyk

(74) *Attorney, Agent, or Firm* — Lando & Anastasi, LLP

(57) **CLAIM**

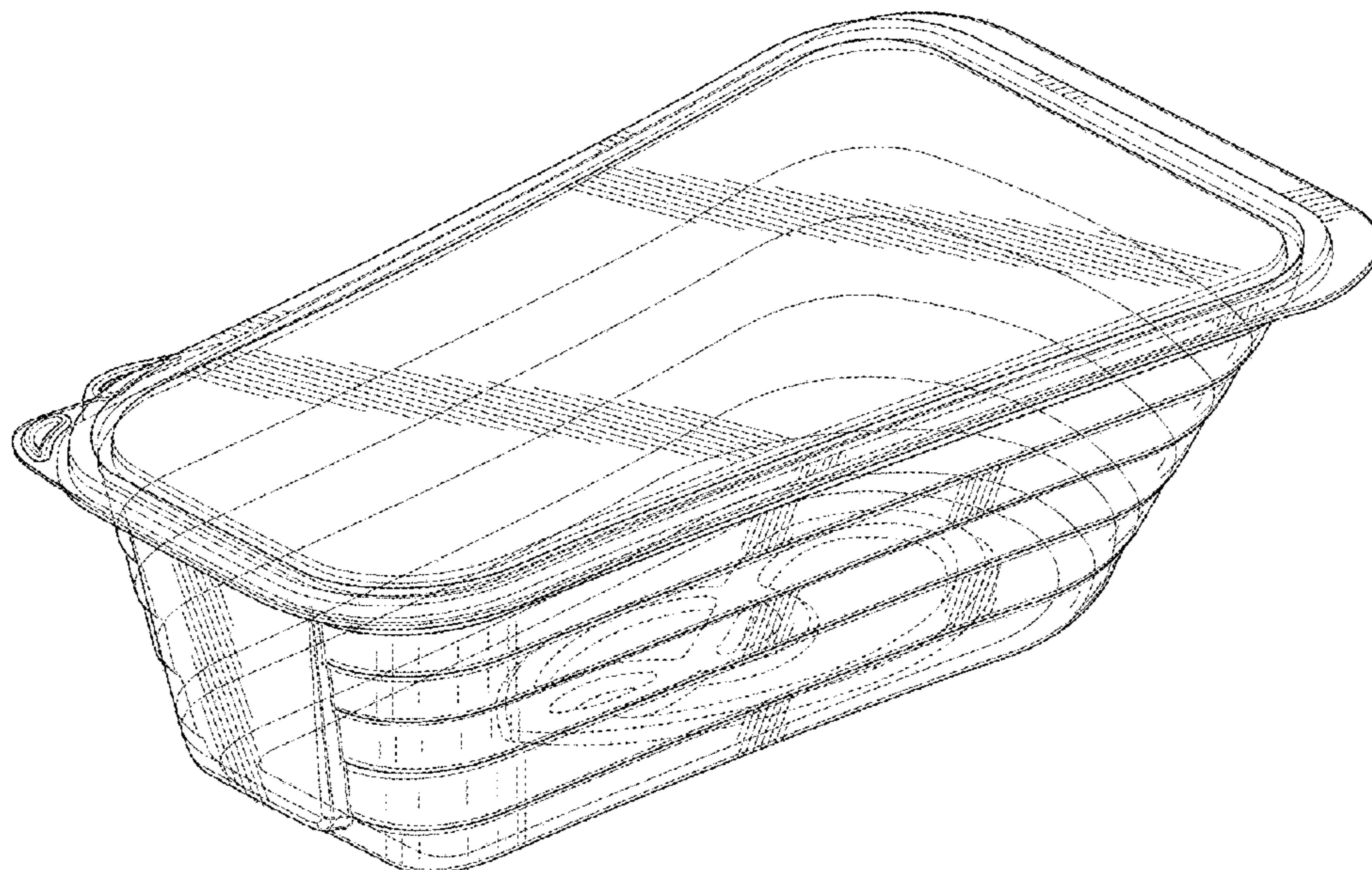
The ornamental design for a product packaging, as shown and described.

**DESCRIPTION**

FIG. 1 is a front and right side perspective view of a product packaging in accordance with the present disclosure; FIG. 2 is a front view thereof; FIG. 3 is a rear view thereof; FIG. 4 is a left side view thereof; FIG. 5 is a right side view thereof; FIG. 6 is a top view thereof; FIG. 7 is a bottom view thereof; and, FIG. 8 is an exploded front and right side perspective view thereof.

The broken lines in the figures illustrate the portions of the design that form no part of the claimed design.

**1 Claim, 6 Drawing Sheets**



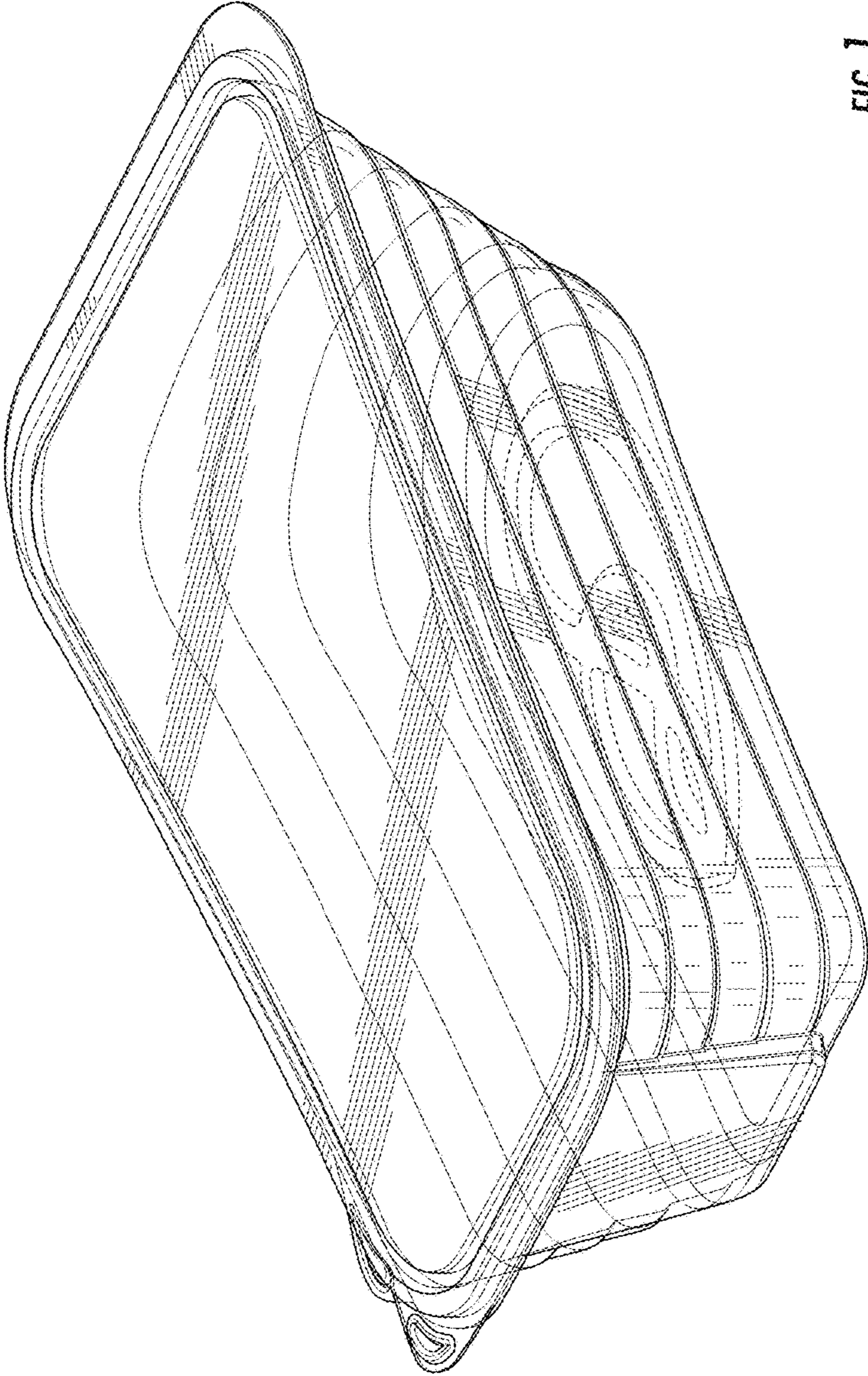


FIG. 1

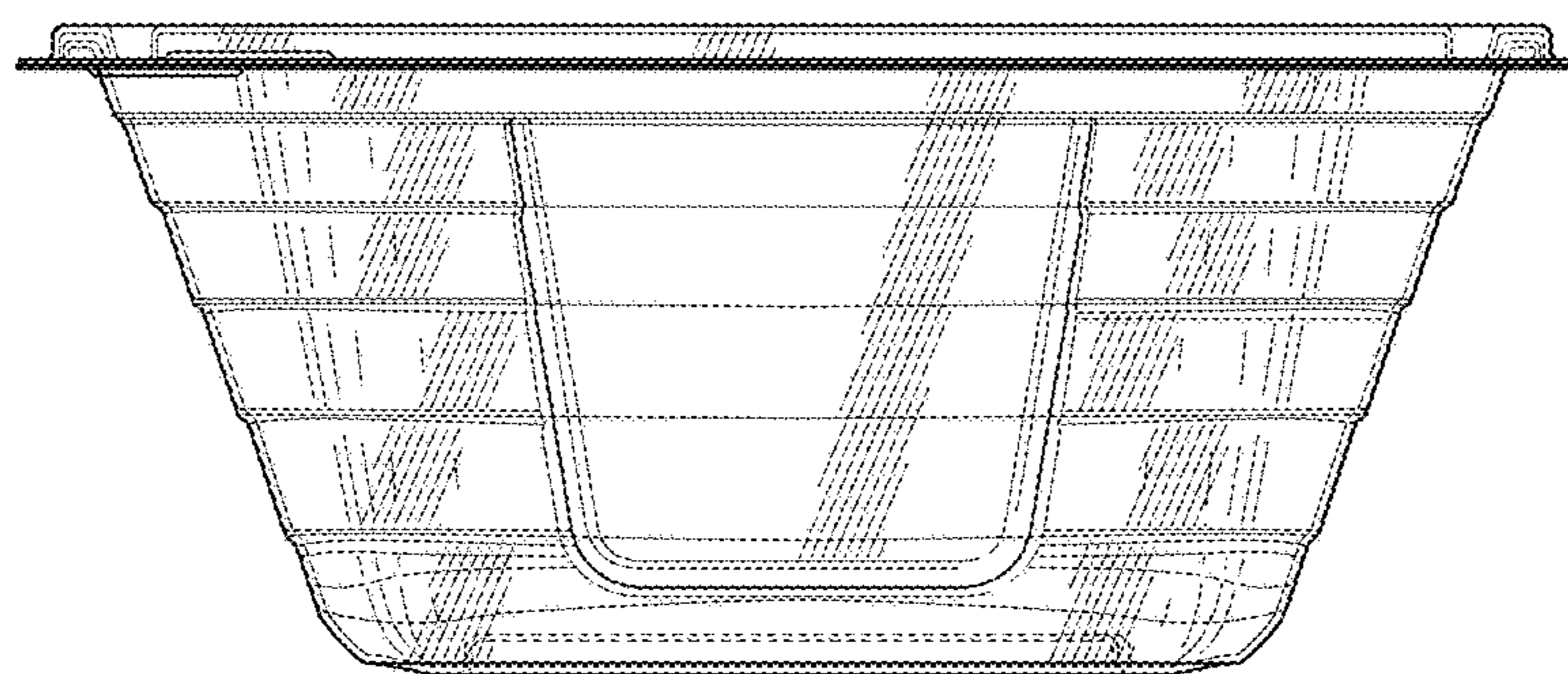


FIG. 2

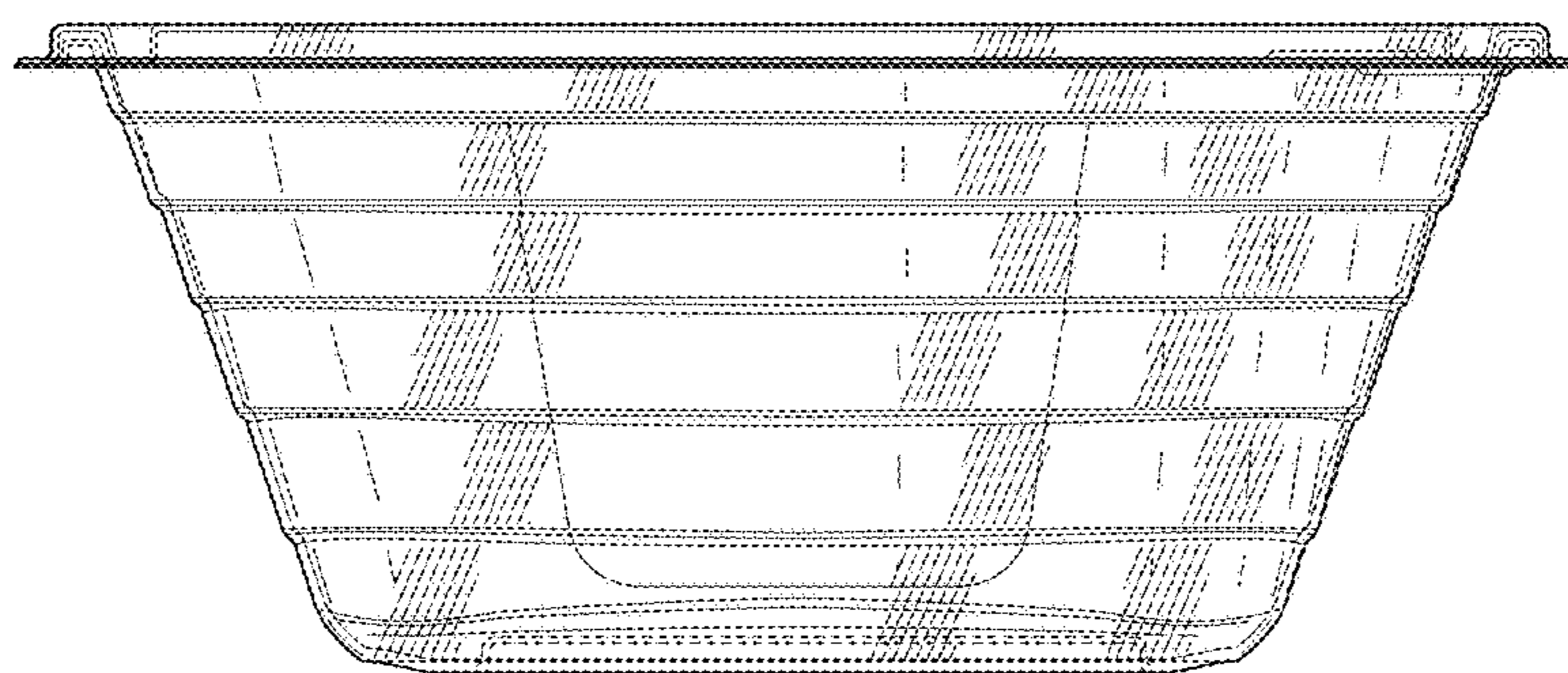


FIG. 3

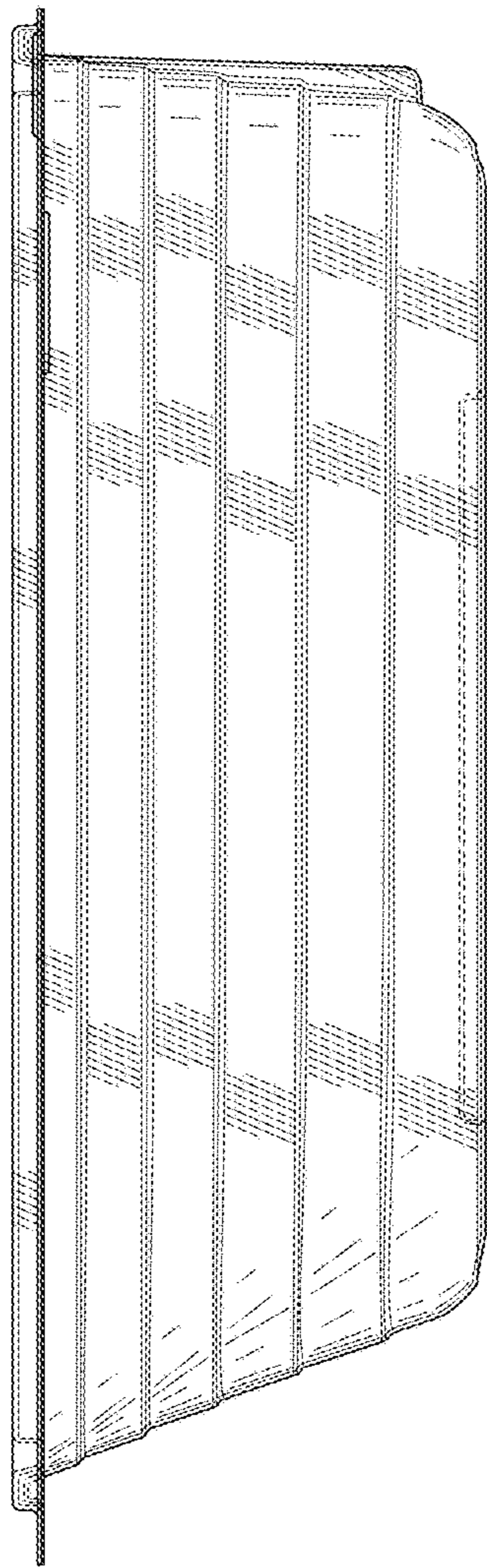


FIG. 4

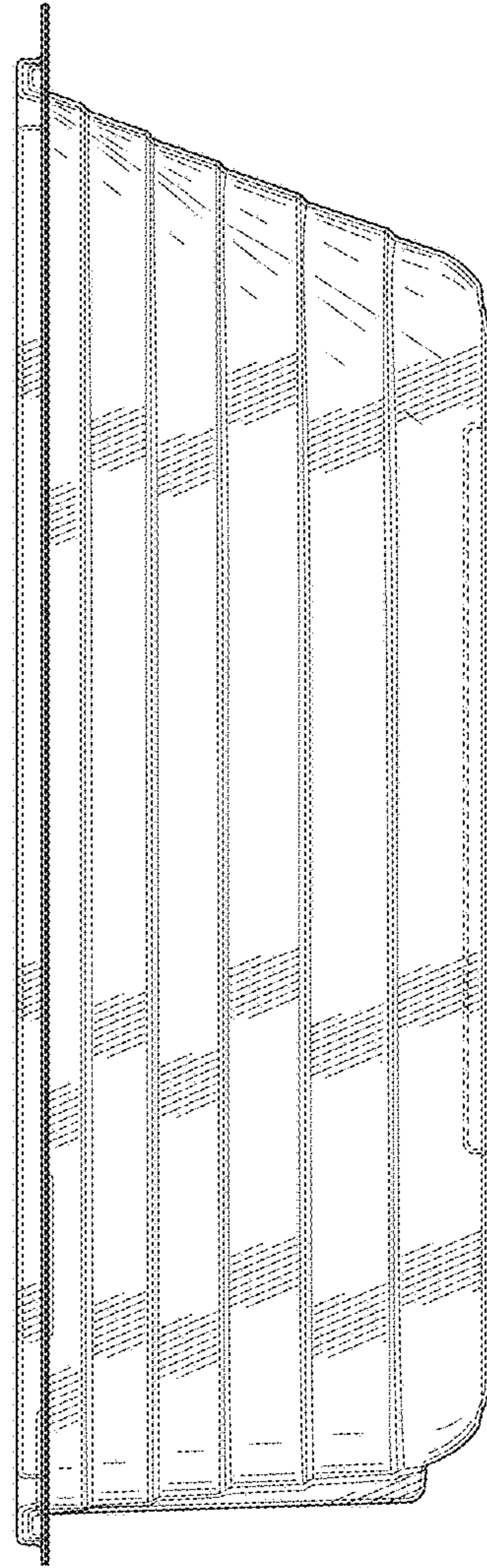


FIG. 5

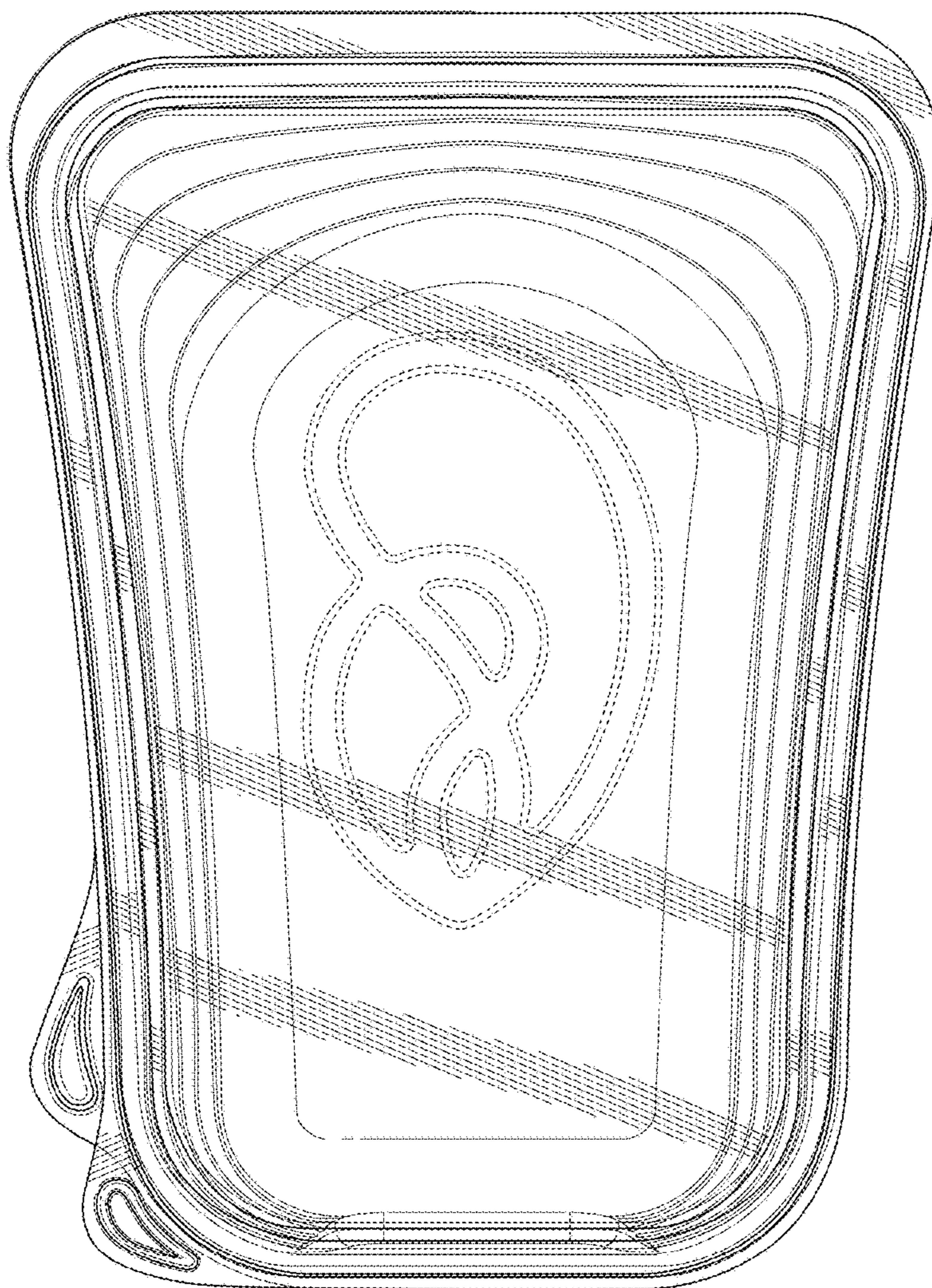


FIG. 6

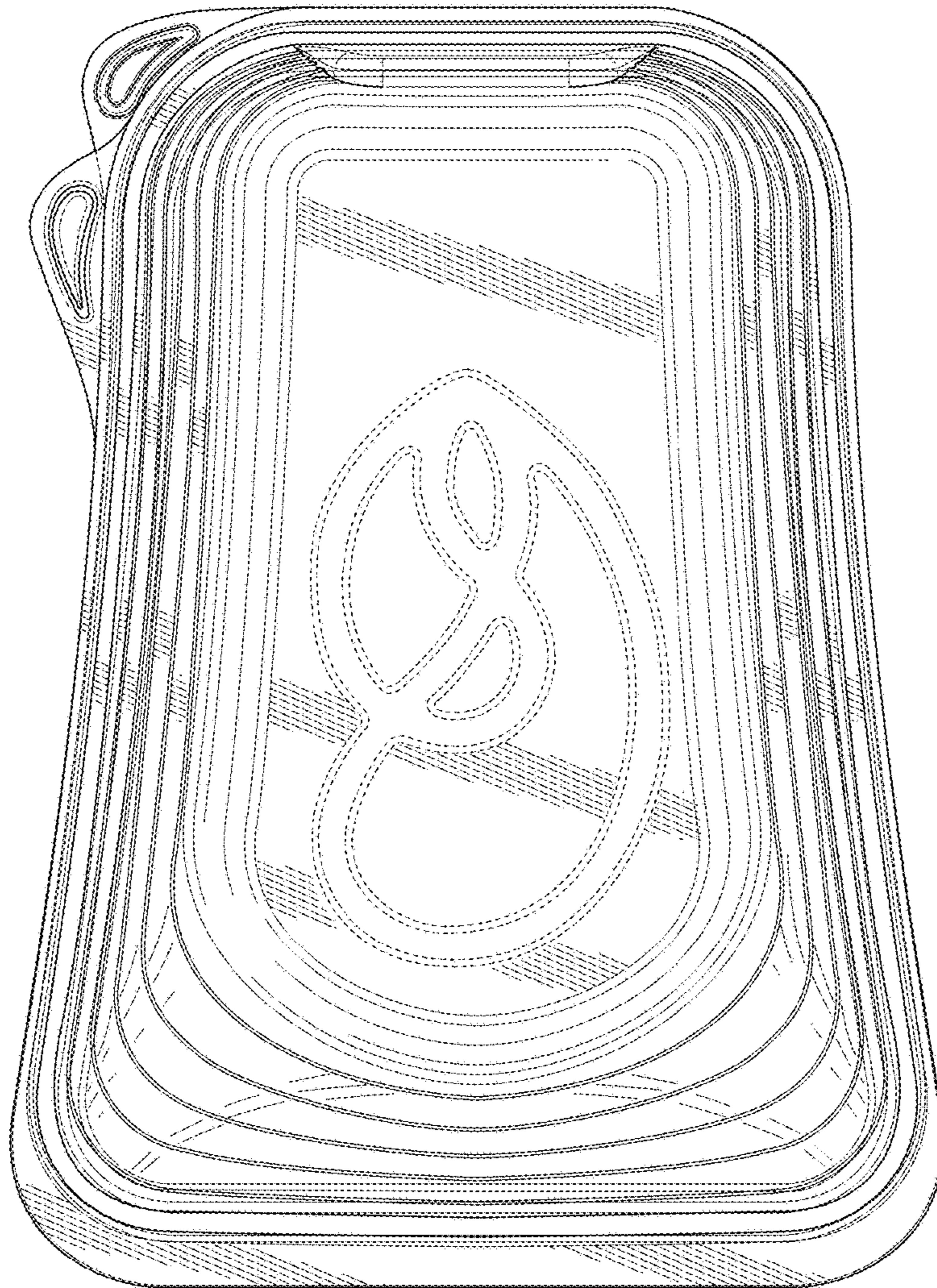


FIG. 7

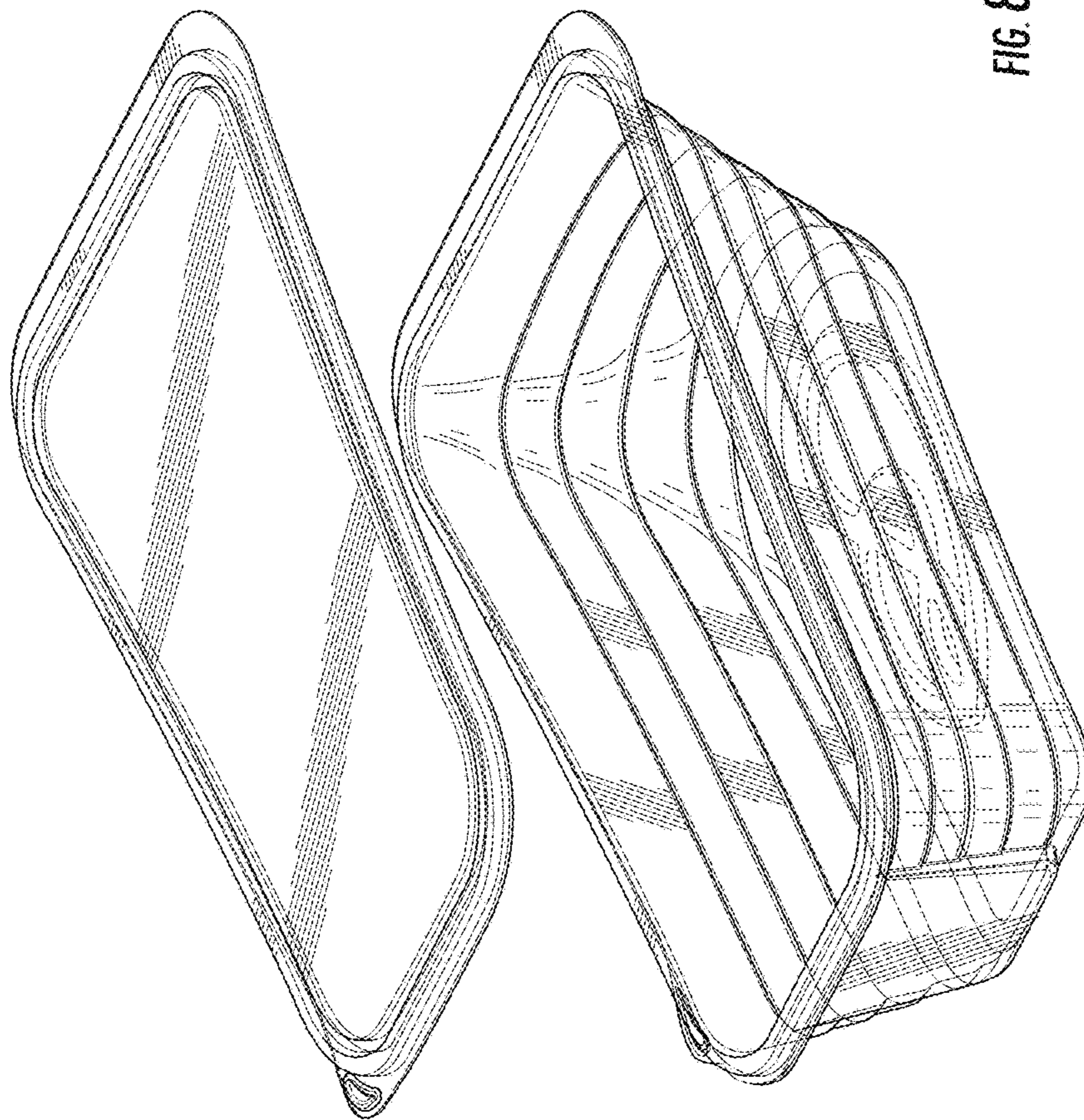


FIG. 8