



US00D844425S

(12) **United States Design Patent**  
**Olenick**

(10) **Patent No.:** **US D844,425 S**

(45) **Date of Patent:** **\*\* Apr. 2, 2019**

(54) **CLIP-ON BONDING WASHER**

3,992,897 A \* 11/1976 Loos ..... F24F 13/20  
62/262

(71) Applicant: **HUBBELL INCORPORATED**,  
Shelton, CT (US)

D280,973 S 10/1985 Ferrell  
4,993,959 A \* 2/1991 Randolph ..... H01R 4/64  
439/855

(72) Inventor: **Thomas Edmund Olenick**, Manchester,  
NH (US)

D363,453 S 10/1995 Herdt  
5,681,191 A 10/1997 Robicheau et al.  
(Continued)

(73) Assignee: **Hubbell Incorporated**, Shelton, CT  
(US)

**OTHER PUBLICATIONS**

(\*\*) Term: **15 Years**

Burndy/Wiley Wire Management; ACME Cable Clip page, (c) 2012  
Burndy LLC.

(21) Appl. No.: **29/627,491**

(Continued)

(22) Filed: **Nov. 28, 2017**

*Primary Examiner* — Cynthia R Underwood

(74) *Attorney, Agent, or Firm* — Dickinson Wright PLLC

**Related U.S. Application Data**

(62) Division of application No. 29/539,273, filed on Sep.  
11, 2015, now Pat. No. Des. 806,529, which is a  
division of application No. 29/450,142, filed on Mar.  
15, 2013, now Pat. No. Des. 740,113.

(57) **CLAIM**

The ornamental design for a clip-on bonding washer, as  
shown and described.

(51) **LOC (11) Cl.** ..... **08-08**

**DESCRIPTION**

(52) **U.S. Cl.**  
USPC ..... **D8/399**

(58) **Field of Classification Search**  
USPC ..... D8/397, 394, 382, 349, 399; 411/427,  
411/374  
CPC ..... A61B 17/0401; E04D 13/1476; E04G  
25/065; F16B 41/002; F16B 23/0061;  
F16B 37/14; F16B 35/00  
See application file for complete search history.

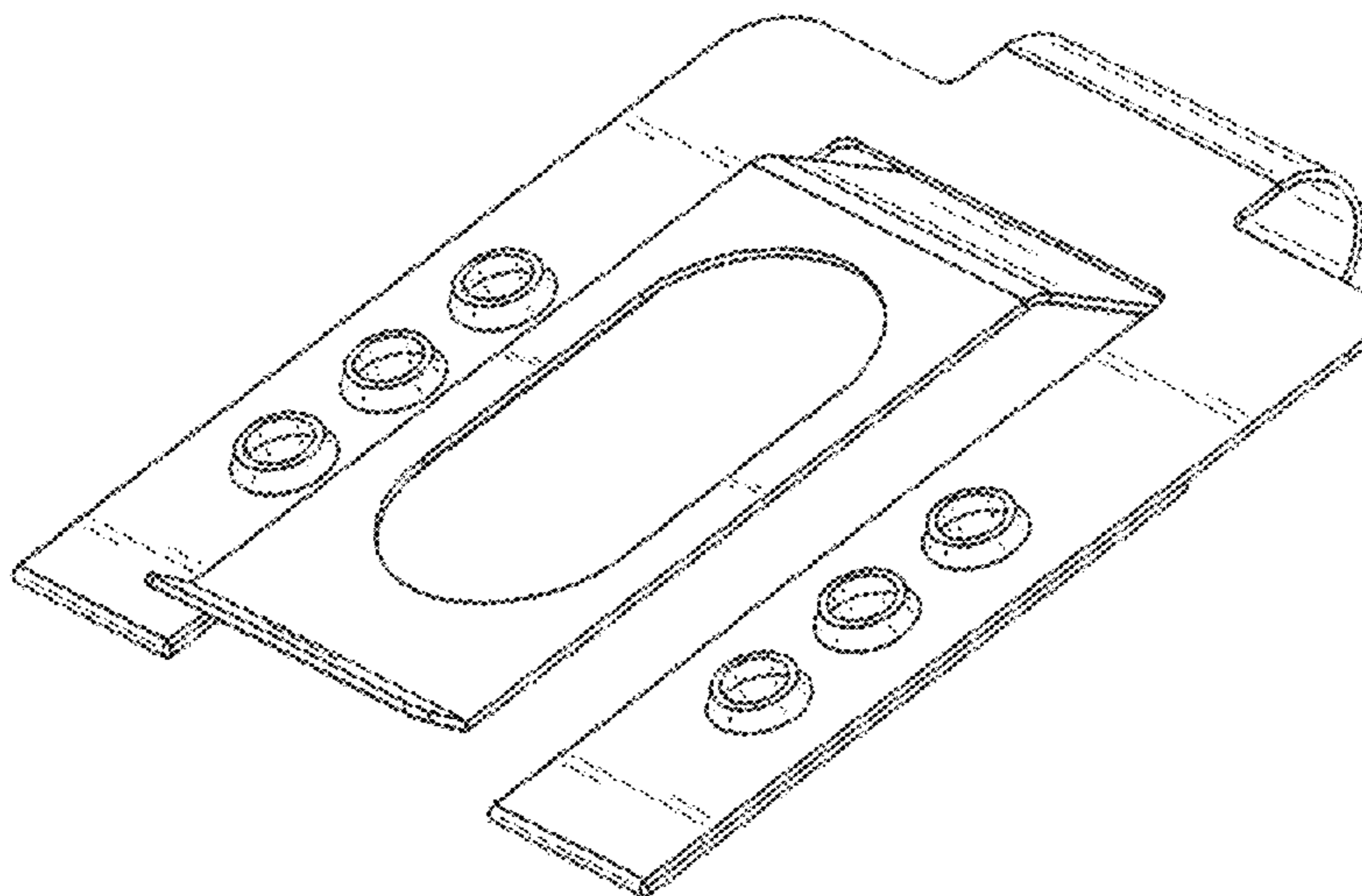
FIG. 1 is a perspective view of a clip-on bonding washer  
according to a first embodiment of the invention, taken from  
the top, front and right side thereof;  
FIG. 2 is a perspective view of the washer of FIG. 1 taken  
from the top, front and left side thereof;  
FIG. 3 is a perspective view of the washer of FIG. 1 taken  
from the bottom, front and right side thereof;  
FIG. 4 is a perspective view of the washer of FIG. 1 taken  
from the bottom, front and left side thereof;  
FIG. 5 is a top plan view of the washer of FIG. 1;  
FIG. 6 is a bottom plan view of the washer of FIG. 1;  
FIG. 7 is a right side elevational view of the washer of FIG.  
1, the opposite side being the mirror image of that shown;  
FIG. 8 is a front elevational view of the washer of FIG. 1;  
and,  
FIG. 9 is a rear elevational view of the washer of FIG. 1.

(56) **References Cited**

**U.S. PATENT DOCUMENTS**

881,757 A 3/1908 Winsor  
1,857,488 A \* 5/1932 Weeks ..... B42F 1/06  
150/137  
D220,424 S \* 4/1971 Hindenburg ..... D8/395  
3,810,069 A \* 5/1974 Jaconette, Jr. .... F16B 37/041  
439/97

**1 Claim, 5 Drawing Sheets**



(56)

**References Cited**

U.S. PATENT DOCUMENTS

D414,744	S	10/1999	Surinak	
6,106,310	A *	8/2000	Davis .....	H01R 4/26 439/92
6,276,947	B1	8/2001	Homfeldt et al.	
D459,302	S	6/2002	Malin	
6,457,218	B1	10/2002	Lawrence	
7,128,583	B2	10/2006	Tsuo	
D552,462	S	10/2007	Boyd et al.	
D570,247	S	6/2008	Hajianpour	
D577,977	S	10/2008	Hernandez	
D597,827	S	8/2009	Brassard	
D615,497	S	5/2010	Woodward	
D629,364	S	12/2010	Smith	
D651,569	S	1/2012	Kiely	
8,092,129	B2	1/2012	Wiley	
D657,316	S	4/2012	Kiely	
D668,214	S	10/2012	O'Brien	
D674,274	S	1/2013	Gasparino	

D696,570	S	12/2013	Mirer et al.	
D707,545	S	6/2014	Schopf	
D715,630	S	10/2014	Szymanski	
D715,631	S	10/2014	Szymanski	
D715,686	S	10/2014	Crafton et al.	
D716,137	S	10/2014	Szymanski	
D716,138	S	10/2014	Szymanski	
D756,208	S	5/2016	Downs	
D756,211	S	5/2016	Downs	
D786,042	S *	5/2017	Bridges .....	D8/14
9,826,810	B2 *	11/2017	Singer .....	A45C 1/06
D818,357	S *	5/2018	Cummings .....	D8/394
2002/0166497	A1	11/2002	Rae	
2008/0053517	A1	3/2008	Plaisted	
2017/0363124	A1 *	12/2017	Brown .....	F16B 2/12

OTHER PUBLICATIONS

Burndy/Wiley WEEB Installation Instructions; WEEB-9.5 and WEEB-935 NL, (c) 2012 Burndy LLC.

\* cited by examiner

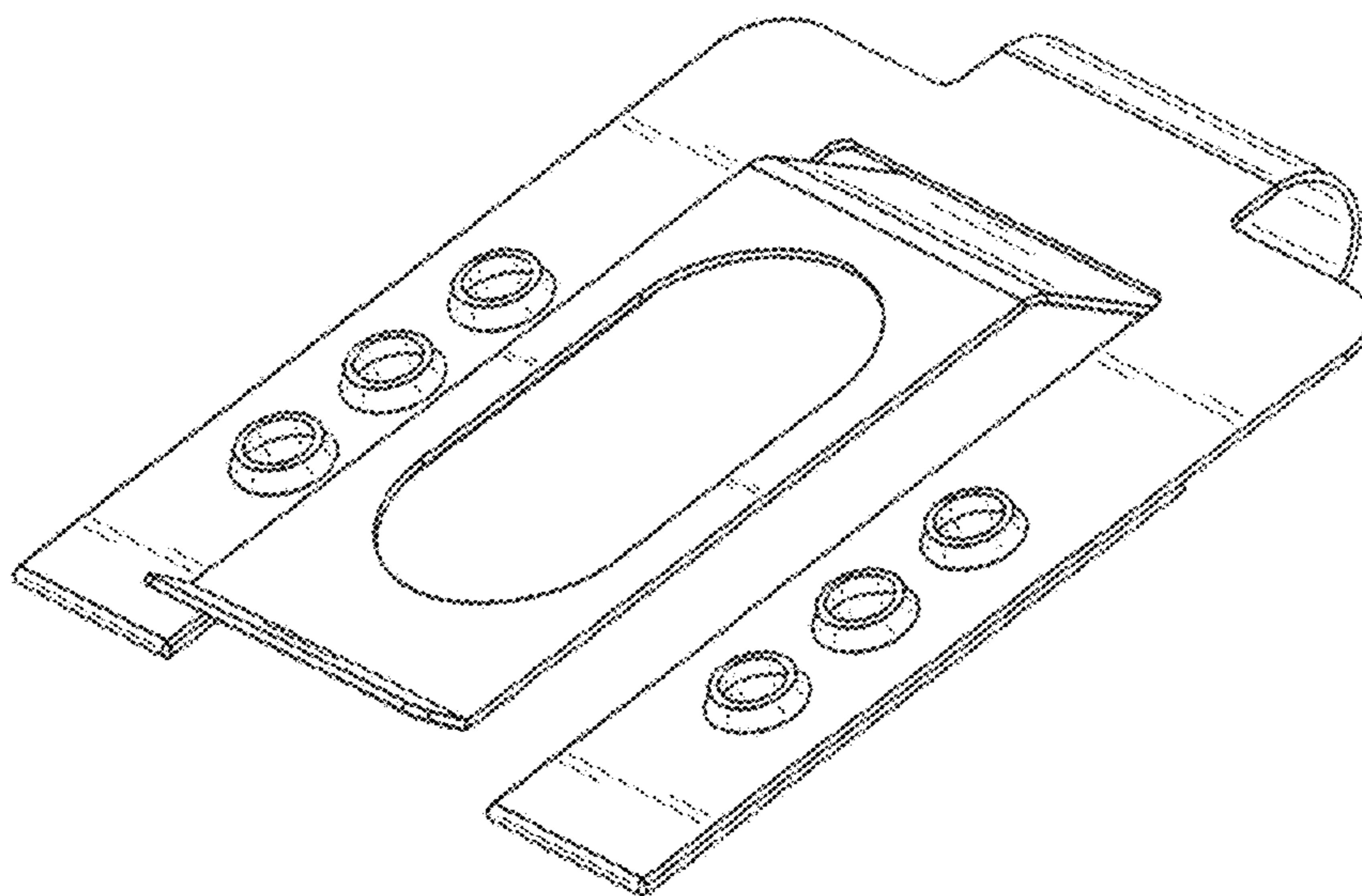


FIG. 1

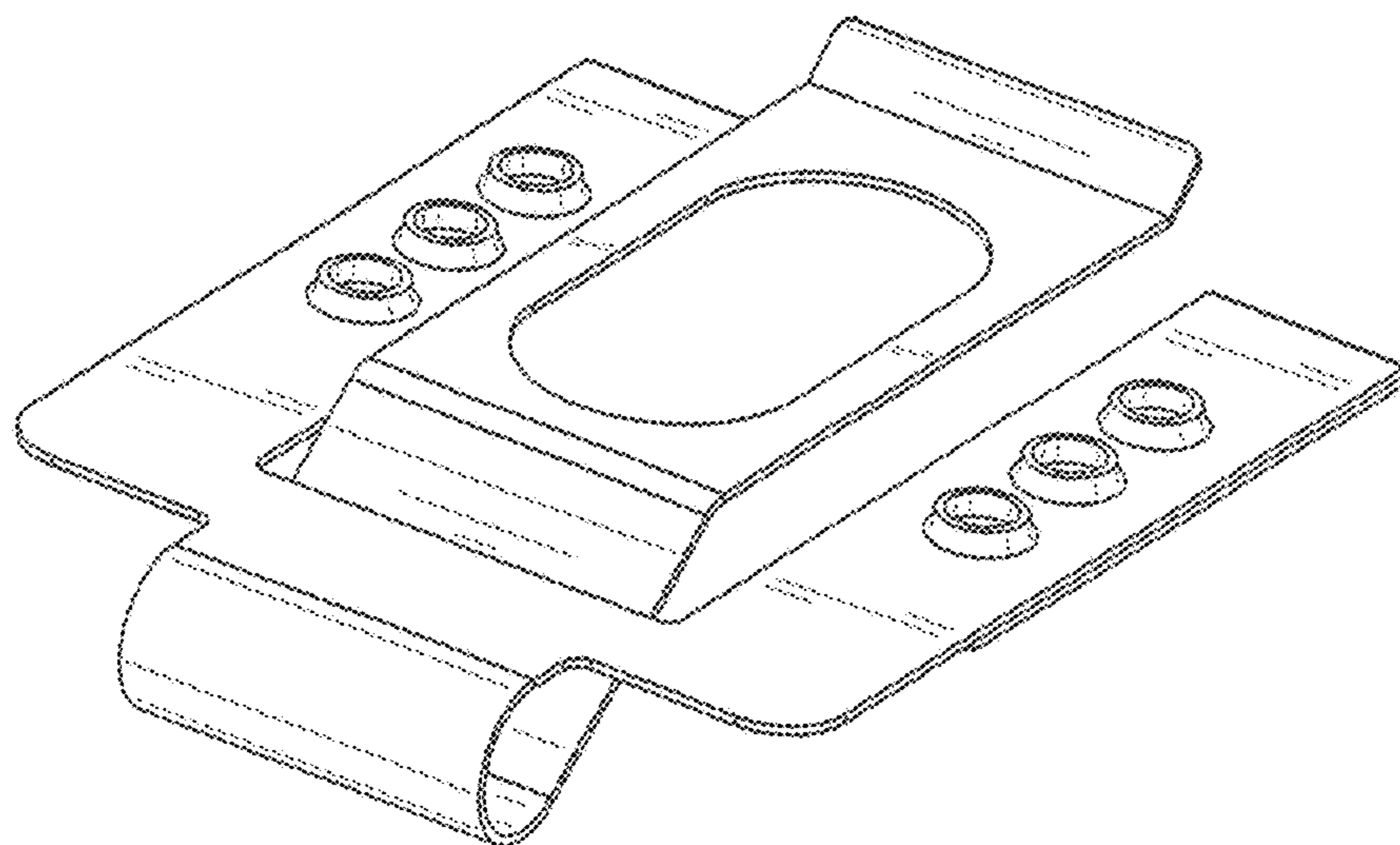


FIG. 2

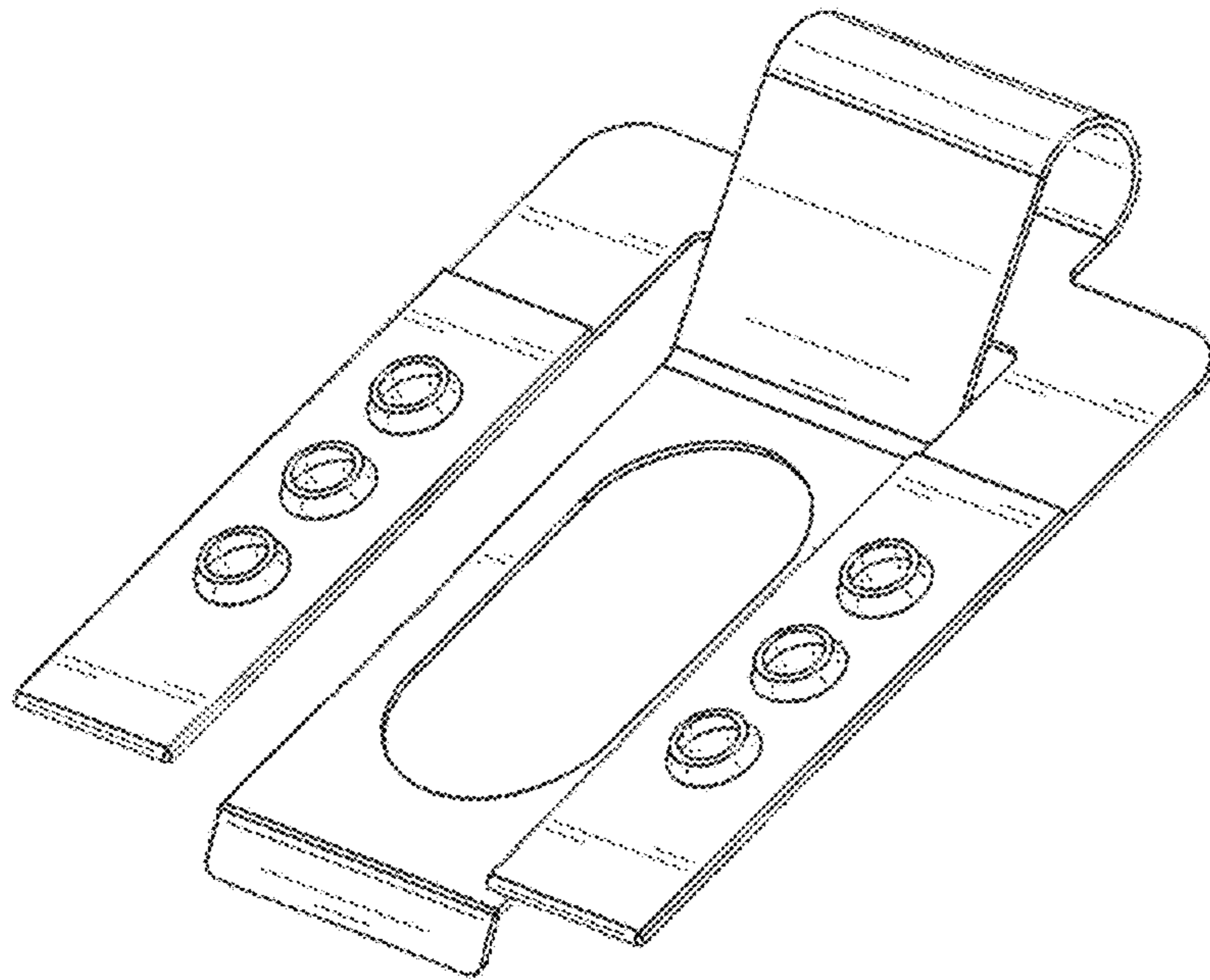


FIG. 3

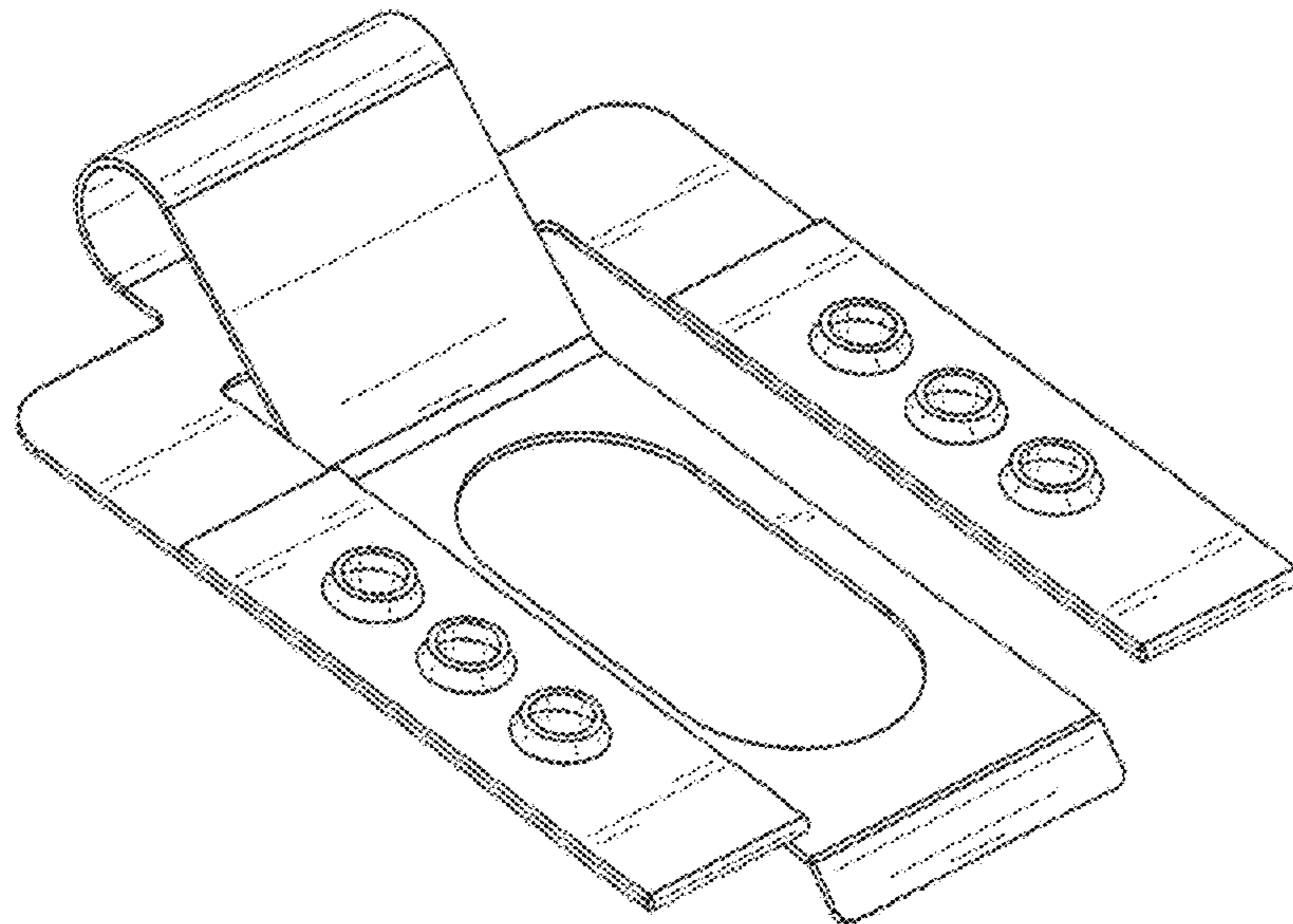


FIG. 4

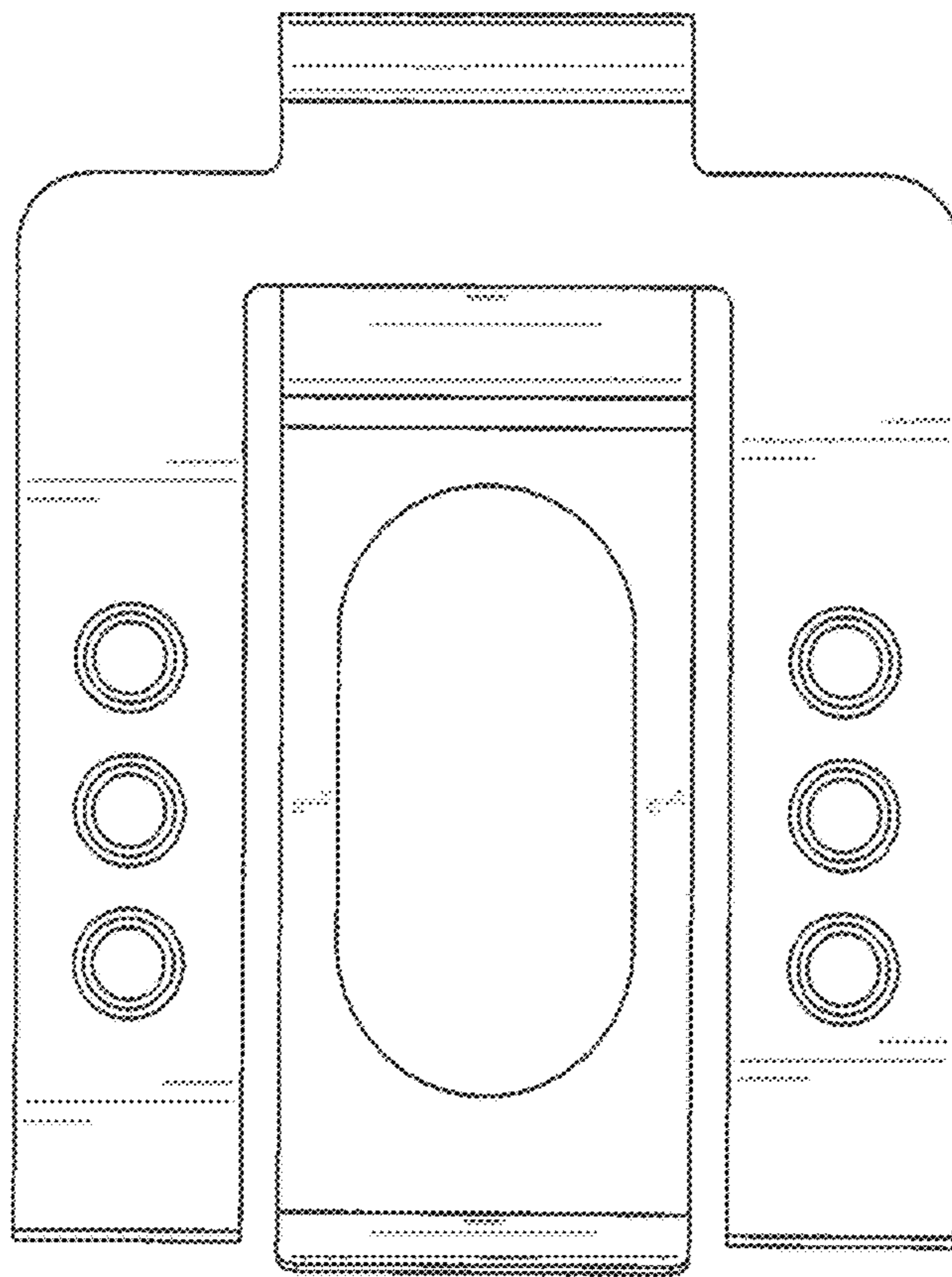


FIG. 5

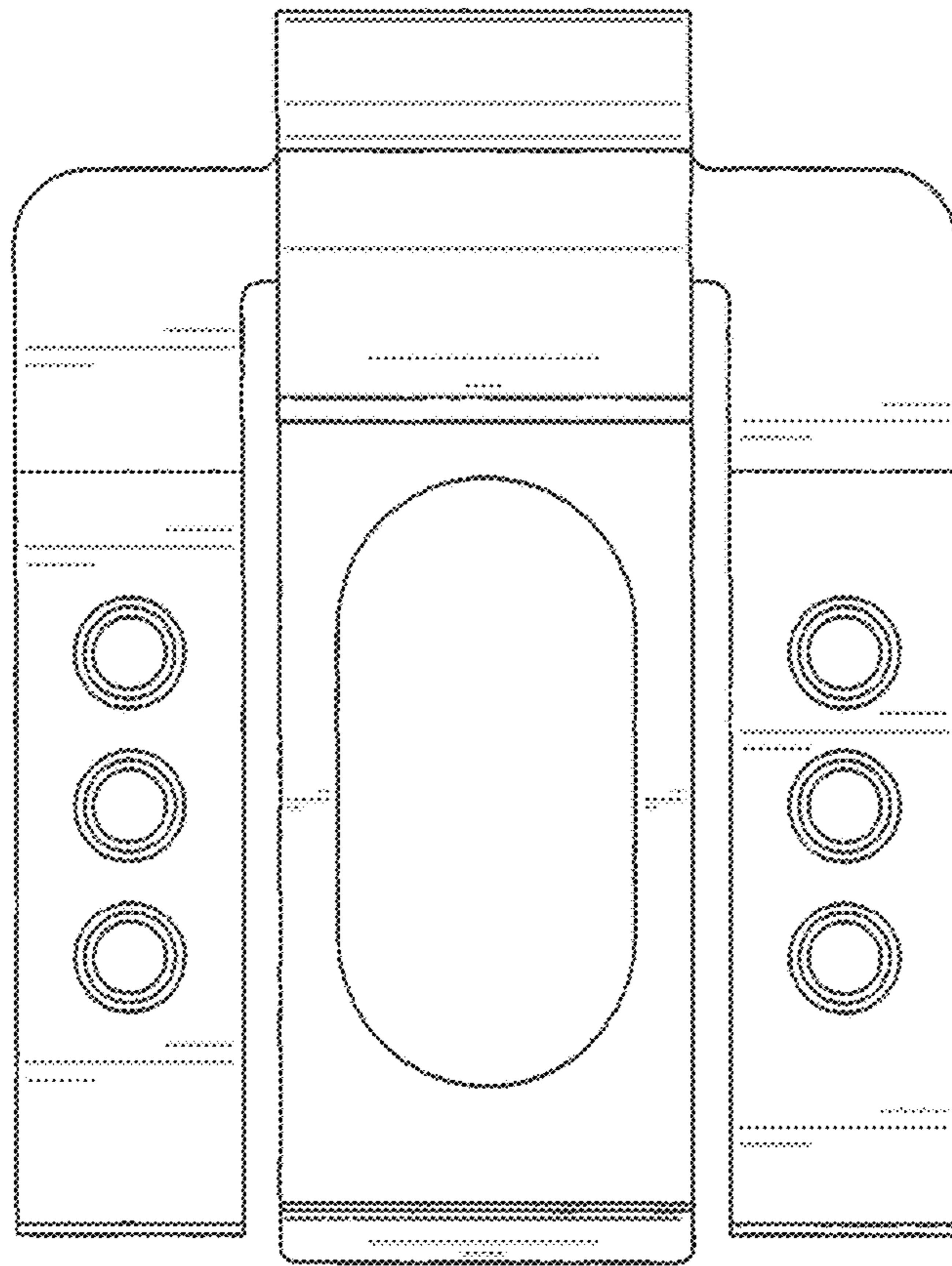


FIG. 6

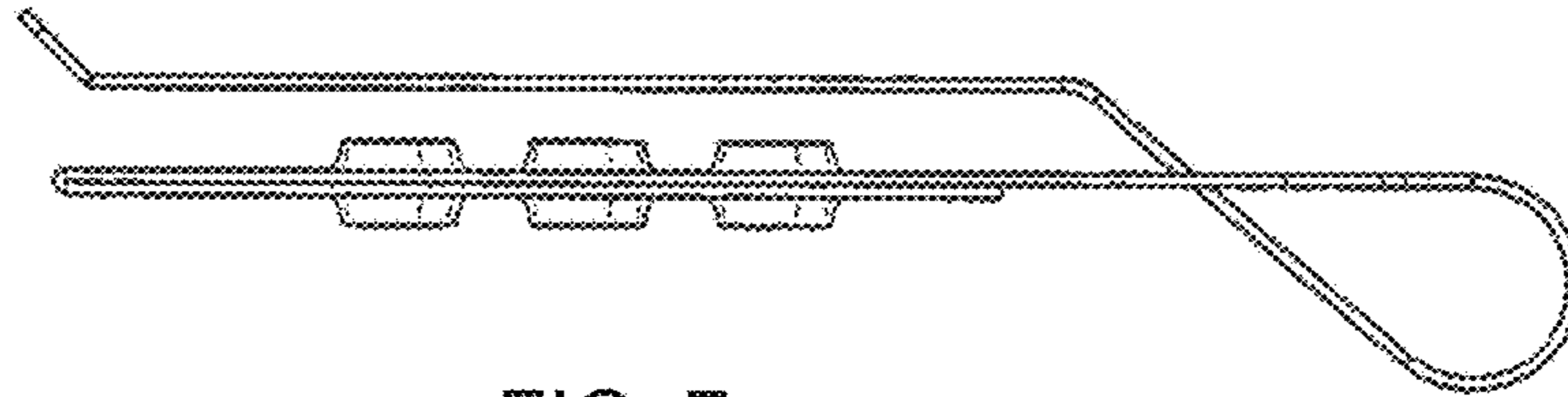


FIG. 7

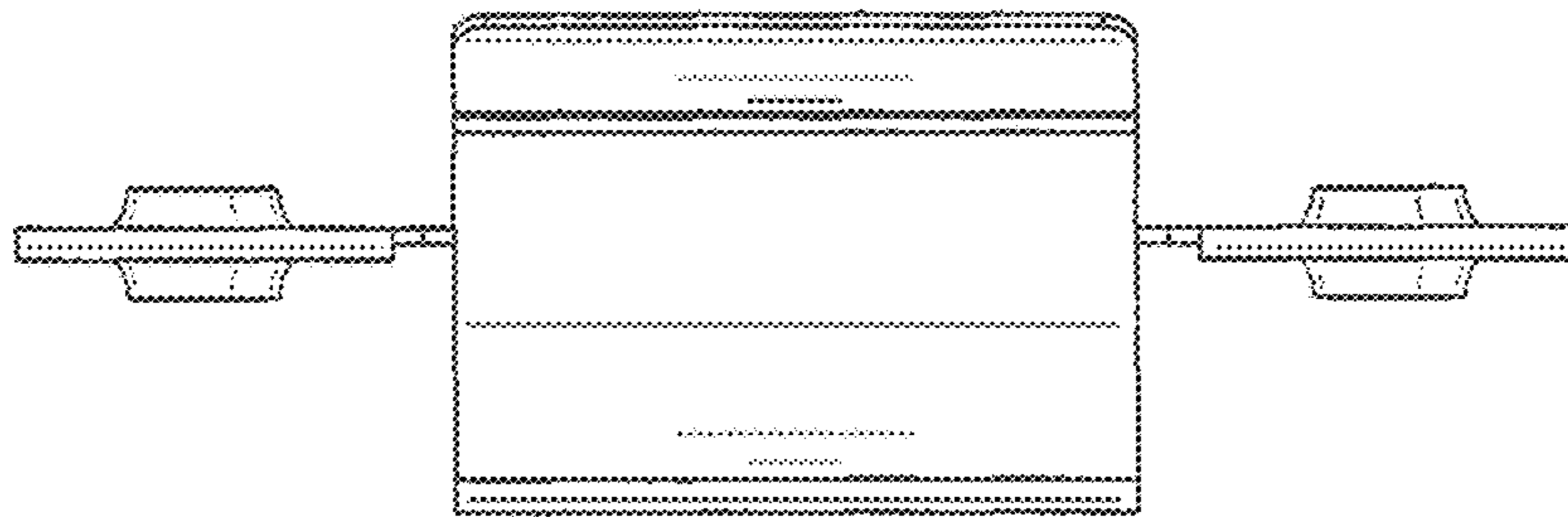


FIG. 8



FIG. 9