



US00D844424S

(12) **United States Design Patent** (10) **Patent No.:** **US D844,424 S**  
**MacDonald** (45) **Date of Patent:** **\*\* Apr. 2, 2019**

- (54) **ROOF COVER FASTENER** 4,520,606 A 6/1985 Francovitch  
 4,574,551 A 3/1986 Giannuzzi  
 (71) Applicant: **Celcore Incorporated**, Black Mountain, NC (US) 4,620,402 A 11/1986 Beneze  
 4,627,207 A 12/1986 Young et al.  
 4,658,558 A 4/1987 Verble  
 4,686,808 A 8/1987 Triplett  
 (72) Inventor: **William R. MacDonald**, Flagler Beach, FL (US) 4,708,559 A \* 11/1987 Locotos ..... F16B 43/00 405/259.1  
 4,726,164 A 2/1988 Reinwall et al.  
 4,727,699 A 3/1988 Sargent  
 4,751,802 A 6/1988 Whitman  
 4,777,775 A 10/1988 Verble  
 (\*\*) Term: **15 Years** (Continued)

**FOREIGN PATENT DOCUMENTS**

- (21) Appl. No.: **29/608,661** CN 301566358 \* 6/2011  
 (22) Filed: **Jun. 23, 2017** DE 4342262 C2 11/1995  
 (51) **LOC (11) Cl.** ..... **08-05** (Continued)  
 (52) **U.S. Cl.**

**OTHER PUBLICATIONS**

- (58) **Field of Classification Search** <http://www.bestmaterials.com/detail.aspx?ID=17660> Available Dec. 23, 2016 (Year: 2016).\*  
 USPC ..... **D8/399**  
 D8/382, 384, 385, 394, 395, 399; D25/48.3, 199  
 CPC .... F16B 25/0026; F16B 25/103; F16B 43/00; E04D 5/144; E04D 5/145; E04D 5/149; E04D 3/3603; E04B 7/00  
 See application file for complete search history.

*Primary Examiner* — Leanne Was-Englehart  
(74) *Attorney, Agent, or Firm* — Patentfile, LLC; Bradley C. Fach

**CLAIM**

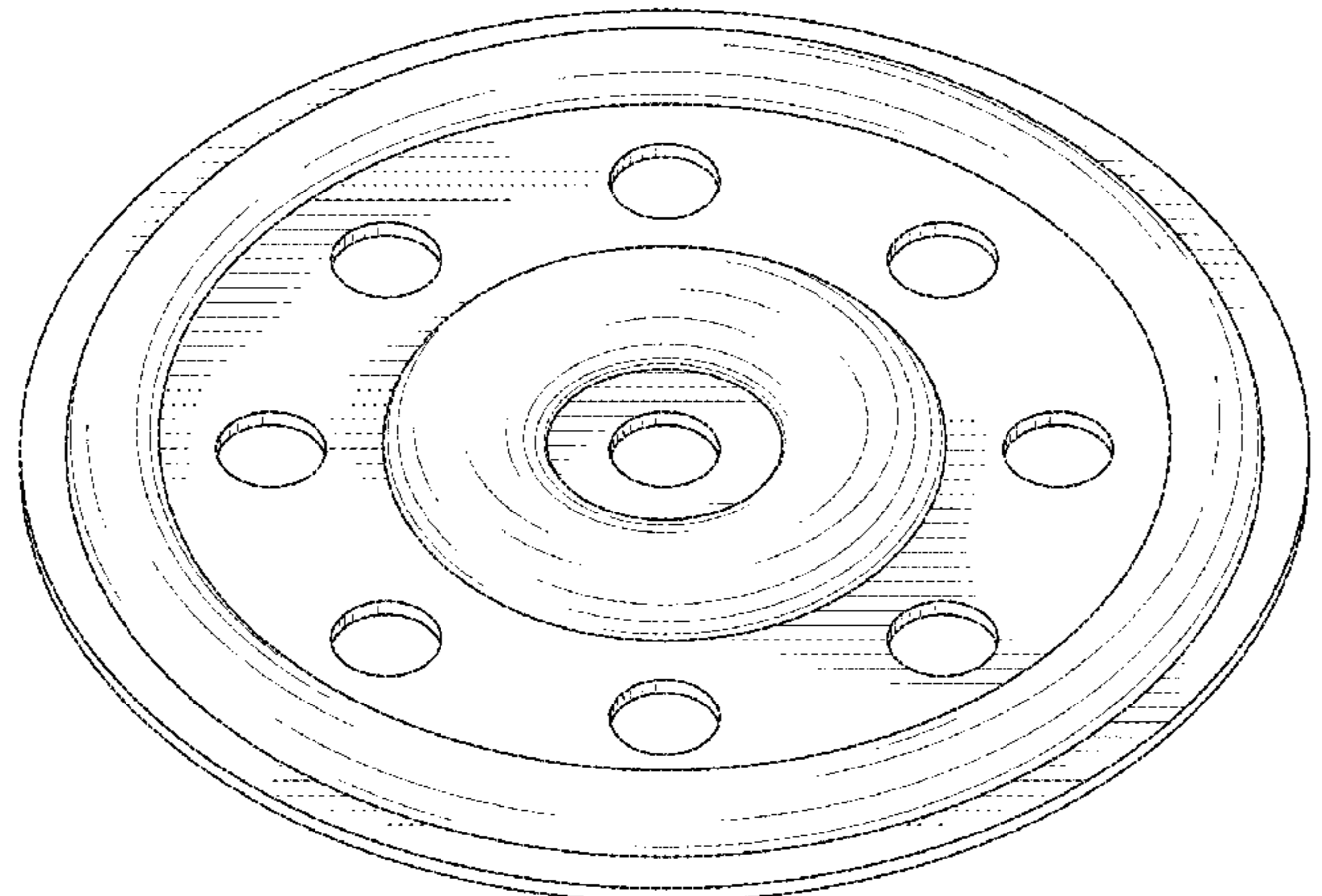
- (56) **References Cited** (57) **CLAIM**  
 U.S. PATENT DOCUMENTS The ornamental design for a roof cover fastener, as shown and described.

1,435,134 A 11/1922 Ernst  
 3,136,206 A \* 6/1964 Adams ..... F16B 39/24 411/546  
 D237,681 S \* 11/1975 Knohl et al. .... D8/391  
 4,282,050 A 8/1981 Thiis-Evensen  
 D263,678 S \* 4/1982 Dewey ..... 411/531  
 D263,927 S \* 4/1982 Dewey ..... 411/531  
 D263,928 S \* 4/1982 Dewey ..... 411/531  
 4,361,997 A 12/1982 DeCaro  
 D271,662 S \* 12/1983 Jones ..... D8/354  
 4,455,804 A 6/1984 Francovitch  
 4,467,581 A 8/1984 Francovitch  
 4,476,660 A 10/1984 Francovitch

**DESCRIPTION**

FIG. 1 is a front perspective view showing the new, original, and ornamental design of a roof cover fastener;  
FIG. 2 is a right side elevation view thereof, the left side, front side, and rear side elevation views all being a mirror image of the right side elevation view;  
FIG. 3 is a top plan view thereof; and,  
FIG. 4 is a bottom plan view thereof.

**1 Claim, 3 Drawing Sheets**



(56)

References Cited

U.S. PATENT DOCUMENTS

4,787,188 A 11/1988 Murphy  
 4,799,845 A 1/1989 Hrysko  
 4,907,927 A 3/1990 Choiniere  
 4,945,699 A 8/1990 Murphy  
 4,999,963 A 3/1991 Verble  
 5,018,329 A \* 5/1991 Hasan ..... E04D 3/3603  
 411/369  
 5,082,412 A 1/1992 Thomas  
 5,125,779 A \* 6/1992 Hallock ..... E04D 5/145  
 411/446  
 5,139,379 A 8/1992 Hasan et al.  
 5,242,736 A 9/1993 Erden et al.  
 5,267,423 A 12/1993 Giannuzzi  
 5,452,553 A \* 9/1995 Clapp ..... E04D 3/38  
 52/408  
 5,707,191 A 1/1998 Hempfling et al.  
 5,709,059 A 1/1998 Murphy et al.  
 5,778,623 A 7/1998 Powell  
 5,803,693 A \* 9/1998 Choiniere ..... E04D 5/145  
 405/302.1  
 5,908,278 A 6/1999 Hasan et al.  
 5,951,225 A 9/1999 Osterle et al.  
 6,095,737 A 8/2000 Barker et al.  
 6,205,730 B1 3/2001 Hasan et al.  
 6,665,991 B2 12/2003 Hasan  
 6,722,095 B2 4/2004 Kobetsky  
 6,952,902 B2 10/2005 Yaros  
 7,040,850 B2 5/2006 Gaudron  
 7,413,392 B2 8/2008 Nebesnak et al.  
 D586,207 S \* 2/2009 Giddings ..... D8/382  
 D590,702 S \* 4/2009 Giddings ..... D8/382

D636,503 S \* 4/2011 Parziale ..... D25/199  
 8,166,720 B2 5/2012 Garrigus et al.  
 D696,931 S \* 1/2014 Rodenhouse ..... D8/399  
 D696,932 S \* 1/2014 Rodenhouse ..... D8/399  
 8,631,629 B1 1/2014 Wiener  
 D739,039 S \* 9/2015 Gomes ..... D25/138  
 D748,973 S \* 2/2016 Rodenhouse ..... D8/399  
 D755,622 S \* 5/2016 Rodenhouse ..... D8/399  
 D781,175 S \* 3/2017 Jankowski ..... D11/200  
 2003/0033780 A1 \* 2/2003 Hasan ..... E04D 5/14  
 52/410  
 2004/0148888 A1 8/2004 Kuhn et al.  
 2004/0168396 A1 9/2004 Kuhn et al.  
 2004/0170489 A1 9/2004 Nebesnak et al.  
 2005/0166503 A1 8/2005 Panasik  
 2005/0183348 A1 8/2005 Kuhn et al.  
 2006/0185289 A1 8/2006 Gong et al.  
 2007/0224389 A1 \* 9/2007 Panasik ..... E04D 3/3603  
 428/131  
 2010/0233416 A1 9/2010 Parziale  
 2017/0191519 A1 \* 7/2017 MacDonald ..... F16B 25/0026

FOREIGN PATENT DOCUMENTS

DE 4207445 C2 9/1996  
 DE 202012006047 U1 8/2012  
 EP 0276708 B1 10/1990  
 EP 0467070 B1 12/1994  
 FR 2675529 10/1992  
 GB 2142108 A 1/1985  
 JP 2015531439 2/2015  
 WO 1996011311 A1 4/1996  
 WO 2009090332 A1 7/2009

\* cited by examiner

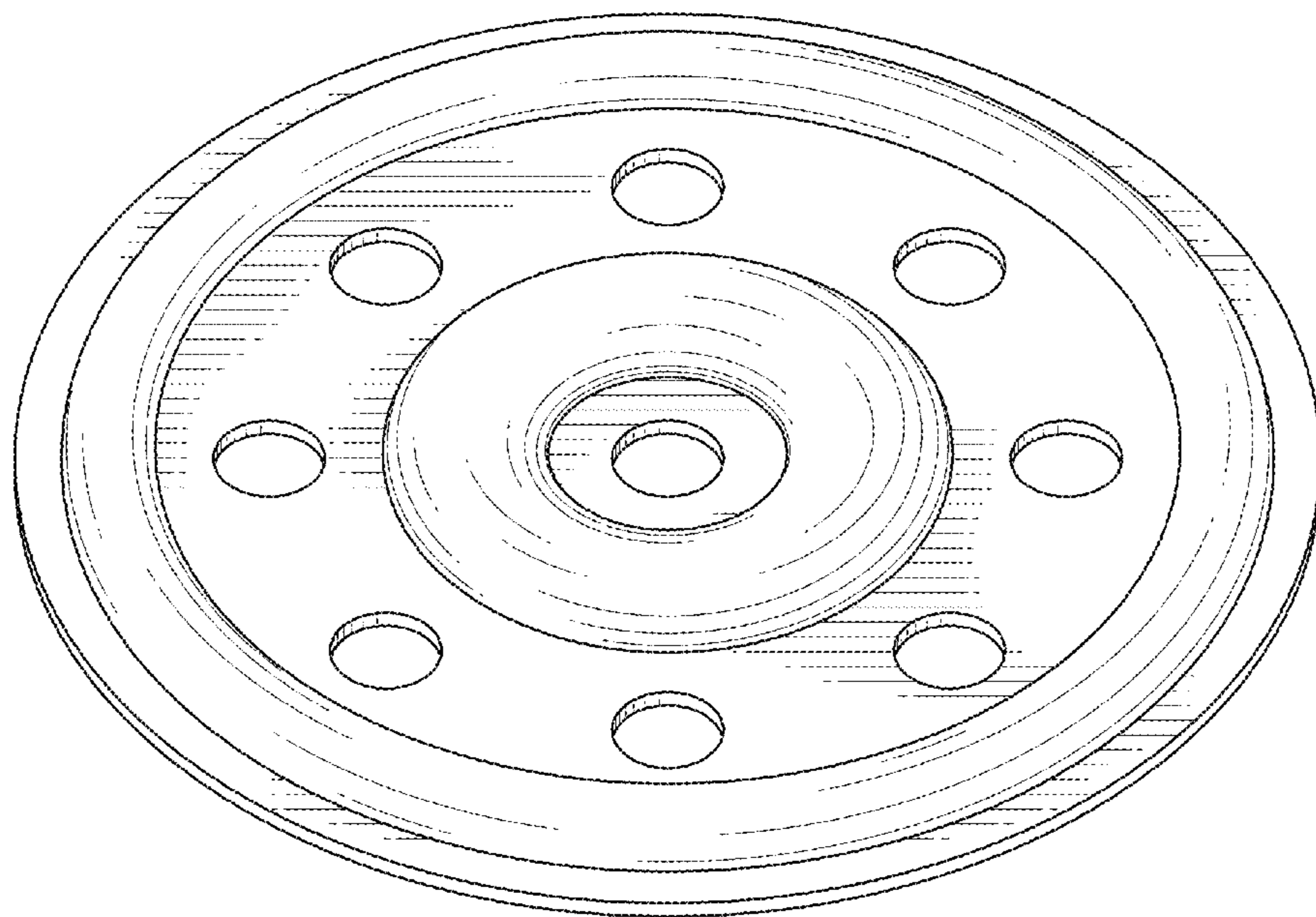


FIG. 1

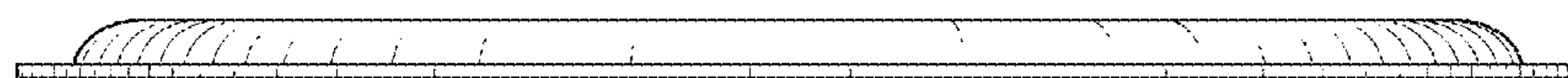


FIG. 2

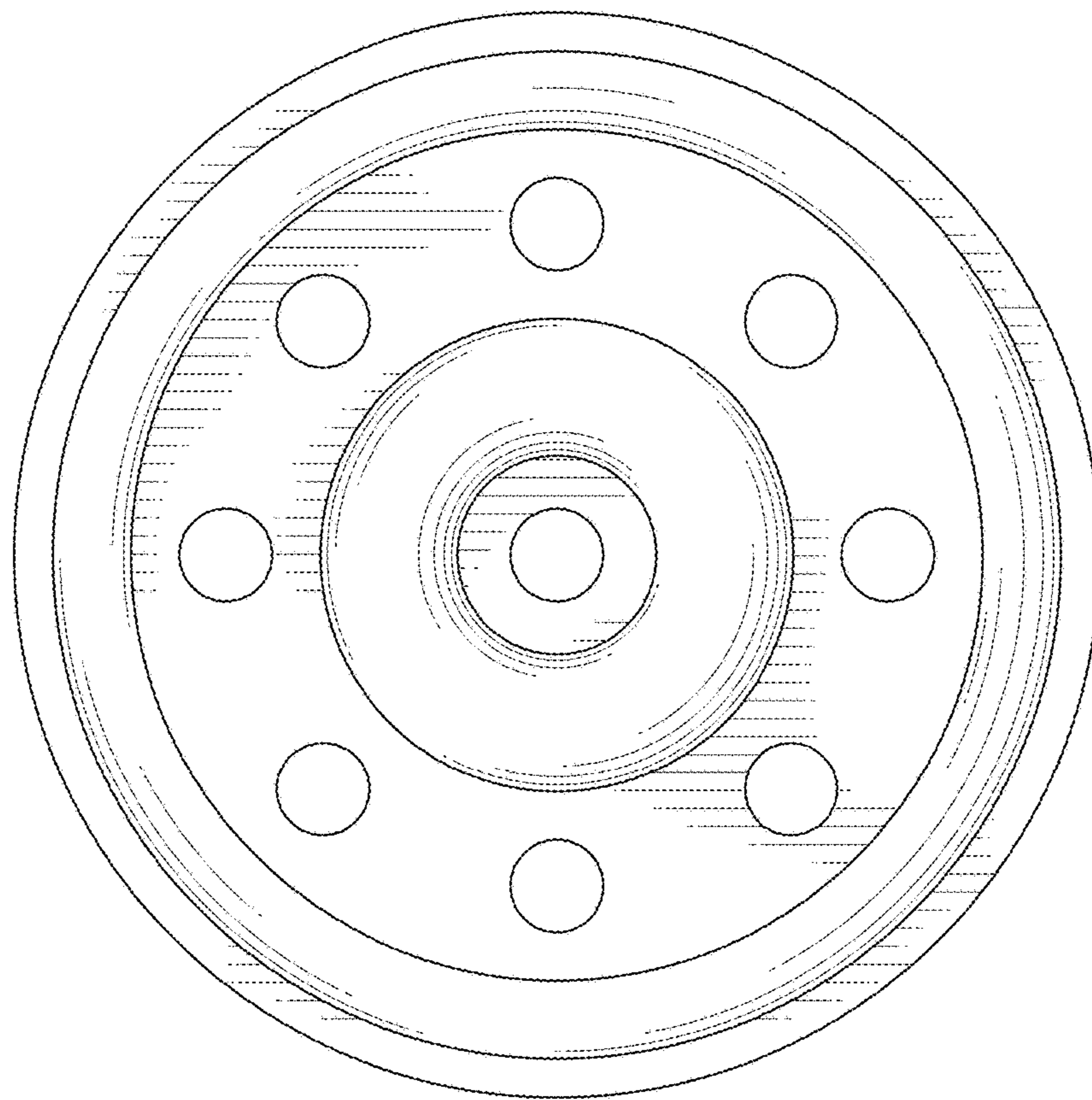


FIG. 3

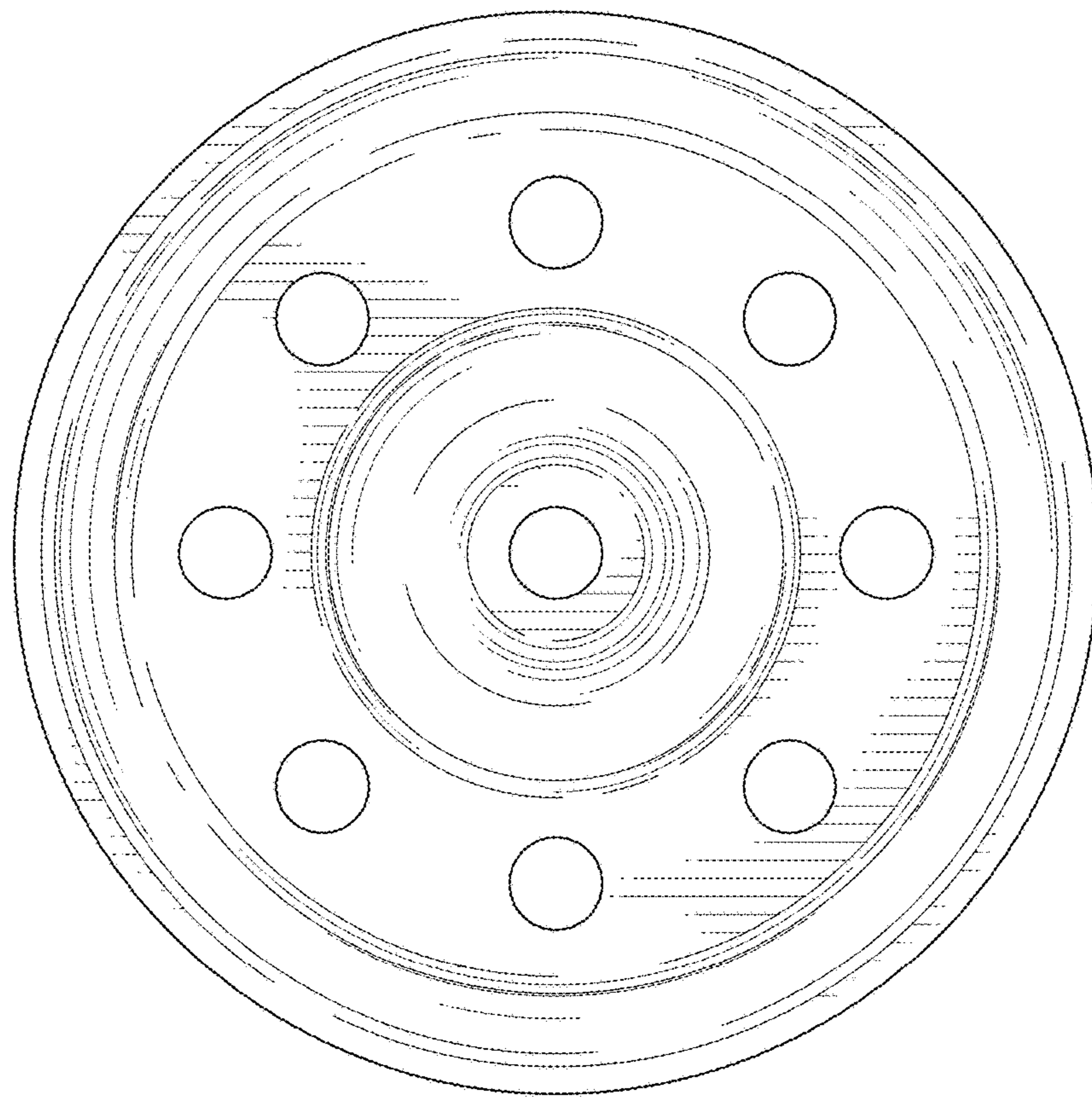


FIG. 4