



US00D844421S

(12) **United States Design Patent** (10) **Patent No.:** **US D844,421 S**
McClure (45) **Date of Patent:** **** Apr. 2, 2019**

(54) **SINGLE SIDED FASTENER**
(71) Applicant: **Centrix Inc.**, Kent, WA (US)
(72) Inventor: **Travis McClure**, Kirkland, WA (US)
(73) Assignee: **Centrix Aero, LLC**, Kent, WA (US)
(**) Term: **15 Years**
(21) Appl. No.: **29/628,967**
(22) Filed: **Dec. 8, 2017**

5,065,490 A 11/1991 Wivagg et al.
5,300,108 A 4/1994 Rebell et al.
5,704,752 A 1/1998 Logerot
(Continued)

FOREIGN PATENT DOCUMENTS

CN 103562473 A 2/2014
GB 413403 A 7/1934
(Continued)

OTHER PUBLICATIONS

ISA United States Patent and Trademark Office, International Search Report and Written Opinion Issued in Application No. PCT/US2015/016457, dated May 18, 2015, WIPO, 6 pages.
(Continued)

Primary Examiner — Sandra S Snapp
Assistant Examiner — Ieisha N Price
(74) *Attorney, Agent, or Firm* — McCoy Russell LLP

Related U.S. Application Data

(63) Continuation of application No. 15/113,627, filed as application No. PCT/US2015/016457 on Feb. 18, 2015.
(51) **LOC (11) Cl.** **08-08**
(52) **U.S. Cl.**
USPC **D8/382**; D8/385; D8/387
(58) **Field of Classification Search**
USPC D8/385, 387, 388, 391, 393, 397, 349, D8/354, 382, 399
CPC F16B 15/02; F16B 23/00; F16B 23/003; F16B 23/0038; F16B 23/0046; F16B 35/041; F16B 35/044; F16B 35/06; F16B 37/145; Y10S 411/913
See application file for complete search history.

(57) **CLAIM**

The ornamental design for a single sided fastener, as shown and described.

DESCRIPTION

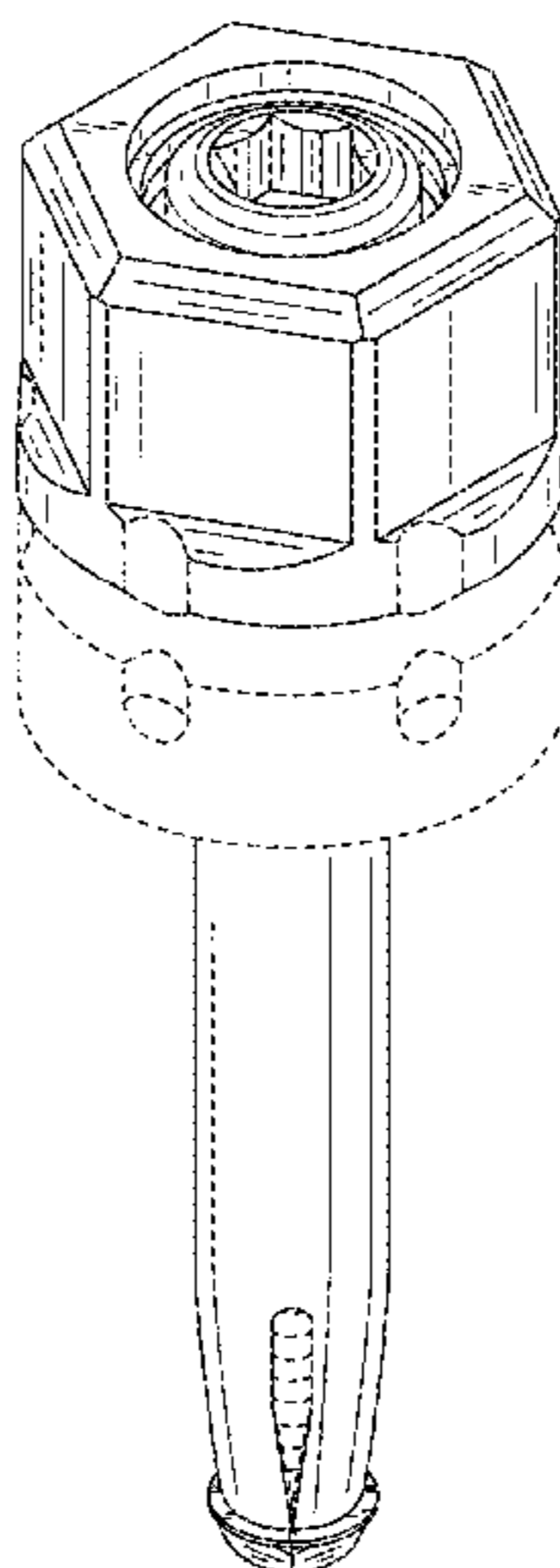
FIG. 1 is an isometric view of an ornamental design for a single sided fastener, according to the present disclosure. FIG. 2 is a front view of the single sided fastener of FIG. 1. The single sided fastener has rotational symmetry. Therefore the back view and the side views mirror the front view shown in FIG. 2; and, FIG. 3 is a top view of the single sided fastener of FIG. 1. The solid lines in FIGS. 1-3 illustrate a single sided fastener according to the present disclosure. The broken lines illustrate portions of the single sided fastener and form no part of the claimed design.

(56) **References Cited**

U.S. PATENT DOCUMENTS

1,978,935 A 10/1934 Douglas
2,370,336 A 2/1945 Wallace
2,379,786 A 7/1945 Bugg et al.
2,649,884 A 8/1953 Westover
2,775,155 A 12/1956 Tompkins et al.
2,936,015 A 5/1960 Rapata
2,994,242 A 8/1961 Buff et al.
3,469,493 A 9/1969 Fisher
4,269,106 A * 5/1981 Leibhard F16B 13/061
411/34

1 Claim, 2 Drawing Sheets



(56)

References Cited

U.S. PATENT DOCUMENTS

6,042,317 A *	3/2000	Fischer	F16B 15/00 411/447
6,287,044 B1	9/2001	Huber	
6,609,866 B2 *	8/2003	Huang	F16B 13/001 411/30
D542,644 S *	5/2007	Lee	D8/387
D548,579 S *	8/2007	Gaudron	F16B 13/065 D8/385
2007/0160442 A1 *	7/2007	Reynolds	F16B 15/00 411/451.1
2008/0175689 A1 *	7/2008	Vagedes	F16B 15/00 411/487
2009/0092462 A1 *	4/2009	Pratt	F16B 13/066 411/368
2009/0191021 A1	7/2009	Smith et al.	
2011/0008124 A1 *	1/2011	Niklewicz	B25B 31/005 411/80.6
2012/0230796 A1 *	9/2012	McClure	F16B 5/0258 411/80.1
2013/0039716 A1	2/2013	McClure	
2015/0007523 A1 *	1/2015	McPheeters	F16B 37/14 52/741.1
2017/0234348 A1 *	8/2017	McClure	F16B 19/109 411/49

FOREIGN PATENT DOCUMENTS

GB	1548964 A	7/1979
GB	2347170 A	8/2000
JP	H1151018 A	2/1999
WO	02101248 A1	12/2002
WO	2010027439 A2	3/2010

OTHER PUBLICATIONS

State Intellectual Property Office of the People's Republic of China, Office Action and Search Report Issued in Application No. 201580008969.6, dated Jun. 30, 2017, 13 pages. (Submitted with Partial Translation).

European Patent Office, Extended European Search Report Issued in Application No. 15755019.5, dated Sep. 22, 2017, Germany, 7 pages.

* cited by examiner

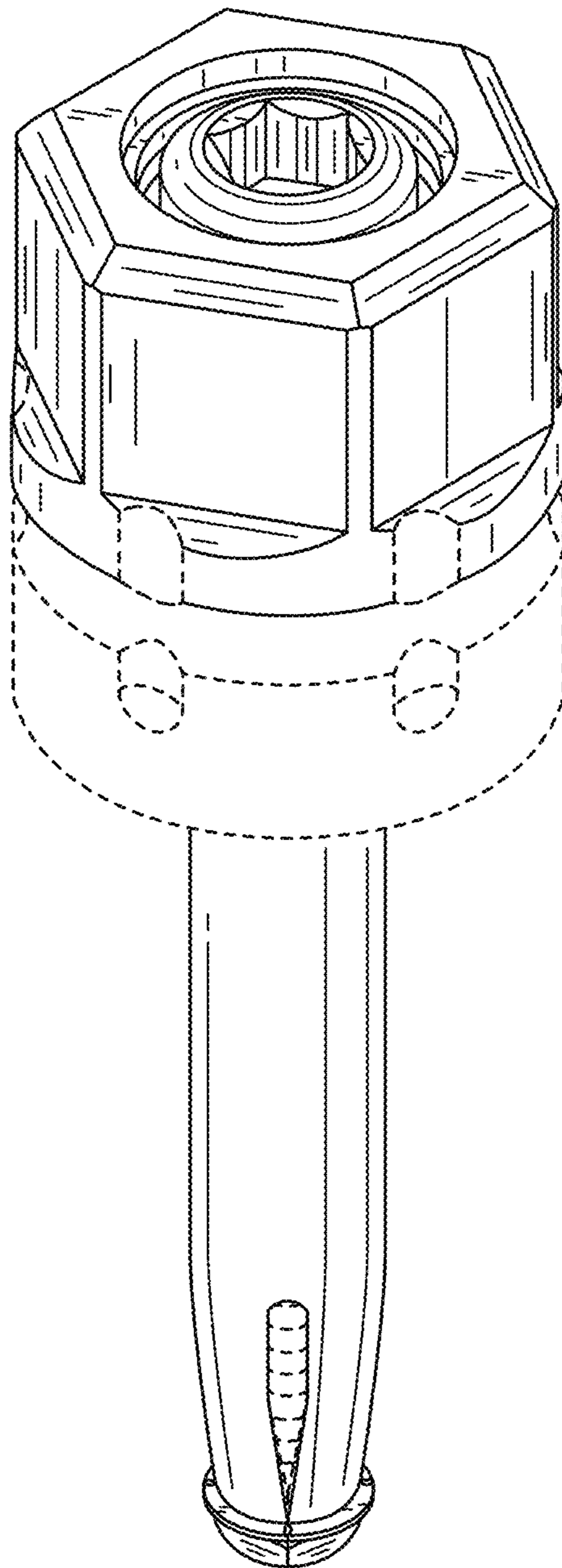


FIG. 1

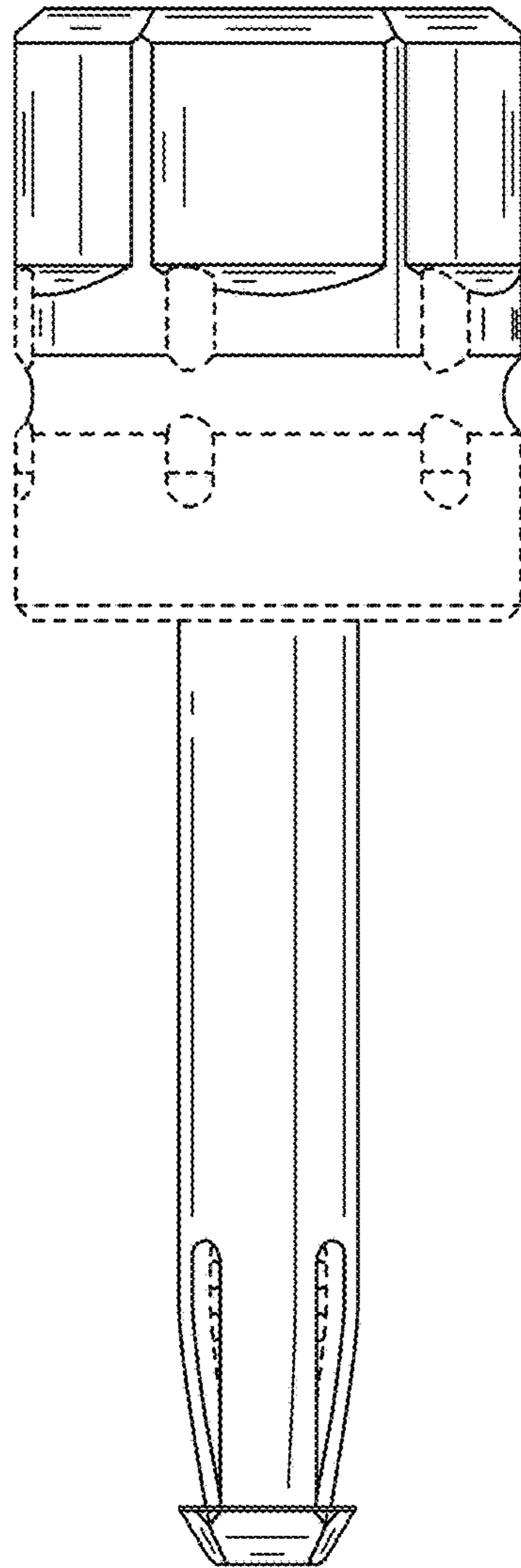


FIG. 2

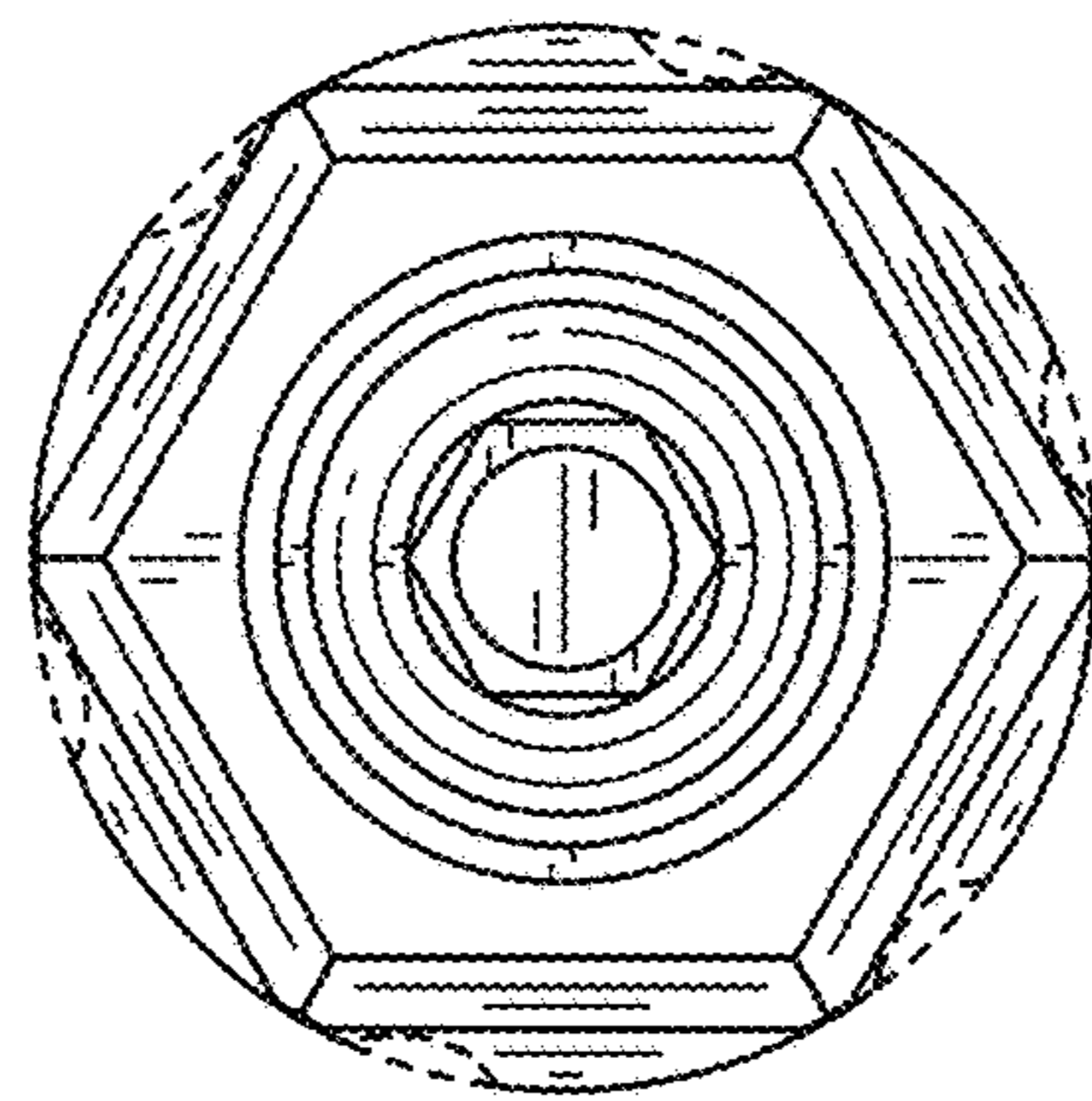


FIG. 3