



US00D844418S

(12) **United States Design Patent** (10) **Patent No.:** **US D844,418 S**  
**Kacines** (45) **Date of Patent:** **\*\* Apr. 2, 2019**

(54) **SET OF MANTEL CLIPS WITH HANGER ROD**

(71) Applicant: **Jeffery J. Kacines**, Allen, TX (US)

(72) Inventor: **Jeffery J. Kacines**, Allen, TX (US)

(\*\*) Term: **15 Years**

(21) Appl. No.: **29/620,119**

(22) Filed: **Jul. 11, 2016**

(51) **LOC (11) Cl.** ..... **08-05**

(52) **U.S. Cl.**  
USPC ..... **D8/376**

(58) **Field of Classification Search**  
USPC ..... D8/376, 367, 368, 363, 394, 371;  
D6/580  
CPC ..... A47G 29/083; A47G 29/087  
See application file for complete search history.

(56) **References Cited**

**U.S. PATENT DOCUMENTS**

932,778	A *	8/1909	Gould	.....	A47H 19/00
					160/349.2
D255,774	S *	7/1980	Soucy	.....	D8/366
D300,302	S *	3/1989	Possemato	.....	D8/367
D389,035	S *	1/1998	Smiley	.....	D8/363
D447,936	S *	9/2001	Kacines	.....	D8/394
6,378,827	B1 *	4/2002	Kacines	.....	A47G 29/083
					24/546
D516,901	S *	3/2006	Murray	.....	D8/376
7,448,582	B2 *	11/2008	Jackson	.....	A47F 5/0838
					248/215
D610,901	S *	3/2010	Jones	.....	D8/394
D697,785	S *	1/2014	Davis	.....	D8/367
9,188,152	B1 *	11/2015	Kacines	.....	A47G 25/00
9,797,550	B1 *	10/2017	Grant	.....	F16M 13/022
D818,803	S *	5/2018	Rogers	.....	D8/367

**OTHER PUBLICATIONS**

Stocking Rods by South House Designs found on Nov. 20, 2018 posted on Nov. 19, 2011 by Carrissa on <http://www.southhousedesigns.com/stocking-rods/>.\*

\* cited by examiner

*Primary Examiner* — Eliza Z Bennett-Hattan

(74) *Attorney, Agent, or Firm* — Roger N. Chauza, PC

(57) **CLAIM**

The ornamental design for a set of mantel clips with hanger rod, substantially as shown and described.

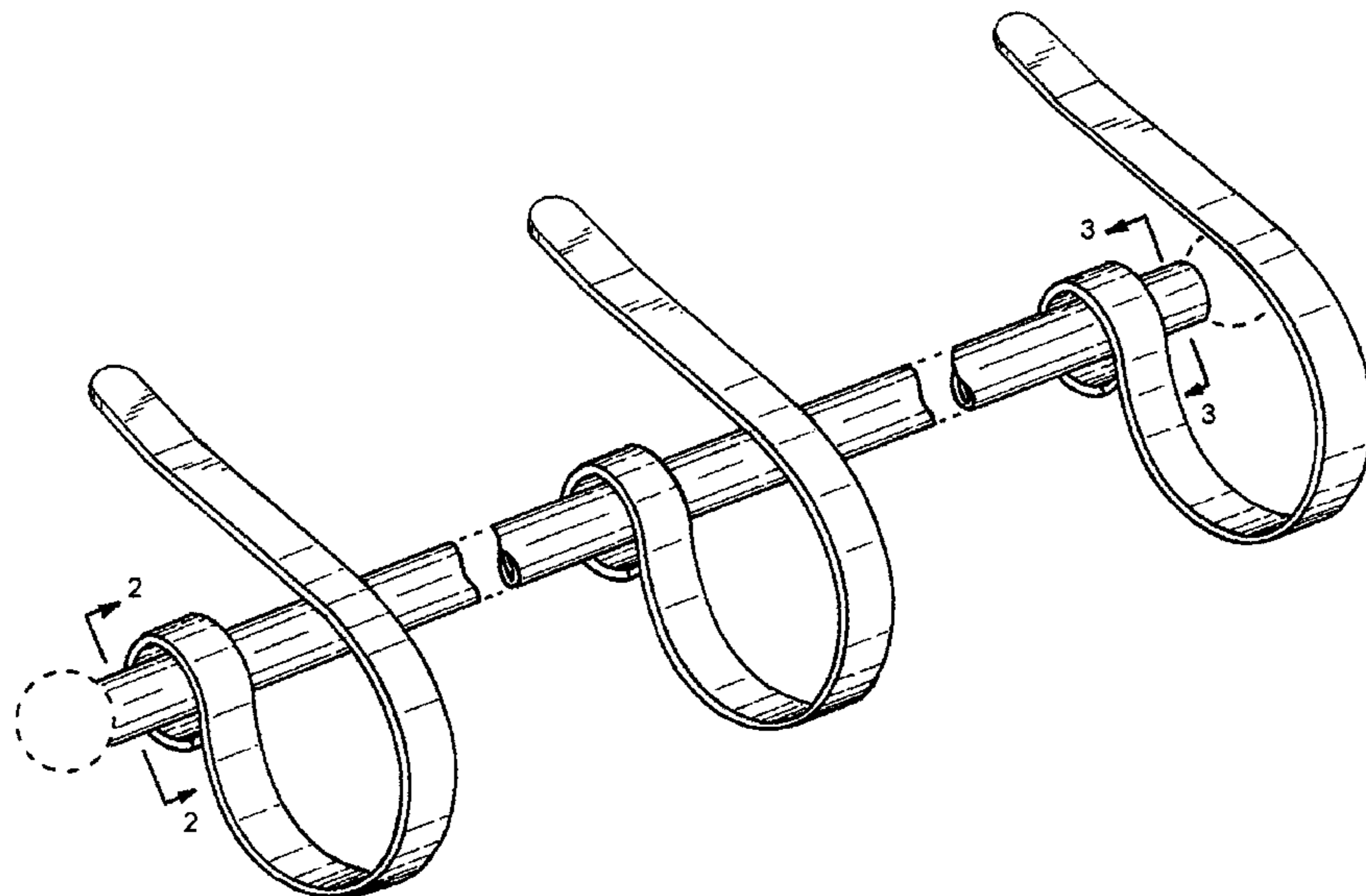
**DESCRIPTION**

FIG. 1 is an isometric left front view of the ornamental design of the set of mantel clips with hanger rod, an isometric right front view is a mirror image, the clips which support the hanger rod are all of identical shape; FIG. 2 is a cross-sectional view thereof, taken along line 2-2 of FIG. 1, the other end at the same position is a mirror image of the illustration of FIG. 2; FIG. 3 is a cross-sectional view thereof, taken along line 3-3 of FIG. 1, the other end at the same position is a mirror image of the illustration of FIG. 3; FIG. 4 is a front view thereof, the opposite side being a mirror image thereof; FIG. 5 a rear view thereof; FIG. 6 is a top view thereof; and, FIG. 7 is a bottom view thereof.

The evenly dashed broken lines in the drawings at the ends of the hanger tube illustrate the portions of the design that form no part of the claimed design. The hanger rod is shown as a tube with a symbolic break in its length, and the appearance of any portion of the hanger rod between the break lines forms no part of the claimed design.

The Display Terminal is shown with a symbolic break in its length. The appearance of any portion of the article between the break lines forms no part of the claimed design.

**1 Claim, 5 Drawing Sheets**



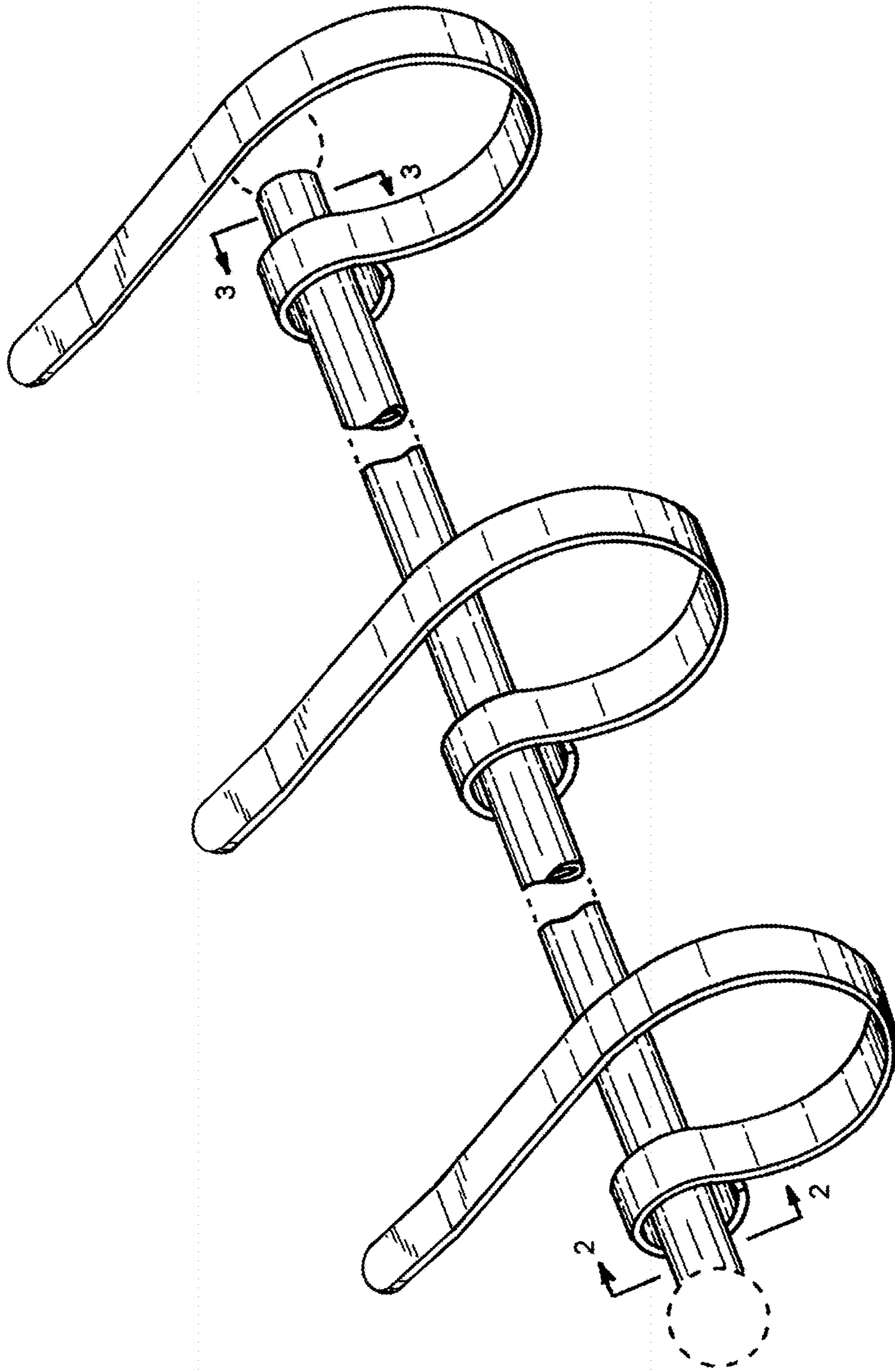


FIG.1

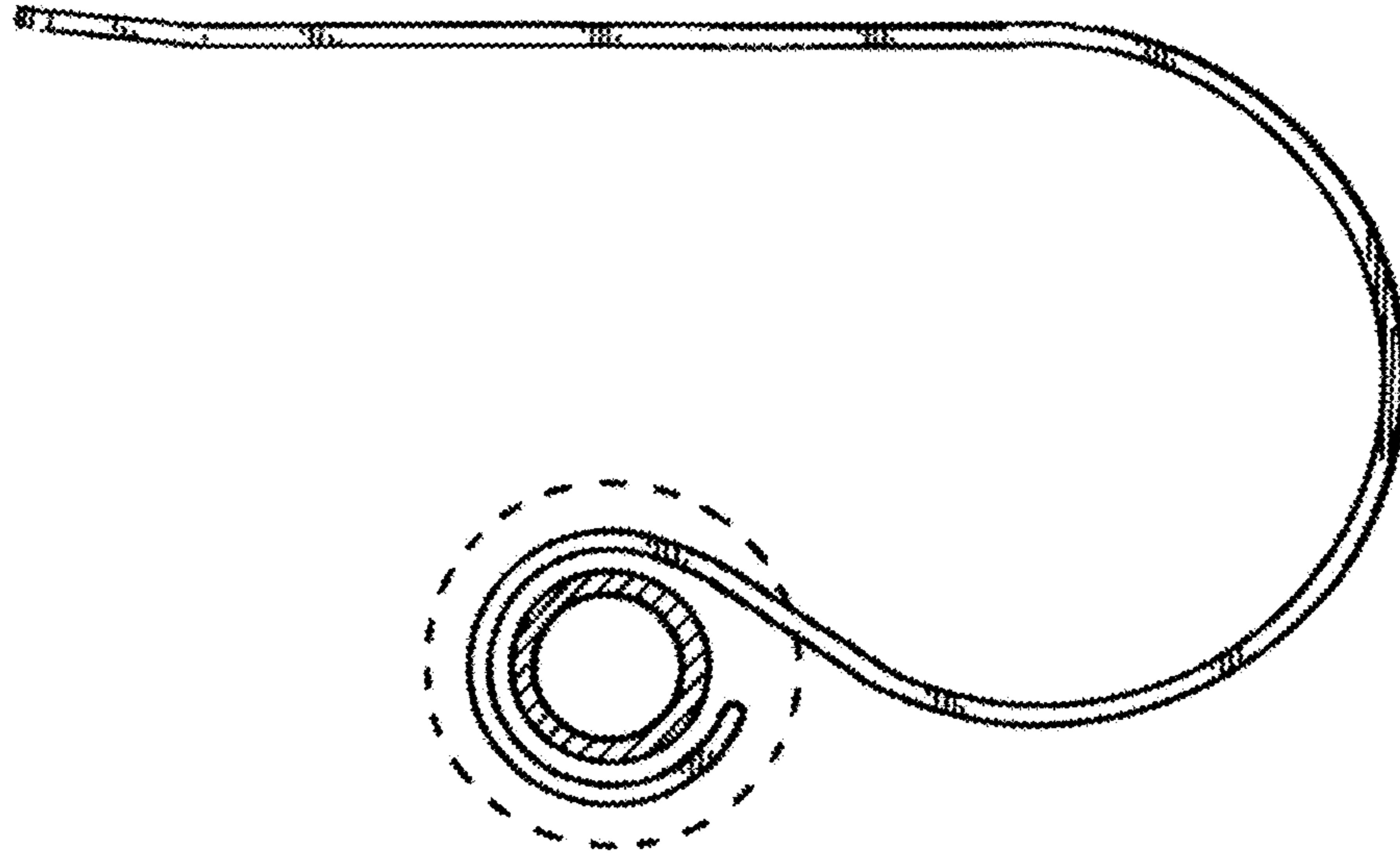


FIG. 2

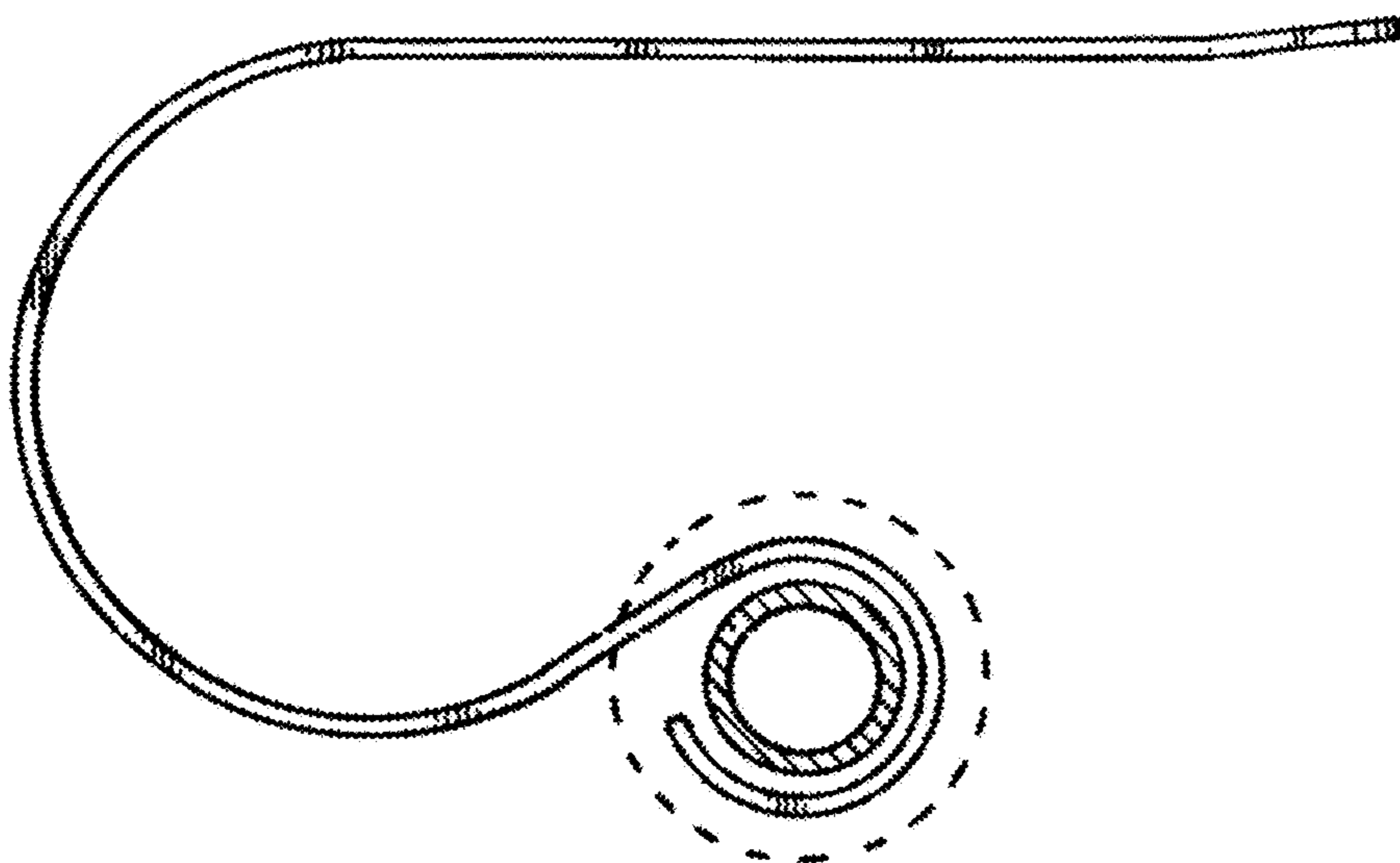


FIG. 3

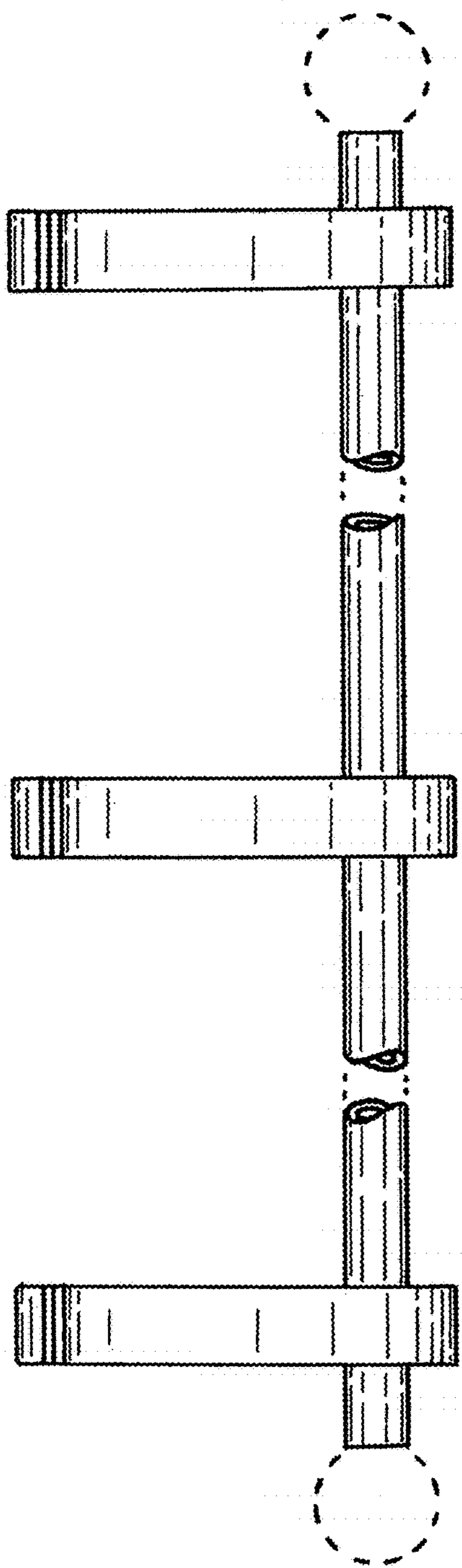


FIG. 4

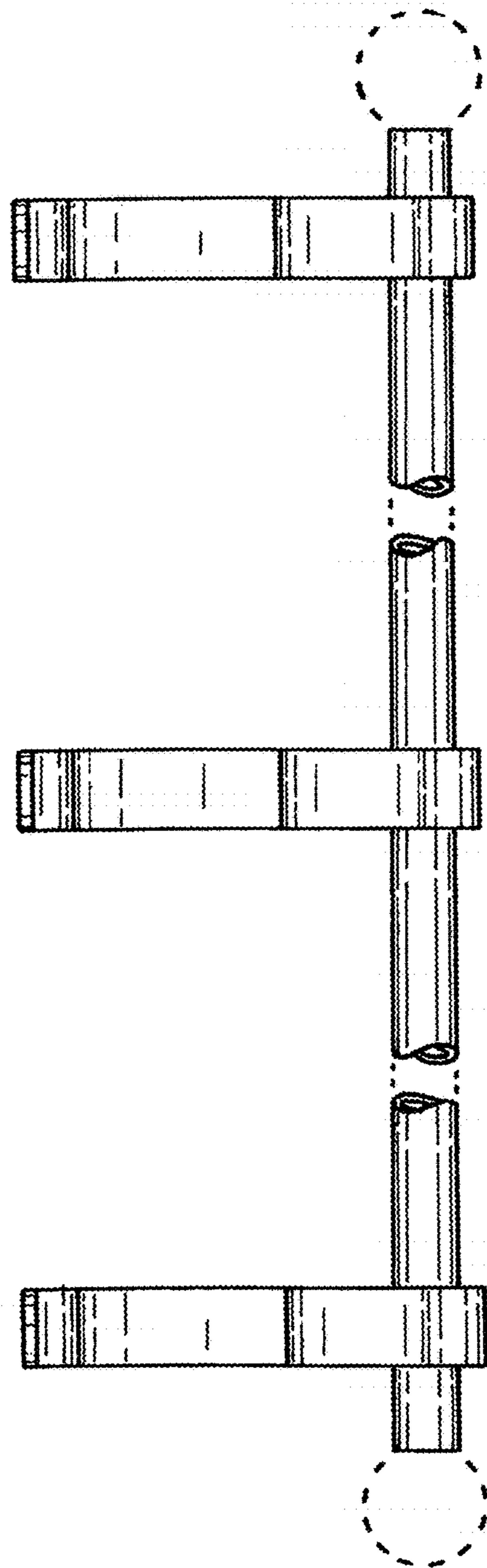


FIG. 5

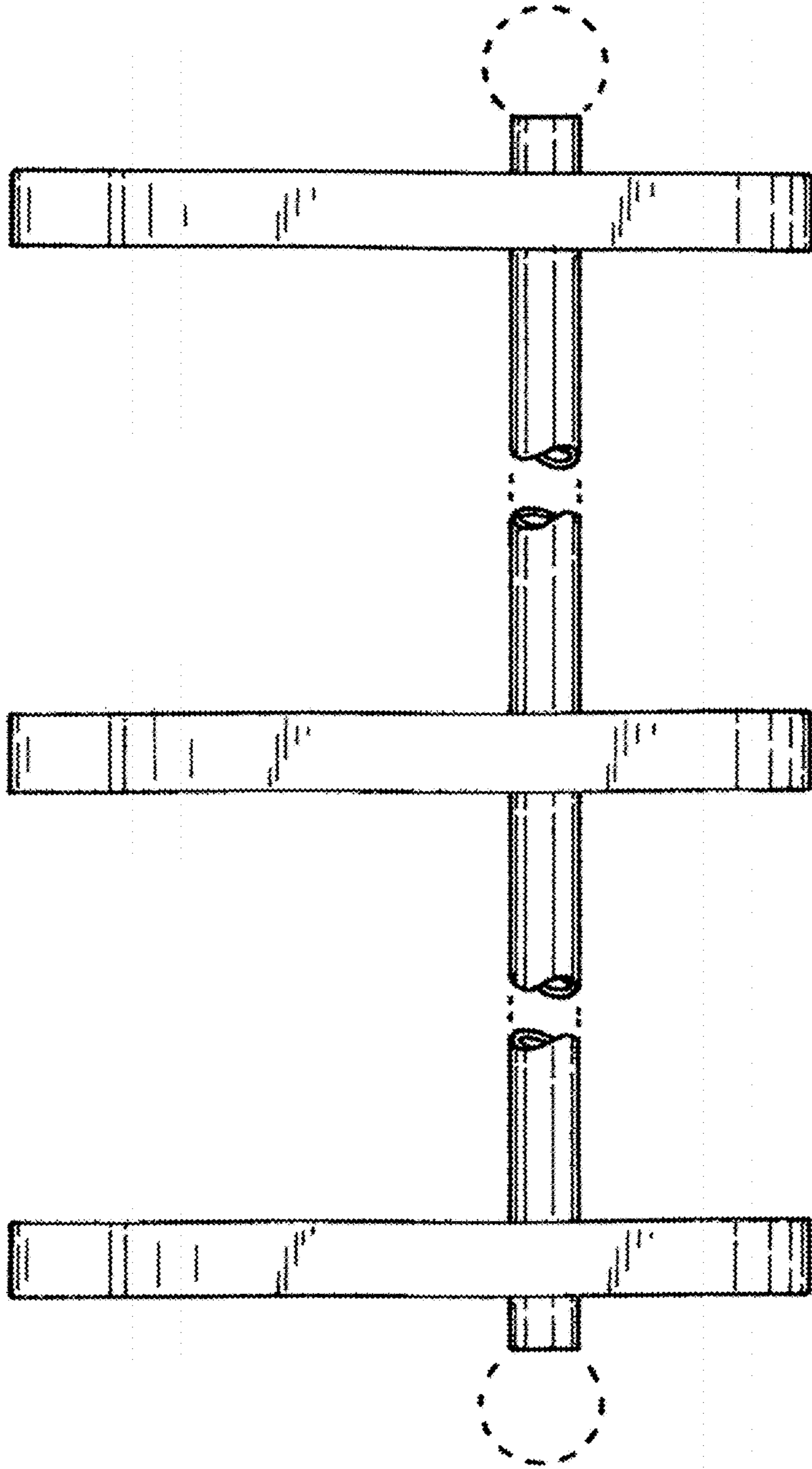


FIG.6

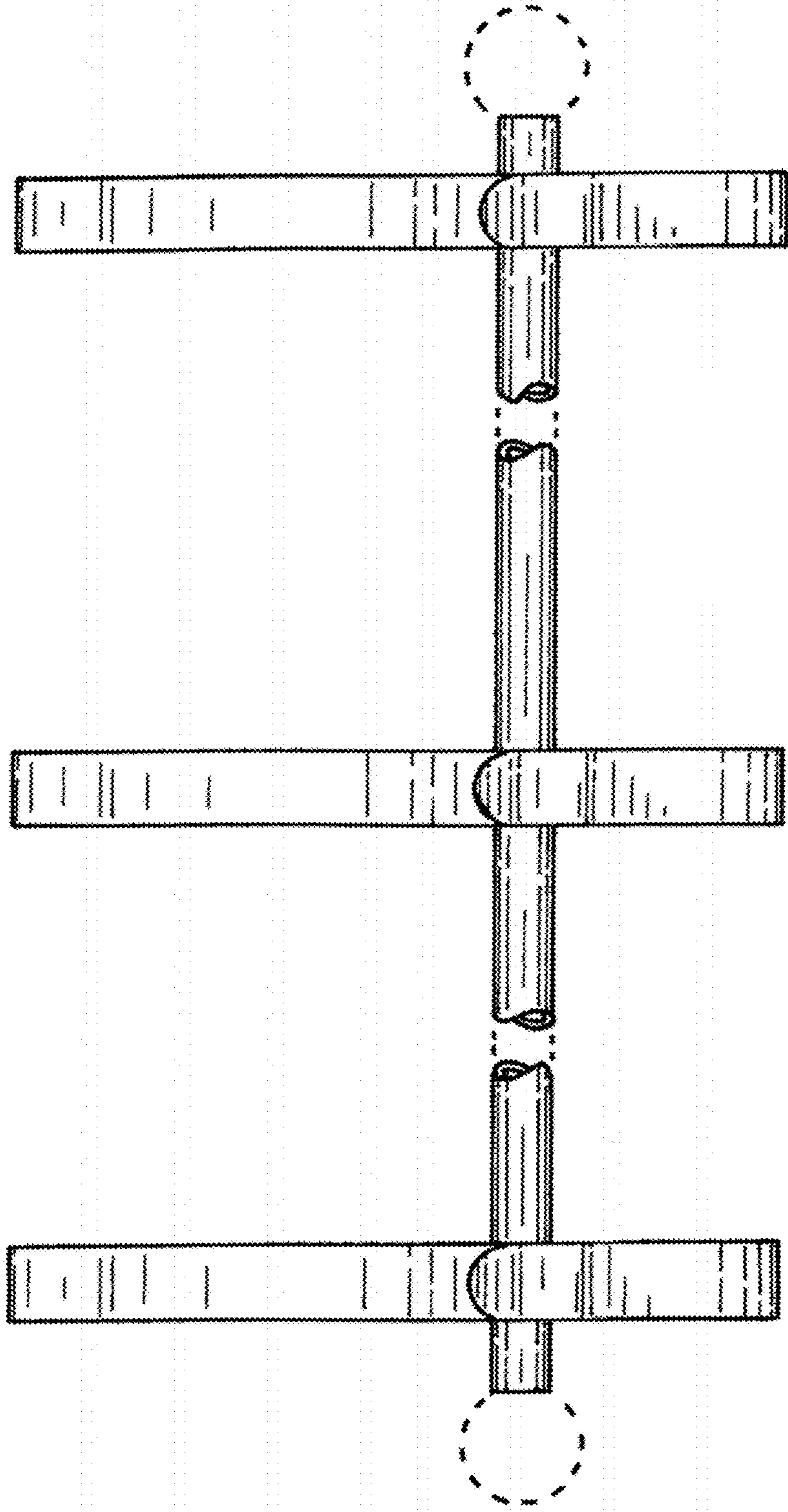


FIG.7