



US00D844417S

(12) **United States Design Patent** (10) **Patent No.:** **US D844,417 S**
Nitta (45) **Date of Patent:** **** Apr. 2, 2019**

(54) **LIVE BAIT ZIP TIE** 6,497,258 B1 * 12/2002 Flannery B65D 63/1063
 140/123.6
 (71) Applicant: **Gye S. Nitta**, Honolulu, HI (US) D614,941 S * 5/2010 Murphy D8/387
 D619,887 S * 7/2010 Colton D8/396
 (72) Inventor: **Gye S. Nitta**, Honolulu, HI (US) D698,632 S * 2/2014 Wang D8/383
 D700,826 S * 3/2014 Qin D8/367
 (**) Term: **15 Years** 8,739,387 B1 * 6/2014 Frishberg F16L 3/2332
 140/93 A
 (21) Appl. No.: **29/621,141** D728,351 S * 5/2015 Martinson D8/373
 D728,352 S * 5/2015 Martinson D8/373
 (22) Filed: **Oct. 4, 2017** D749,409 S * 2/2016 Martinson D8/396
 D769,704 S * 10/2016 Nitta D8/387
 (51) **LOC (11) Cl.** **09-06** * cited by examiner
 (52) **U.S. Cl.**
 USPC **D8/356**; D22/144 *Primary Examiner* — Cynthia R Underwood
 (58) **Field of Classification Search**
 USPC D8/356, 354, 349; D22/144 (57) **CLAIM**
 CPC F16B 45/00; F16B 7/042 The ornamental design for a live bait zip tie, as shown and
 See application file for complete search history. described.

(56) **References Cited**

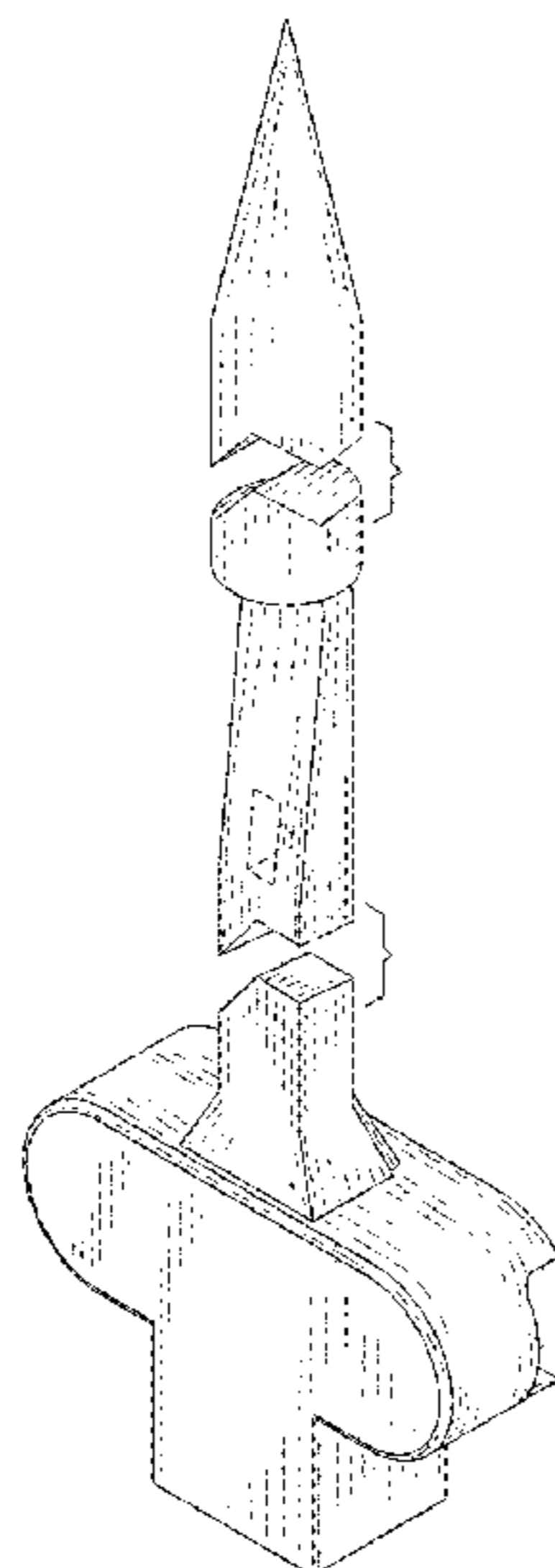
U.S. PATENT DOCUMENTS

4,287,644 A * 9/1981 Durand F16L 3/2334
 24/16 PB
 4,347,648 A * 9/1982 Dekkers B65D 63/1063
 24/16 PB
 4,754,529 A * 7/1988 Paradis B29C 45/0055
 24/16 PB
 4,788,751 A * 12/1988 Shely B65D 63/1072
 24/16 PB
 5,628,348 A * 5/1997 Scott B65B 13/027
 140/123.5
 5,836,053 A * 11/1998 Davignon F16L 3/233
 24/16 PB
 6,079,657 A * 6/2000 Hwang B65H 75/406
 191/12.4
 6,105,210 A * 8/2000 Benoit B65D 63/1063
 24/16 PB
 6,430,783 B1 * 8/2002 Benoit B65D 63/1063
 24/16 PB

DESCRIPTION

FIG. 1 is a top front perspective view of a live bait zip tie showing my new design;
 FIG. 2 is a top back perspective view thereof;
 FIG. 3 is a front view thereof;
 FIG. 4 is a back view thereof;
 FIG. 5 is a top view thereof;
 FIG. 6 is a bottom view thereof;
 FIG. 7 is a right view thereof; and,
 FIG. 8 is a left view thereof.
 The live bait zip tie is shown with a symbolic break in its length. The appearance of any portion of the article between the break lines forms no part of the claimed design.
 The broken line showing a square hole in FIGS. 1-4 is included for the purpose of showing environmental structure and forms no part of the claimed design.

1 Claim, 8 Drawing Sheets



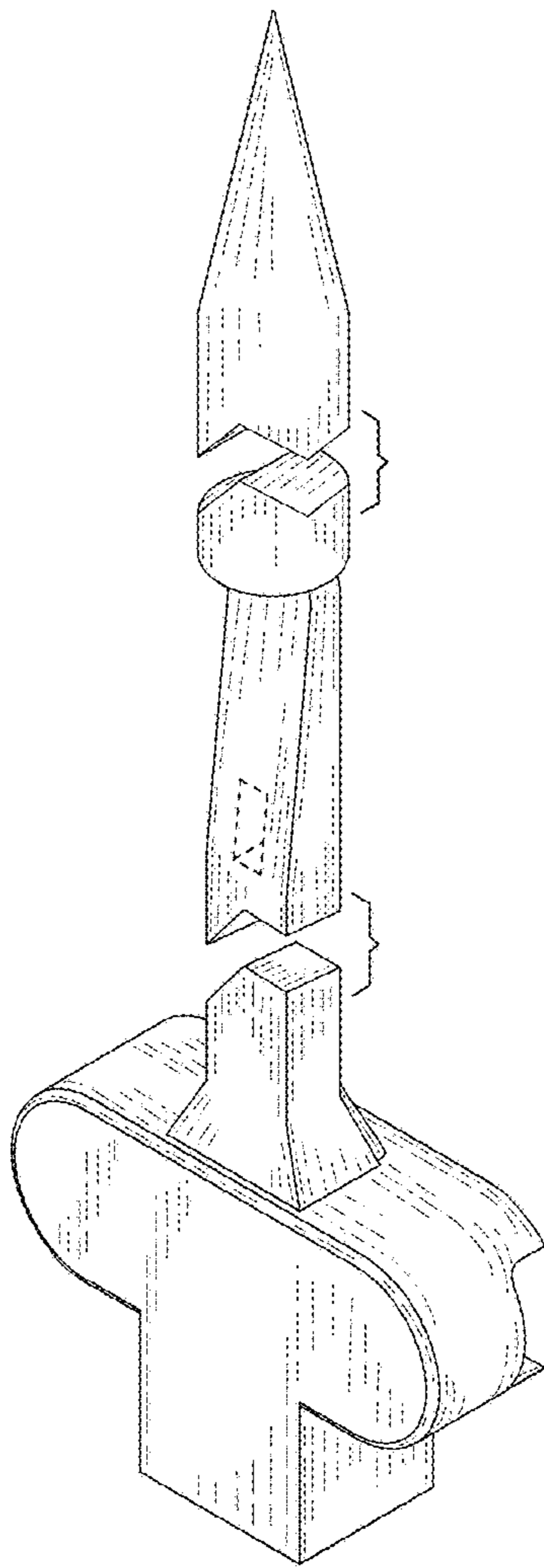


FIG. 1

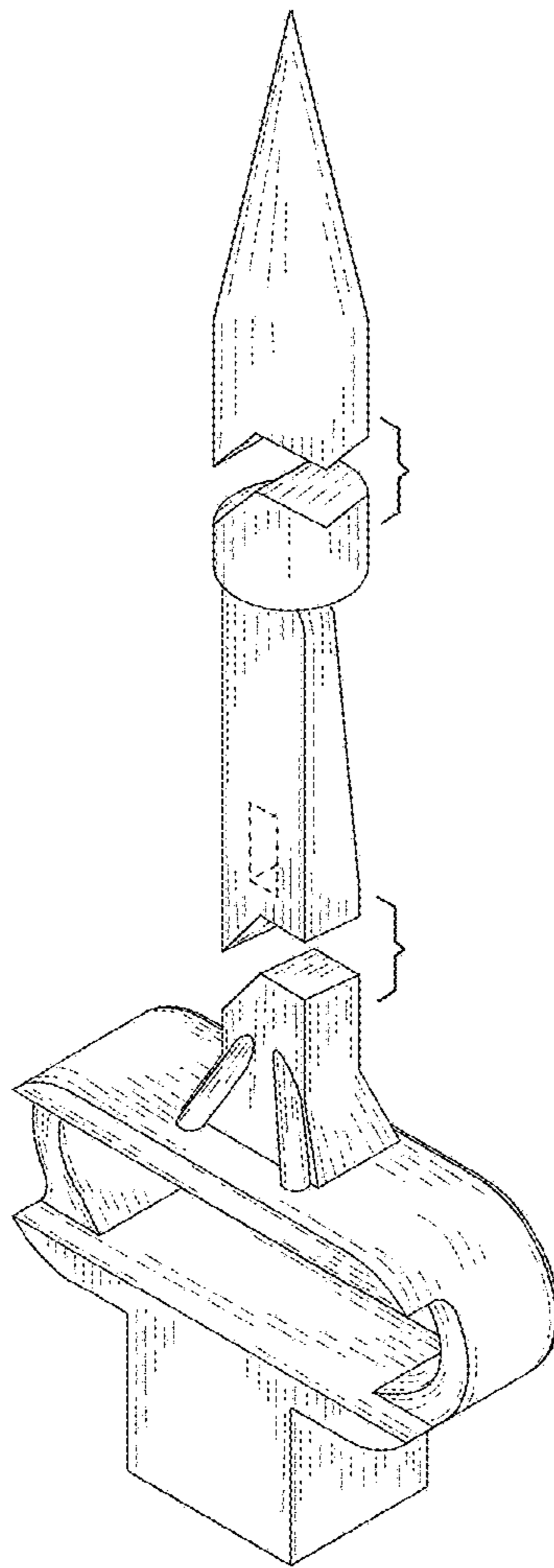


FIG. 2

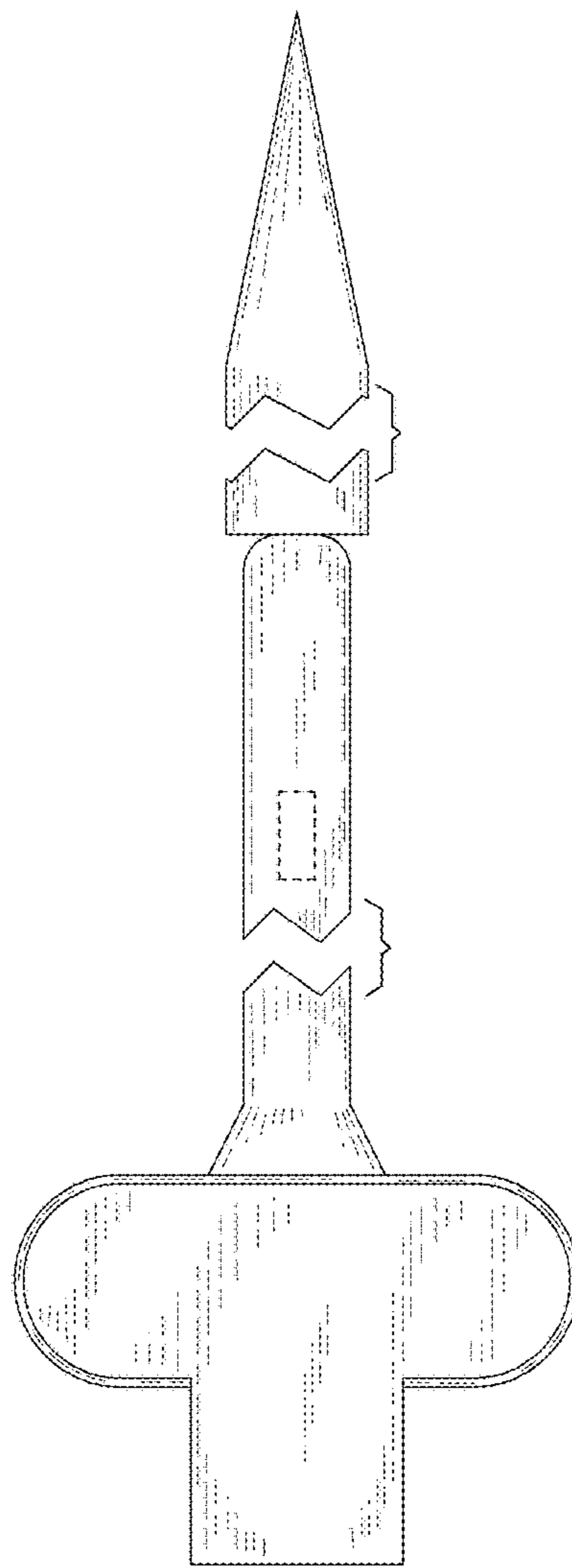


FIG. 3

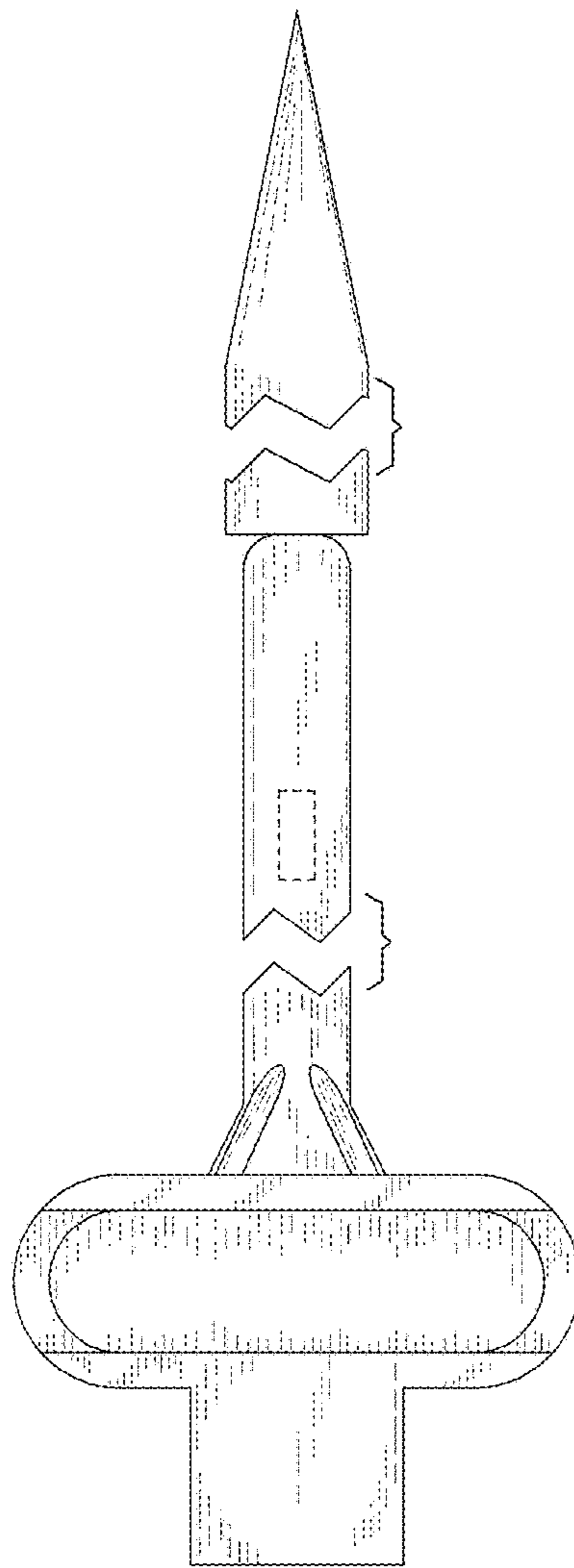


FIG. 4

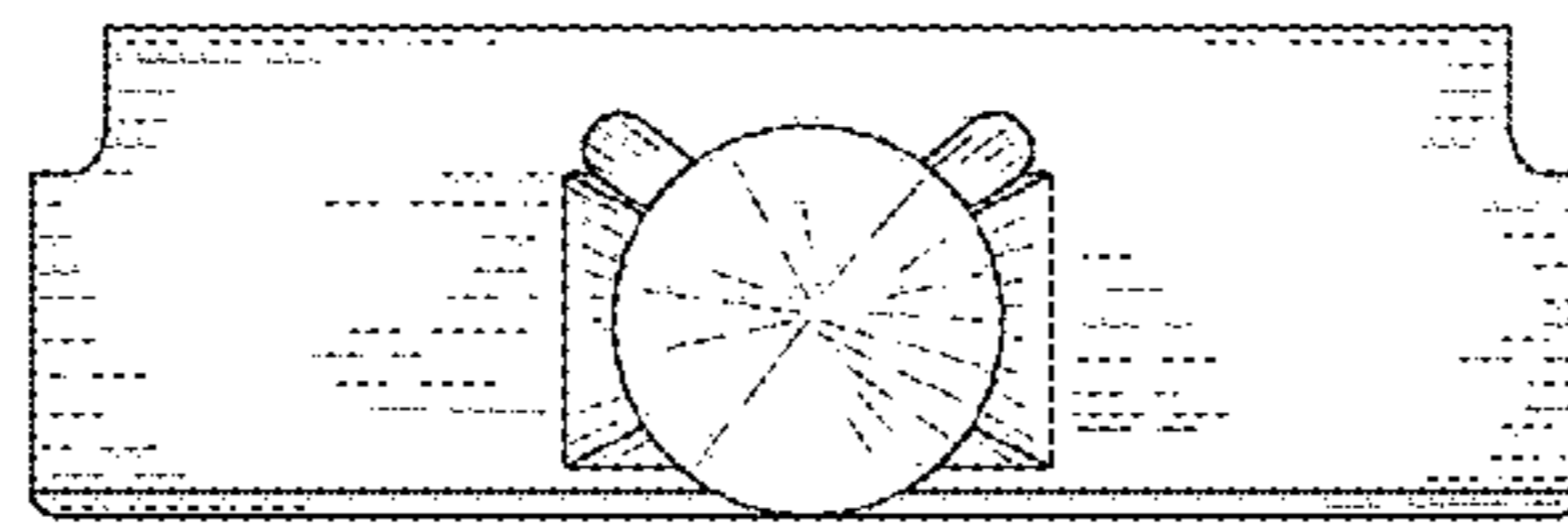


FIG. 5

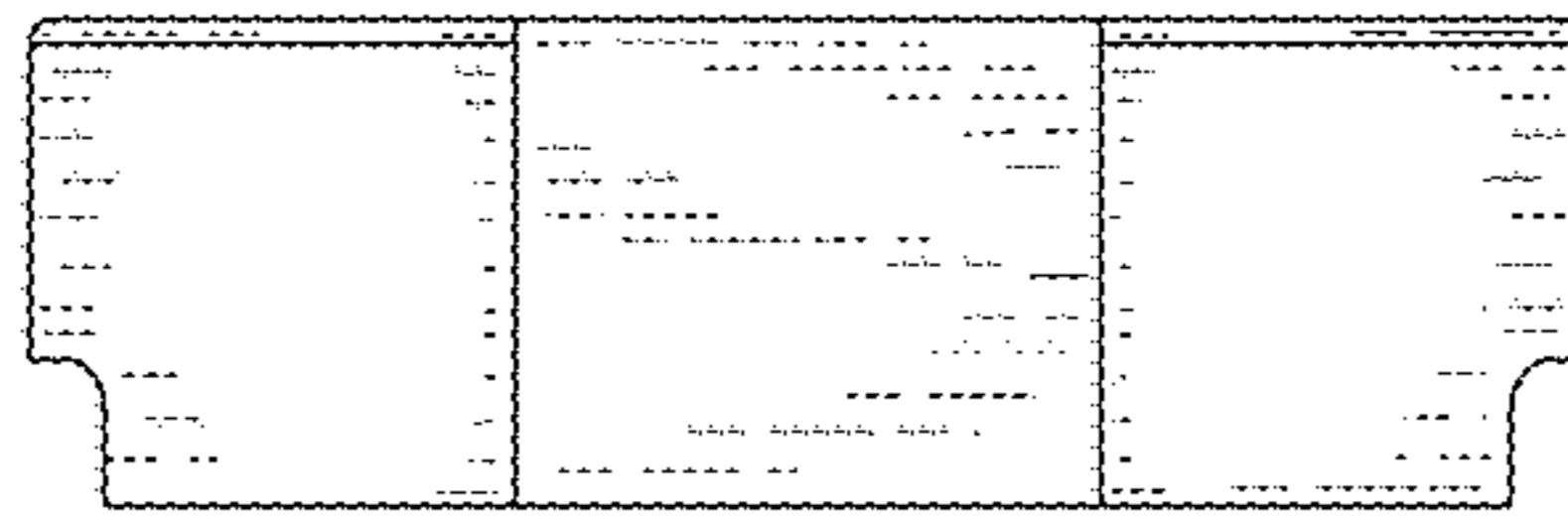


FIG. 6

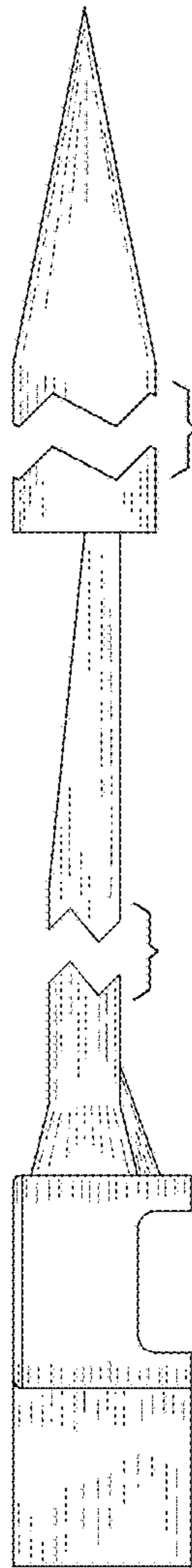


FIG. 7

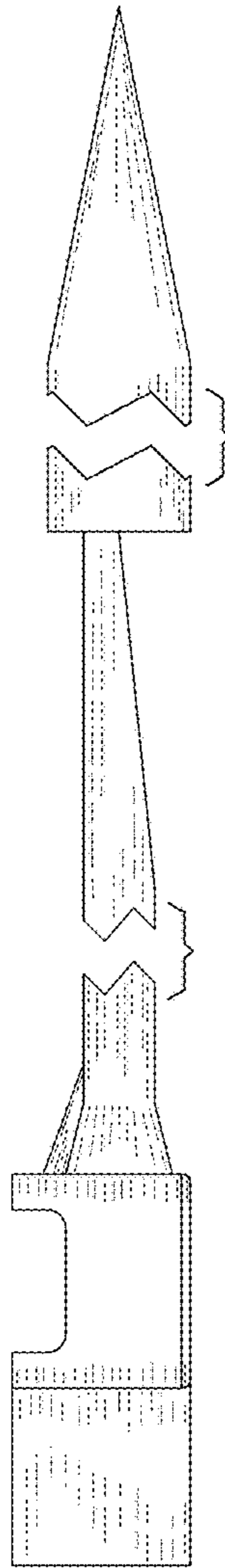


FIG. 8