



US00D844416S

(12) **United States Design Patent** (10) **Patent No.:** **US D844,416 S**
Dyer (45) **Date of Patent:** **** Apr. 2, 2019**

(54) **TIE TAIL CUT-OFF SHIELD**

(71) Applicant: **HellermannTyton Corporation,**
Milwaukee, WI (US)

(72) Inventor: **Edward P. Dyer,** Germantown, WI
(US)

(73) Assignee: **HELLERMANNTYTON**
CORPORATION, Milwaukee, WI
(US)

(**) Term: **15 Years**

(21) Appl. No.: **29/611,670**

(22) Filed: **Jul. 24, 2017**

Related U.S. Application Data

(60) Provisional application No. 62/516,715, filed on Jun.
8, 2017.

(51) **LOC (11) Cl.** **09-06**

(52) **U.S. Cl.**
USPC **D8/356**

(58) **Field of Classification Search**
USPC D8/356, 354; 381/384
(Continued)

(56) **References Cited**

U.S. PATENT DOCUMENTS

4,754,529 A * 7/1988 Paradis B29C 45/0055
24/16 PB
5,884,367 A * 3/1999 Teagno F16L 3/2332
24/16 PB

(Continued)

Primary Examiner — Cynthia R Underwood
(74) *Attorney, Agent, or Firm* — Robert J. Myers

(57) **CLAIM**

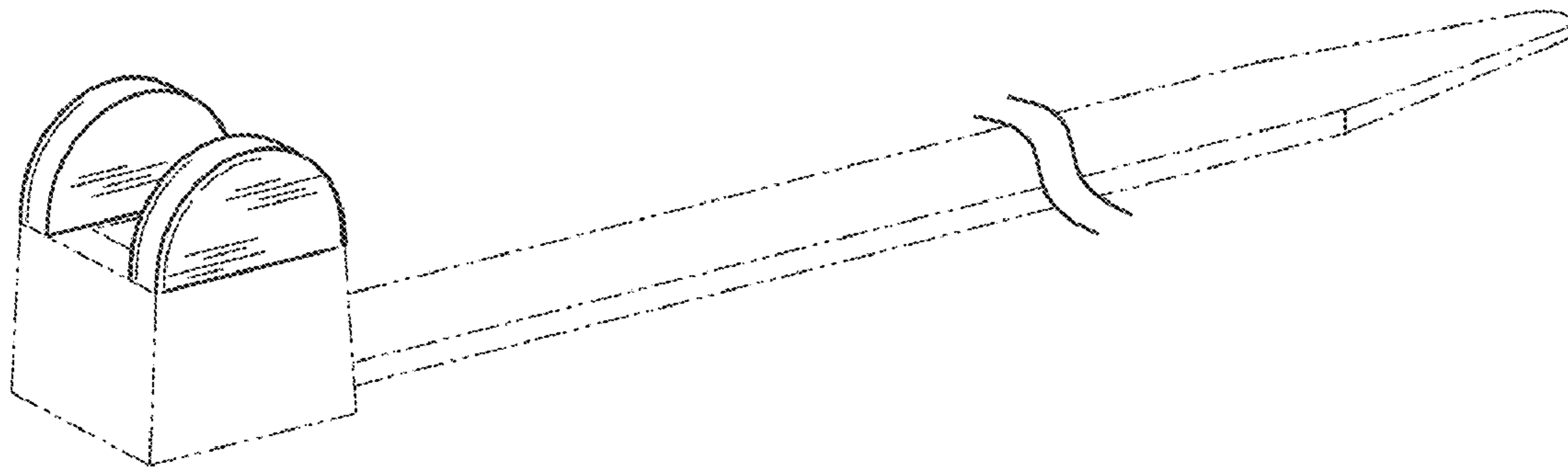
An ornamental design for a tie tail cut-off shield, as shown
and described.

DESCRIPTION

FIG. 1 is a perspective view of the first embodiment of the
tie tail cut-off shield;

FIG. 2 is a right side elevation view thereof;
FIG. 3 is a left side elevation view thereof;
FIG. 4 is a top plan view thereof;
FIG. 5 is a front elevation view thereof;
FIG. 6 is a back elevation view thereof; and the bottom of
the tie tail cut-off shield is unornamented.
FIG. 7 is a perspective view of the second embodiment of
the tie tail cut-off shield;
FIG. 8 is a right side elevation view thereof;
FIG. 9 is a left side elevation view thereof;
FIG. 10 is a top plan view thereof;
FIG. 11 is a front elevation view thereof; and the back and
bottom of the tie tail cut-off shield is unornamented.
FIG. 12 is a perspective view of the third embodiment of the
tie tail cut-off shield;
FIG. 13 is a right side elevation view thereof;
FIG. 14 is a left side elevation view thereof;
FIG. 15 is a top plan view thereof;
FIG. 16 is a front elevation view thereof;
FIG. 17 is a back elevation view thereof; and the bottom of
the tie tail cut-off shield is unornamented.
FIG. 18 is a perspective view of the fourth embodiment of
the tie tail cut-off shield;
FIG. 19 is a right side elevation view thereof;
FIG. 20 is a left side elevation view thereof;
FIG. 21 is a top plan view thereof;
FIG. 22 is a front elevation view thereof;
FIG. 23 is a back elevation view thereof; and the bottom of
the tie tail cut-off shield is unornamented.
FIG. 24 is a perspective view of the seventh embodiment of
the tie tail cut-off shield;
FIG. 25 is a right side elevation view thereof;
FIG. 26 is a left side elevation view thereof;
FIG. 27 is a top plan view thereof; and
FIG. 28 is an end elevation view thereof; and the bottom of
the tie tail cut-off shield is unornamented.
The broken lines are for the purpose of illustrating the
environment of the article only and form no part of the
claimed design. The shading illustrated in the drawings is
provided merely to highlight the contour of the design and
is not intended to be illustrative of any texture or gloss.

1 Claim, 5 Drawing Sheets



(58) **Field of Classification Search**
 CPC E02D 5/803; B63B 21/045; B63B 59/02;
 B60D 1/18; B60P 7/0823; A44B 13/0029;
 Y10T 24/3918
 See application file for complete search history.

(56) **References Cited**

U.S. PATENT DOCUMENTS

5,911,368 A * 6/1999 Davignon B65D 63/1081
 24/16 PB
 5,956,813 A * 9/1999 Cooper B65D 63/1063
 24/16 PB
 6,497,258 B1 * 12/2002 Flannery B65D 63/1063
 140/123.6
 7,131,168 B2 * 11/2006 Pangallo B65D 63/1063
 24/16 PB
 D537,333 S * 2/2007 Jowsey D8/396
 7,775,484 B2 * 8/2010 Gunzburger B60R 16/0215
 248/74.3
 7,789,414 B2 * 9/2010 Blackburn B60R 21/213
 24/16 PB
 D631,731 S * 2/2011 Chen D8/356
 D634,187 S * 3/2011 Kozel D8/396
 8,413,306 B2 * 4/2013 Gallant B29C 43/222
 24/306
 D698,632 S * 2/2014 Wang D8/383
 8,739,387 B1 * 6/2014 Frishberg F16L 3/2332
 140/93 A
 D712,295 S * 9/2014 Ennis D11/3

8,978,210 B2 * 3/2015 Arjomand B65D 63/14
 24/16 PB
 8,978,211 B2 * 3/2015 Arjomand B65D 63/1027
 24/16 PB
 9,067,717 B2 * 6/2015 DeMik B65D 67/02
 D741,691 S * 10/2015 Adams D8/356
 D751,888 S * 3/2016 Sakamoto D8/383
 9,340,341 B2 * 5/2016 Farrell B65D 63/14
 D769,704 S * 10/2016 Nitta D8/387
 D818,350 S * 5/2018 Dencek D8/356
 D820,667 S * 6/2018 Sugiyama D8/356
 2001/0013277 A1 * 8/2001 Galkiewicz A44B 18/0053
 100/2
 2006/0265840 A1 * 11/2006 Thompson H02G 3/30
 24/16 PB
 2007/0057124 A1 * 3/2007 Kwilosz F16L 3/137
 248/74.1
 2010/0306967 A1 * 12/2010 Geiger B65D 63/14
 24/16 PB
 2012/0291231 A1 * 11/2012 Ku B65D 63/1072
 24/16 R
 2015/0033509 A1 * 2/2015 Dietrich B65D 63/1018
 24/16 PB
 2015/0210453 A1 * 7/2015 Liang B65D 63/1072
 24/16 PB
 2016/0009469 A1 * 1/2016 Schneider De Oliveira
 F16L 3/133
 248/636
 2018/0029519 A1 * 2/2018 Hill B60P 3/079
 2018/0154818 A1 * 6/2018 Sauerwald B60P 7/0823

* cited by examiner

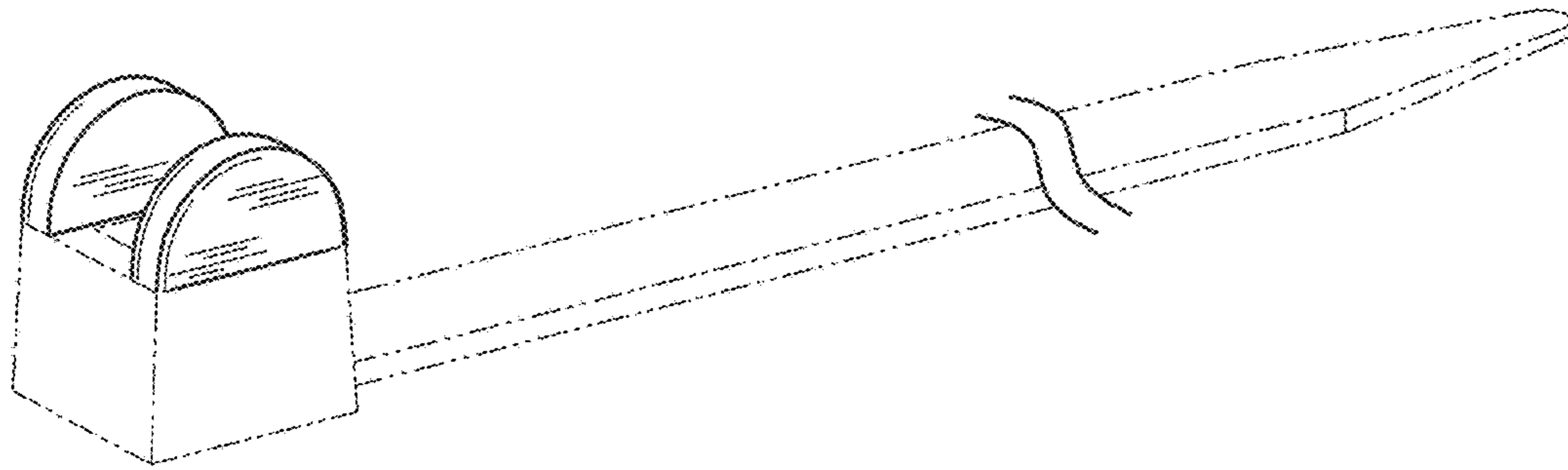


FIG. 1

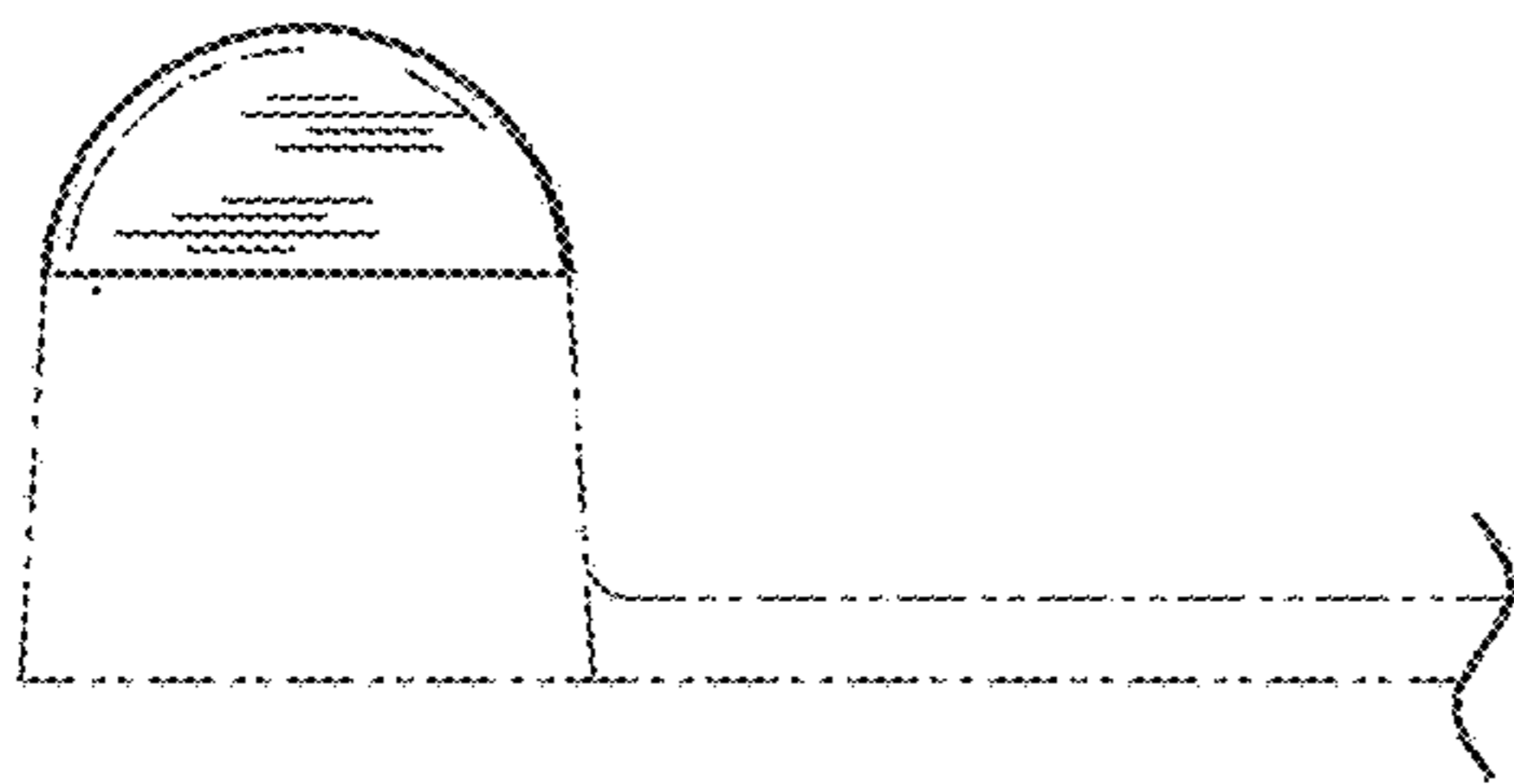


FIG. 2

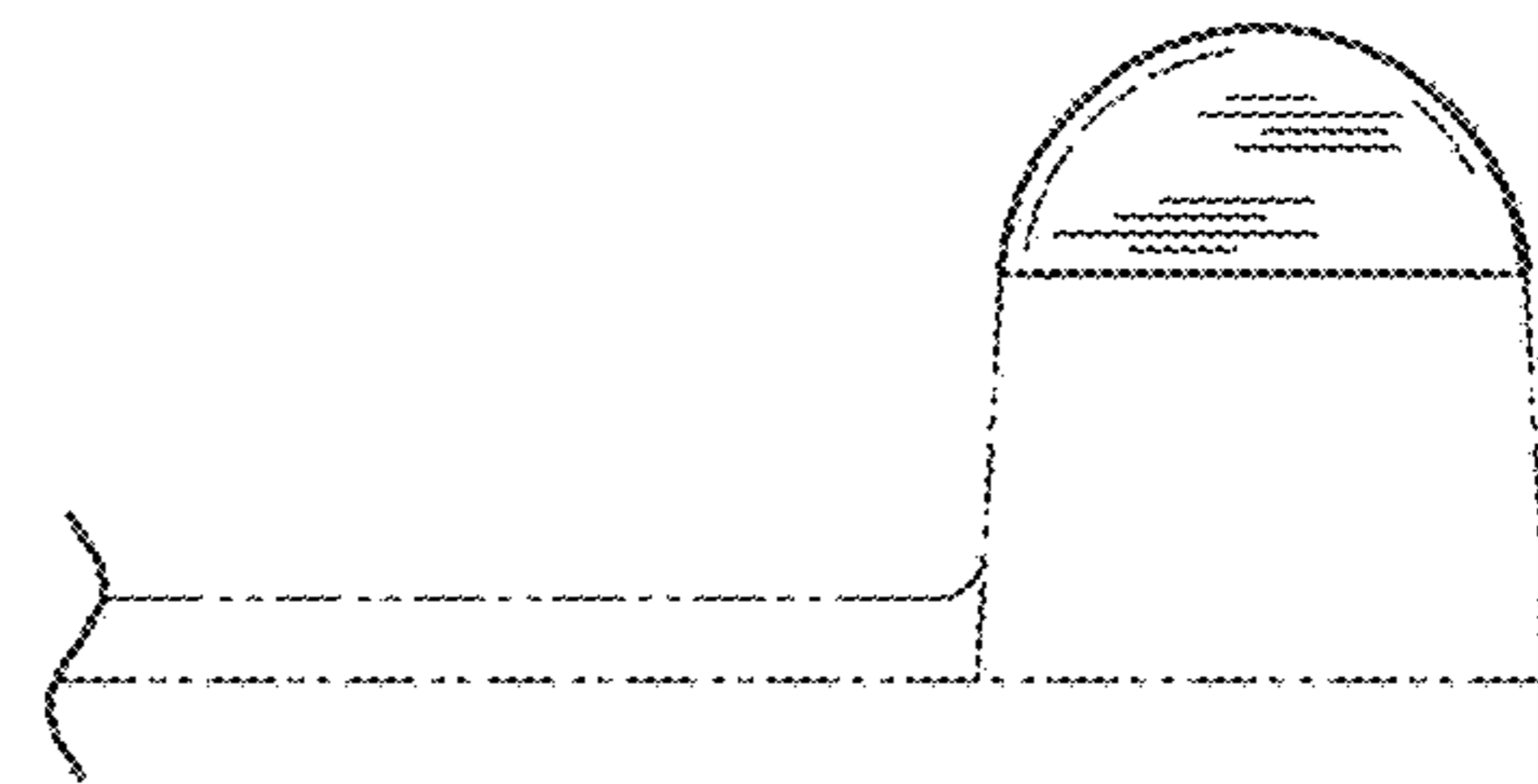


FIG. 3

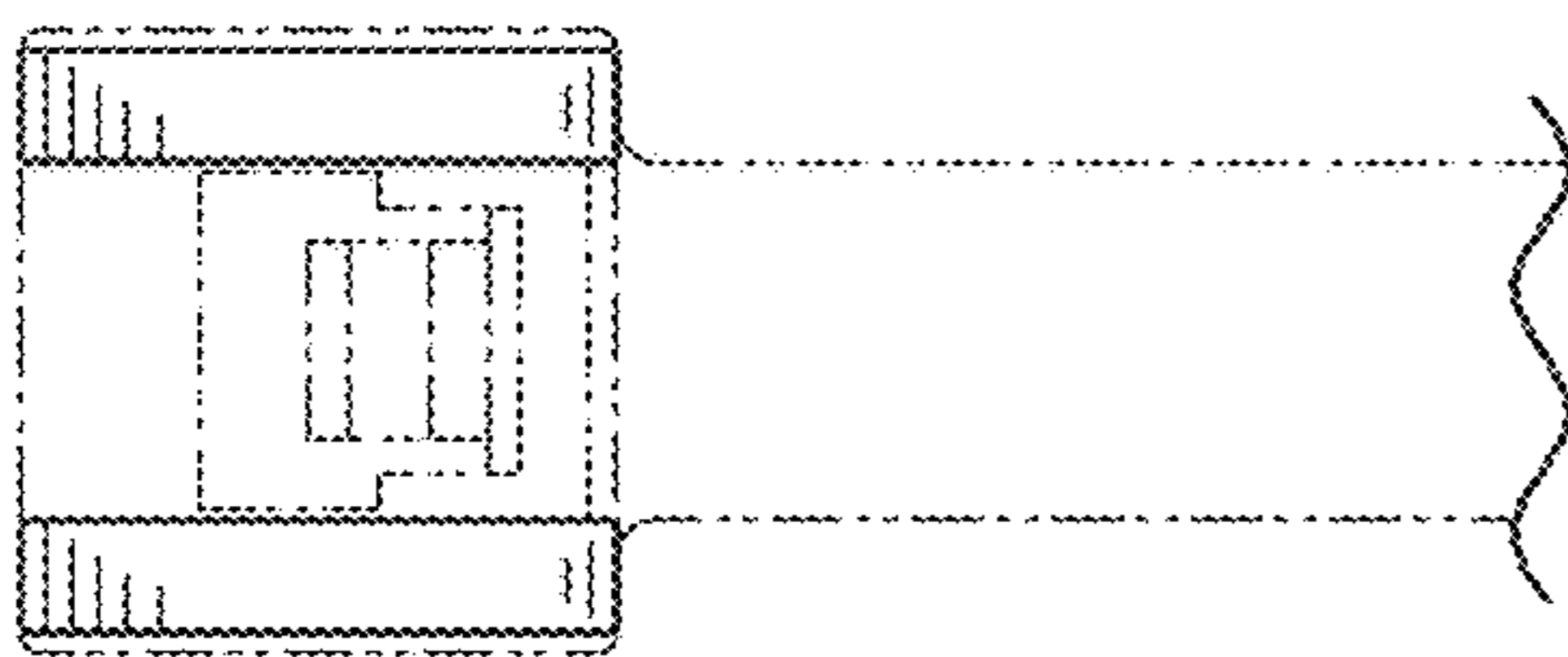


FIG. 4

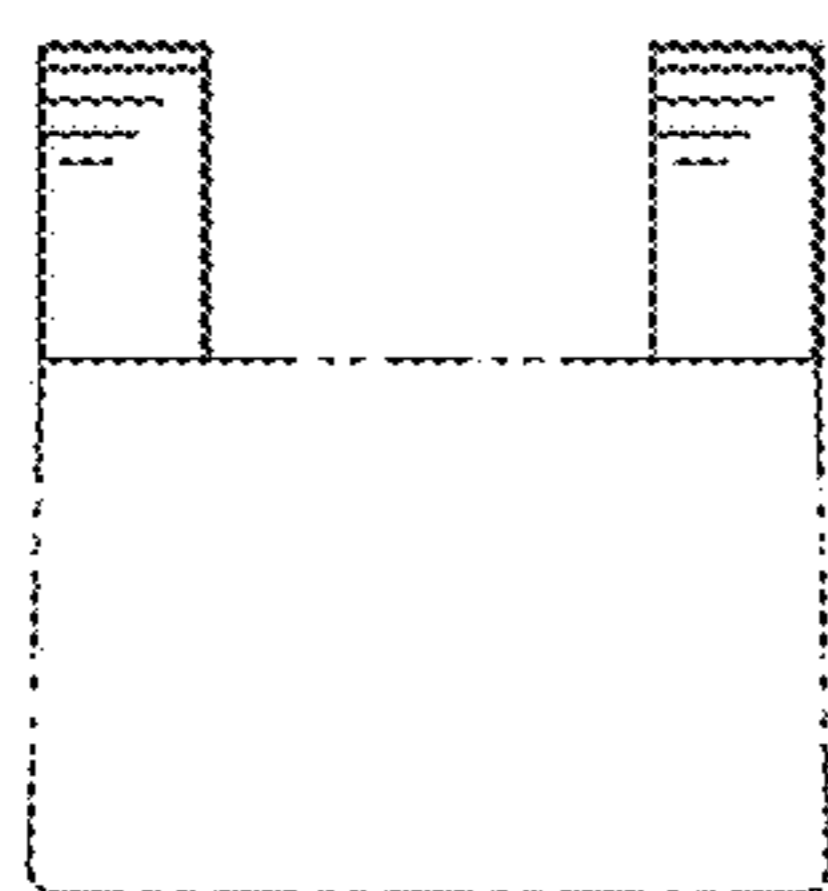


FIG. 5

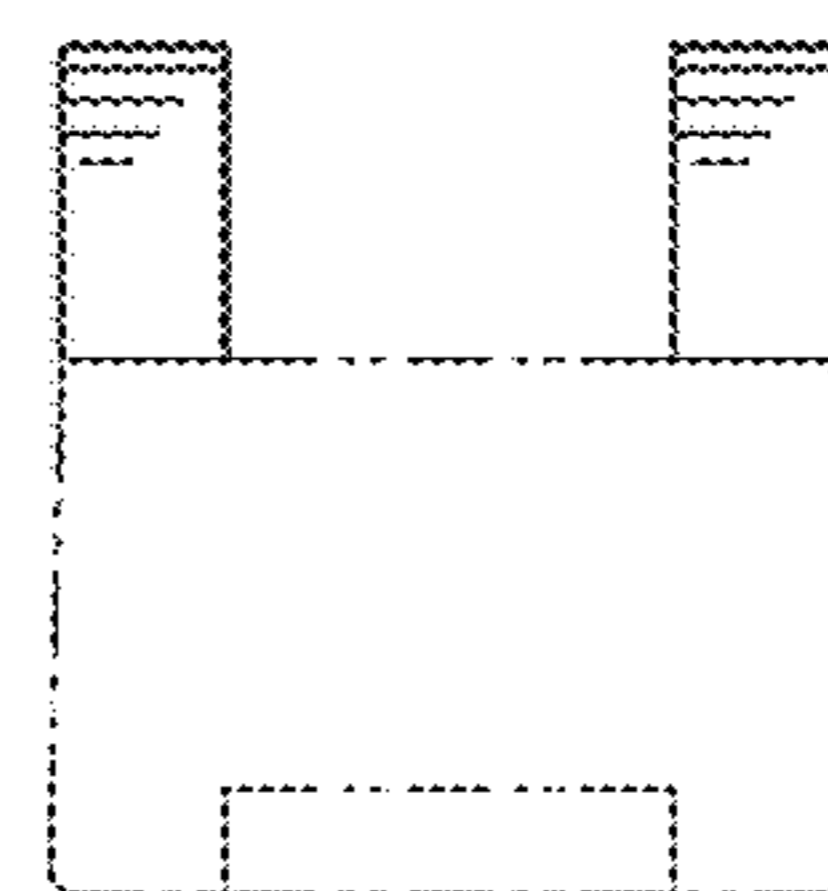


FIG. 6

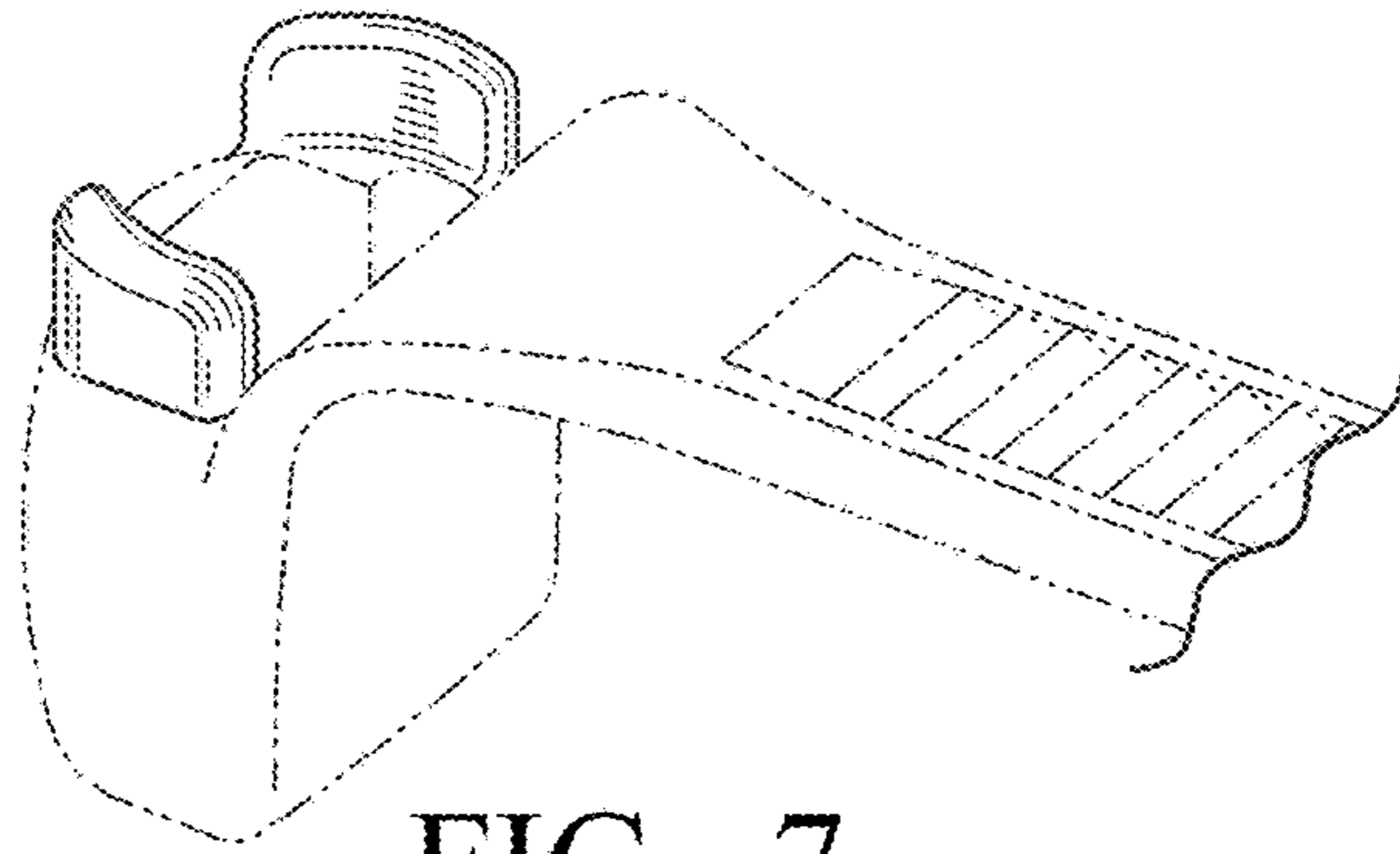


FIG. 7

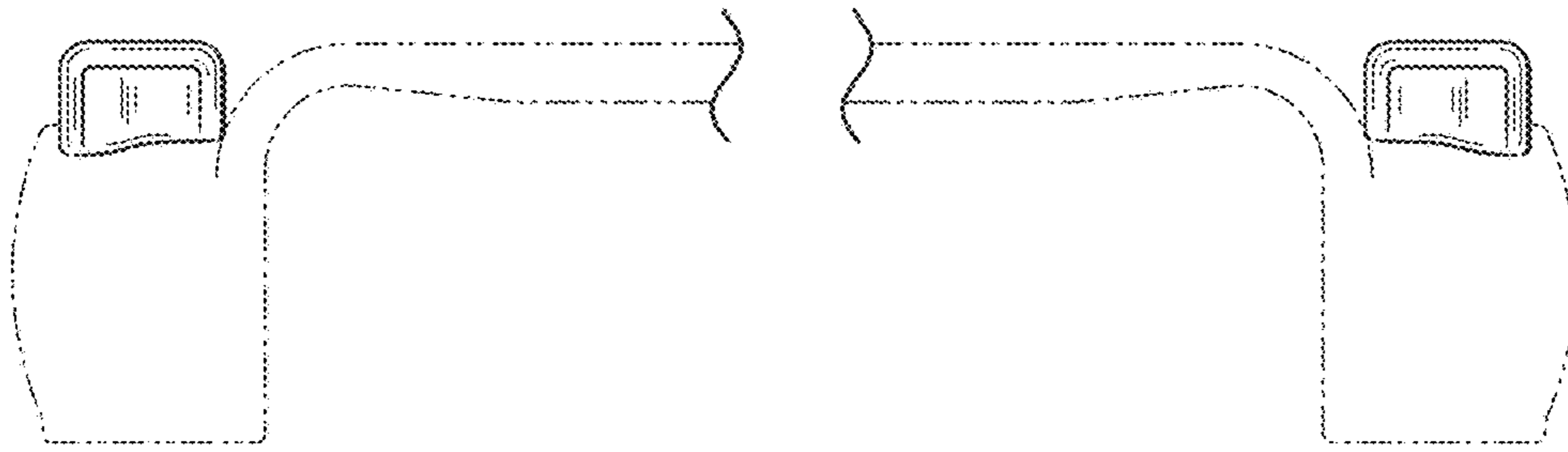


FIG. 8

FIG. 9

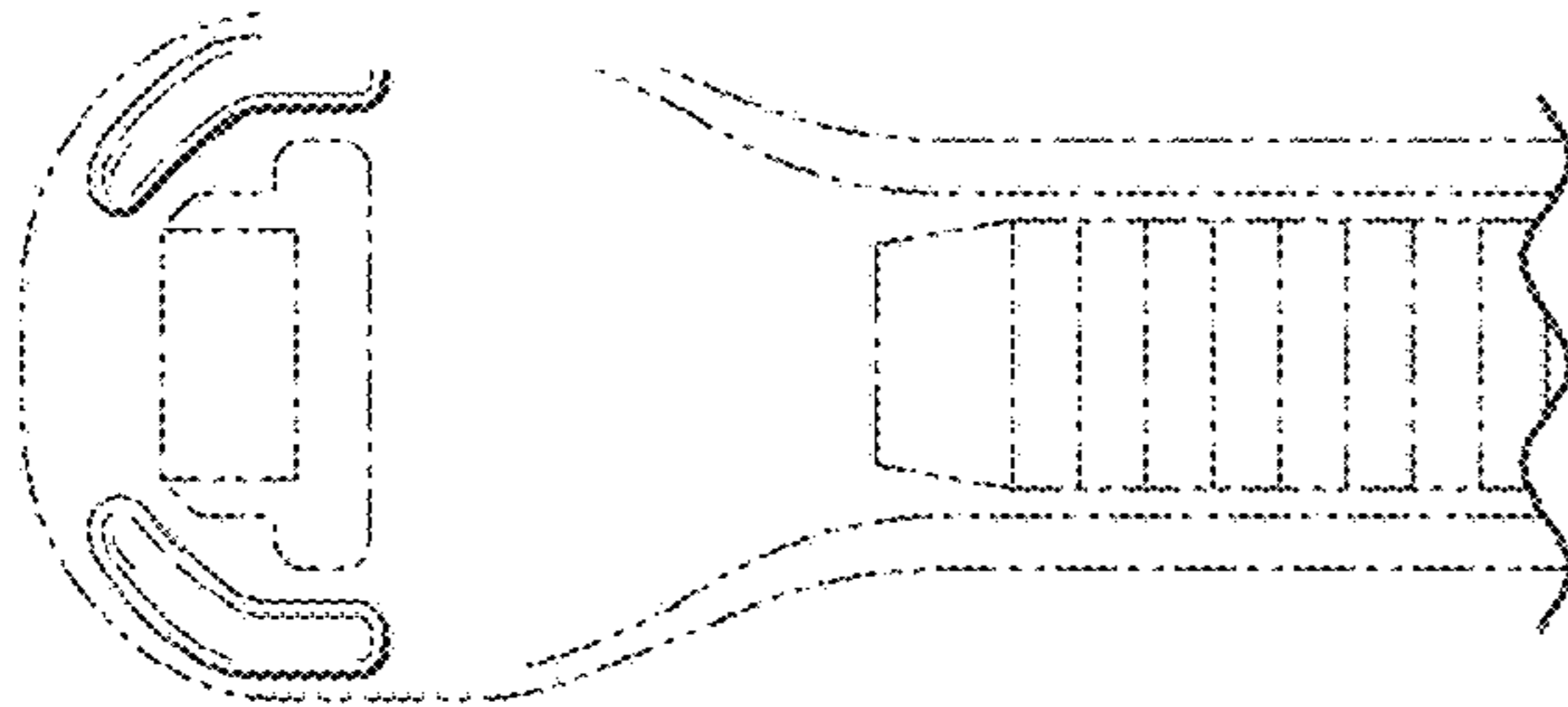


FIG. 10

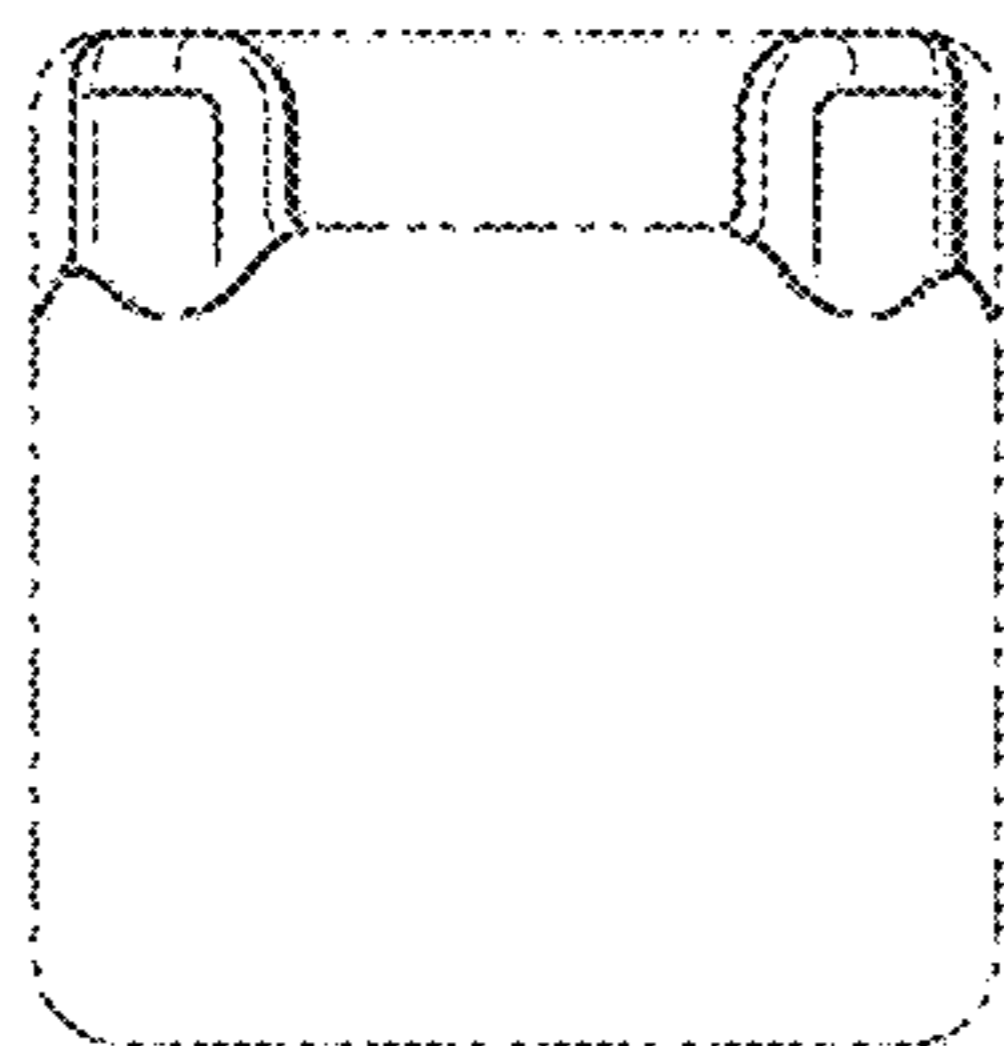


FIG. 11

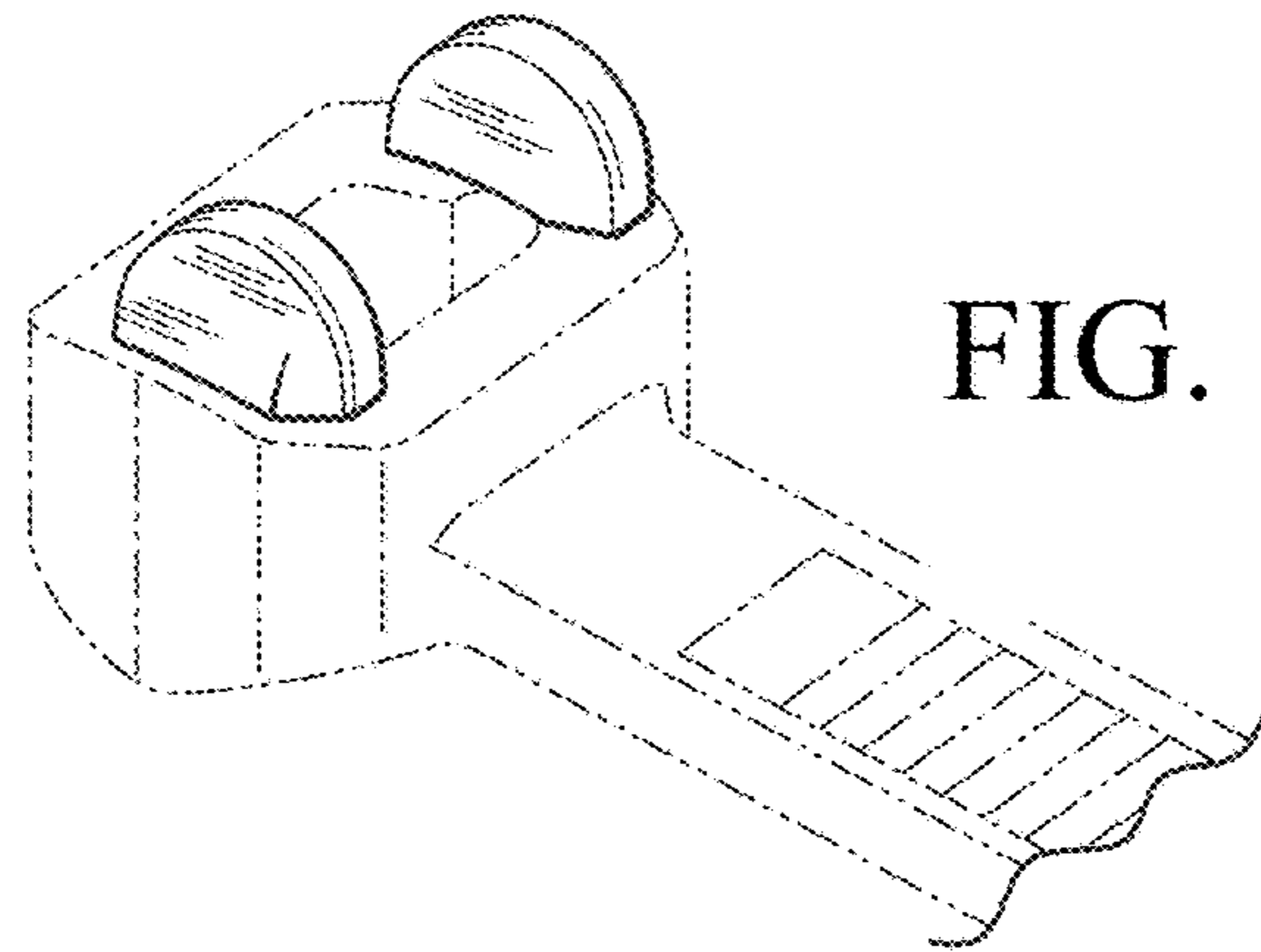


FIG. 12

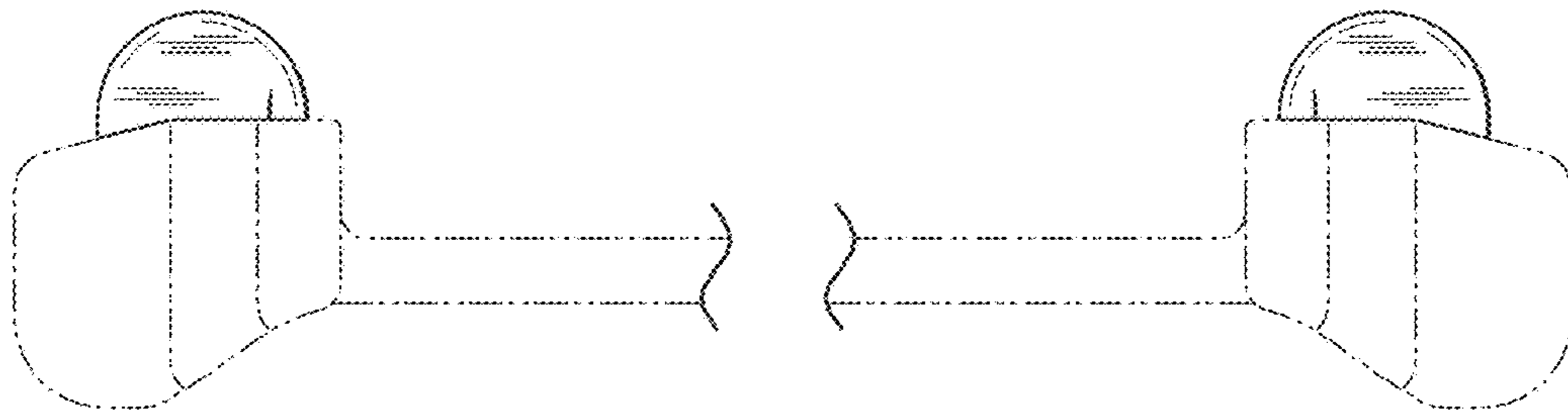


FIG. 13

FIG. 14

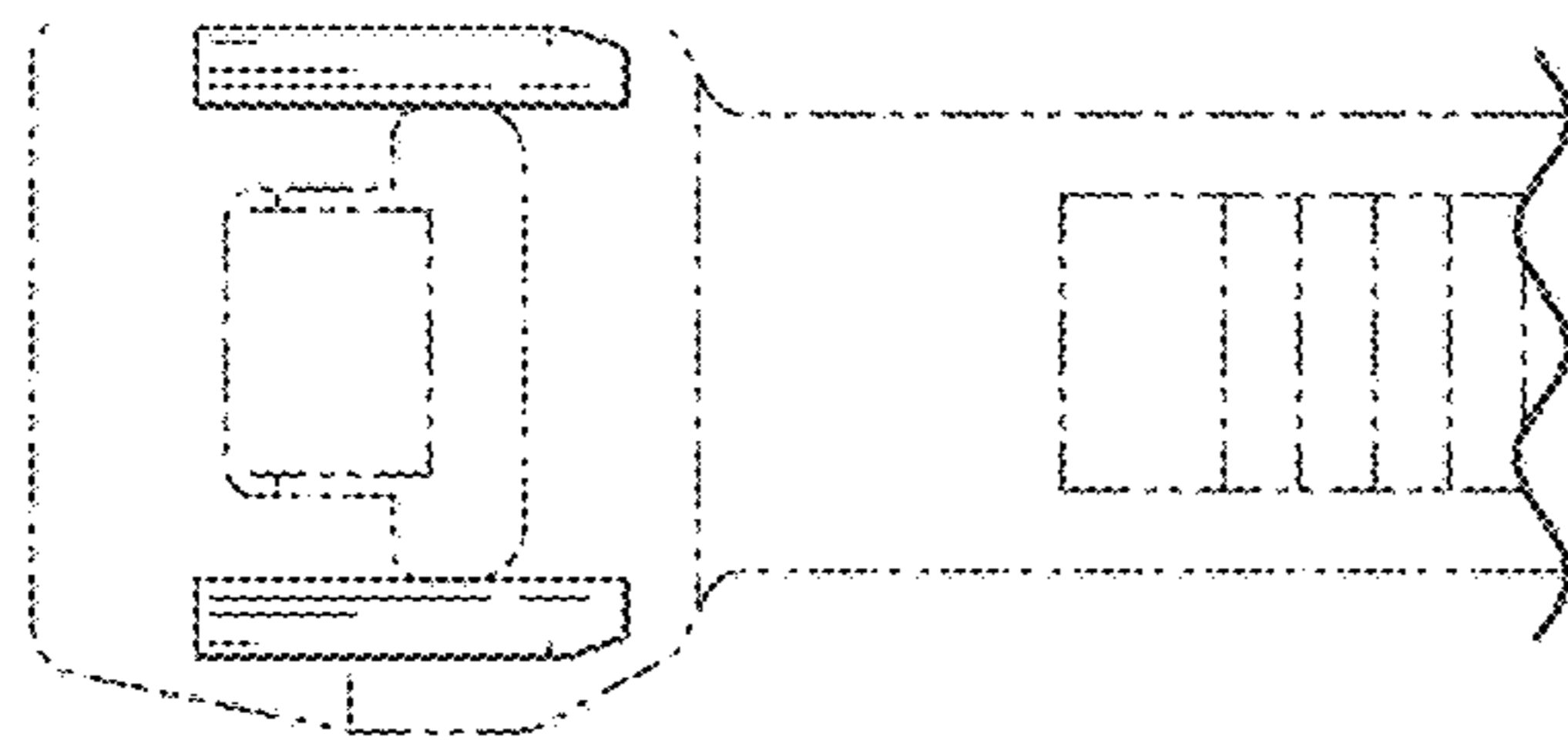


FIG. 15

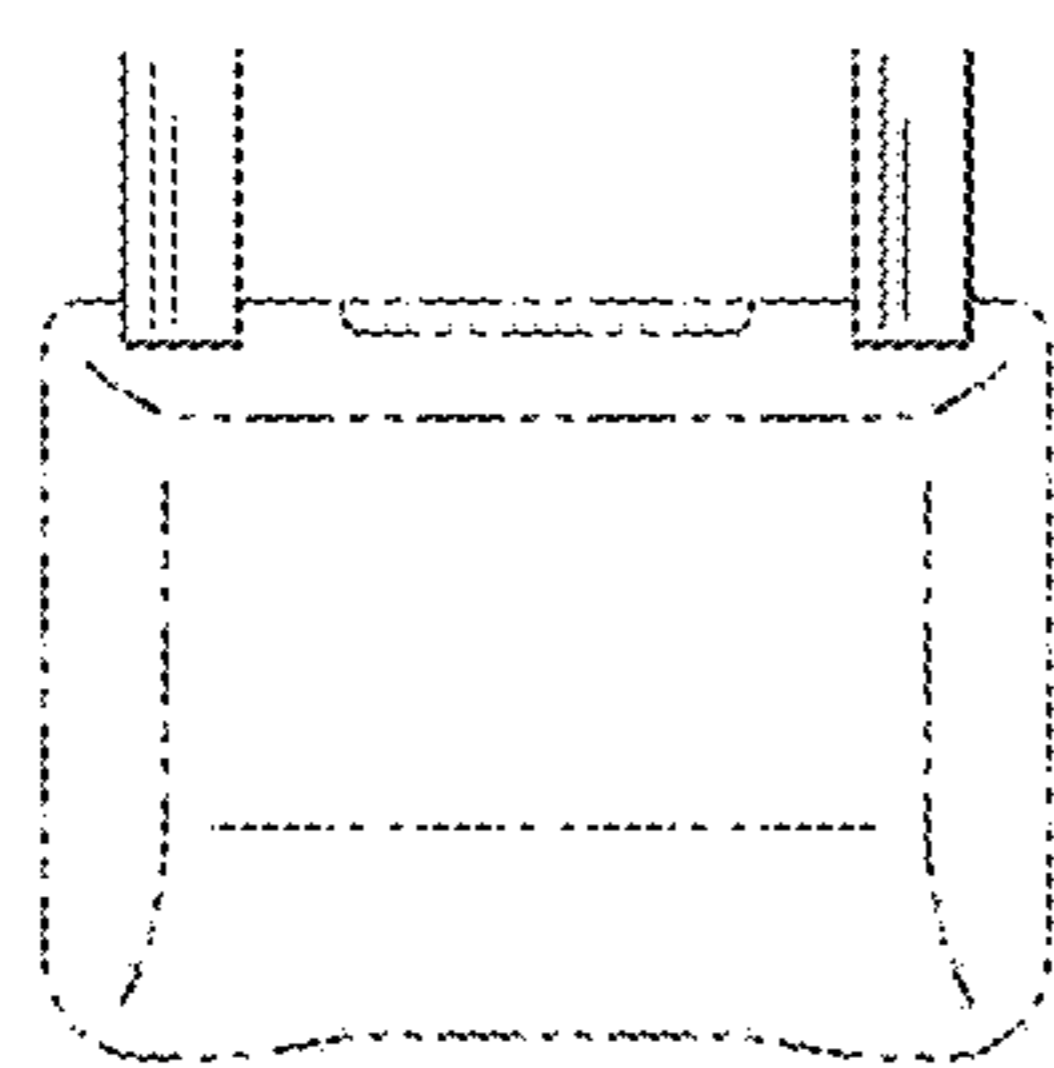


FIG. 16

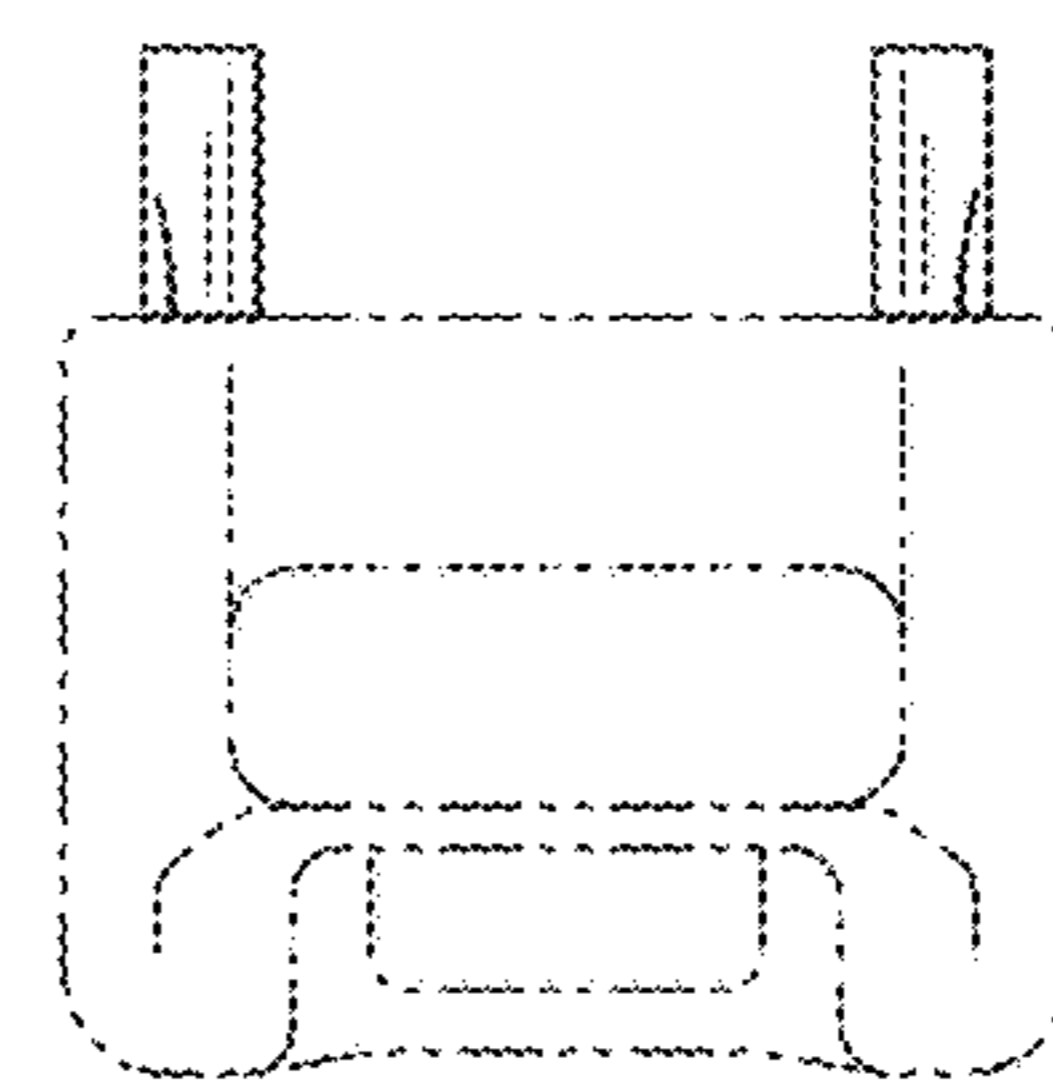


FIG. 17

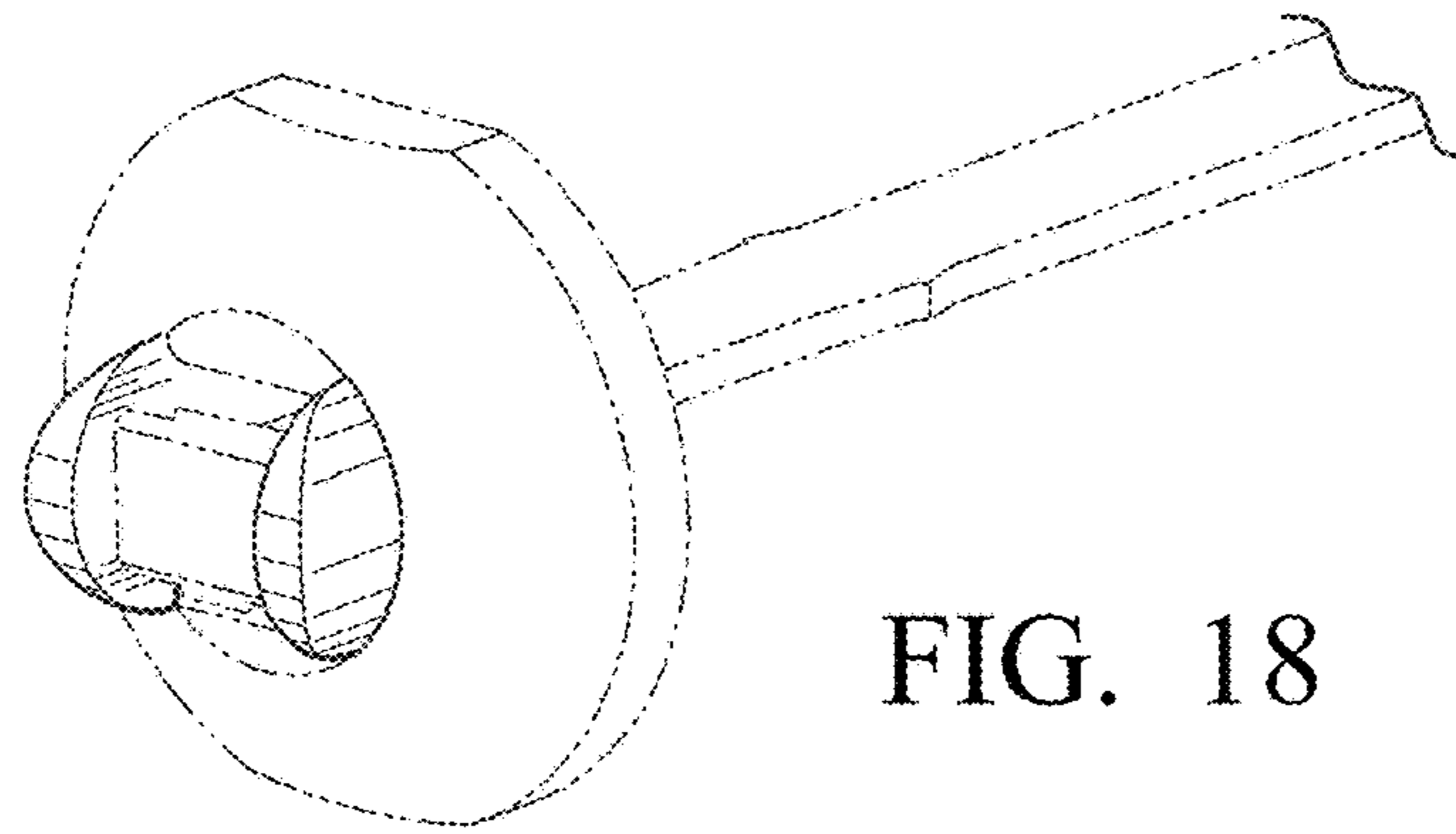


FIG. 18

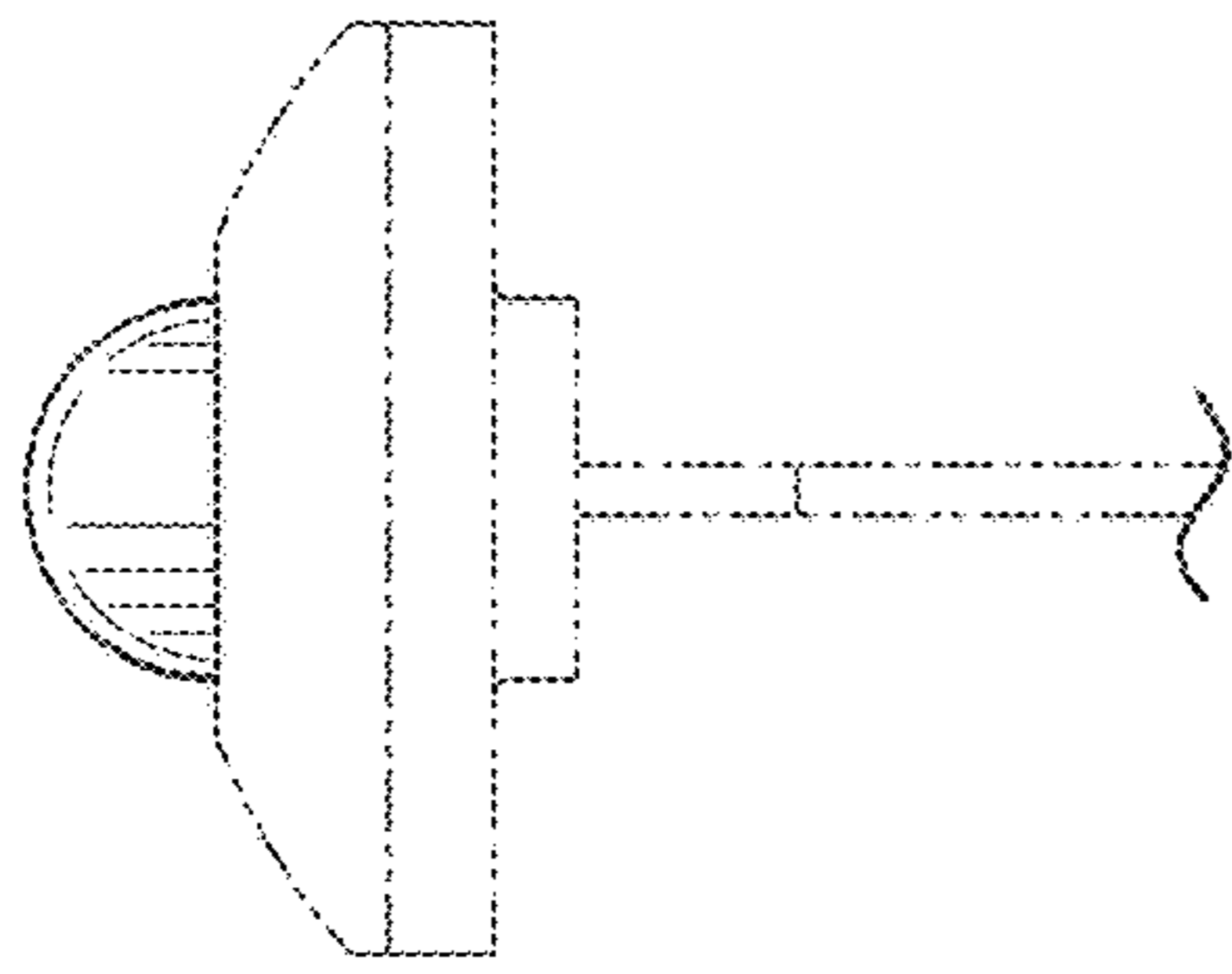


FIG. 19

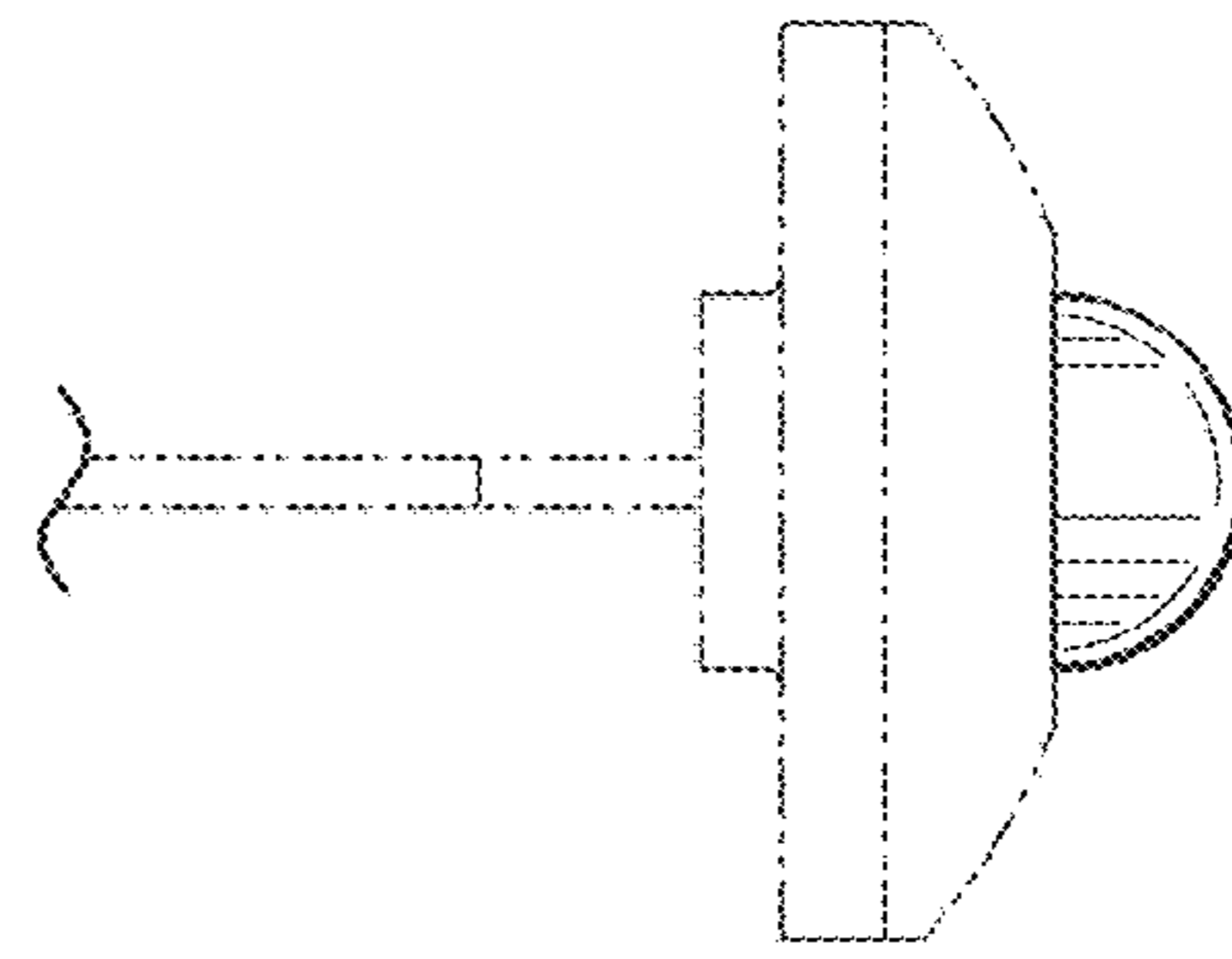


FIG. 20

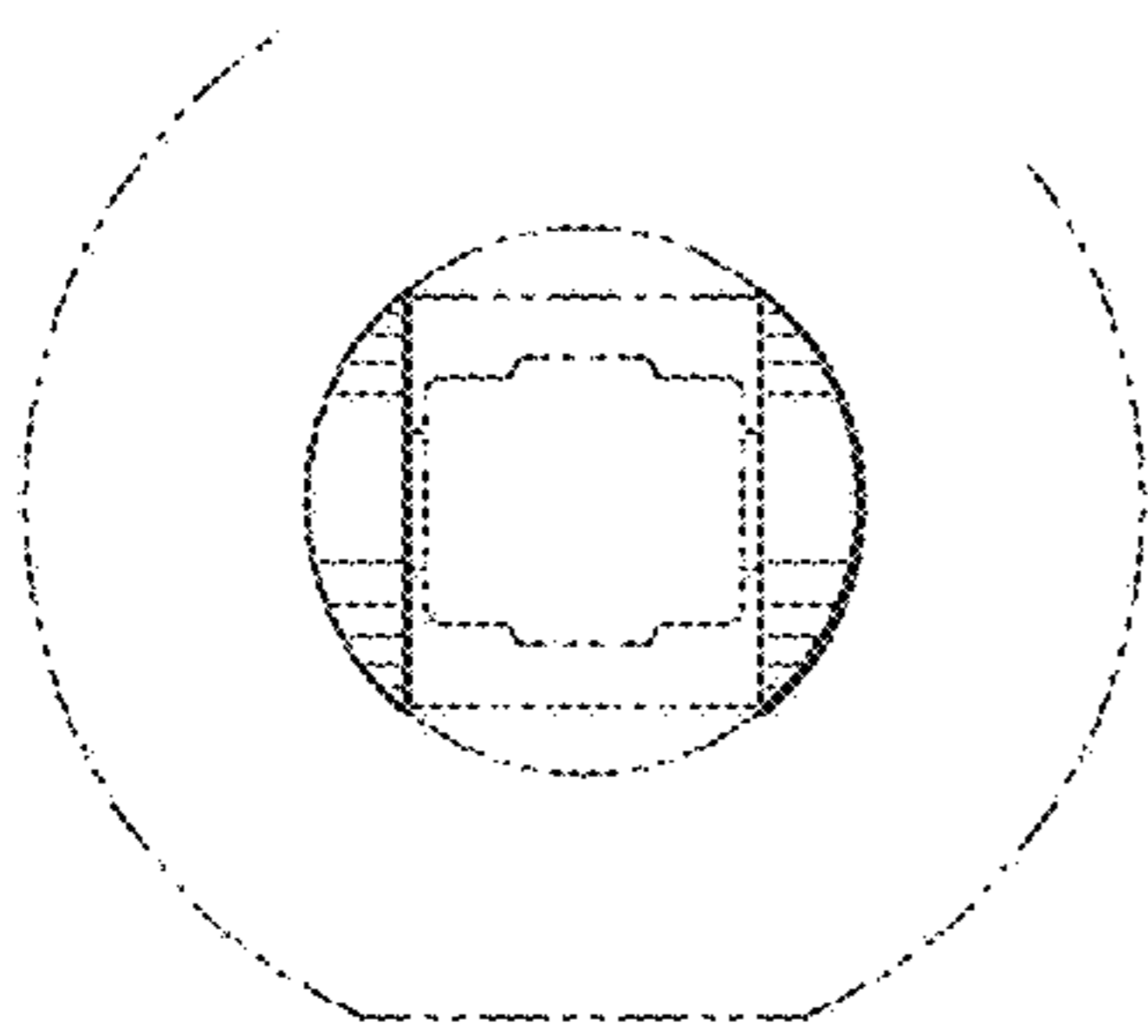


FIG. 21

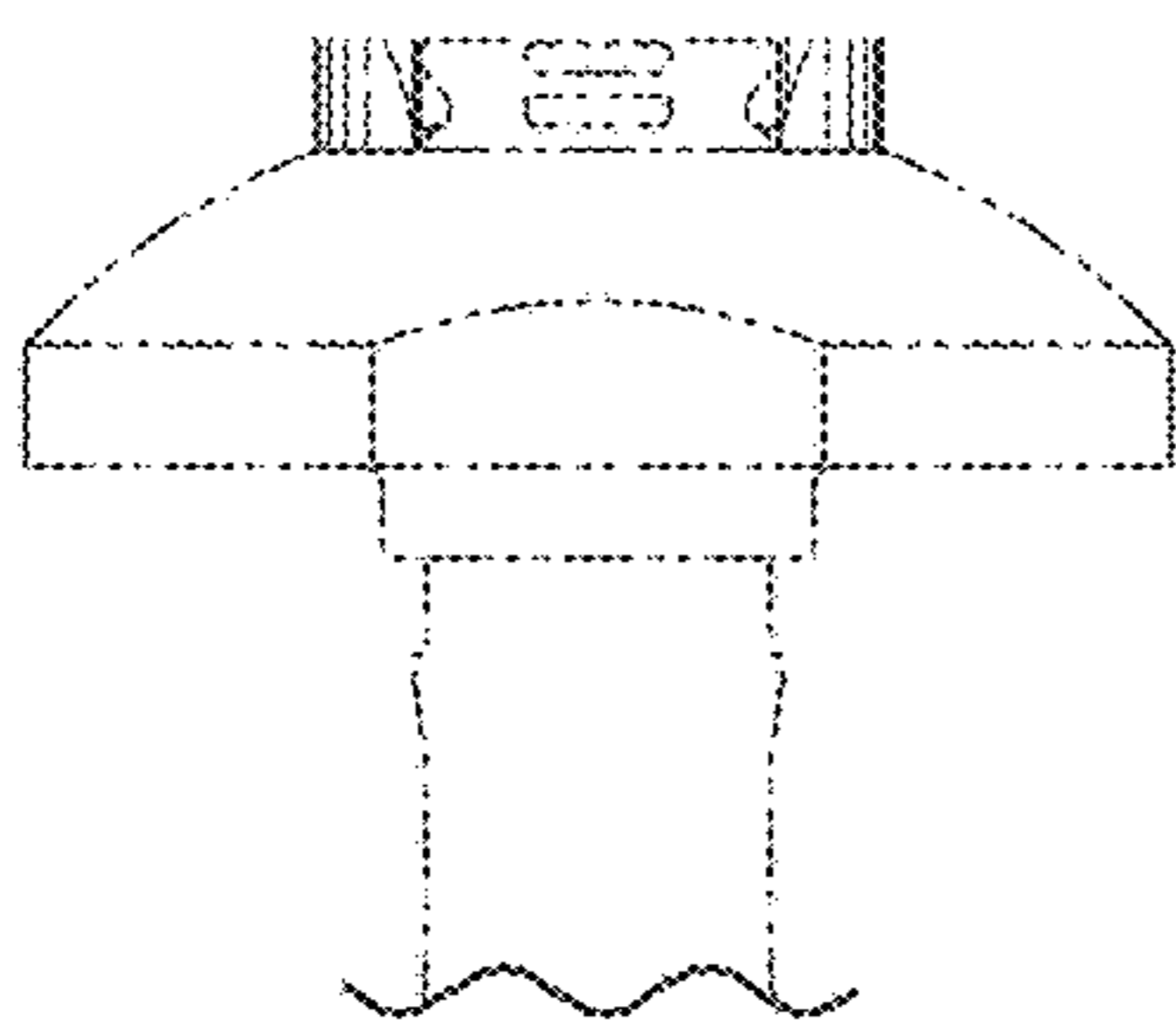


FIG. 22

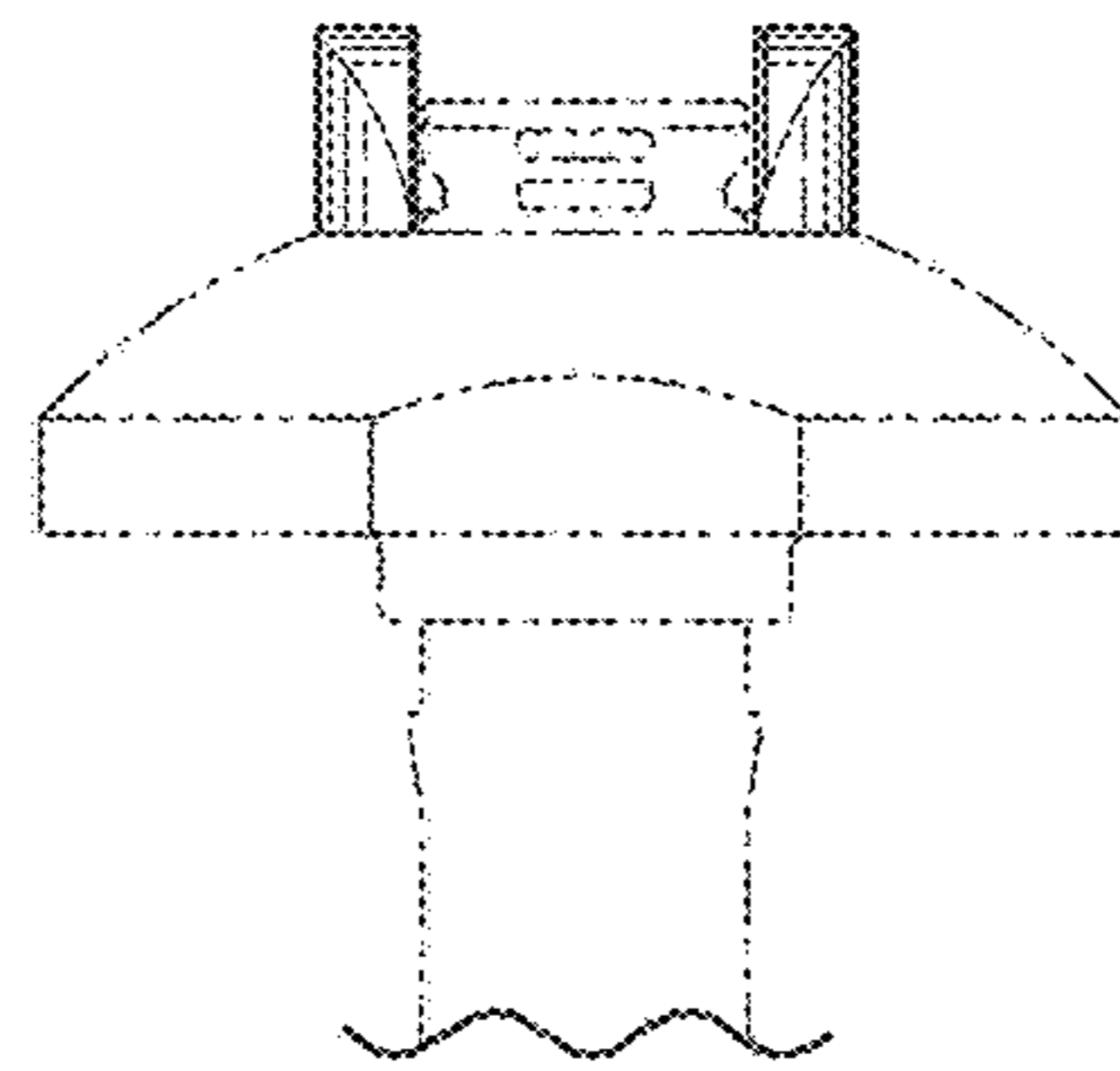


FIG. 23

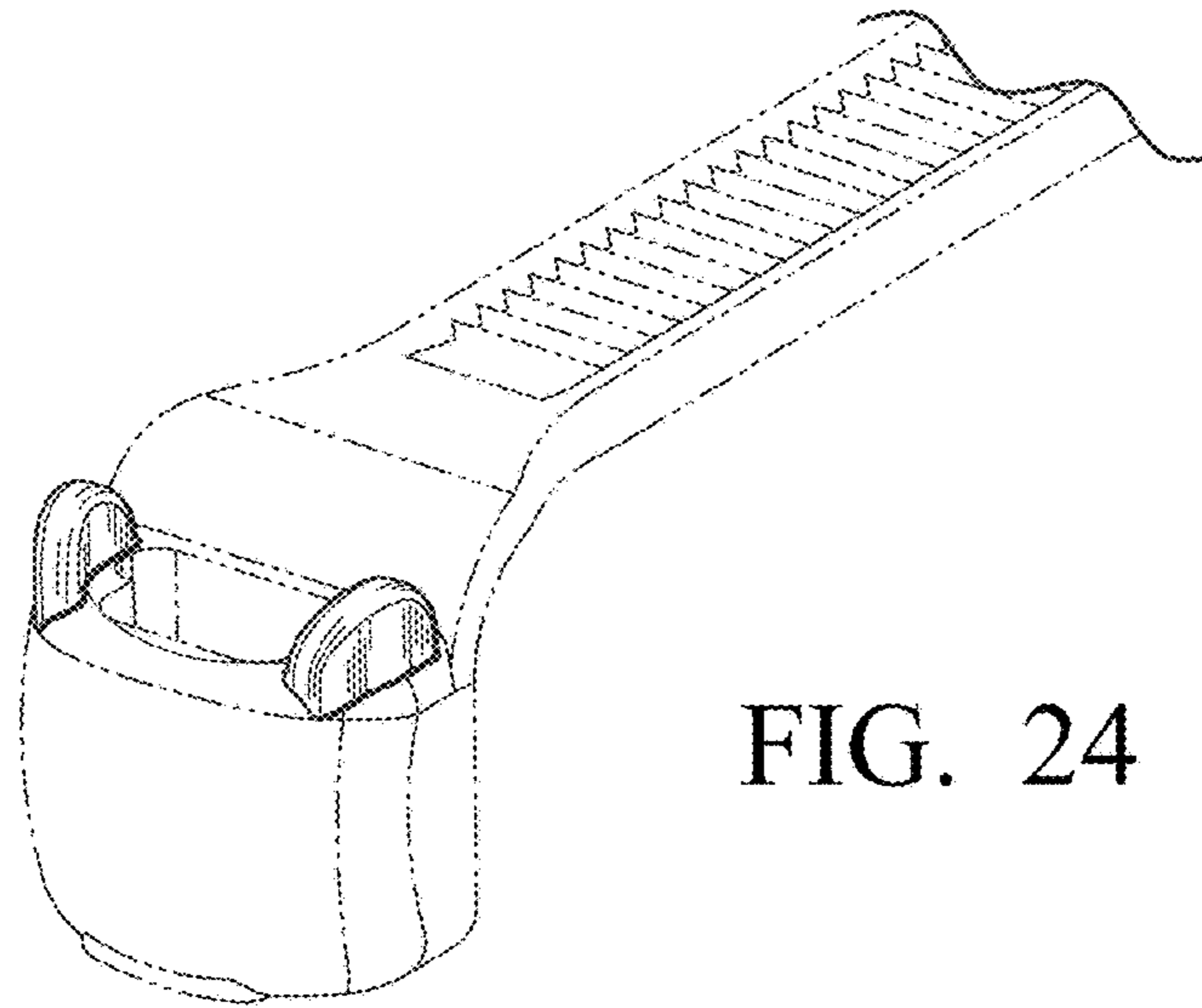


FIG. 24

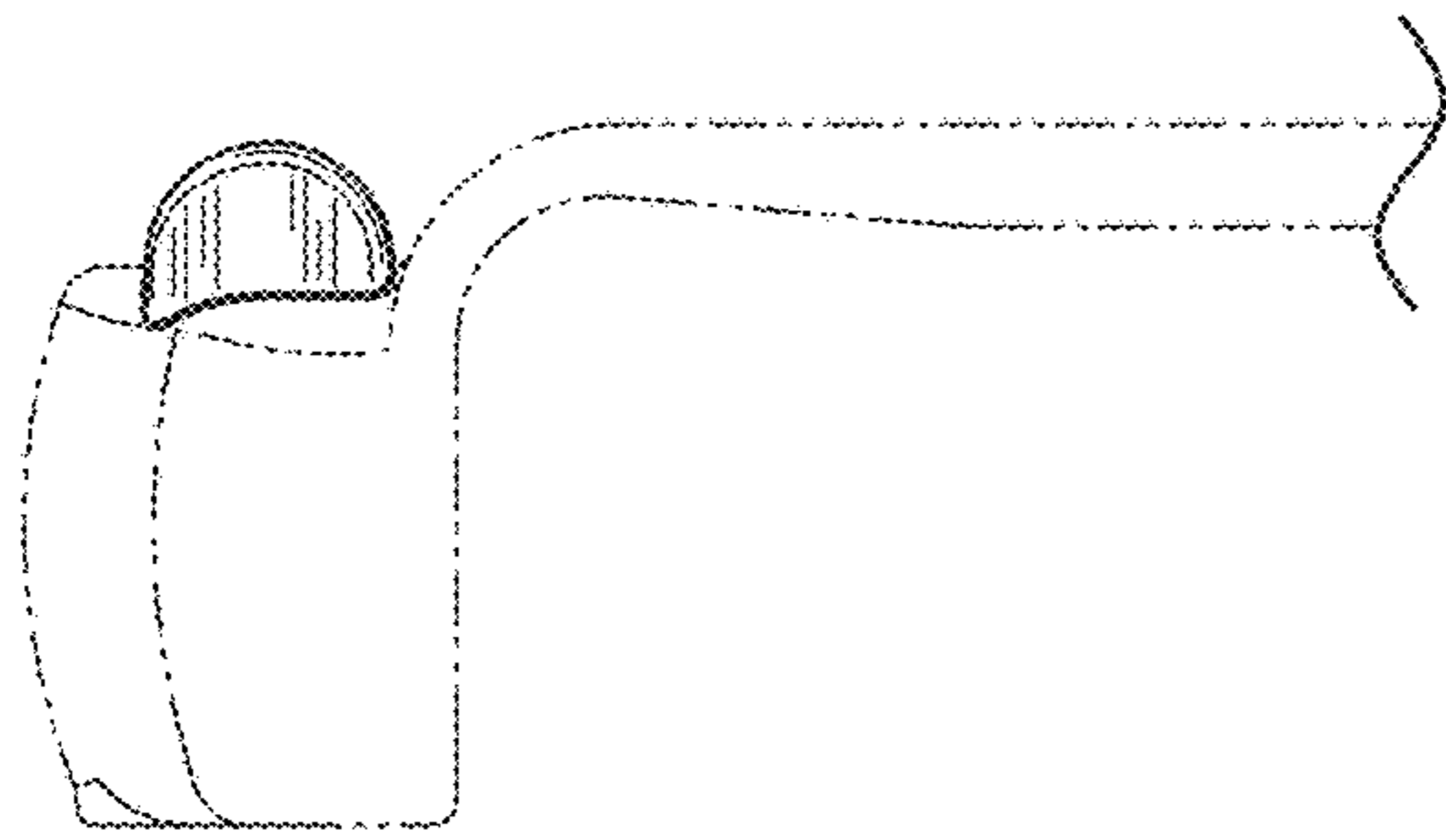


FIG. 25

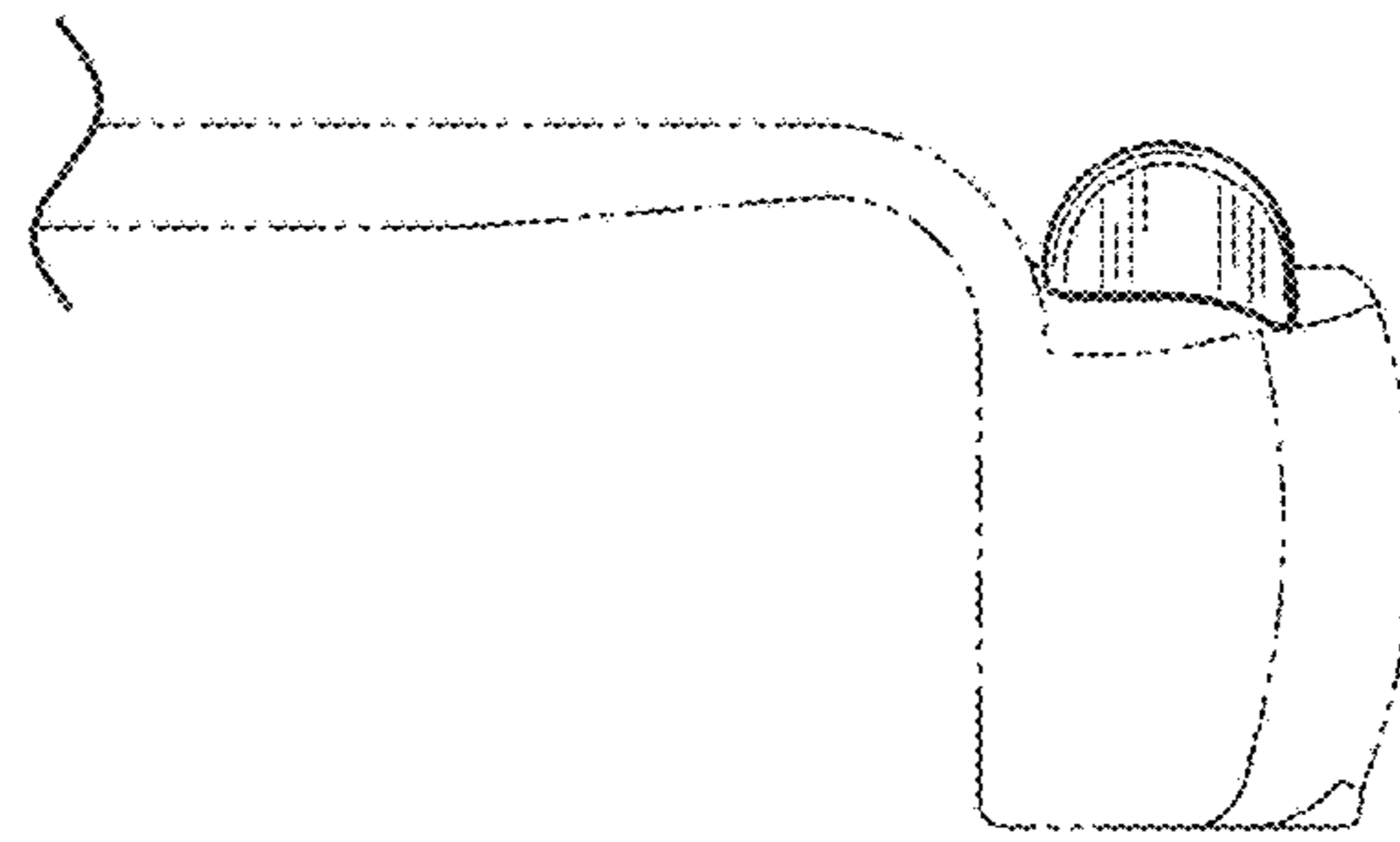


FIG. 26

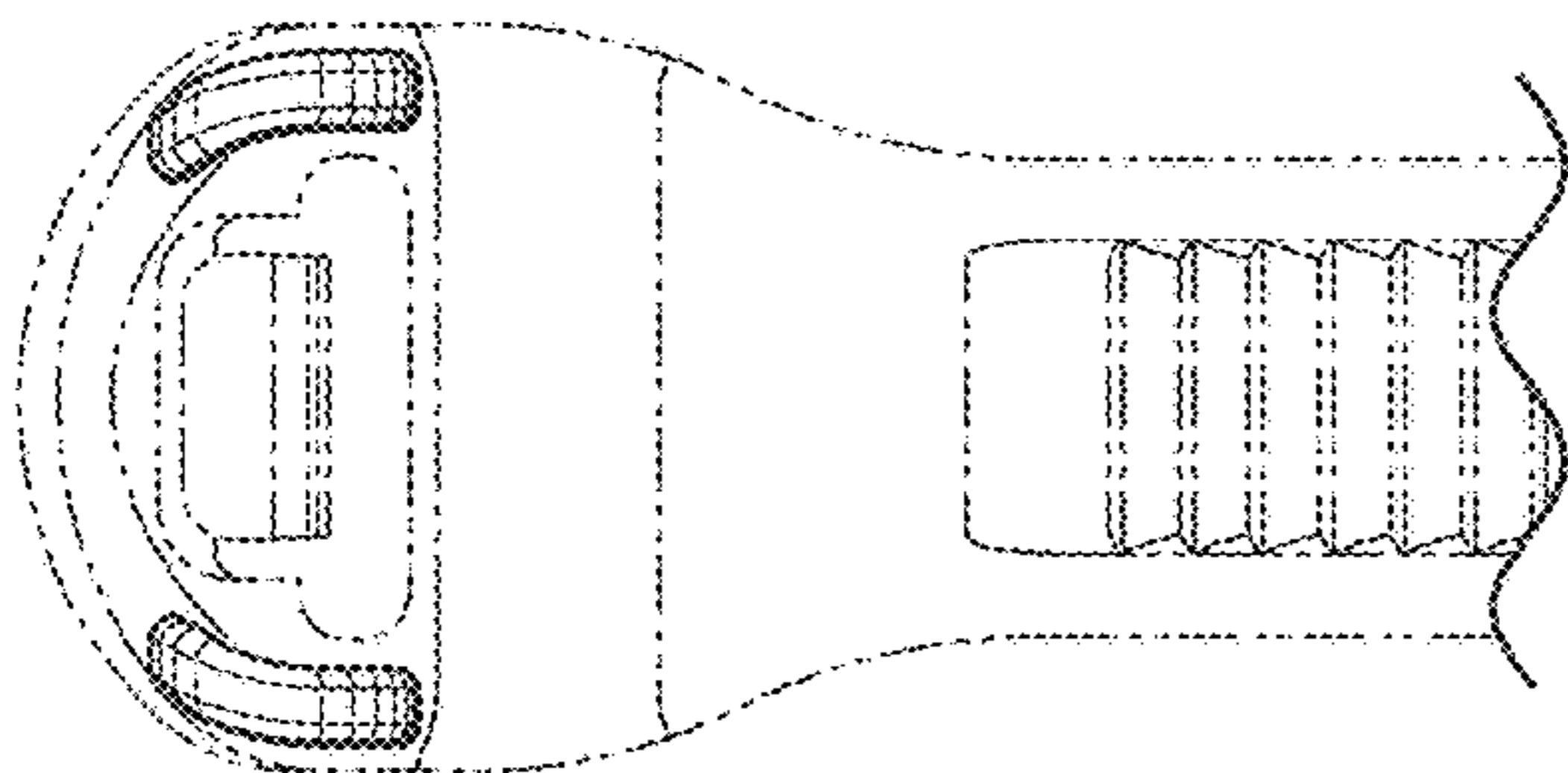


FIG. 27

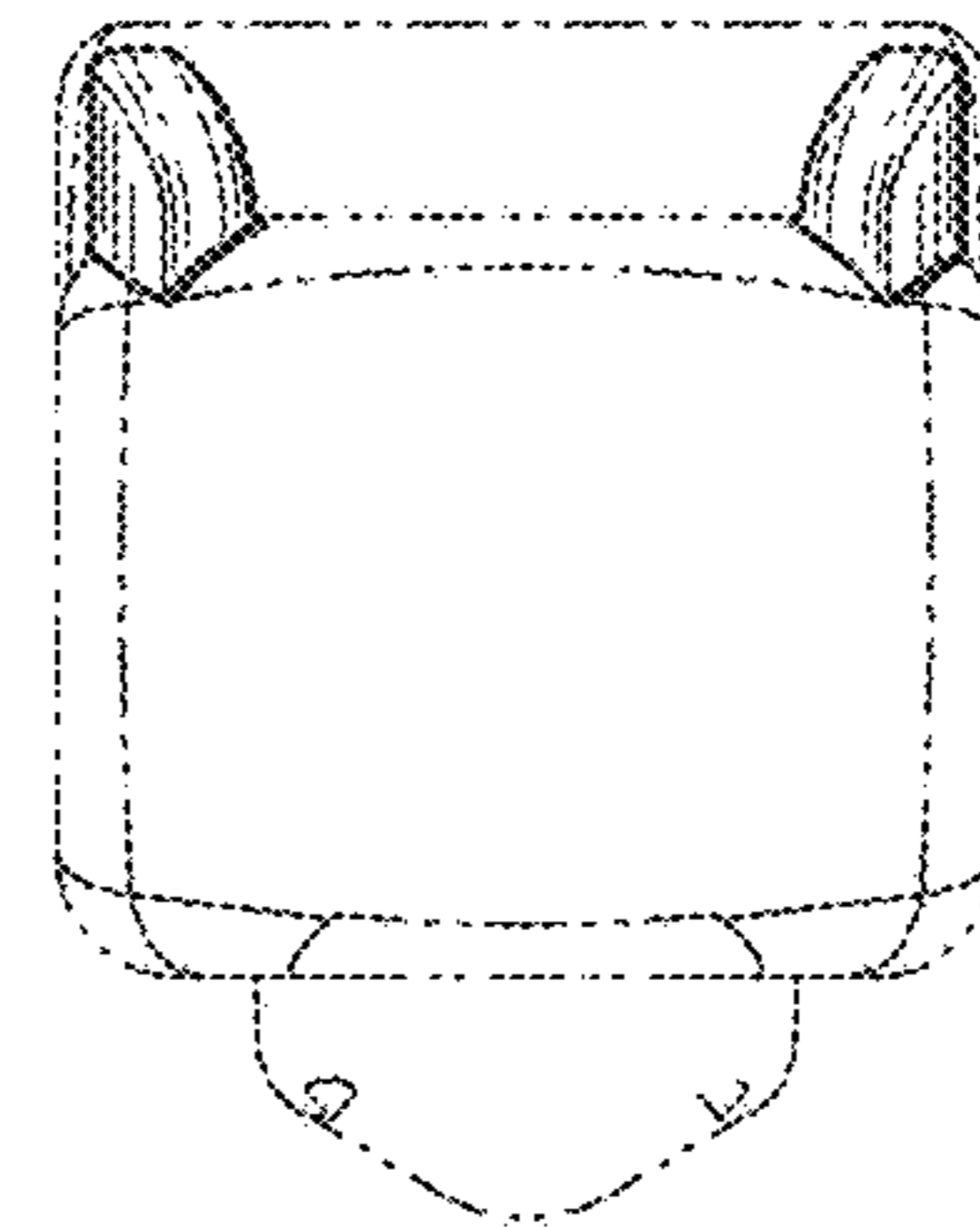


FIG. 28