



US00D844415S

(12) **United States Design Patent**
Kneib

(10) **Patent No.:** **US D844,415 S**

(45) **Date of Patent:** **** Apr. 2, 2019**

(54) **CONCRETE SPACER**

(71) Applicant: **Mark V Kneib**, Fillmore, MO (US)

(72) Inventor: **Mark V Kneib**, Fillmore, MO (US)

(**) Term: **15 Years**

(21) Appl. No.: **29/572,112**

(22) Filed: **Jul. 25, 2016**

(51) **LOC (11) Cl.** **08-05**

(52) **U.S. Cl.**

USPC **D8/354**

(58) **Field of Classification Search**

USPC D8/349, 354, 373, 380, 400, 377;
16/87 B, 87 R, 87.4 R, 93 R, 94 R, 95 R,
16/96 R; 248/188, 188.8, 188.9, 346.5,
248/615, 618, 688; 52/677, 684
See application file for complete search history.

(56) **References Cited**

U.S. PATENT DOCUMENTS

2,365,550	A *	12/1944	Heltzel	E01C 11/12 404/59
2,411,678	A *	11/1946	Cornella	E04G 17/0652 249/217
5,005,331	A *	4/1991	Shaw	E01C 11/14 52/396.02
5,216,862	A *	6/1993	Shaw	E01C 11/14 52/396.02

D354,672	S *	1/1995	Van de Peer	D8/354
D569,229	S *	5/2008	Johns	D8/354
7,475,862	B1 *	1/2009	Anspach	E04G 17/12 249/218
D587,099	S *	2/2009	Brizendine	D8/354
2004/0200087	A1 *	10/2004	Killen	E04D 15/04 33/613

* cited by examiner

Primary Examiner — Janice Hallmark

Assistant Examiner — Harold E Blackwell, II

(74) *Attorney, Agent, or Firm* — Arthur K. Shaffer;
Intellectual Property Center, LLC

(57) **CLAIM**

The ornamental design for a concrete spacer, as shown and described herein.

DESCRIPTION

FIG. 1 is a top perspective view of the concrete spacer in accordance with the new design;

FIG. 2 is a bottom perspective view thereof;

FIG. 3 is a top plan view thereof;

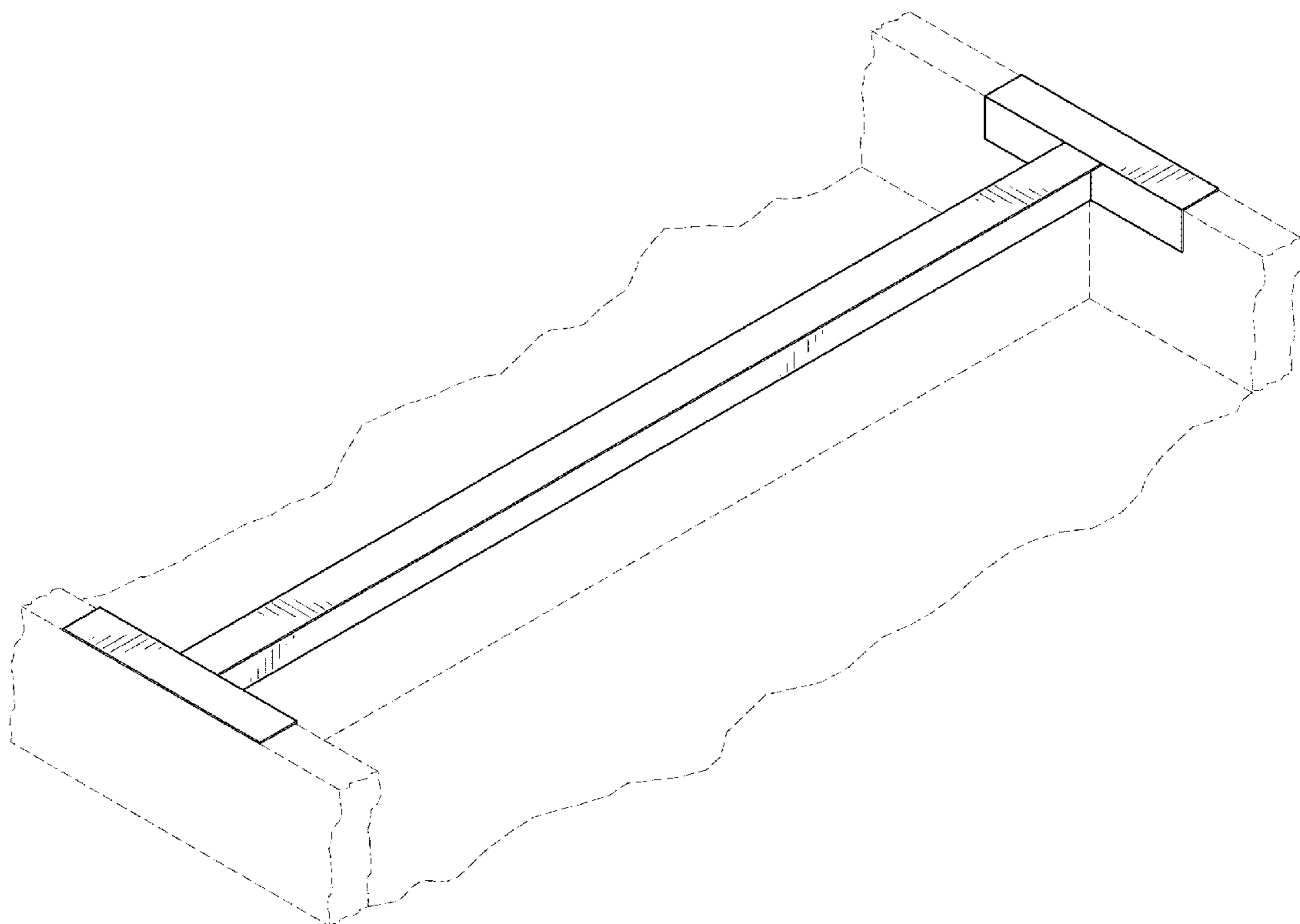
FIG. 4 is a bottom plan view thereof;

FIG. 5 is a side elevation view thereof; the right and left sides being mirror images of each other; and,

FIG. 6 is a front elevation view thereof; the front and back being mirror images of each other.

The broken lines in FIG. 1 illustrate environmental subject matter only and form no part of the claimed design.

1 Claim, 4 Drawing Sheets



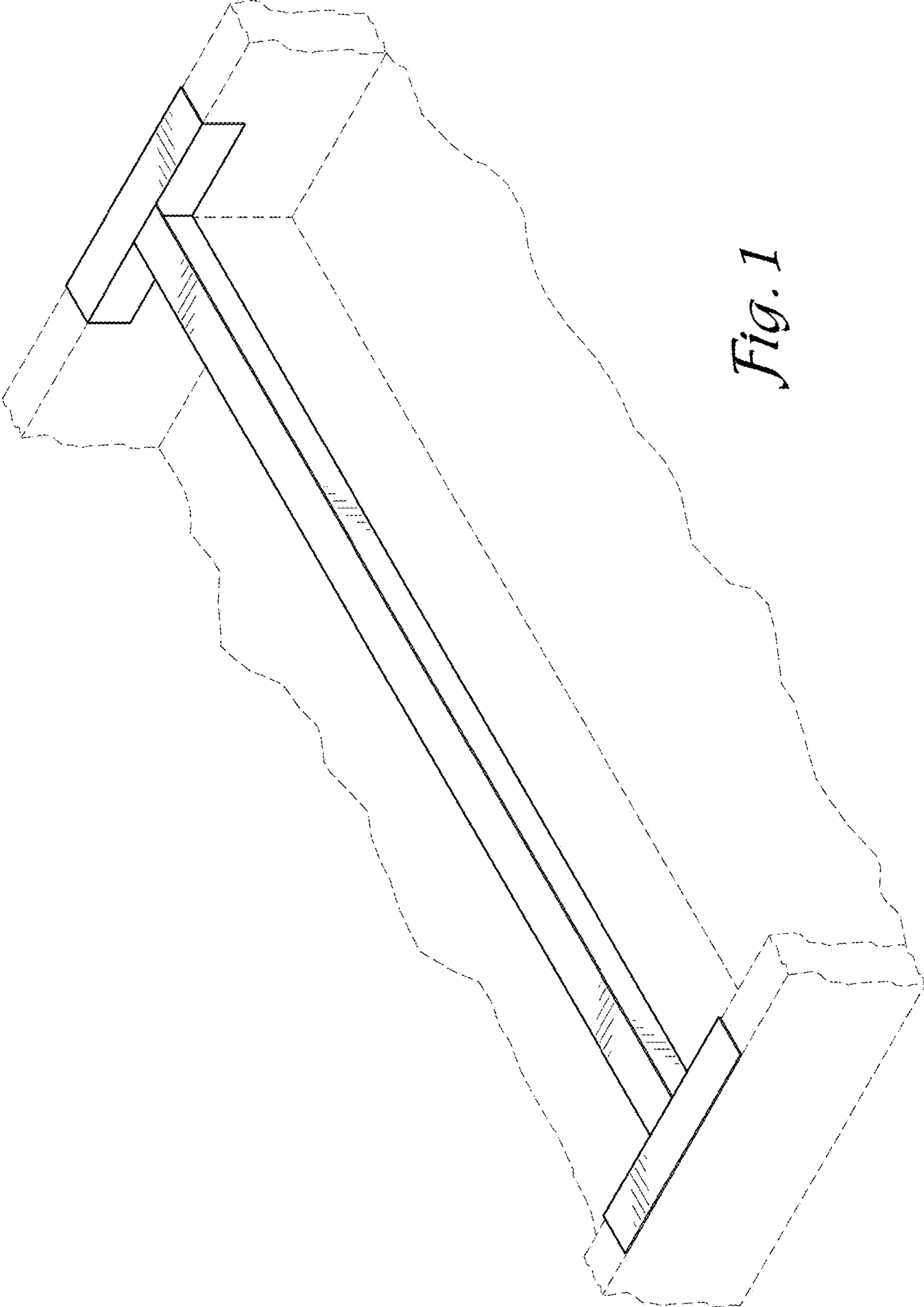


Fig. 1

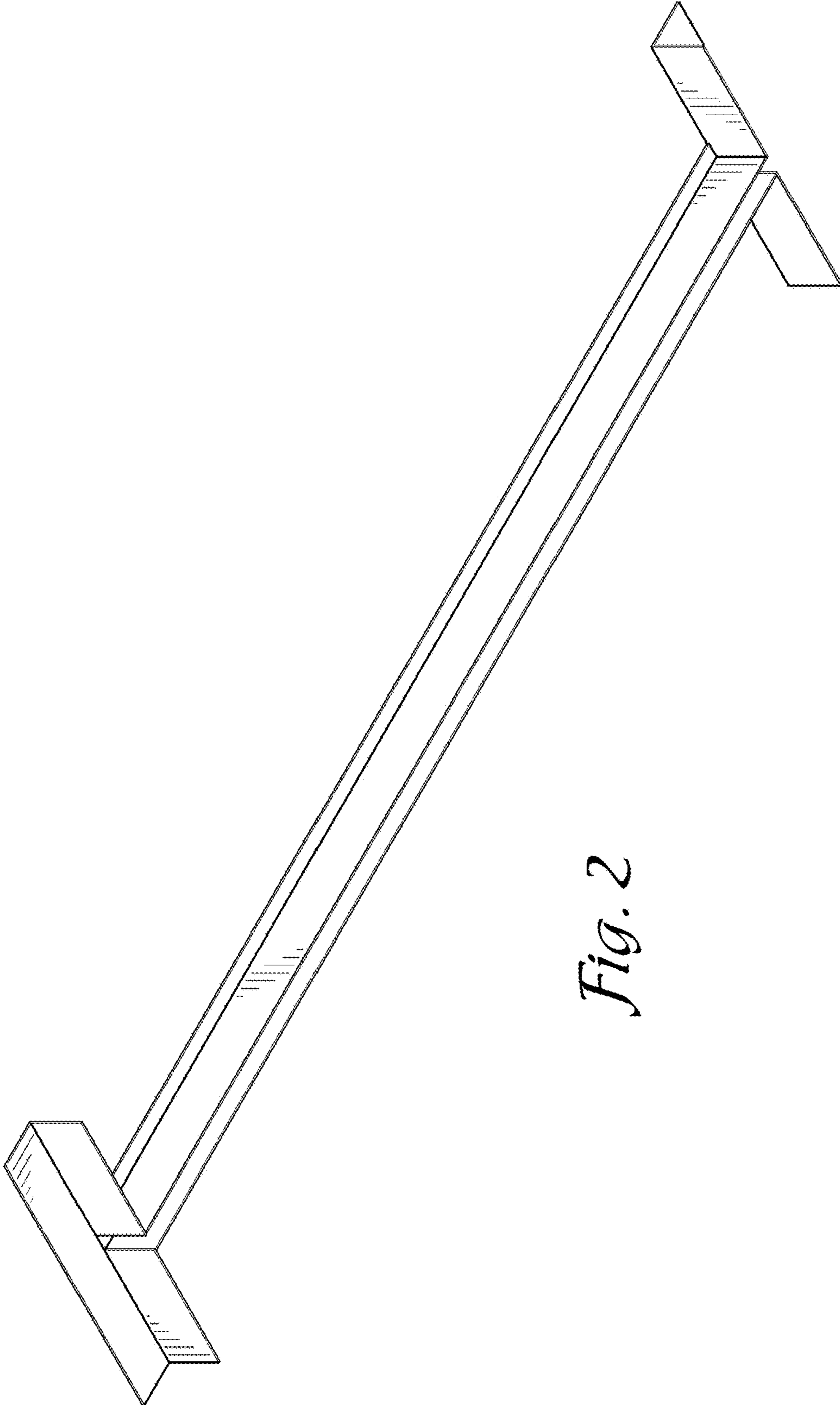


Fig. 2

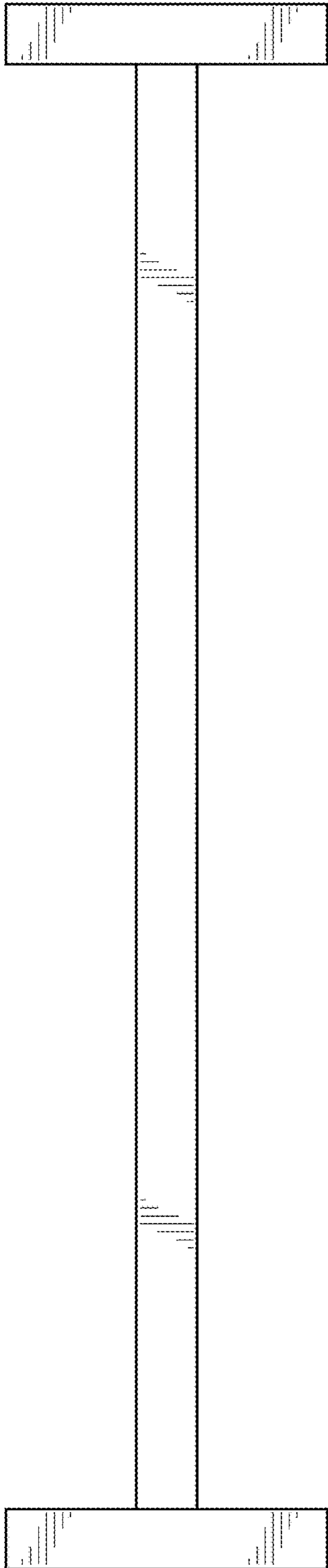


Fig. 3

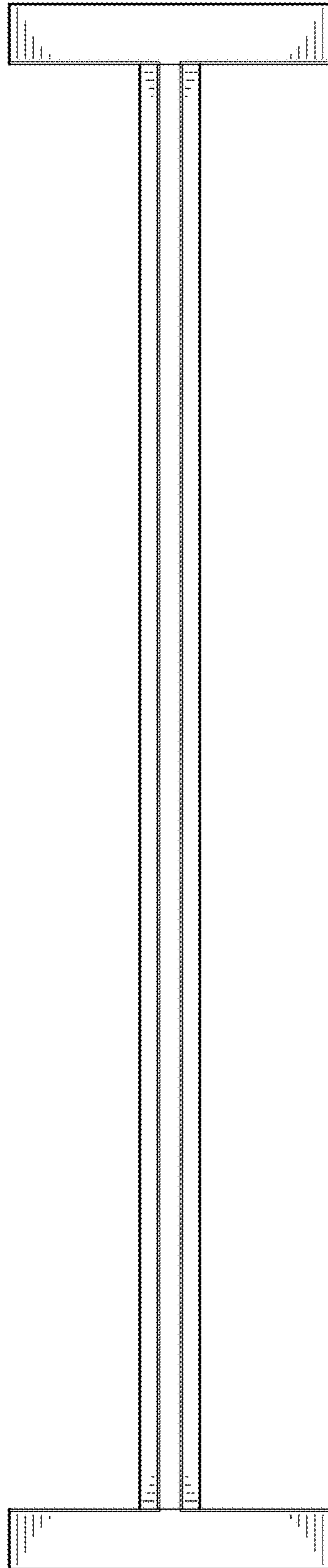


Fig. 4

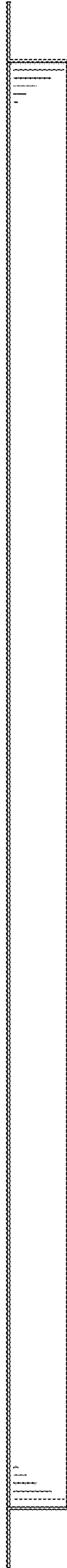


Fig. 5

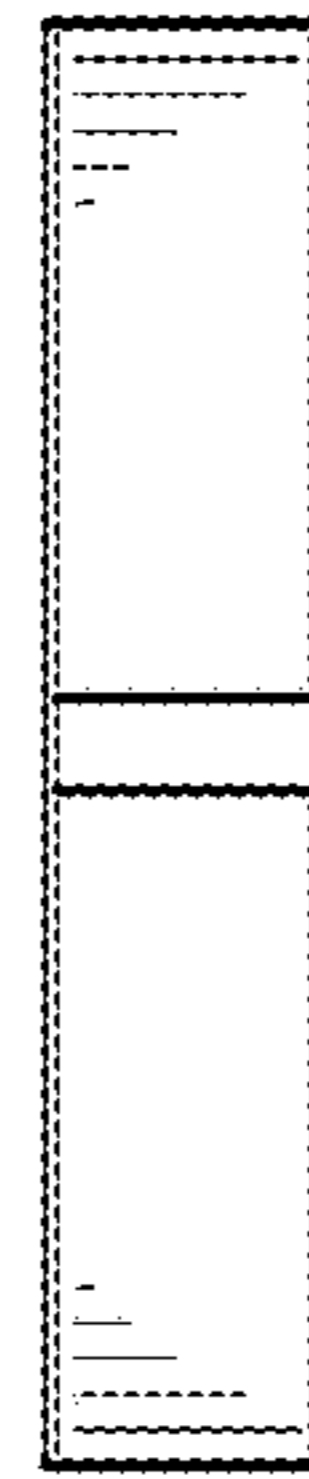


Fig. 6