



US00D844413S

(12) **United States Design Patent** (10) **Patent No.:** **US D844,413 S**  
**Thaler** (45) **Date of Patent:** **\*\* Apr. 2, 2019**

(54) **MOUNTING BRACKET FOR A SHELF OR ROD**

(71) Applicant: **Hermann Thaler**, Schruns (AT)

(72) Inventor: **Hermann Thaler**, Schruns (AT)

(\*\*) Term: **15 Years**

(21) Appl. No.: **35/503,757**

(22) Filed: **Aug. 17, 2017**

(80) **Hague Agreement Data**

Int. Filing Date: **Aug. 17, 2017**

Int. Reg. No.: **DM/097836**

Int. Reg. Date: **Aug. 17, 2017**

Int. Reg. Pub. Date: **Oct. 6, 2017**

(30) **Foreign Application Priority Data**

Mar. 6, 2017 (EM) ..... 3785526

(51) **LOC (11) Cl.** ..... **08-05**

(52) **U.S. Cl.**  
USPC ..... **D8/349**

(58) **Field of Classification Search**  
USPC ..... D8/349, 371, 353, 354, 380, 381;  
D6/552, 553; D20/42  
CPC ..... Y10T 24/44017  
See application file for complete search history.

(56) **References Cited**

**U.S. PATENT DOCUMENTS**

D199,841 S \* 12/1964 Margulis ..... D8/371  
D230,348 S \* 2/1974 Sabel ..... D8/363

D269,944 S \* 8/1983 Young ..... D32/40  
D355,350 S \* 2/1995 Frakes ..... D15/9.1  
D387,970 S \* 12/1997 Enslen ..... D8/349  
D450,561 S \* 11/2001 Moore ..... D11/200  
D581,315 S \* 11/2008 Paris ..... D11/200  
D630,495 S \* 1/2011 Allina, Jr. .... D8/356  
D719,822 S \* 12/2014 Van Es ..... D8/366  
D764,900 S \* 8/2016 Fisher ..... D8/367  
D768,466 S \* 10/2016 Simmons ..... D8/354  
D772,105 S \* 11/2016 Peach ..... D12/42  
D792,197 S \* 7/2017 Kundig ..... D8/371

\* cited by examiner

*Primary Examiner* — Eliza Z Bennett-Hattan

(74) *Attorney, Agent, or Firm* — Wenderoth, Lind & Ponack, L.L.P.

(57) **CLAIM**

The ornamental design for mounting bracket for a shelf or rod, as shown and described.

**DESCRIPTION**

FIG. 3.1 is a perspective view of a mounting bracket for a shelf or rod;  
FIG. 3.2 is a top view thereof;  
FIG. 3.3 is a bottom view thereof;  
FIG. 3.4 is a front view thereof;  
FIG. 3.5 is a rear view thereof;  
FIG. 3.6 is a left side view thereof; and  
FIG. 3.7 is a right side view thereof.

**1 Claim, 7 Drawing Sheets**

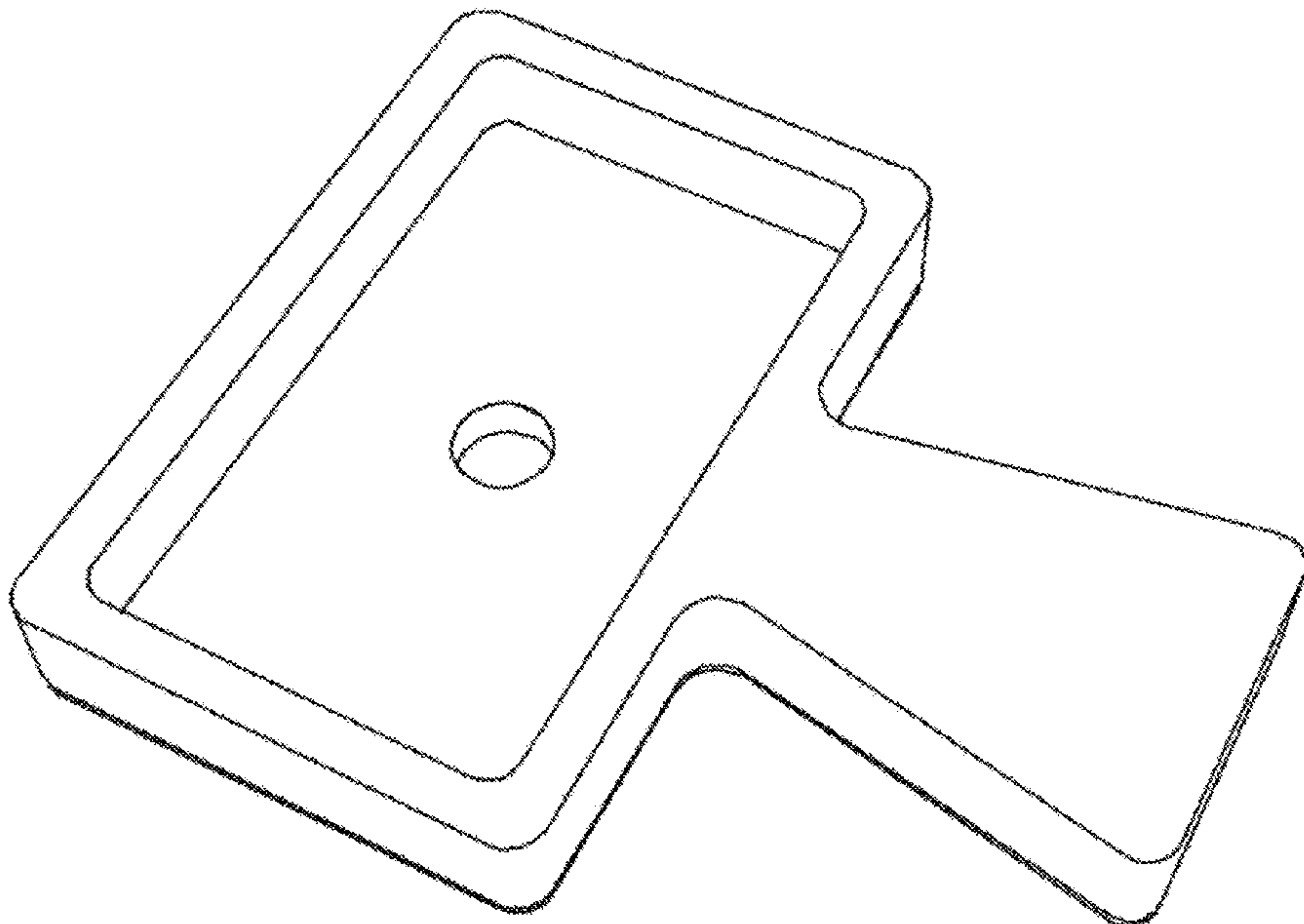


FIG. 3.1

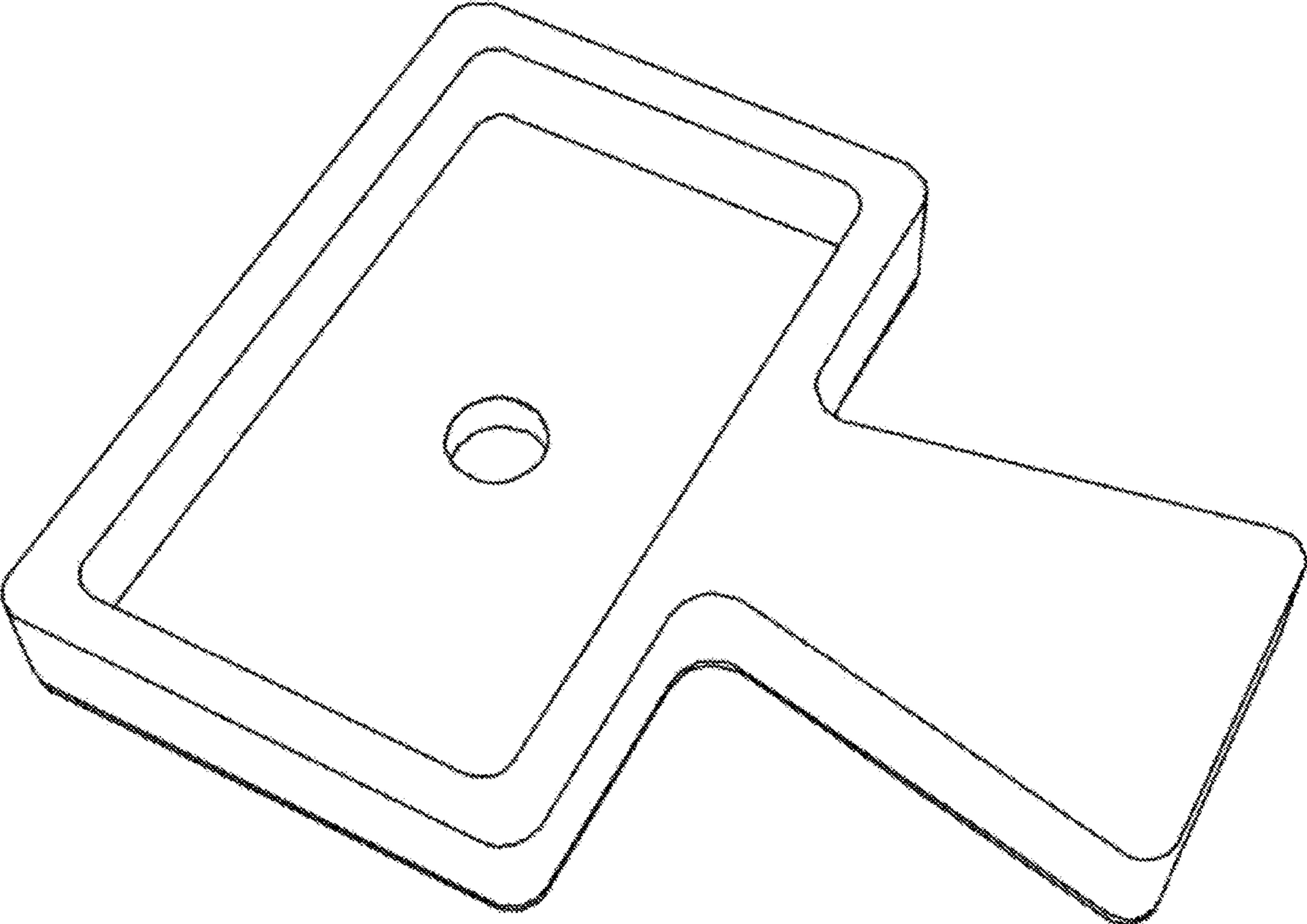


FIG. 3.2

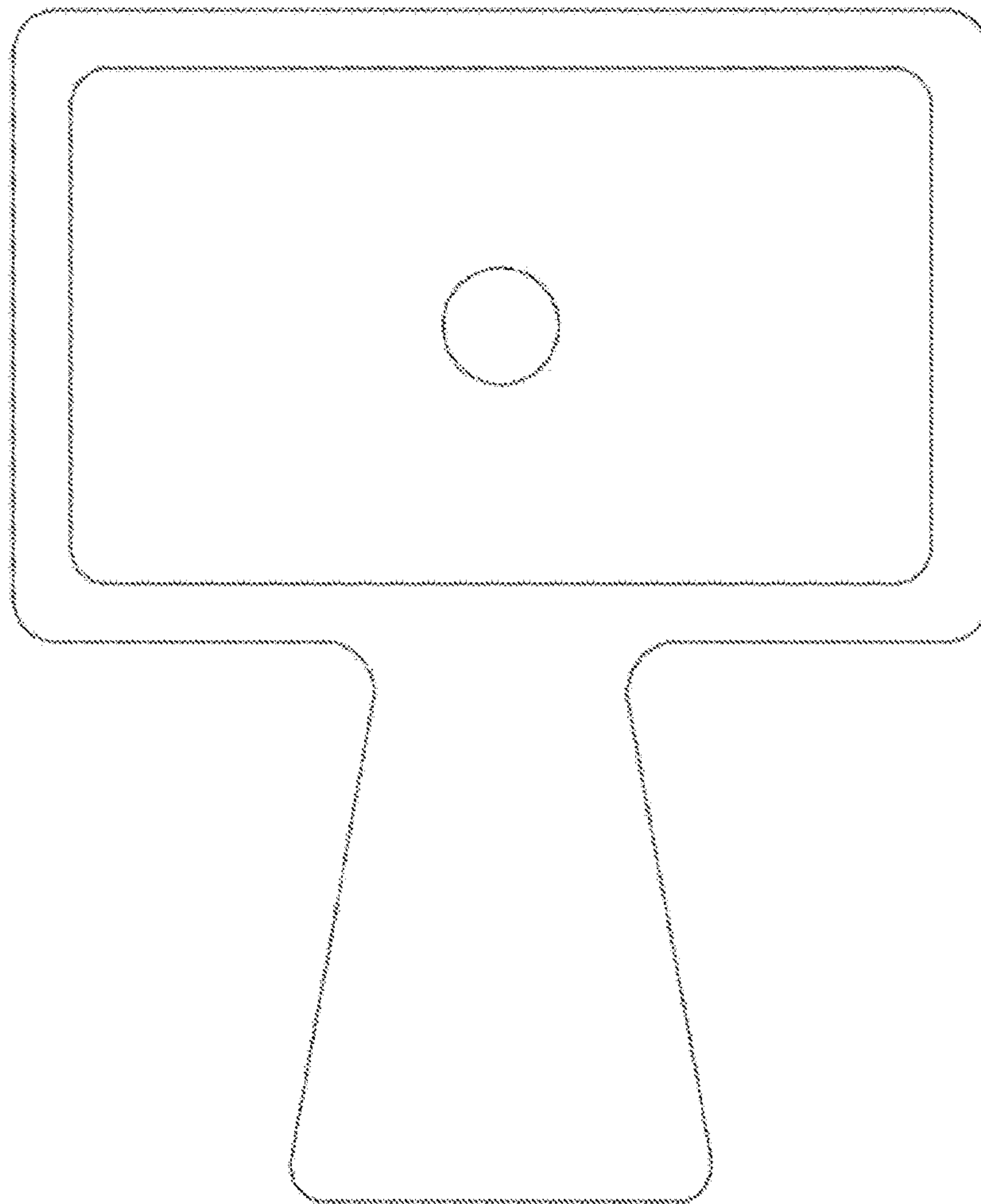


FIG. 3.3

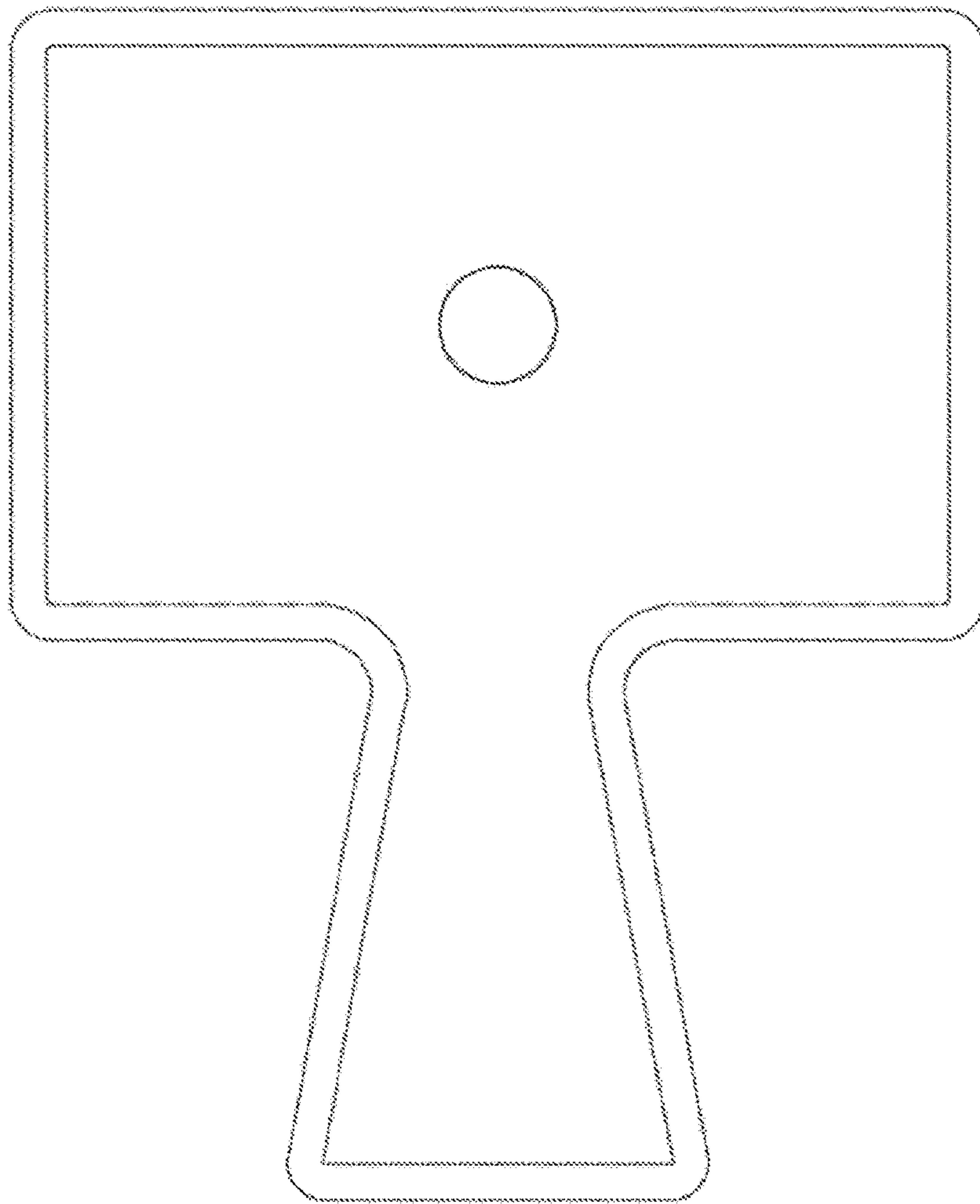


FIG. 3.4

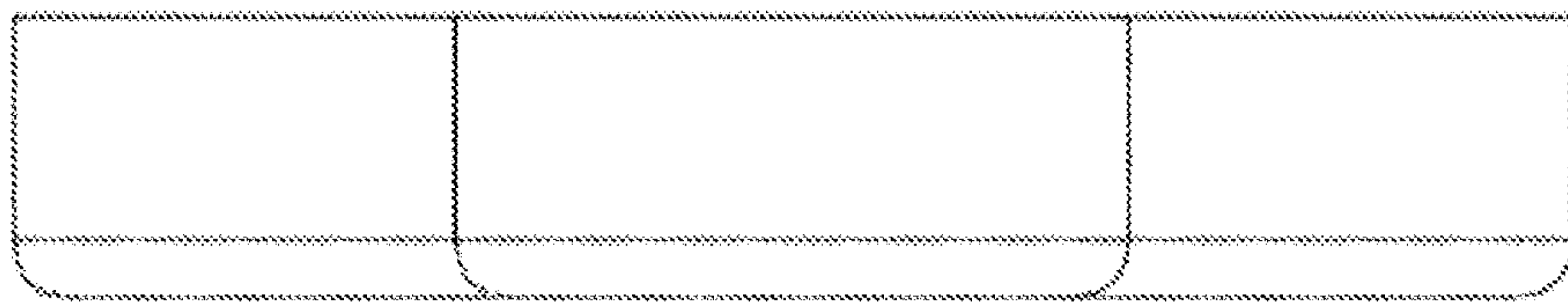


FIG. 3.5

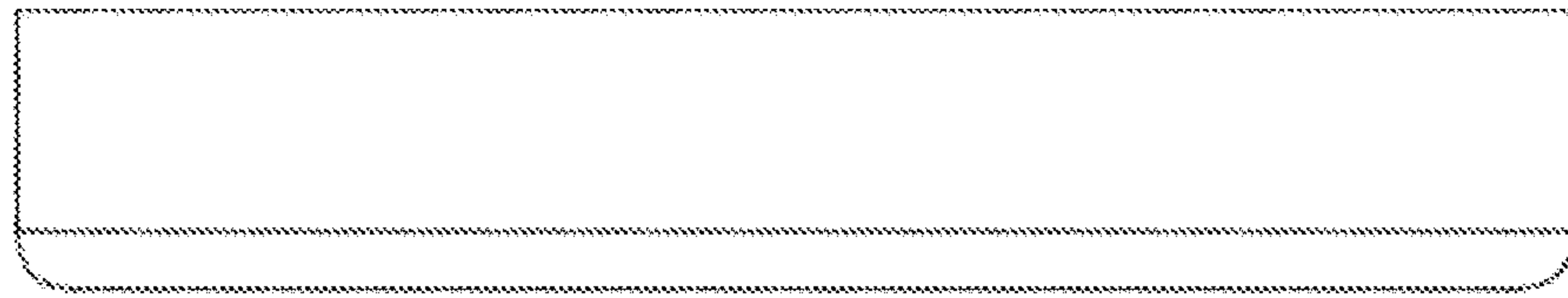


FIG. 3.6

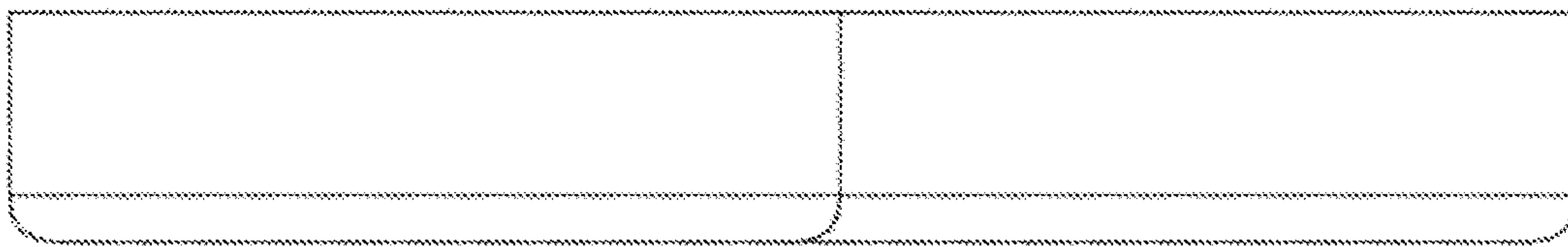


FIG. 3.7

