



US00D844412S

(12) **United States Design Patent**  
**Von Holzhausen et al.**

(10) **Patent No.:** **US D844,412 S**  
(45) **Date of Patent:** **\*\* Apr. 2, 2019**

(54) **WINDOW LATCH**  
(71) Applicant: **Tesla, Inc.**, Palo Alto, CA (US)  
(72) Inventors: **Franz Von Holzhausen**, Malibu, CA (US); **Ivan Lampkin**, Redondo Beach, CA (US); **Pascal Grappey**, Rancho Palos Verdes, CA (US)

D408,263 S \* 4/1999 Briggs ..... D8/337  
D418,737 S \* 1/2000 Libby ..... D8/337  
D424,482 S \* 5/2000 Hanson ..... D12/133  
D442,058 S \* 5/2001 Miller ..... D8/337  
6,983,963 B2 \* 1/2006 Eslick ..... E05B 13/002  
292/209  
D527,613 S \* 9/2006 Omangi ..... D8/331  
D553,947 S \* 10/2007 Flory ..... D8/331

(Continued)

(73) Assignee: **Tesla, Inc.**, Palo Alto, CA (US)

(\*\*) Term: **15 Years**

(21) Appl. No.: **29/619,063**

(22) Filed: **Sep. 26, 2017**

(51) **LOC (11) Cl.** ..... **08-07**

(52) **U.S. Cl.**  
USPC ..... **D8/337**

(58) **Field of Classification Search**  
USPC ..... D8/330, 331, 336, 337, 338, 339  
CPC ..... E05B 13/002; E05B 1/003; E05B 1/0092;  
E05B 7/00; E05B 9/00; E05B 85/00;  
E05B 85/08; B60J 1/14; Y10S 292/06;  
E05C 3/041; Y10T 292/1092  
See application file for complete search history.

(56) **References Cited**

U.S. PATENT DOCUMENTS

D16,507 S \* 2/1886 Huttig et al. .... D8/337  
3,652,112 A \* 3/1972 Panelli ..... E05B 17/2053  
292/210  
4,124,239 A \* 11/1978 Horton ..... E05C 3/041  
292/210  
4,932,694 A \* 6/1990 Cater, Sr. .... E05B 65/0841  
292/210  
D350,275 S \* 9/1994 Olsen ..... D8/338  
5,505,505 A \* 4/1996 Follows ..... E05B 15/0053  
292/58  
D369,741 S \* 5/1996 Harrison ..... D8/309  
D382,191 S \* 8/1997 Plummer ..... D8/337  
D382,192 S \* 8/1997 Plummer ..... D8/337

OTHER PUBLICATIONS

<https://www.artstation.com/artwork/gNmnQ> Dec. 2017 (Year: 2017).\*  
<https://www.youtube.com/watch?v=zrOTyqsKhAc> posted Nov. 24, 2017 (Year: 2017).\*

Primary Examiner — Leanne Was-Englehart

(74) Attorney, Agent, or Firm — Haynes and Boone, LLP

(57) **CLAIM**

The ornamental design for a window latch, as shown and described.

**DESCRIPTION**

FIG. 1 is a perspective view of a window latch.  
FIG. 2 is a left side elevational view of the window latch of FIG. 1.  
FIG. 3 is a right side elevational view of the window latch of FIG. 1.  
FIG. 4 is a top plan view of the window latch of FIG. 1.  
FIG. 5 is a bottom plan view of the window latch of FIG. 1.  
FIG. 6 is an elevational view showing the top of the window latch of FIG. 1.  
FIG. 7 is an elevational view showing the underside of the window latch of FIG. 1; and,  
FIG. 8 is a perspective view of the window latch of FIG. 1 sitting within a semi-truck cab; details of the semi-truck cab interior form no part of the claimed design.  
The items shown with broken lines form no part of the claimed design.

**1 Claim, 8 Drawing Sheets**



(56)

**References Cited**

U.S. PATENT DOCUMENTS

D554,971 S *	11/2007	Flory .....	D8/308
D572,112 S *	7/2008	Schlumbom .....	D8/337
D649,861 S *	12/2011	Mitchell .....	D8/331
D687,288 S *	8/2013	Lawrence .....	D8/331
D699,095 S *	2/2014	Patterson .....	D8/331
D700,039 S *	2/2014	Kim .....	D8/331
D715,130 S *	10/2014	Sayegh .....	D8/331
D775,929 S *	1/2017	Liau .....	D8/331
2013/0234452 A1 *	9/2013	Masumoto .....	E05C 3/145 292/202

\* cited by examiner

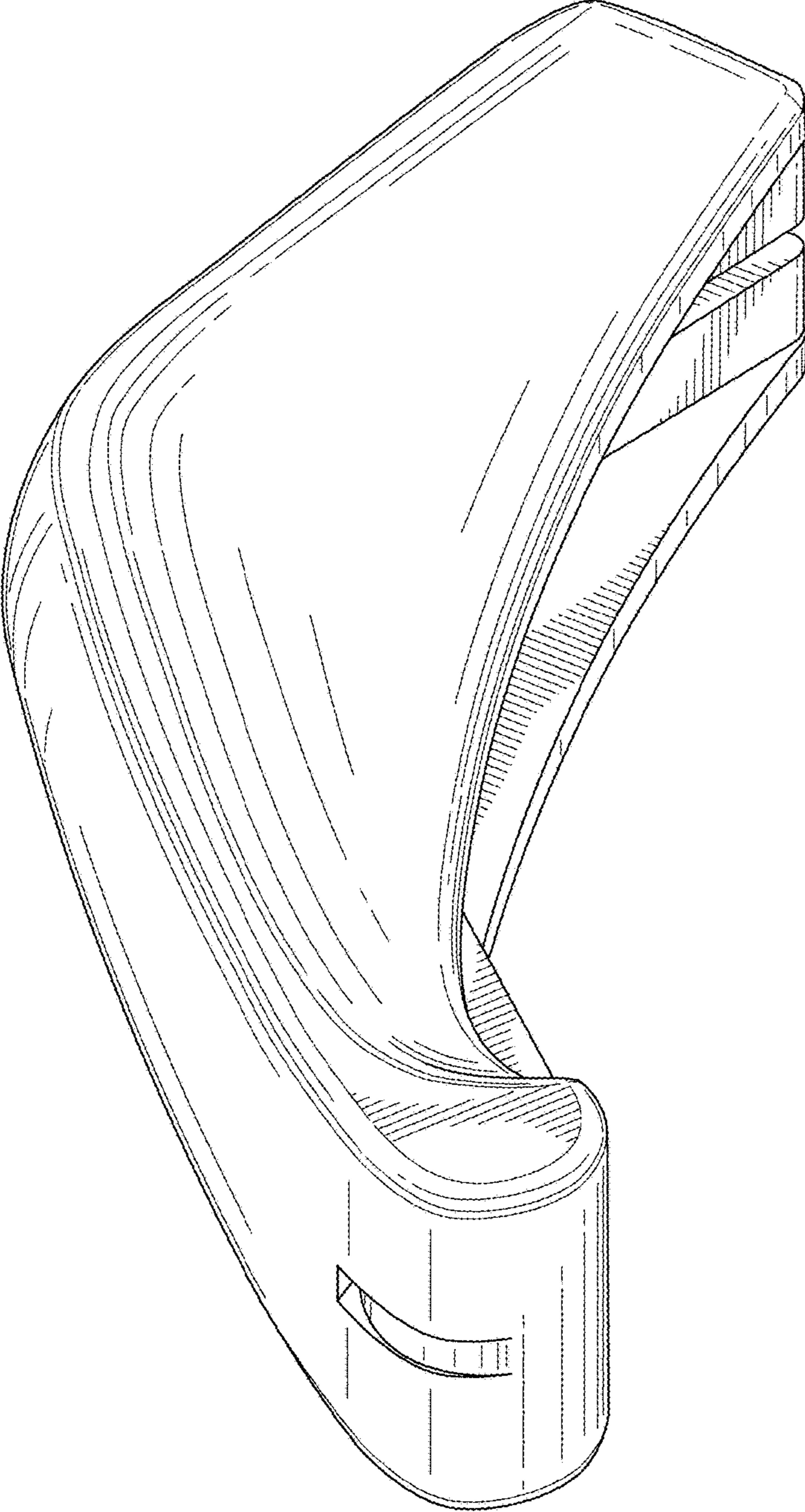


FIG. 1

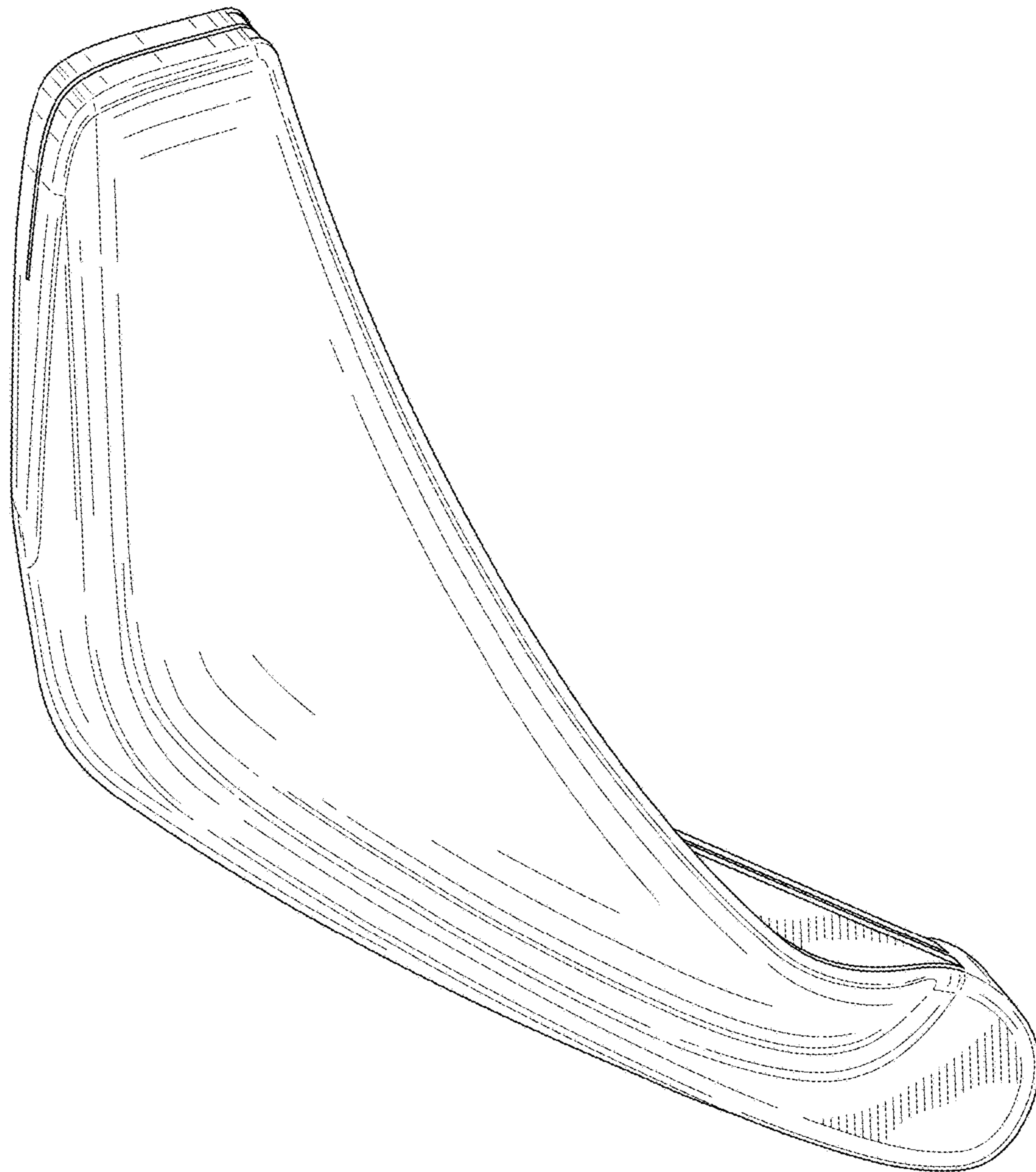


FIG. 2

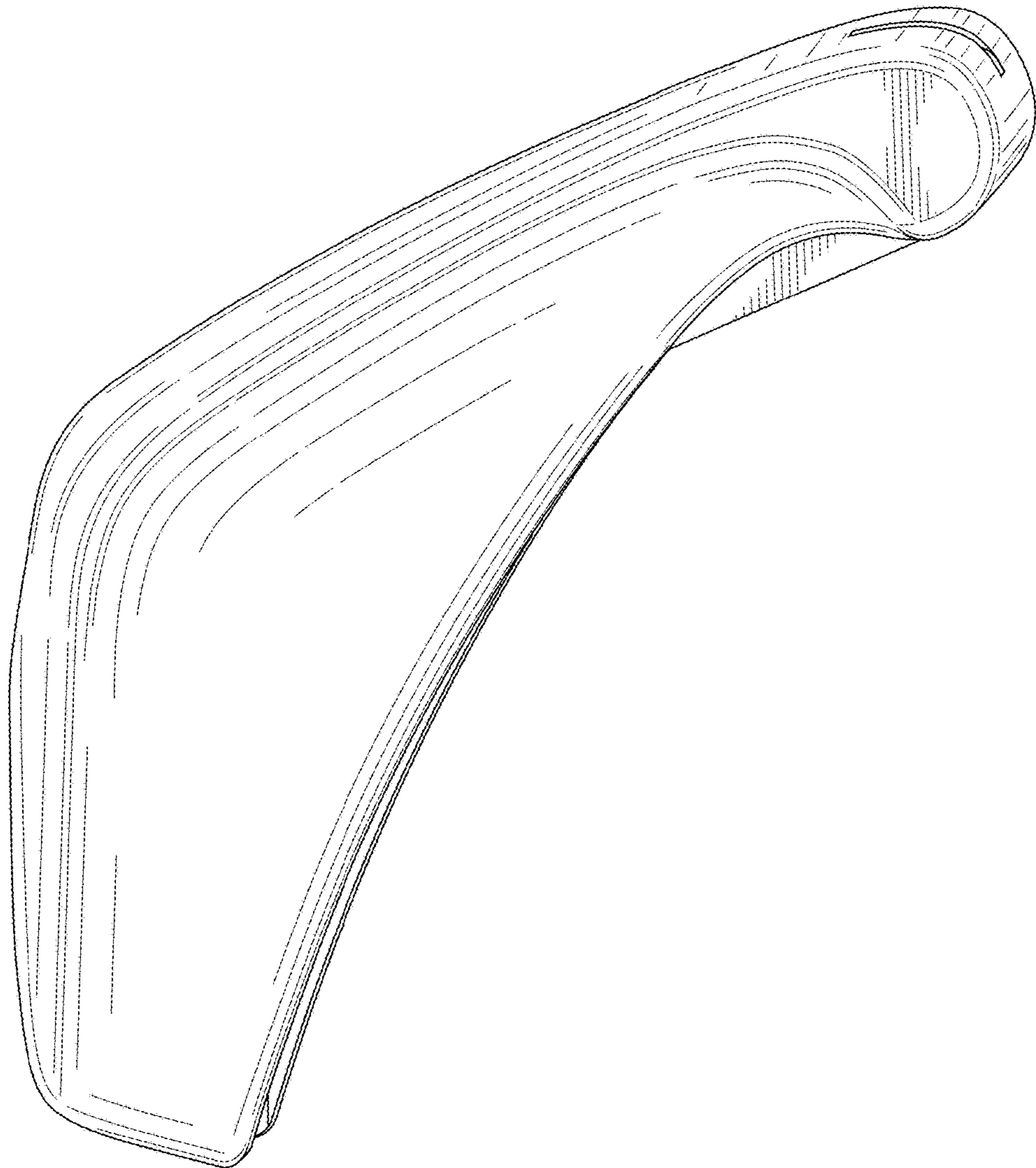


FIG. 3

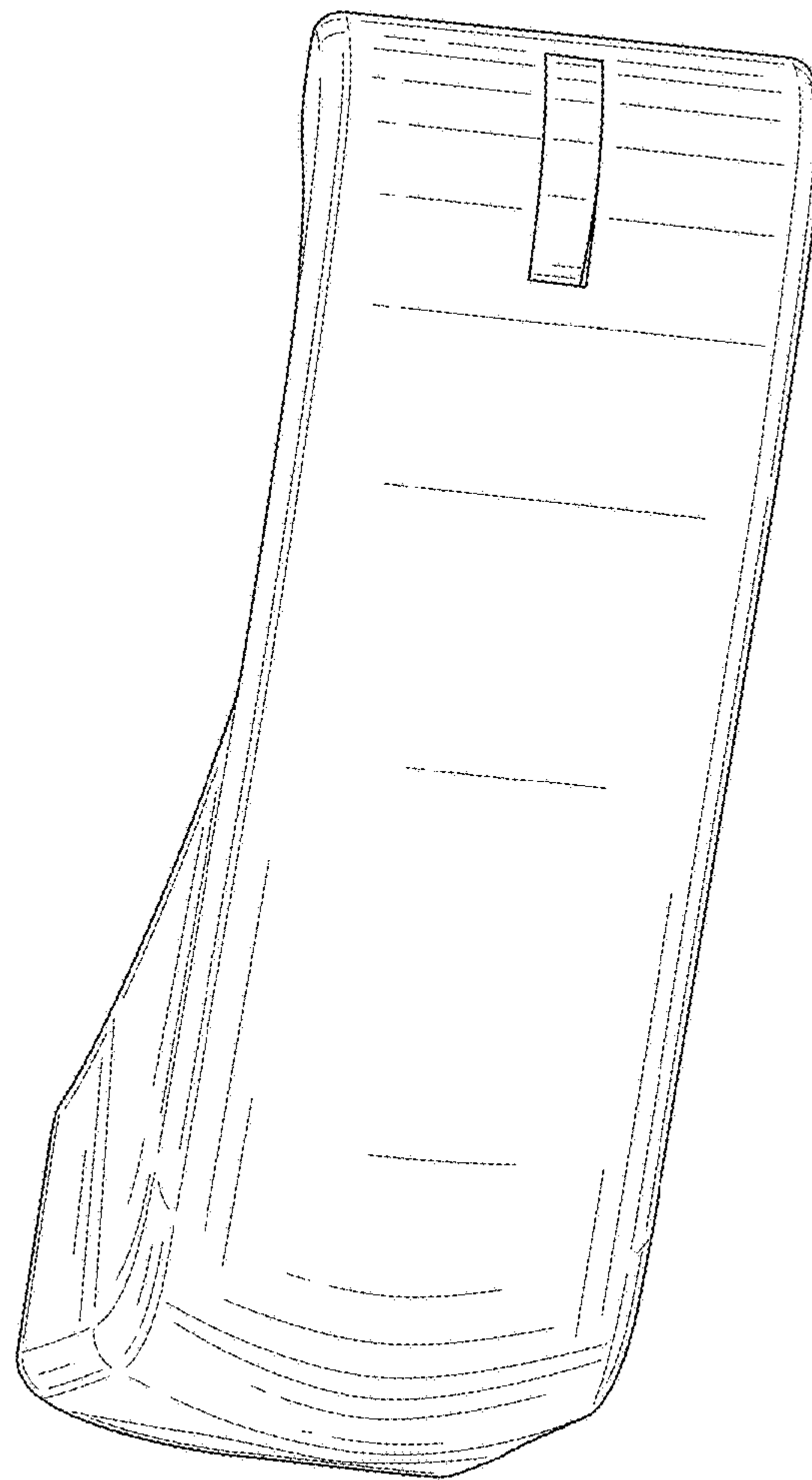


FIG. 4

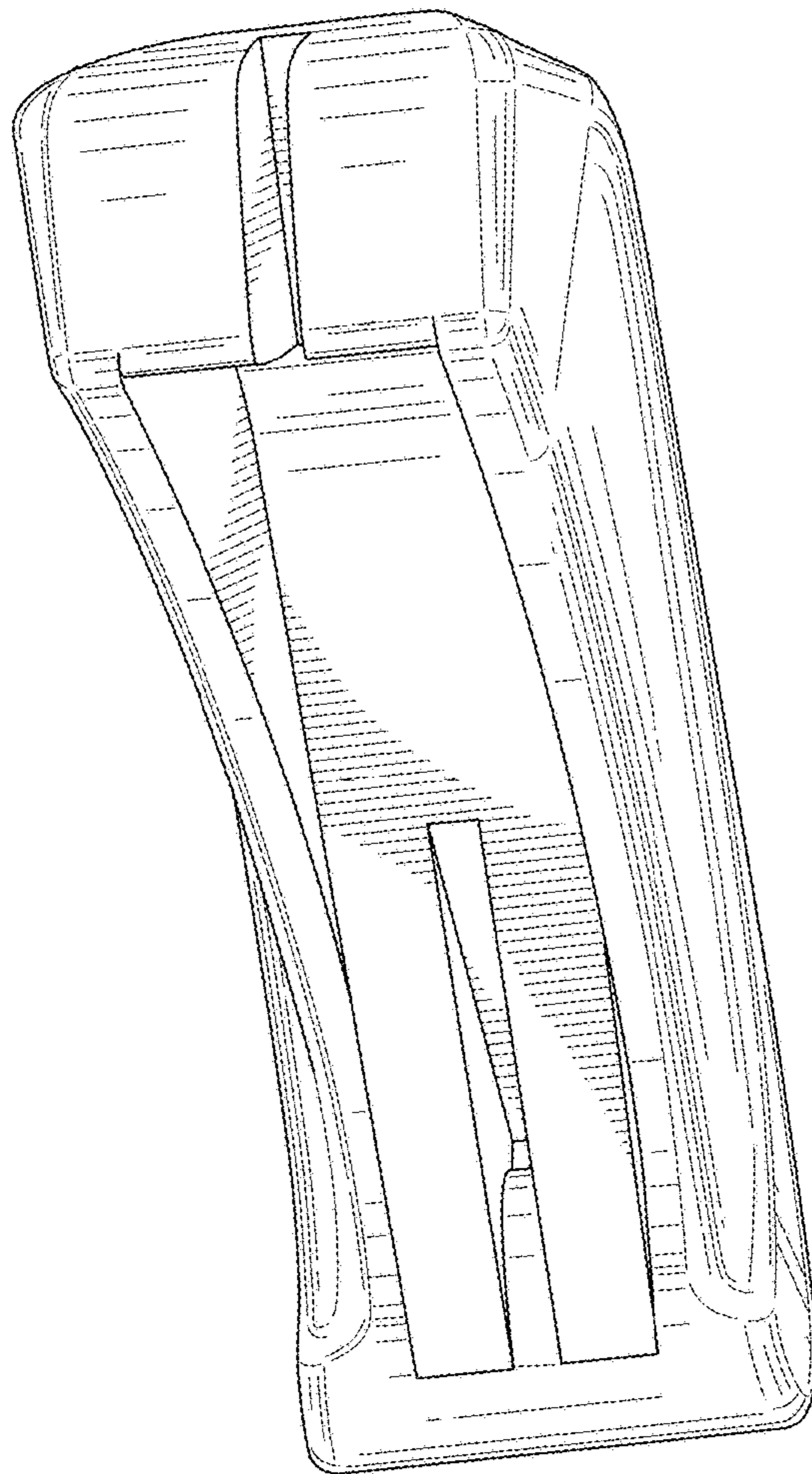


FIG. 5

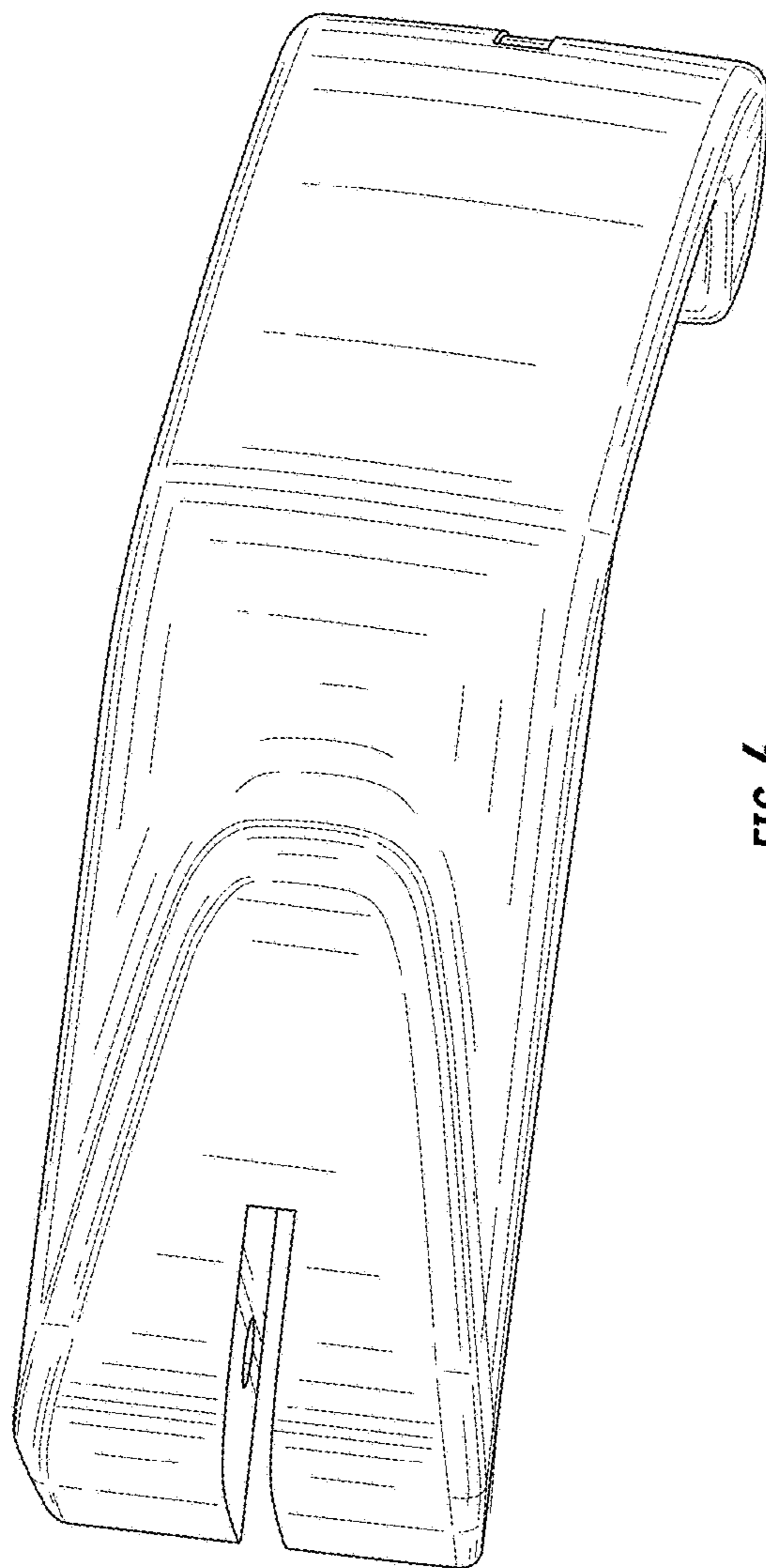


FIG. 6



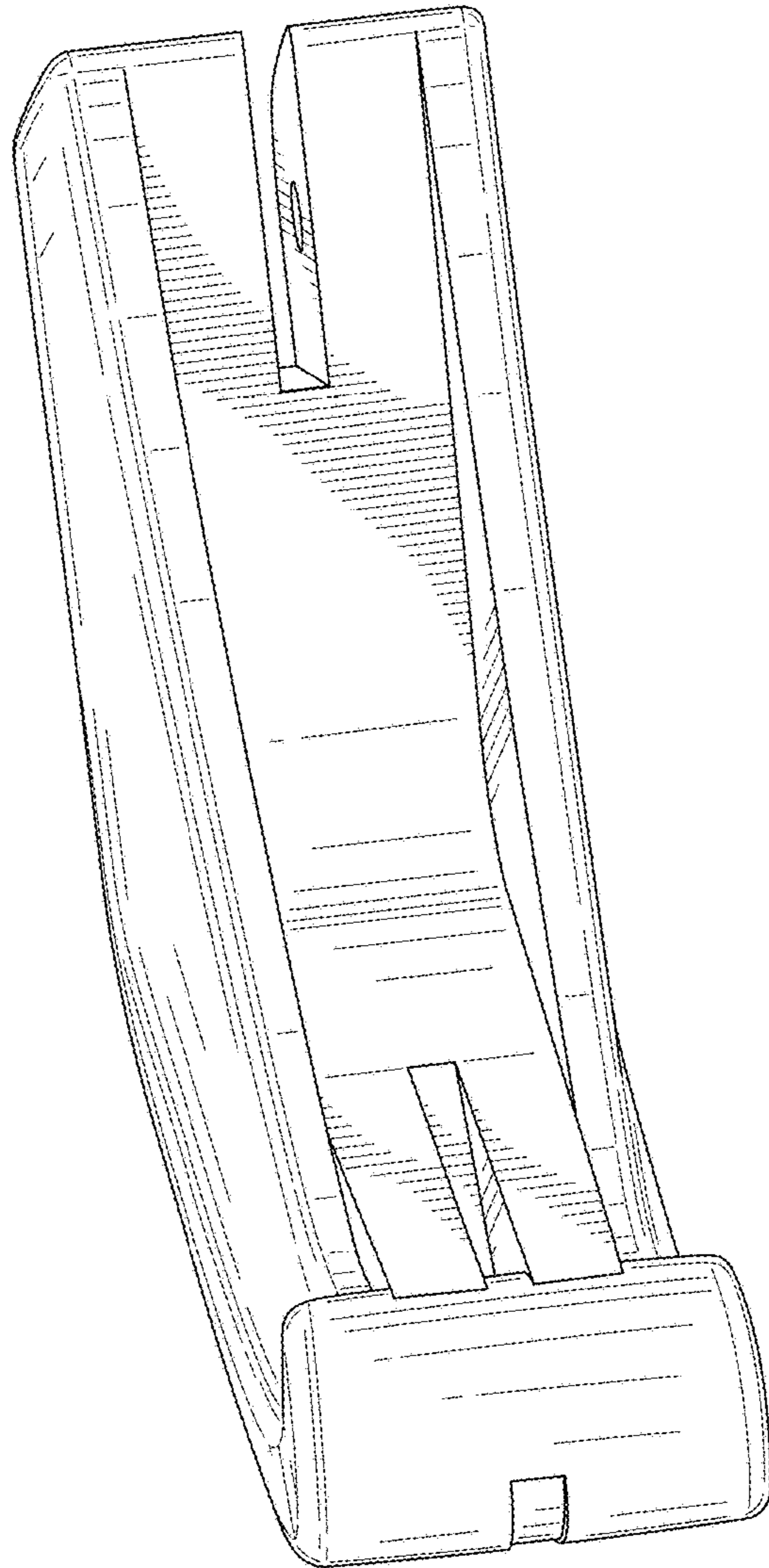


FIG. 7

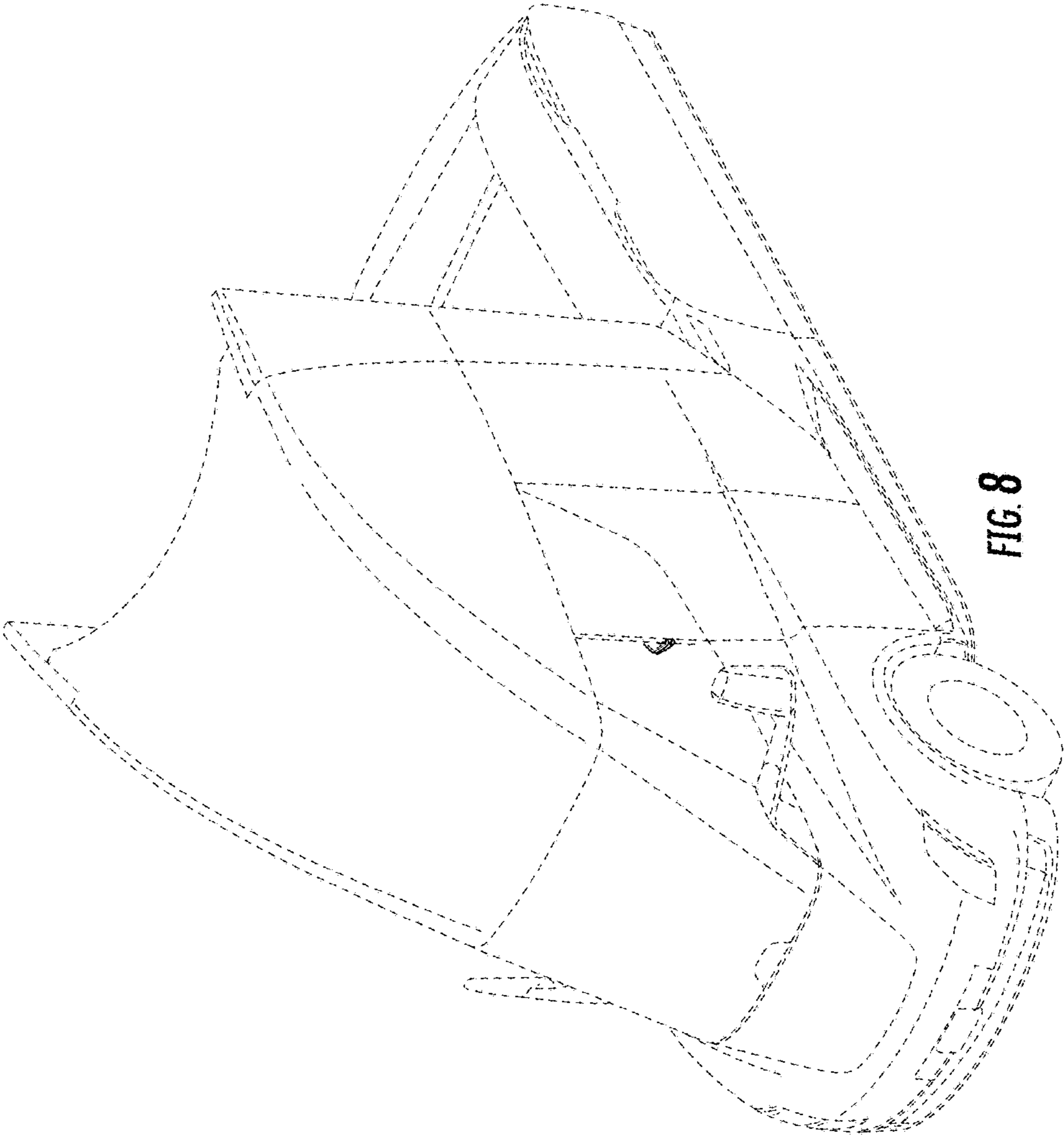


FIG. 8