

US00D844410S

(12) **United States Design Patent**
Prange et al.

(10) **Patent No.:** **US D844,410 S**

(45) **Date of Patent:** **** Apr. 2, 2019**

- (54) **DOORKNOB**
- (71) Applicant: **House of Antique Hardware, Inc.**,
Portland, OR (US)
- (72) Inventors: **Roy H. Prange**, Portland, OR (US);
Jon Eaton, Portland, OR (US)
- (73) Assignee: **House of Antique Hardware, Inc.**,
Portland, OR (US)
- (**) Term: **15 Years**
- (21) Appl. No.: **29/636,111**
- (22) Filed: **Feb. 6, 2018**
- (51) **LOC (11) Cl.** **08-06**
- (52) **U.S. Cl.**
USPC **D8/310**
- (58) **Field of Classification Search**
USPC D8/300, 307, 310, 311; D7/393;
D23/250, 252, 254
CPC ... Y10T 292/57; Y10T 16/469; Y10T 292/82;
Y10T 74/2084; Y10T 292/85; Y10T
16/458; Y10T 16/506; Y10T 70/5155;
Y10T 16/46; Y10T 16/4559; Y10T
74/20828; Y10T 70/8541; Y10T
74/20612; Y10T 16/459; Y10T 16/487;
Y10T 70/5389; Y10T 16/462; Y10T
16/4636; E05B 1/0007; E05B 3/00; Y10S
16/30; Y10S 292/53; Y10S 292/27
See application file for complete search history.

D580,736 S *	11/2008	Matijevic	D8/305
D621,238 S *	8/2010	Rauk	D8/305
D642,890 S *	8/2011	Roe	D8/310
D649,427 S *	11/2011	Roe	D8/310
D660,680 S *	5/2012	Han	D8/310
D679,980 S *	4/2013	Ramsland	D8/305
8,495,798 B1 *	7/2013	Parker	E05B 1/0007 16/414
D772,686 S *	11/2016	Zimmer	D8/310
9,556,645 B2 *	1/2017	Yoon	E05B 59/00
D792,188 S *	7/2017	Zimmer	D8/310
D806,510 S *	1/2018	Yates	D8/311
2009/0193625 A1 *	8/2009	Yu	A47B 95/02 16/417
2009/0250948 A1 *	10/2009	Forrest	E05B 1/0015 292/251.5
2010/0139046 A1 *	6/2010	Daniels	A47B 95/02 16/414
2010/0218346 A1 *	9/2010	Daniels	E05B 1/0007 16/417

* cited by examiner

Primary Examiner — Lauren R Calve
(74) *Attorney, Agent, or Firm* — Kolitch Romano LLP

(57) **CLAIM**

The ornamental design for a doorknob, as shown and described.

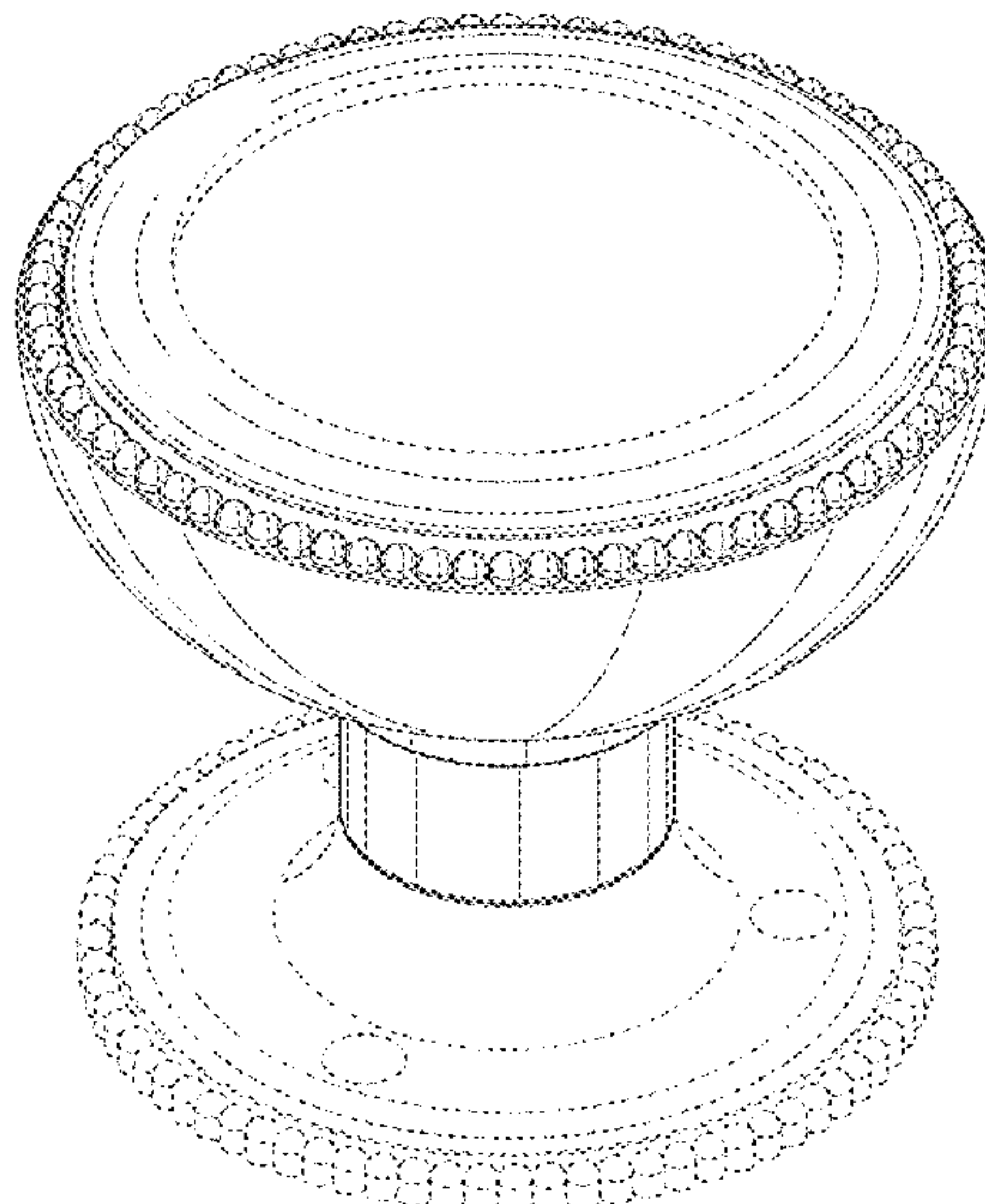
DESCRIPTION

FIG. 1 is a front and upper view of a doorknob, showing the new design;
FIG. 2 is a front elevation view thereof;
FIG. 3 is a rear elevation view thereof;
FIG. 4 is a left side elevation view thereof;
FIG. 5 is a right side elevation view thereof;
FIG. 6 is a top plan view thereof; and,
FIG. 7 is a bottom plan view thereof.
The dashed lines and structure they depict form no part of the claimed design.

1 Claim, 7 Drawing Sheets

(56) **References Cited**
U.S. PATENT DOCUMENTS

D263,554 S *	3/1982	Wasbrough	D8/301
D274,690 S *	7/1984	Cesaroni	D6/678
D558,557 S *	1/2008	Jou	D8/310
D565,385 S *	4/2008	Jou	D8/307
D577,982 S *	10/2008	Thompson	D8/301



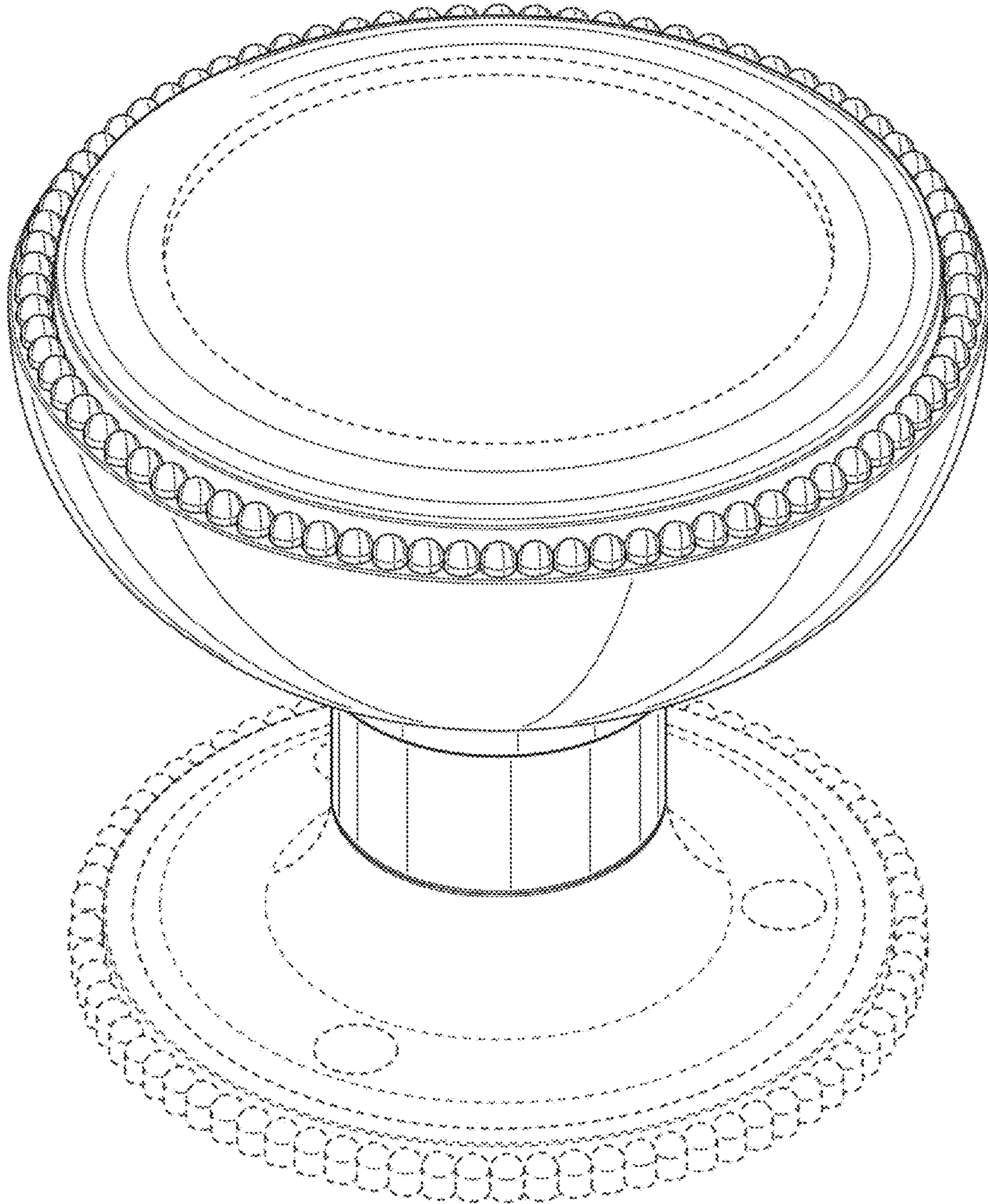


FIG. 1

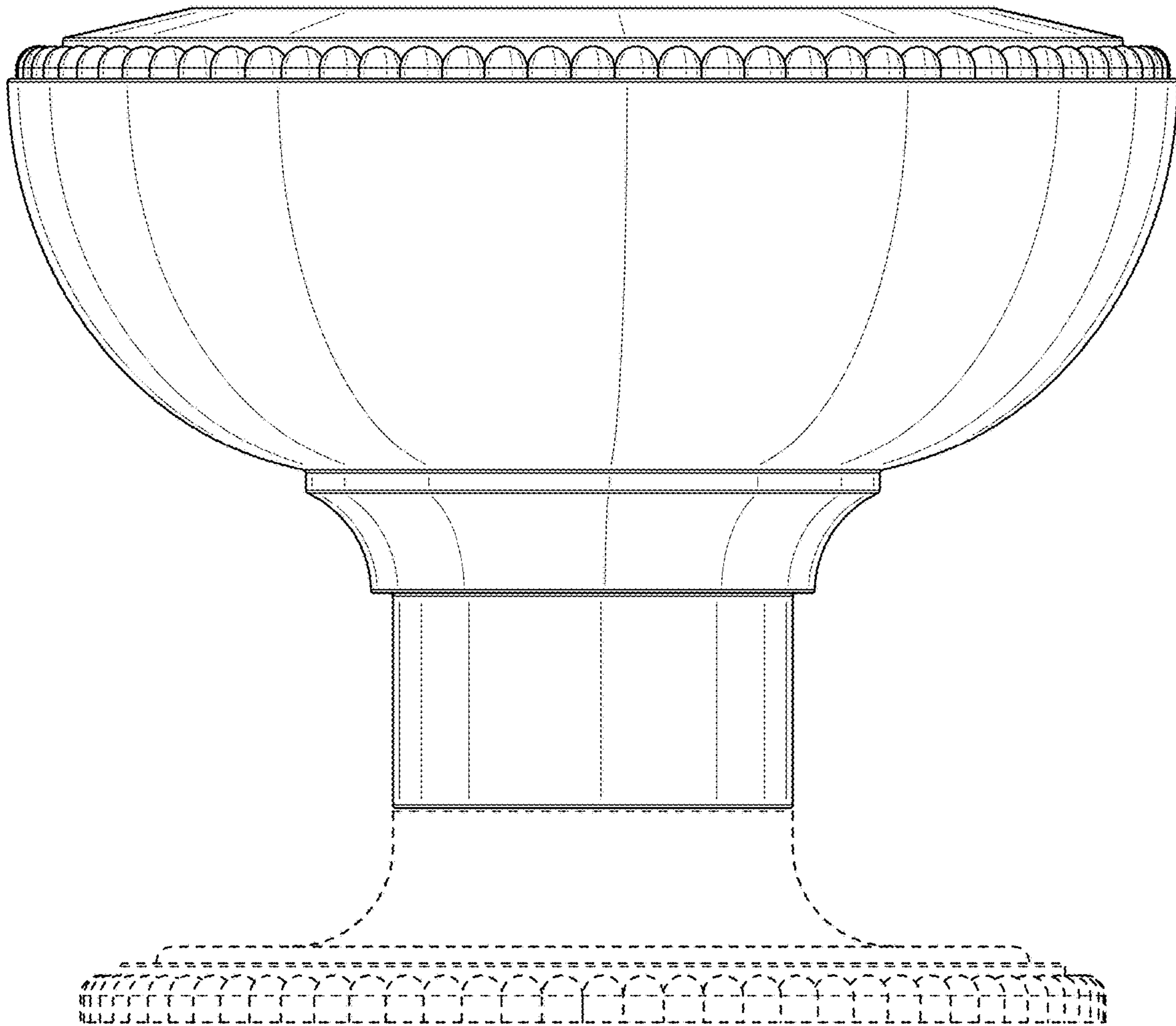


FIG. 2

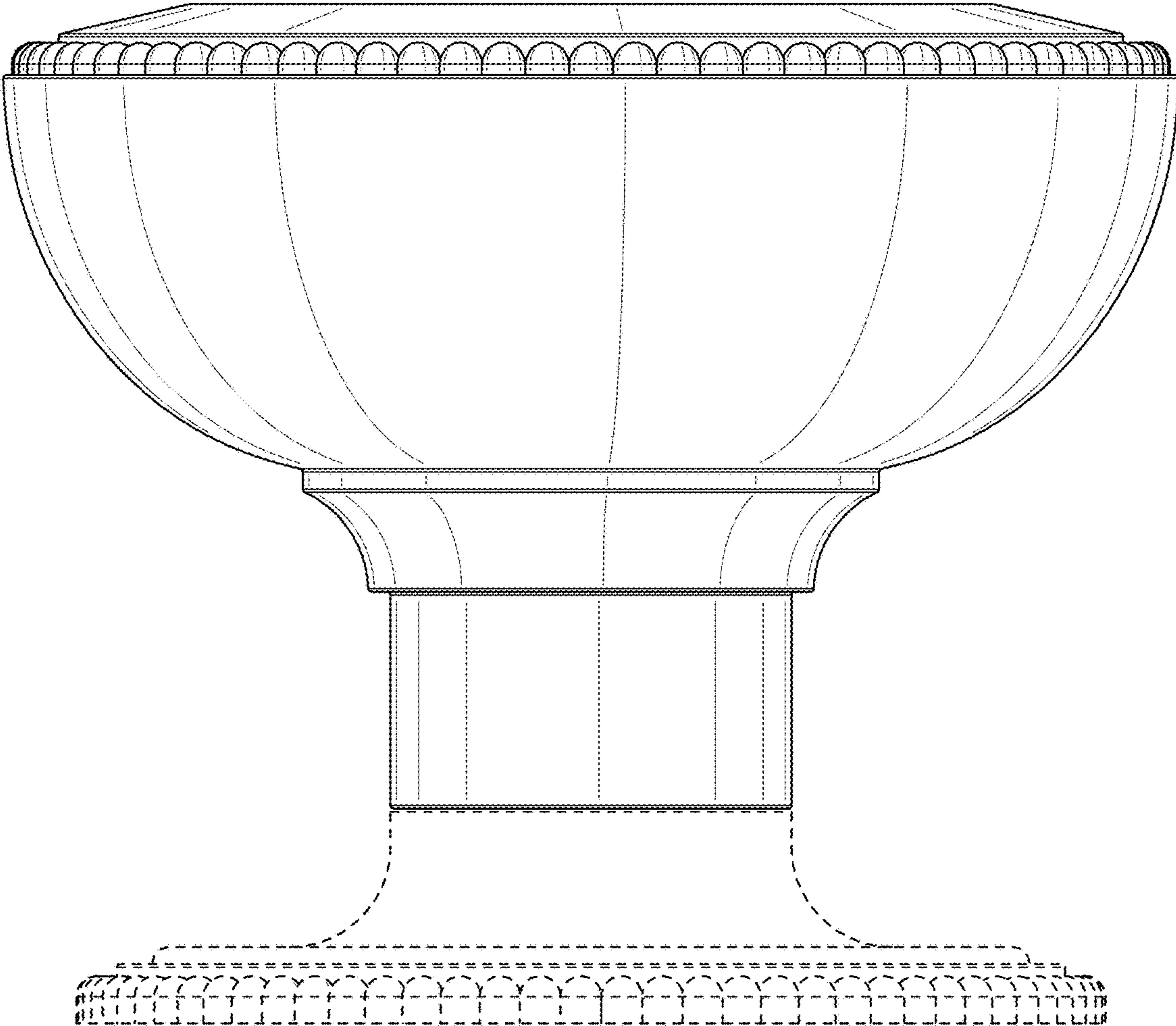


FIG. 3

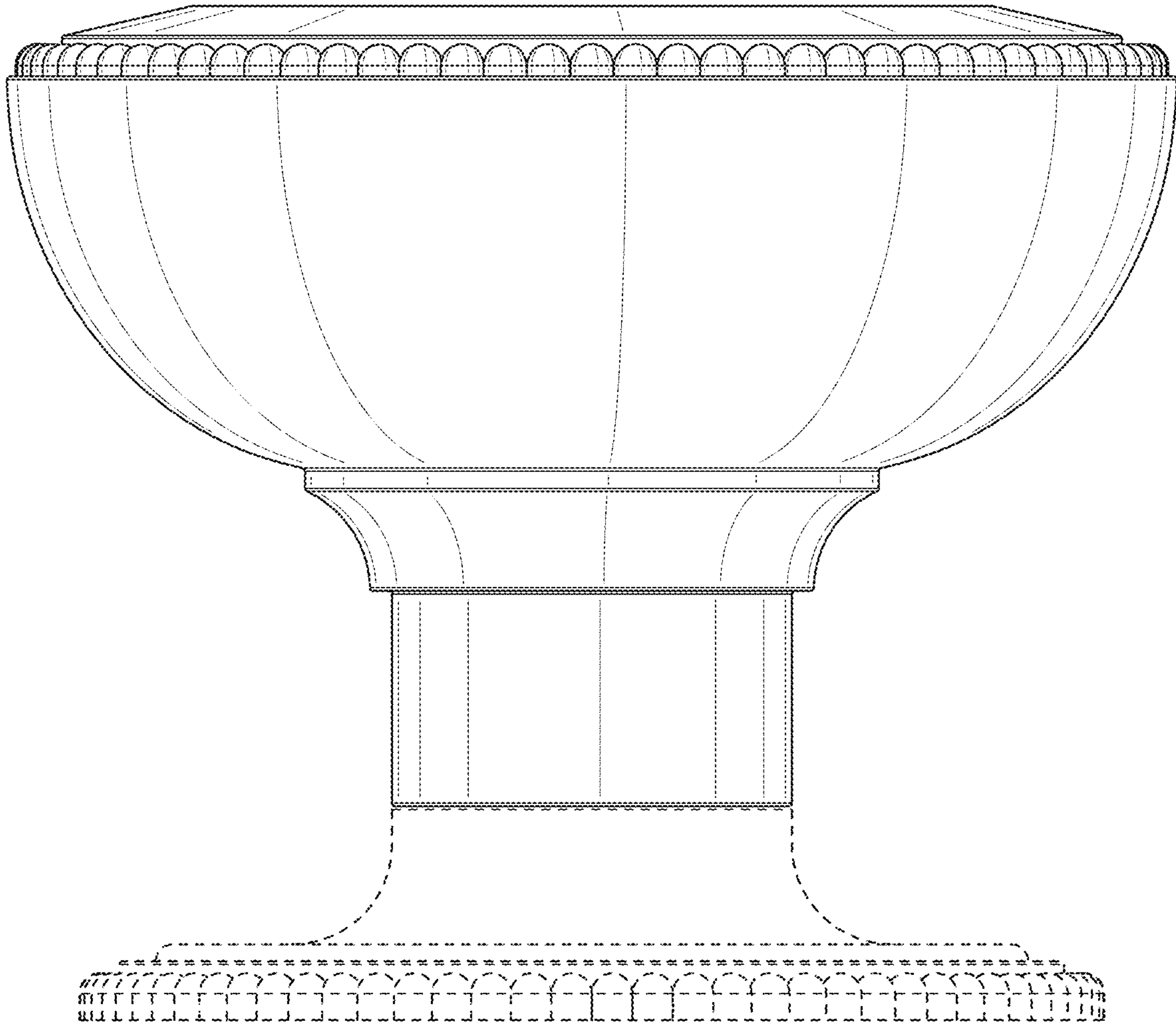


FIG. 4

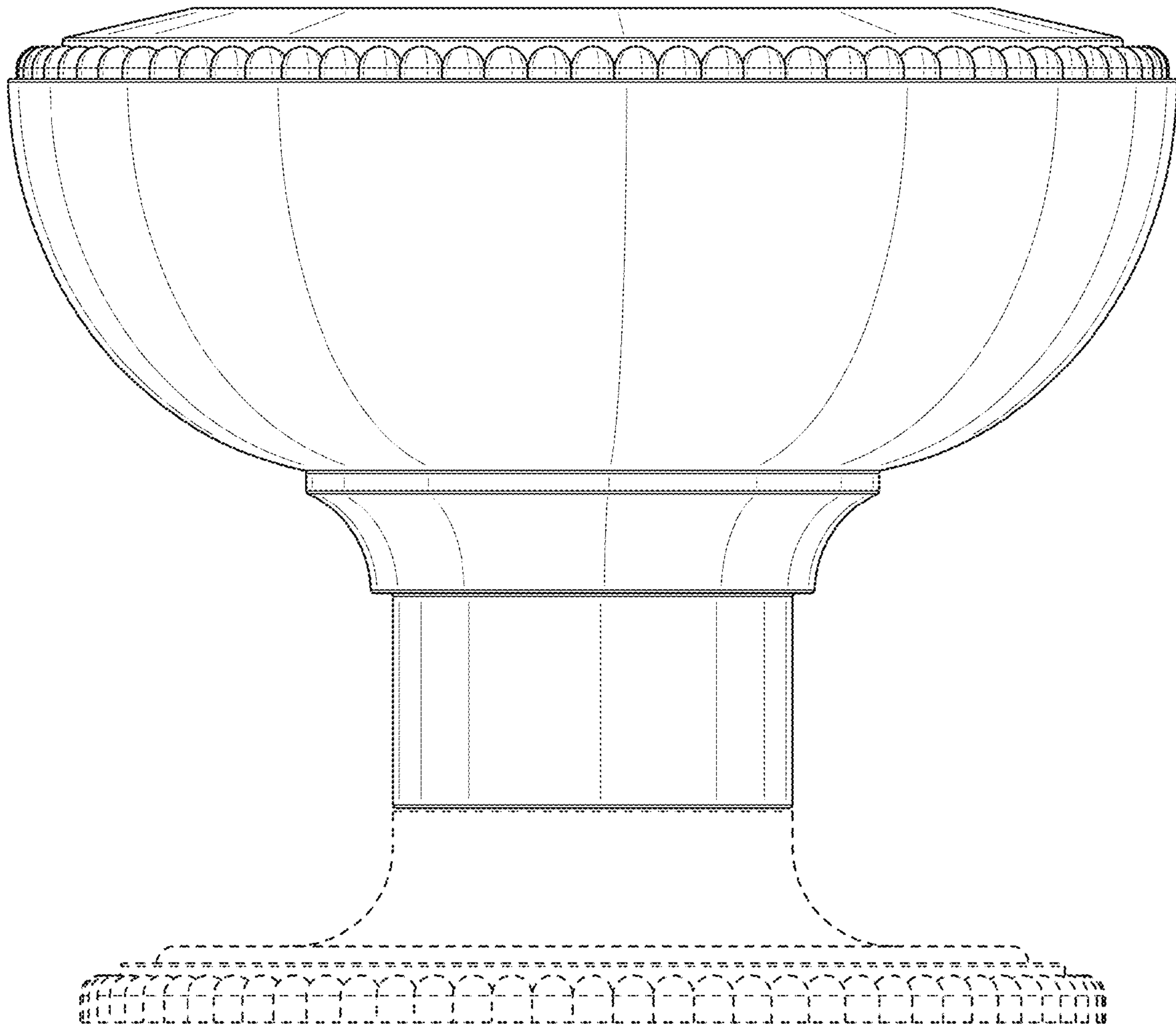


FIG. 5

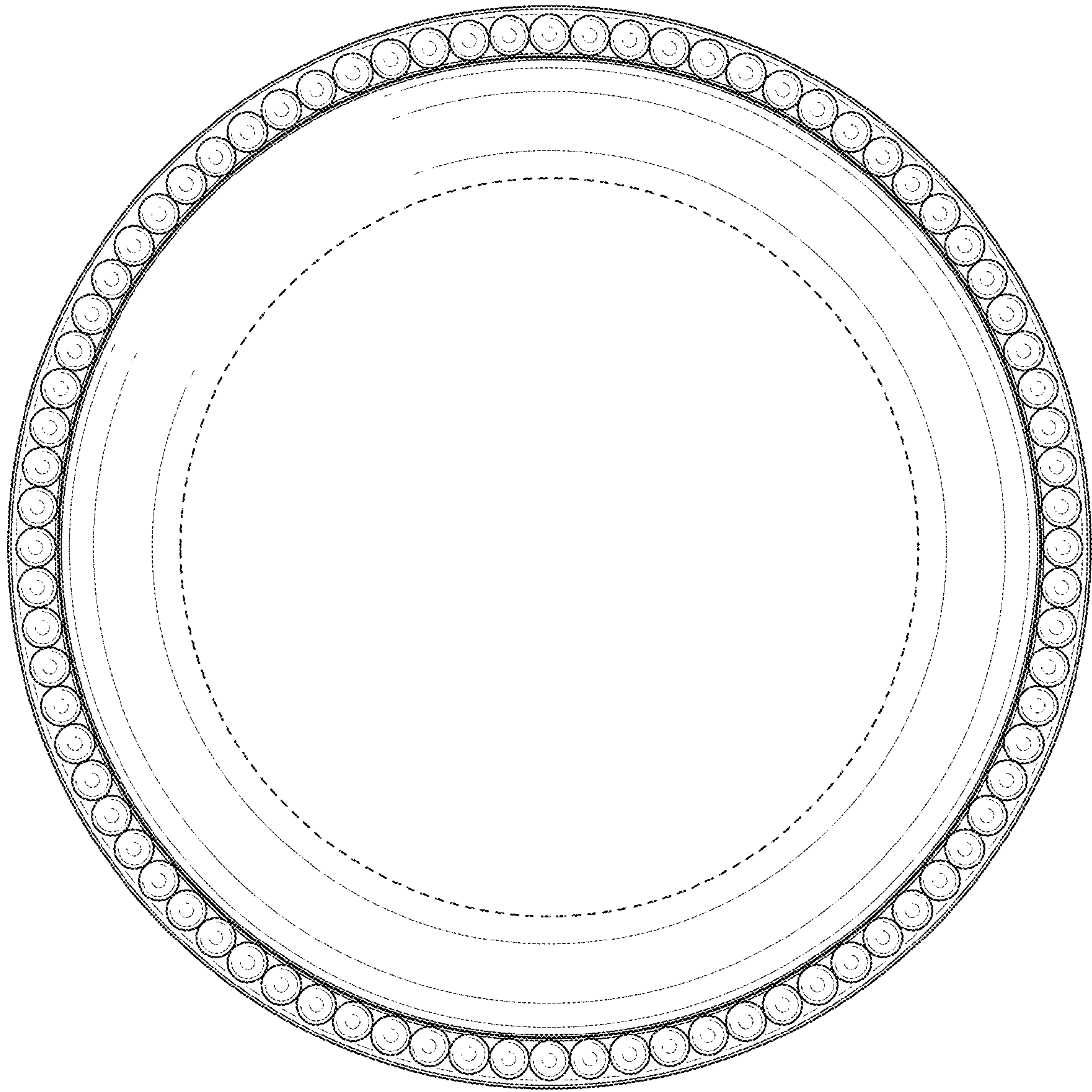


FIG. 6

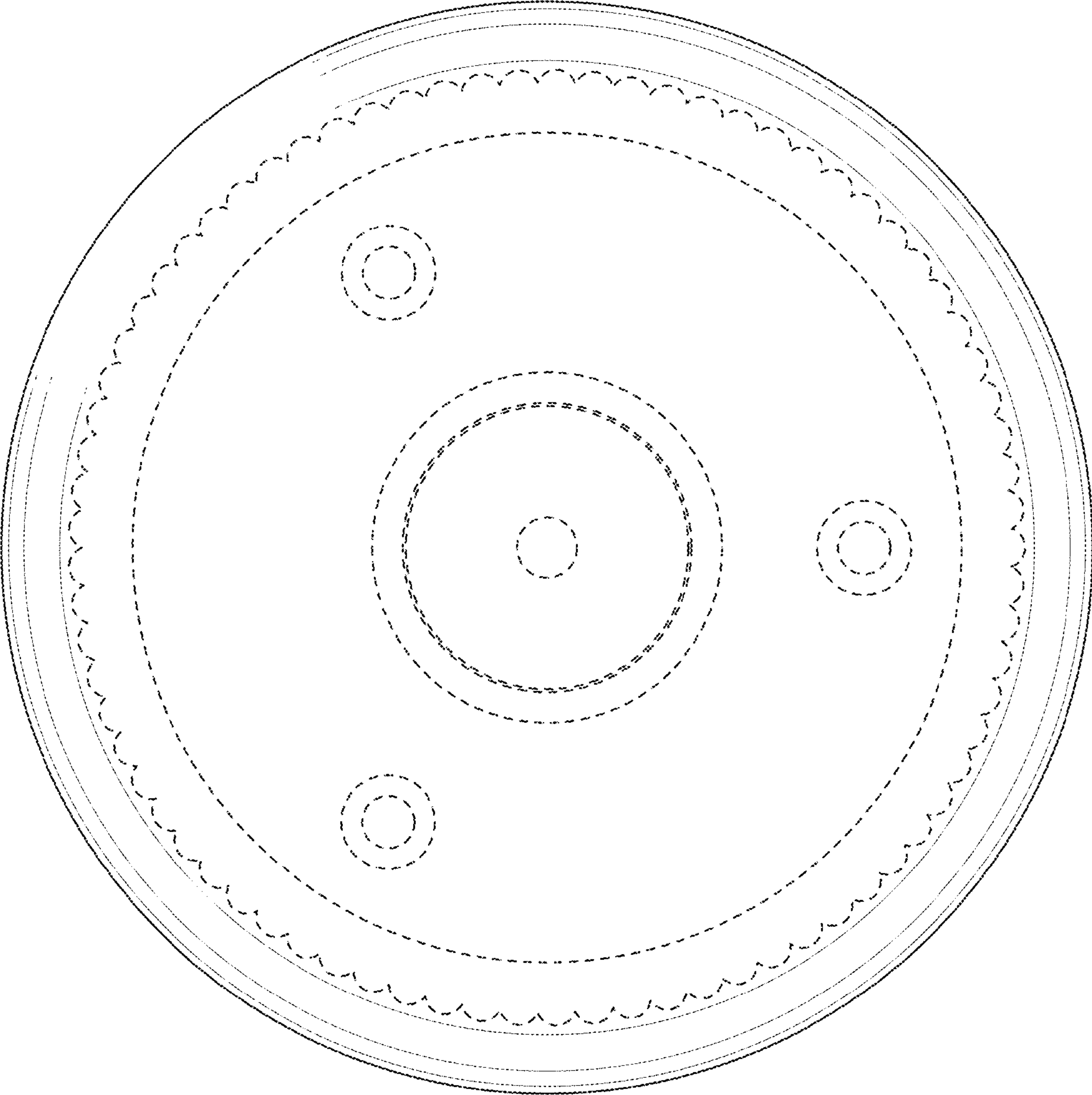


FIG. 7