



US00D844409S

(12) **United States Design Patent** (10) **Patent No.:** **US D844,409 S**  
**Breeden, III et al.** (45) **Date of Patent:** **\*\* Apr. 2, 2019**

(54) **GRIP ACCESSORY**  
(71) Applicant: **WINSTON PRODUCTS, LLC**,  
Cleveland, OH (US)  
(72) Inventors: **Winston H. Breeden, III**, Chagrin  
Falls, OH (US); **Ron F. Giannatti**,  
Highland Heights, OH (US); **Nick D.**  
**Giannatti**, Hudson, OH (US)

D649,031 S 11/2011 Rand  
D654,345 S 2/2012 McCune  
D712,221 S 9/2014 Kovach  
D726,159 S 4/2015 Swendseid  
D773,278 S 12/2016 Livolsi  
D773,279 S 12/2016 Livolsi  
D774,386 S 12/2016 Brown  
D774,866 S \* 12/2016 Levey ..... D15/140

(73) Assignee: **Winston Products, LLC**, Cleveland,  
OH (US)  
(\*\*) Term: **15 Years**  
(21) Appl. No.: **29/615,375**  
(22) Filed: **Aug. 29, 2017**

**Related U.S. Application Data**

(63) Continuation of application No. 29/558,515, filed on  
Mar. 18, 2016, now Pat. No. Des. 798,128.  
(51) **LOC (11) Cl.** ..... **08-06**  
(52) **U.S. Cl.**  
USPC ..... **D8/303**  
(58) **Field of Classification Search**  
USPC ..... D7/509, 523; D8/300, 303, 305, 307,  
D8/311, 321, 397  
CPC ..... E05B 1/0015; E05B 1/00  
See application file for complete search history.

(56) **References Cited**

**U.S. PATENT DOCUMENTS**

D239,504 S 4/1976 Hale  
D344,440 S 2/1994 Oakley  
D396,396 S 7/1998 Larson  
D513,380 S 1/2006 Bruni  
D616,950 S 6/2010 Hersee

**OTHER PUBLICATIONS**

Small Base Quad Cane Rubber Tips, Gray or Black, set of 4:  
Announced 2015 [online], site visited Apr. 26, 2017. Available from  
Internet URL: <http://www.canesgalore.com/small-base-quad-cane-rubber-tips-gray-black-p-3260.html>.

\* cited by examiner

*Primary Examiner* — Garth Rademaker  
*Assistant Examiner* — Melvin L Davis  
(74) *Attorney, Agent, or Firm* — Tucker Ellis LLP

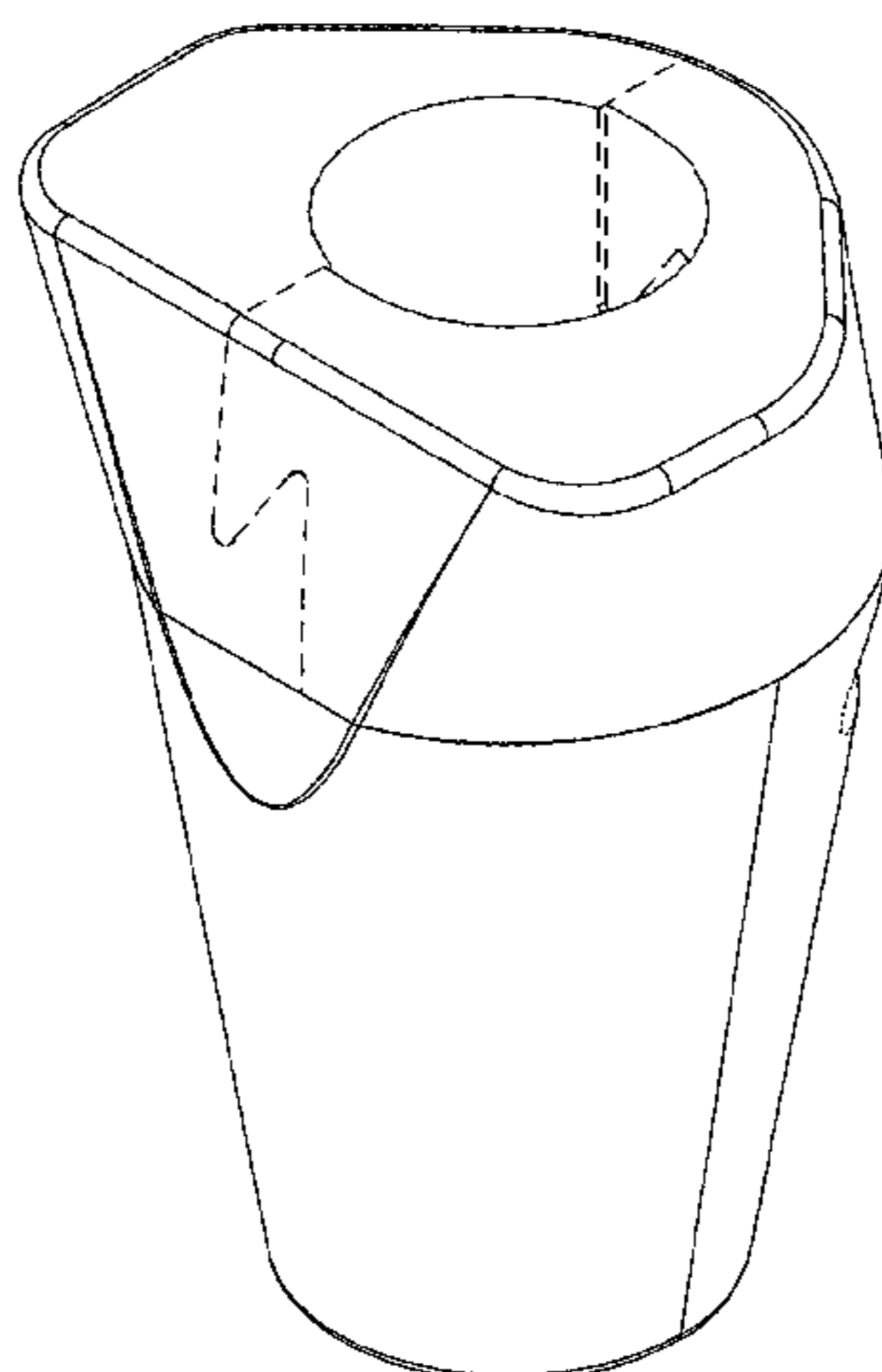
(57) **CLAIM**

The ornamental design for a grip accessory, as shown and  
described.

**DESCRIPTION**

FIG. 1 is a perspective view of a grip accessory showing our  
new design.  
FIG. 2 is a front view thereof.  
FIG. 3 is a rear view thereof.  
FIG. 4 is a top view thereof.  
FIG. 5 is a bottom view thereof.  
FIG. 6 is a left side view thereof; and,  
FIG. 7 is a right side thereof.  
The broken lines represent parts of the article that form no  
part of the claimed design.

**1 Claim, 4 Drawing Sheets**



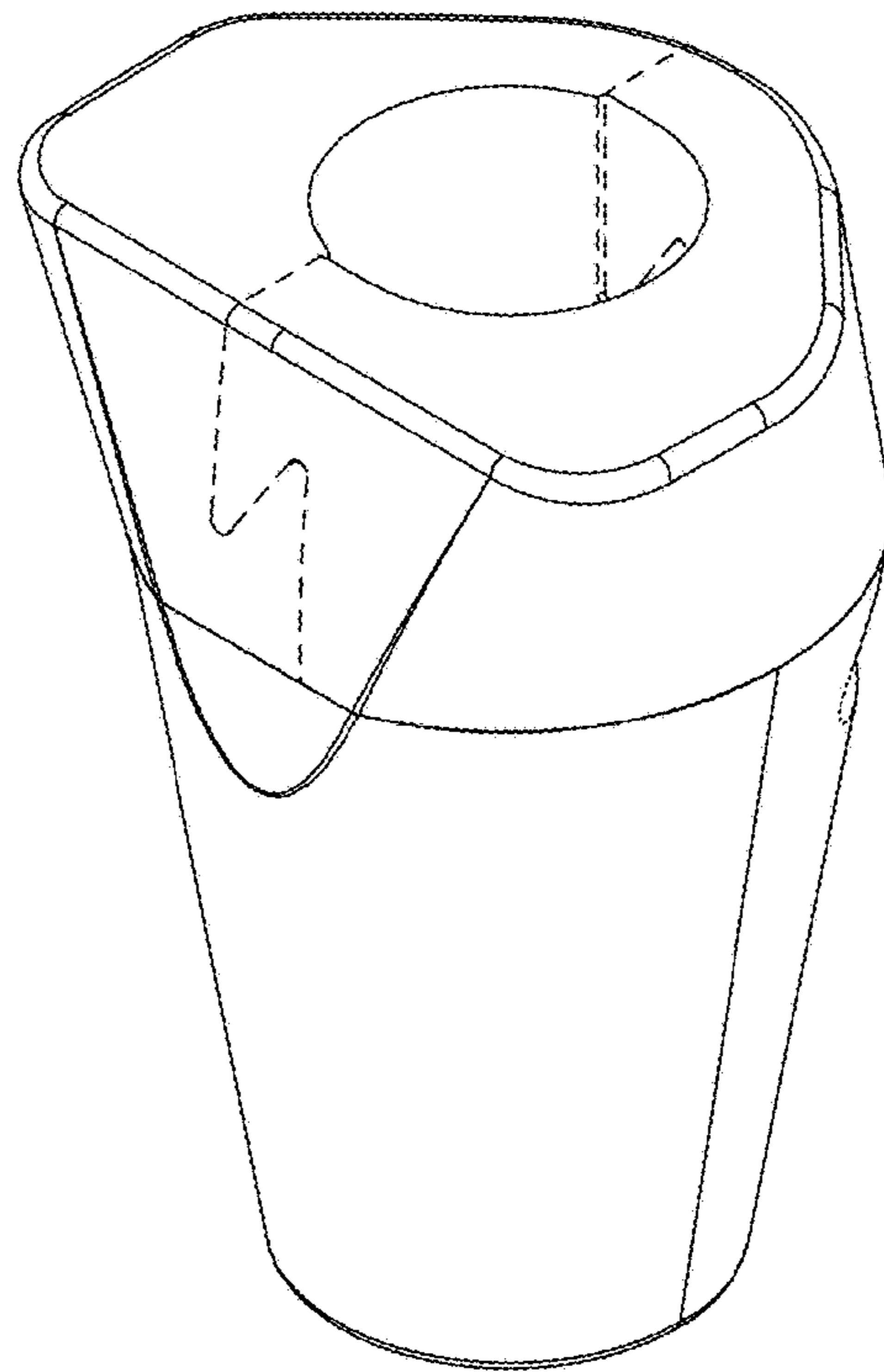


FIG. 1

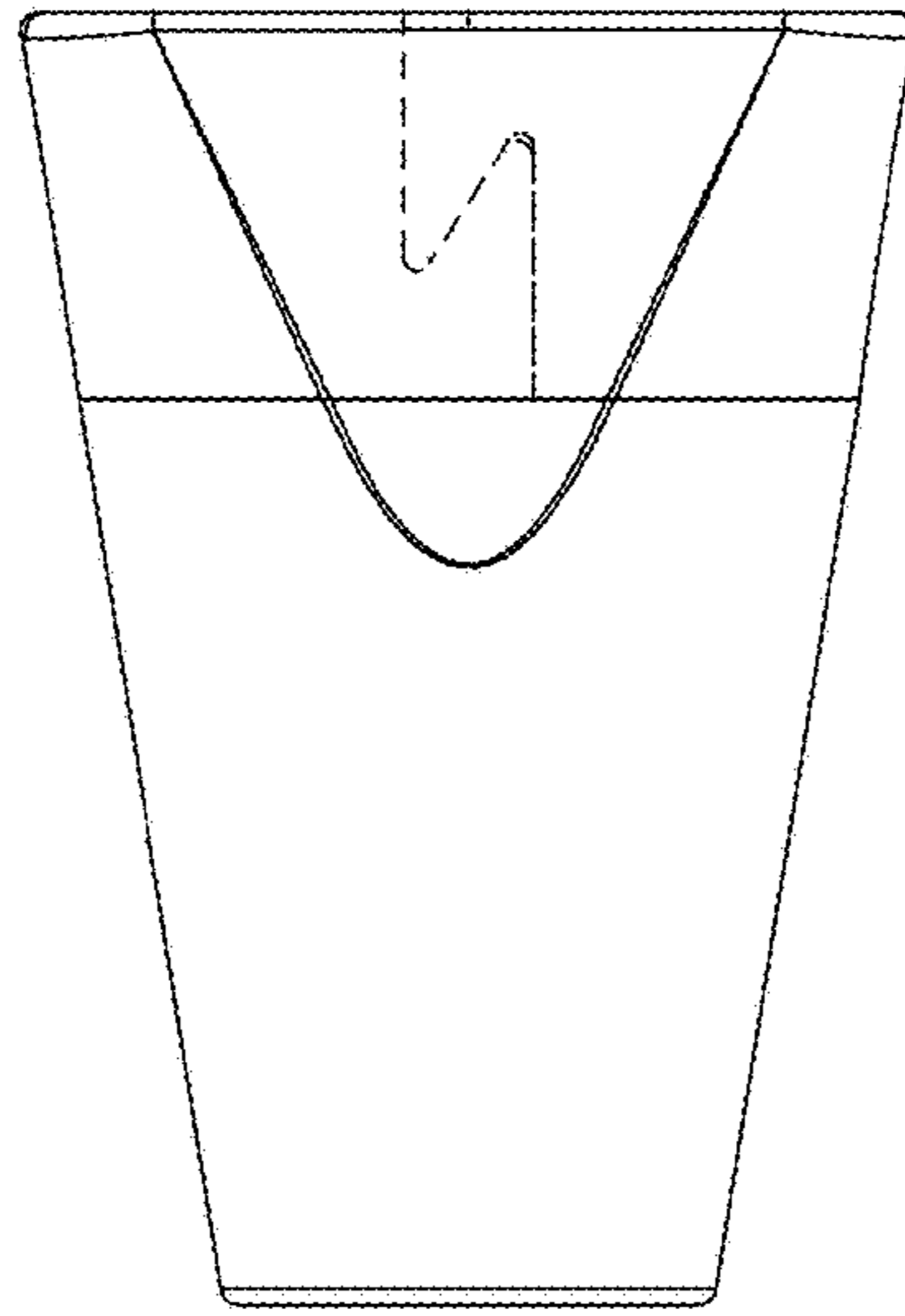


FIG. 2

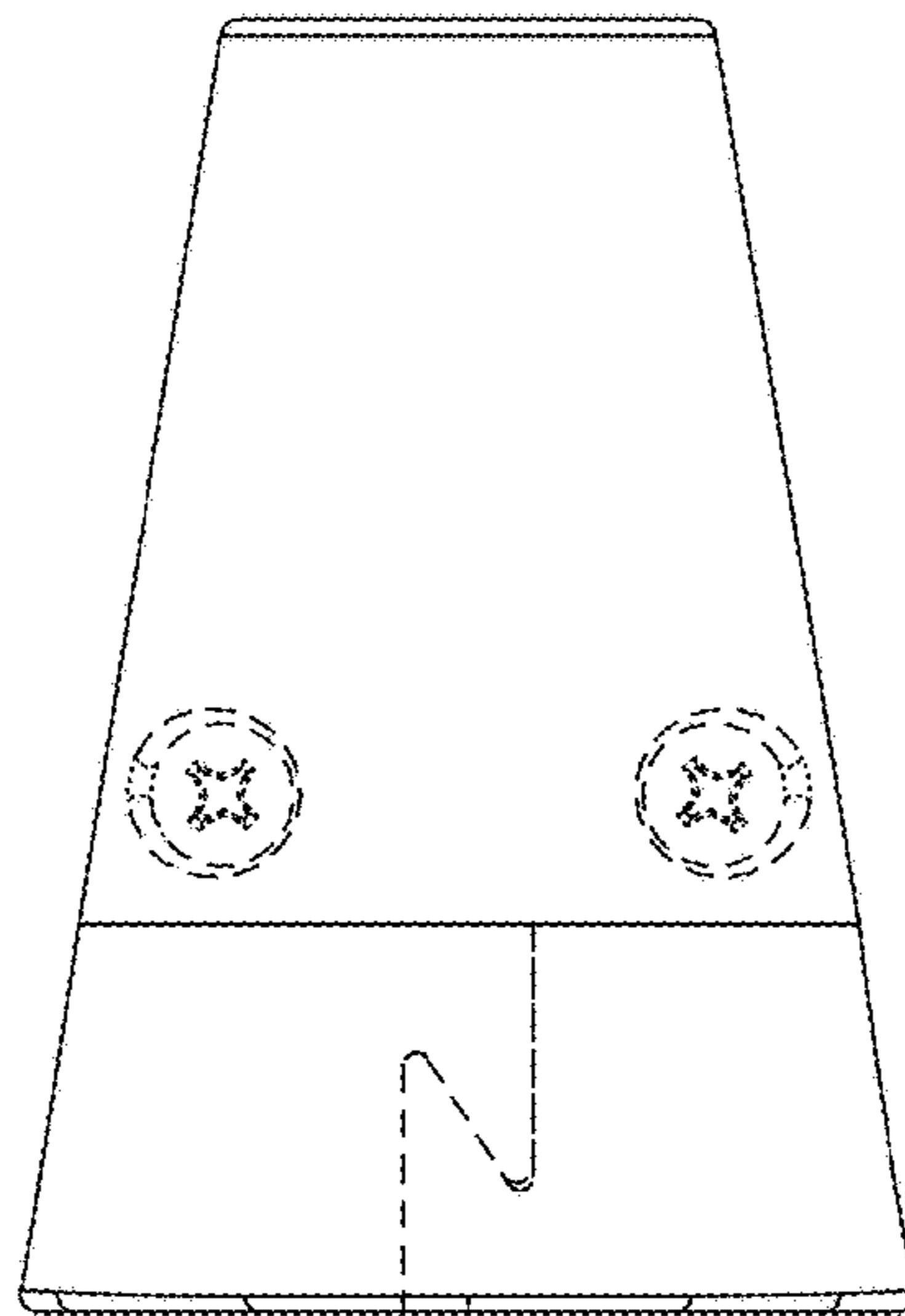


FIG. 3

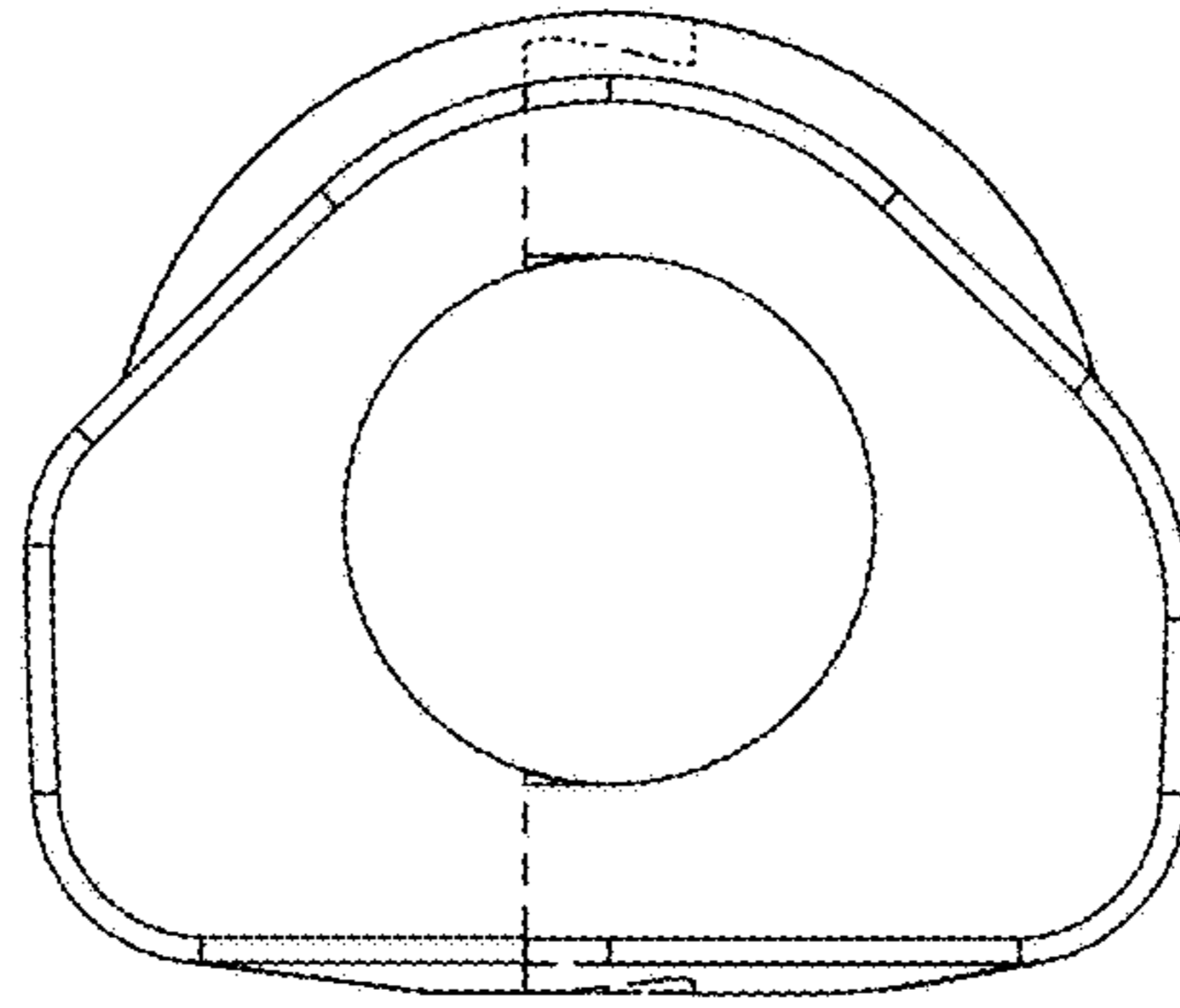


FIG. 4

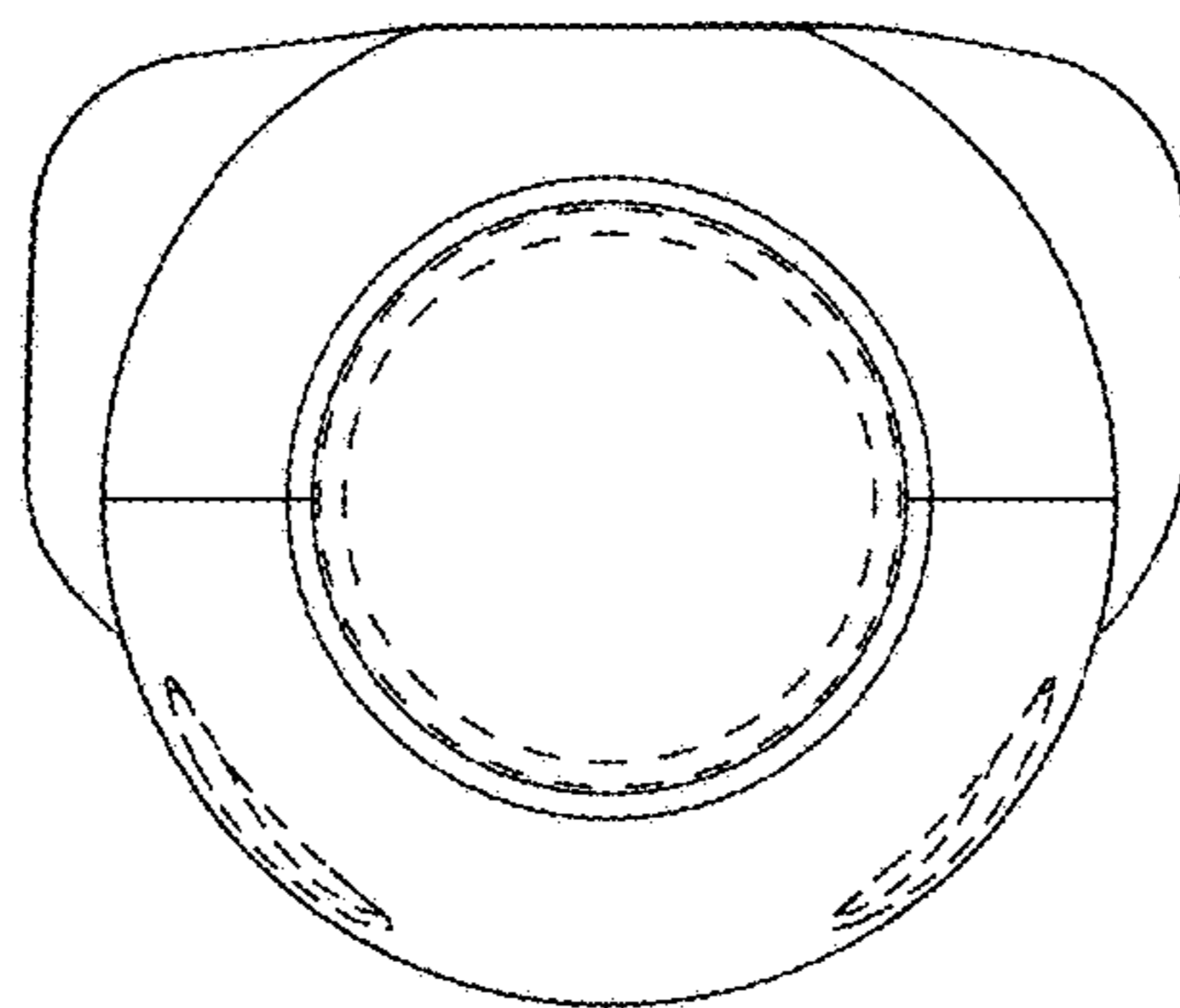


FIG. 5

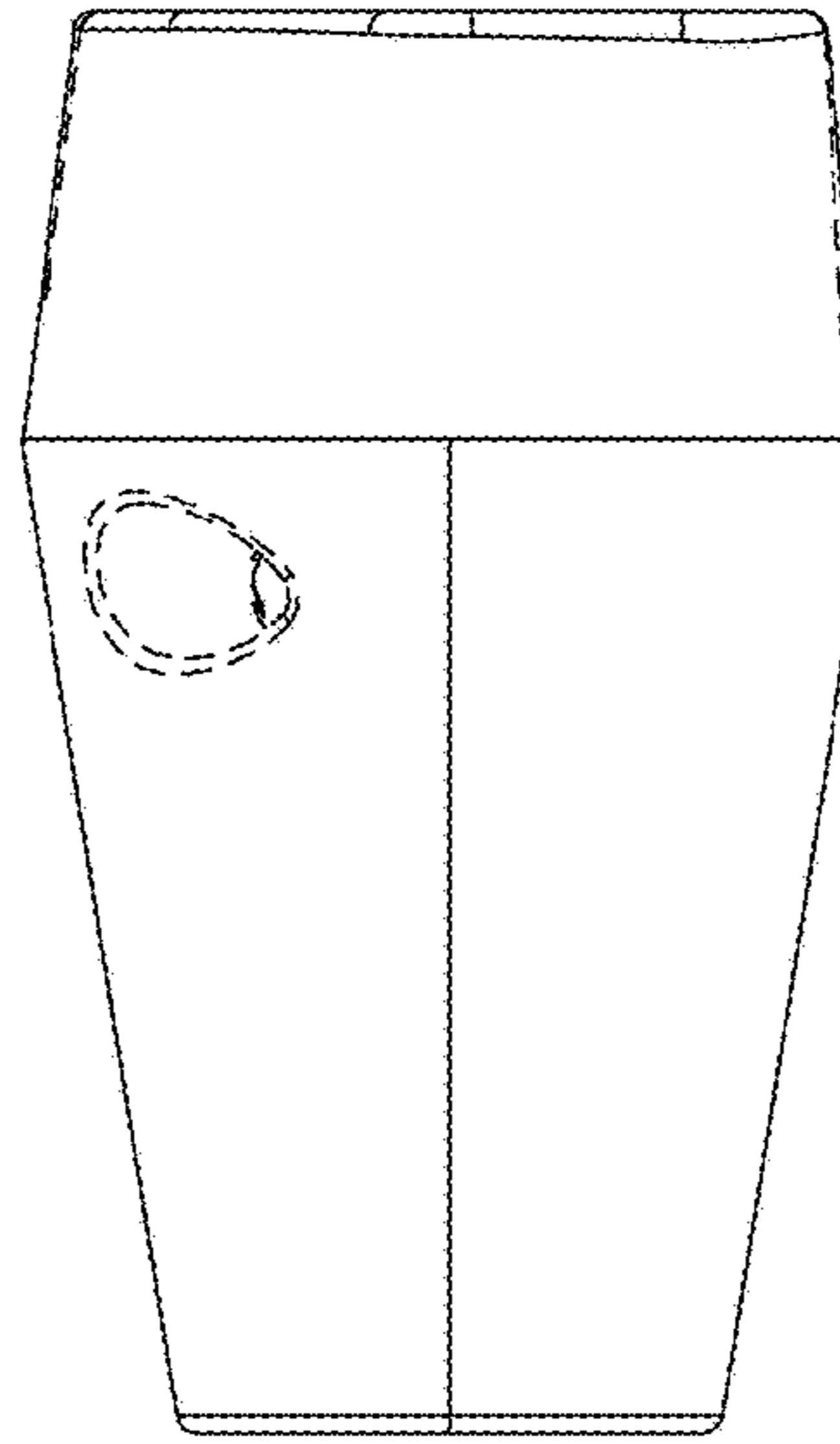


FIG. 6

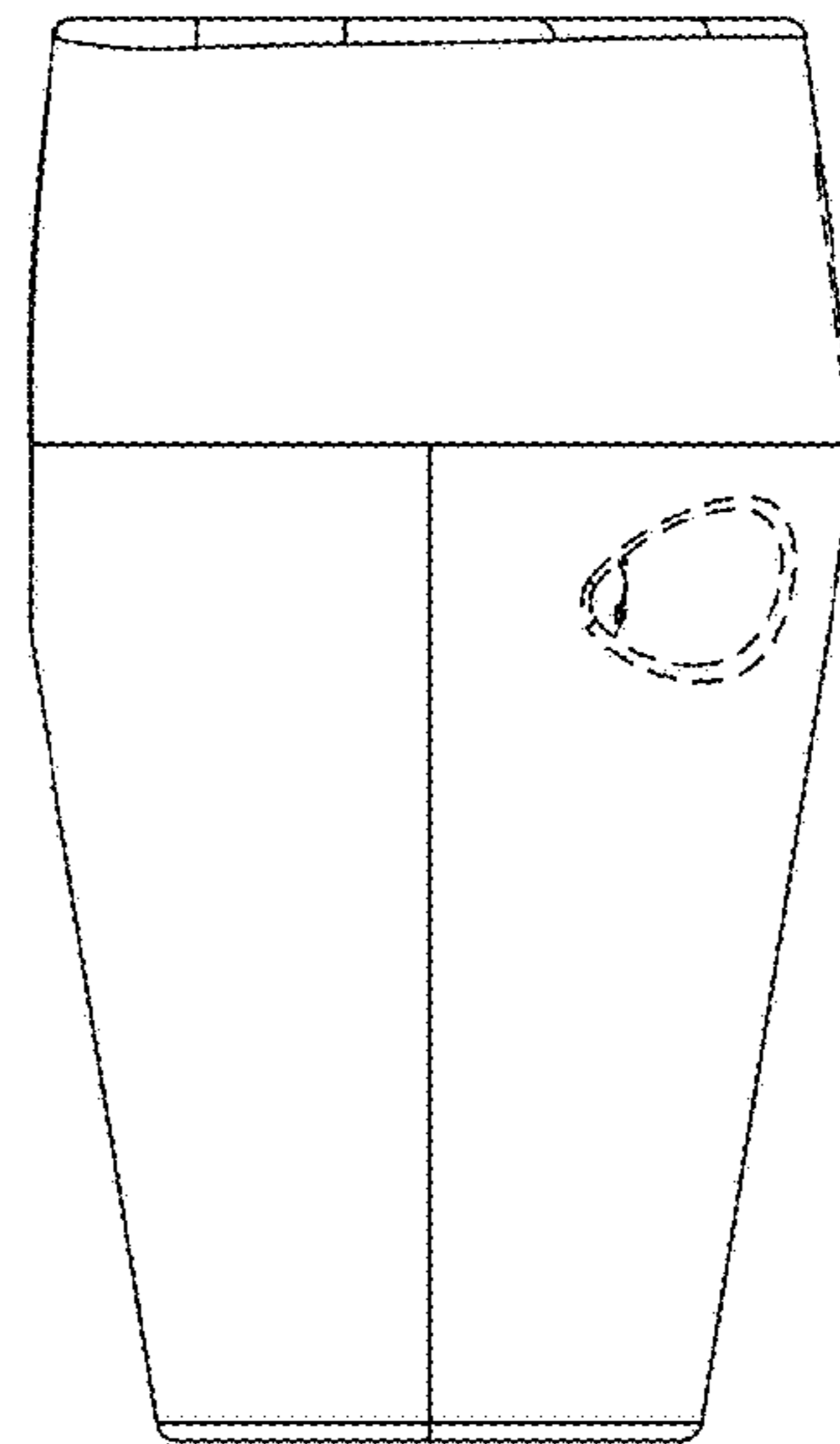


FIG. 7