



US00D844408S

(12) **United States Design Patent** (10) **Patent No.:** **US D844,408 S**
Lu (45) **Date of Patent:** **** Apr. 2, 2019**

(54) **DOOR KNOB**
(71) Applicant: **Glen Lu**, Great Neck, NY (US)
(72) Inventor: **Glen Lu**, Great Neck, NY (US)
(**) Term: **15 Years**
(21) Appl. No.: **29/628,696**
(22) Filed: **Dec. 6, 2017**
(51) **LOC (11) Cl.** **08-06**
(52) **U.S. Cl.**
USPC **D8/301**
(58) **Field of Classification Search**
USPC D8/300-302, 307-309, 310, 311, 330,
D8/331
CPC Y10T 16/44; Y10T 74/20612; Y10T
74/20732; Y10T 16/458; Y10T 16/498;
Y10T 16/469; Y10T 16/476; Y10T
74/20744; Y10T 74/20864; Y10T
16/4628; Y10T 74/20642; Y10T 16/473;
Y10T 74/20762; Y10T 74/2042; Y10T
74/20828; Y10T 16/459; Y10T 16/4713;
Y10T 74/2014; Y10T 16/50; Y10T
74/20438; Y10T 74/20582; Y10T
74/20738; Y10T 16/48; Y10T 74/20618;
Y10T 74/20684; Y10T 74/20624; Y10T
74/20468; Y10T 16/61; Y10T 16/4719;
Y10T 16/86; Y10S 16/30; Y10S 292/31;
Y10S 292/53; Y10S 16/12; Y10S 292/23;
Y10S 292/27; Y10S 292/30; Y10S
292/63; E05B 85/16; E05B 1/0015; E05B
77/06; E05B 79/06; E05B 85/18; E05B
85/12; E05B 85/10; E05B 7/00; E05B
1/0053; E05B 77/265
See application file for complete search history.

D191,631 S * 10/1961 Denker D8/305
3,101,604 A * 8/1963 North E05B 55/005
70/107
D199,922 S * 12/1964 Schlage D8/310
D231,316 S * 4/1974 Bienkowski D8/312
4,876,867 A * 10/1989 Leneave E05B 13/001
70/420
D326,899 S * 6/1992 Haug D23/250
D418,582 S * 1/2000 Gottwald D23/254
6,202,352 B1 * 3/2001 Wilkes E05B 15/02
49/460
D444,695 S * 7/2001 Decosse D8/310
D454,049 S * 3/2002 LaPlume D8/301
D511,290 S * 11/2005 Coudurier D8/310
D545,663 S * 7/2007 Sato D8/310
D564,332 S * 3/2008 McConnell D8/310
D565,927 S * 4/2008 Krumpe D8/310
D589,776 S * 4/2009 Camp D8/310
D618,081 S * 6/2010 Moyer D8/330
D772,037 S * 11/2016 Zimmer D8/310
D781,126 S * 3/2017 Pionek D8/310
D787,297 S * 5/2017 Zimmer D8/310
2017/0350160 A1 * 12/2017 Block E05B 1/0084

* cited by examiner

Primary Examiner — Lauren R Calve
(74) *Attorney, Agent, or Firm* — Ira Stickler, Esq.

(57) **CLAIM**

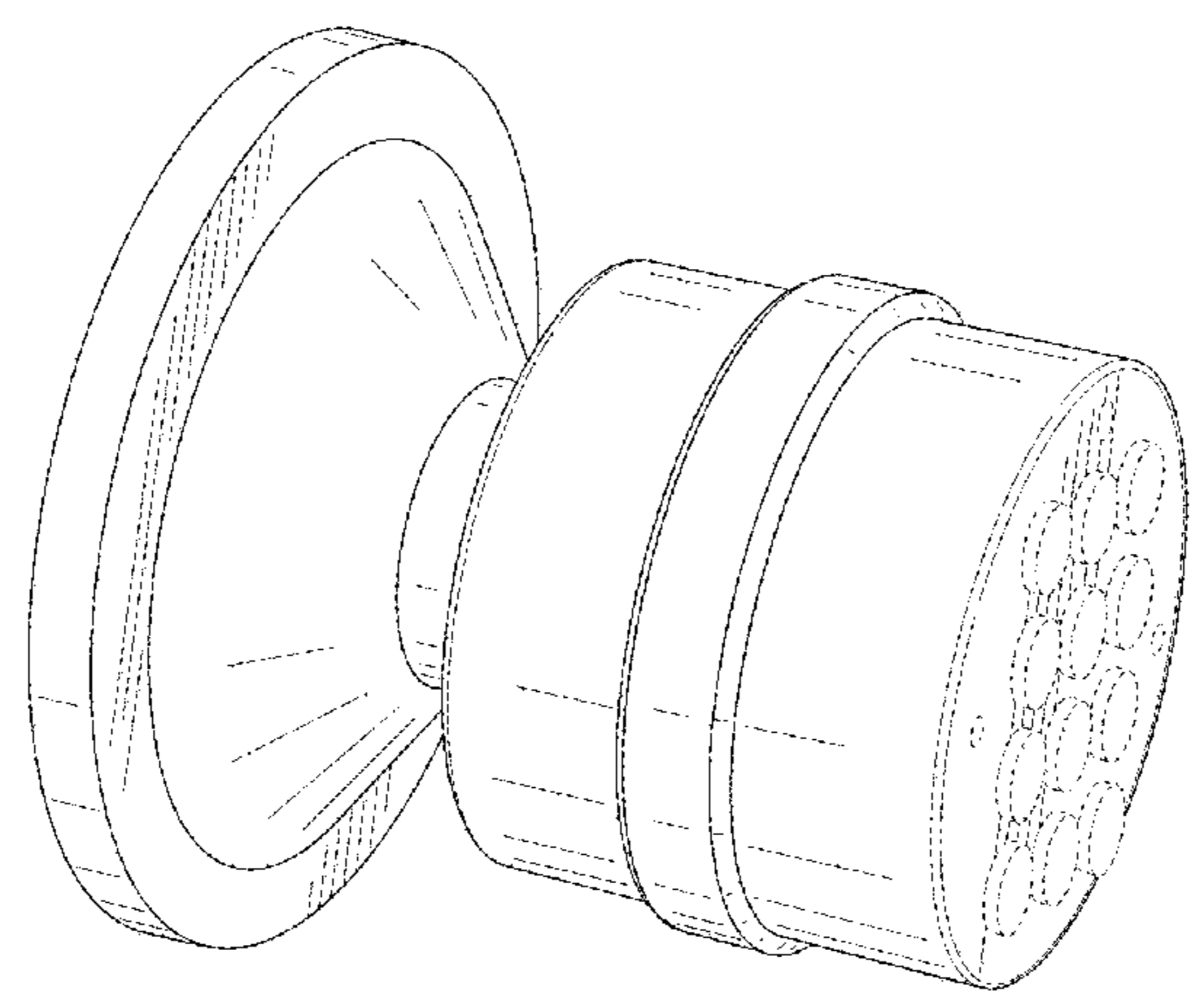
The ornamental design for a door knob, as shown and described.

DESCRIPTION

FIG. 1 is a perspective view of a door knob.
FIG. 2 is a top view thereof.
FIG. 3 is a bottom view thereof.
FIG. 4 is a first side view thereof; and,
FIG. 5 is a second side view thereof.
The dashed lines in the views form no part of the claimed design and are provided as illustration aids.

1 Claim, 5 Drawing Sheets

(56) **References Cited**
U.S. PATENT DOCUMENTS
2,919,947 A * 1/1960 Scott E05B 1/0007
292/347
D191,471 S * 10/1961 Russell D8/310



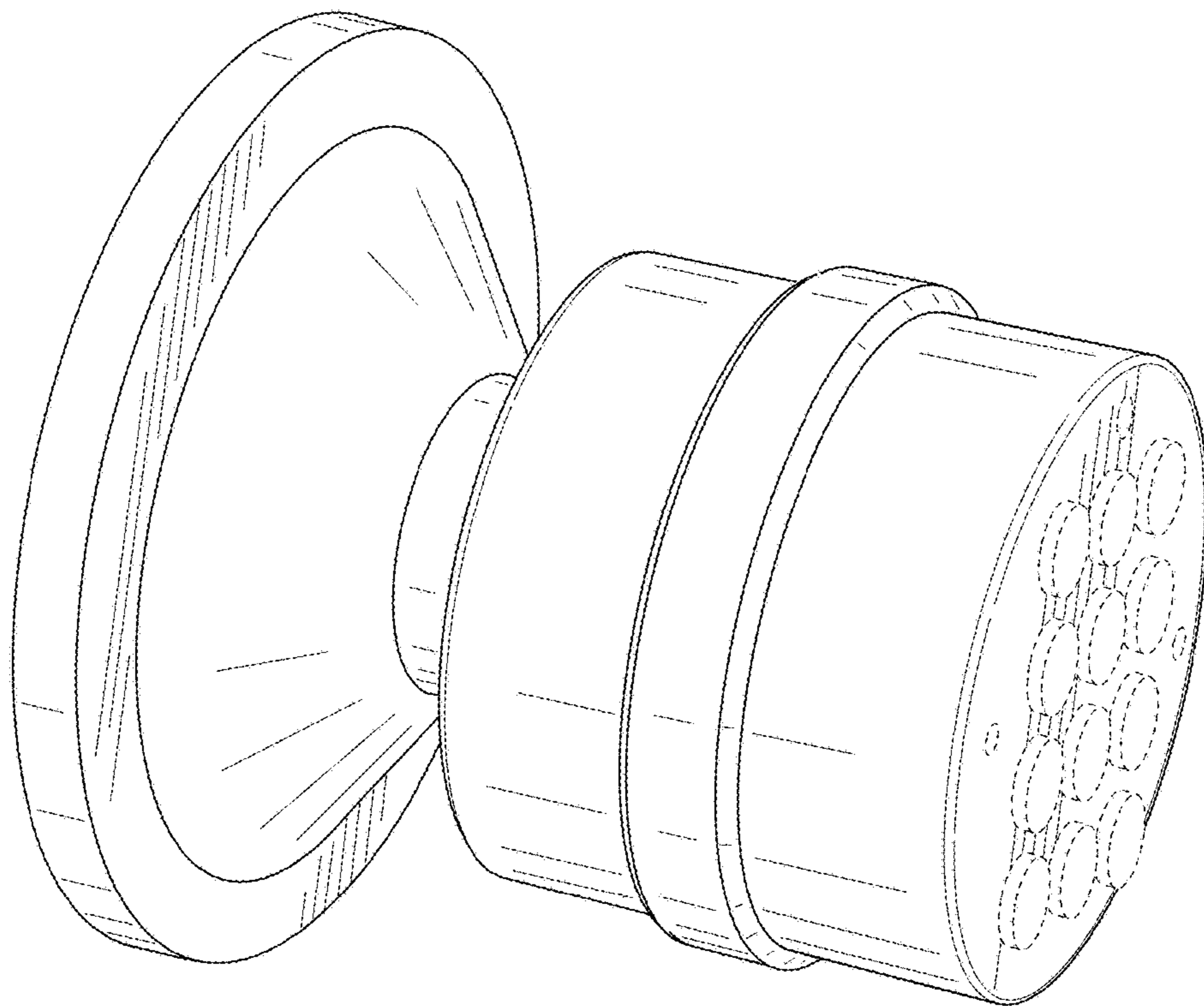


FIG. 1

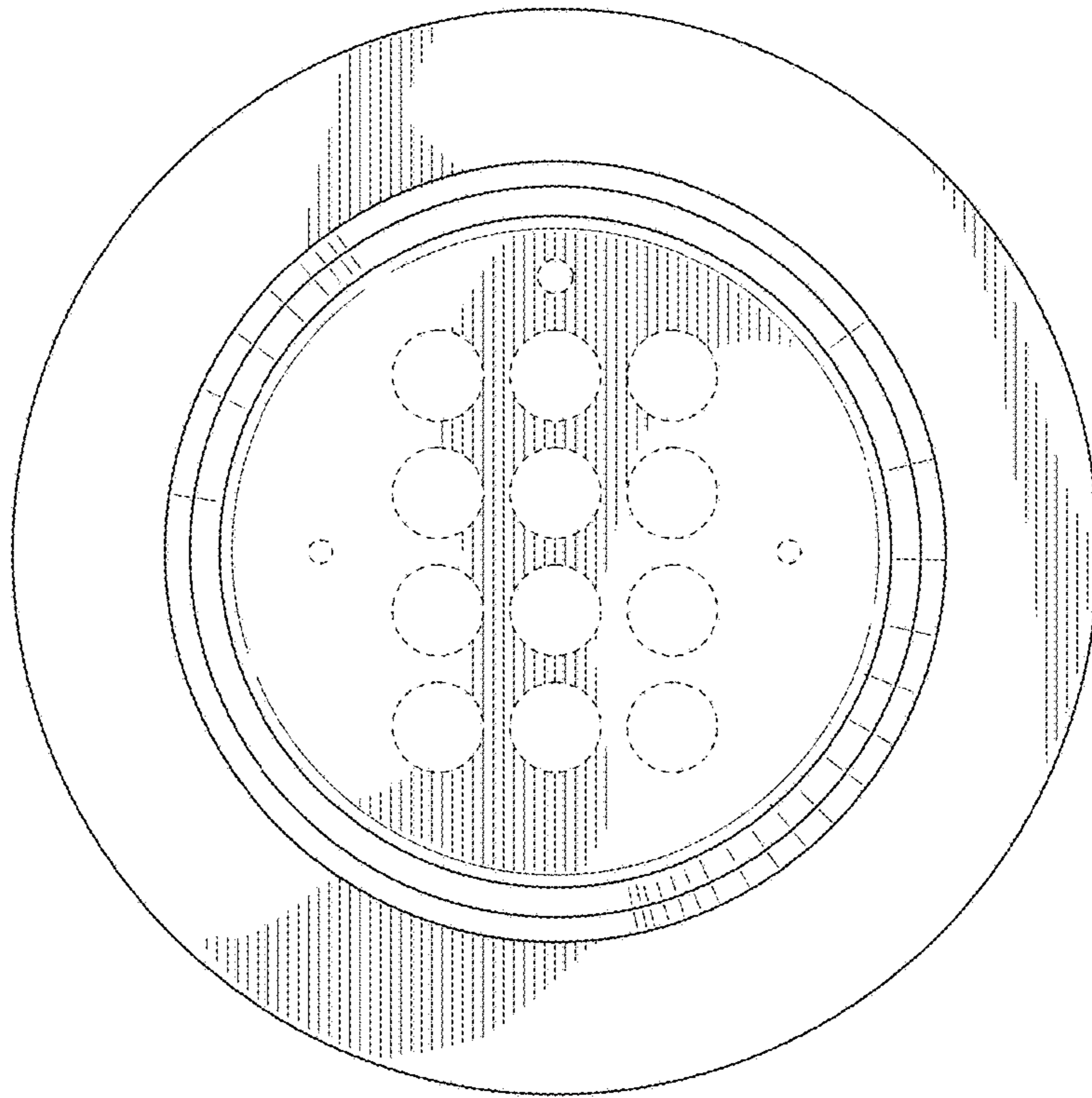


FIG. 2

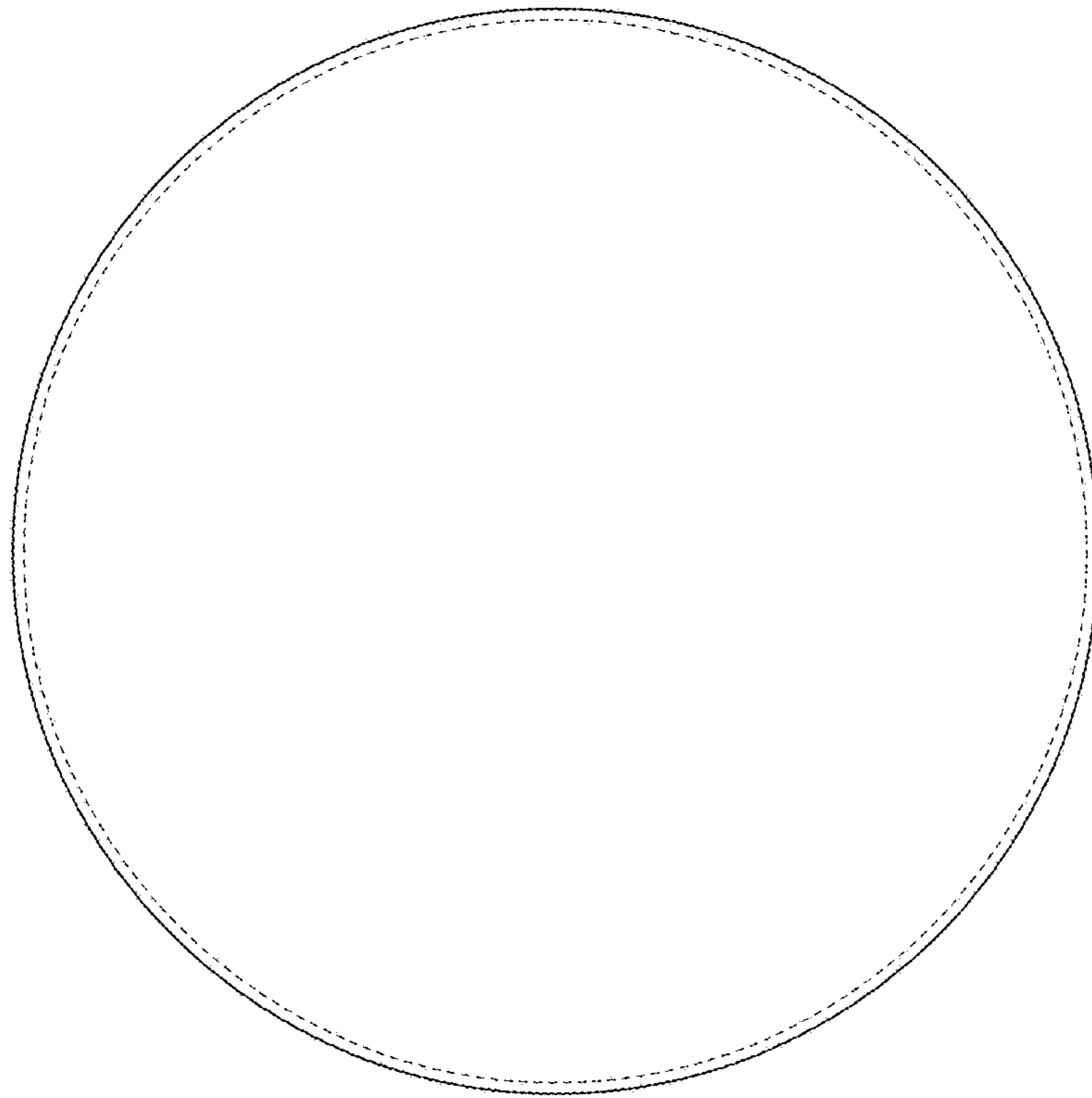


FIG. 3

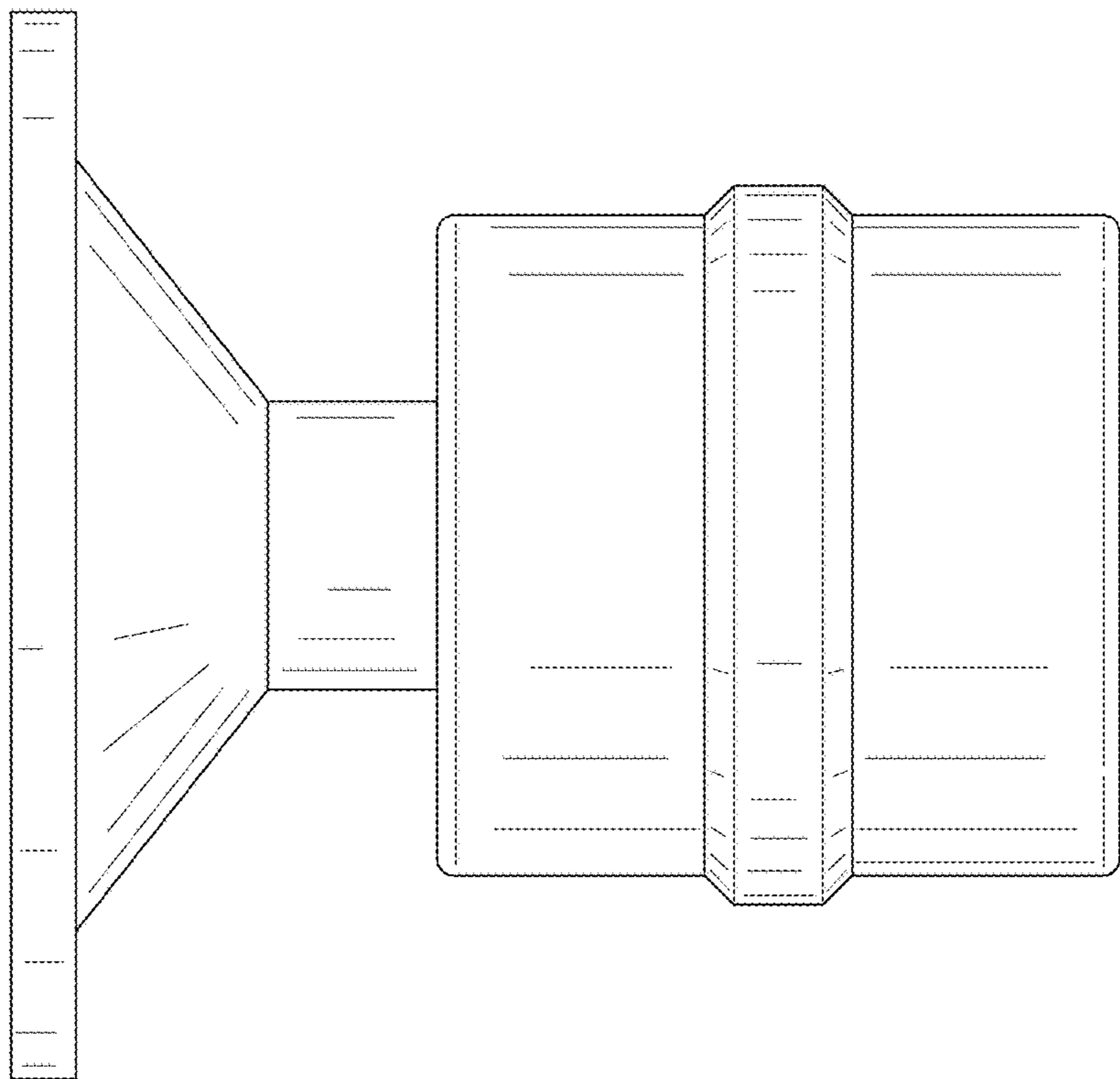


FIG. 4

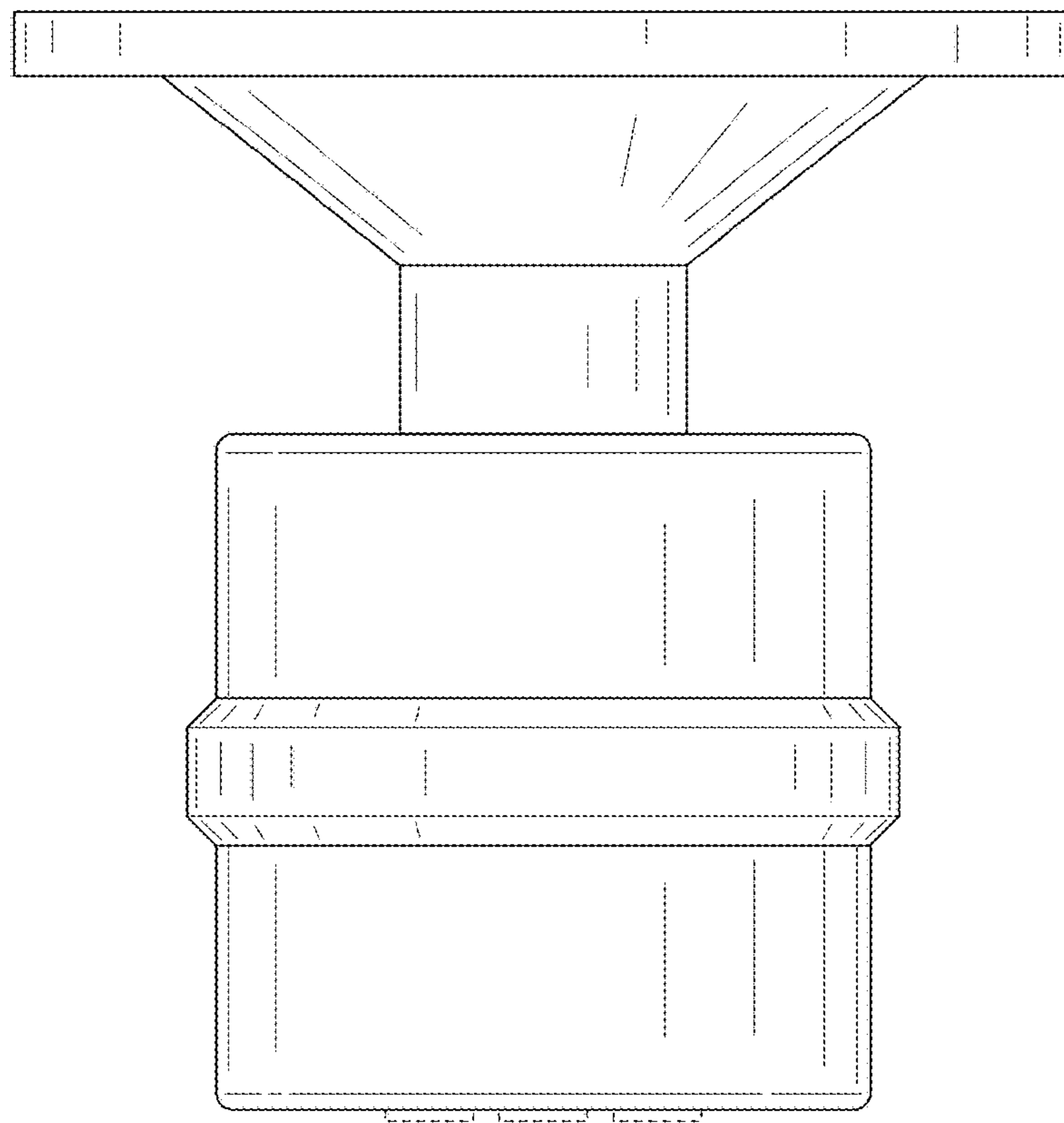


FIG. 5