



US00D844407S

(12) **United States Design Patent** (10) **Patent No.:** **US D844,407 S**
Stokes et al. (45) **Date of Patent:** **** Apr. 2, 2019**

(54) **SNAP-OFF UTILITY KNIFE**
(71) Applicant: **Fiskars Finland Oy Ab**, Helsinki (FI)
(72) Inventors: **Steve Stokes**, Fitchburg, WI (US);
Colin Roberts, Waunakee, WI (US);
Stephen P. Dechant, Waunakee, WI (US);
Aaron Honadel, Verona, WI (US)
(73) Assignee: **Fiskars Finland Oy Ab**, Helsinki (FI)
(**) Term: **15 Years**
(21) Appl. No.: **29/604,273**
(22) Filed: **May 16, 2017**
(51) **LOC (11) Cl.** **08-03**
(52) **U.S. Cl.**
USPC **D8/99**
(58) **Field of Classification Search**
USPC D8/98, 99, 100, 105, 107; D22/118
CPC .. B26B 1/08; B26B 5/00; B26B 5/001; B26B 5/002; B26B 5/003; B26B 5/006; B26B 1/00
See application file for complete search history.

(56) **References Cited**
U.S. PATENT DOCUMENTS
3,650,433 A 3/1972 Robertson
D224,290 S 7/1972 Roberston
4,379,514 A 4/1983 Joffe
4,660,284 A 4/1987 DeCarolis
4,789,080 A 12/1988 Iten
D299,413 S 1/1989 Decarolis
4,850,512 A 7/1989 Vujovich
4,936,014 A 6/1990 Shaanan et al.
5,251,783 A 10/1993 Gringer
5,584,123 A 12/1996 Chi
5,661,908 A 9/1997 Chen
D412,655 S * 8/1999 Gilbert D8/99

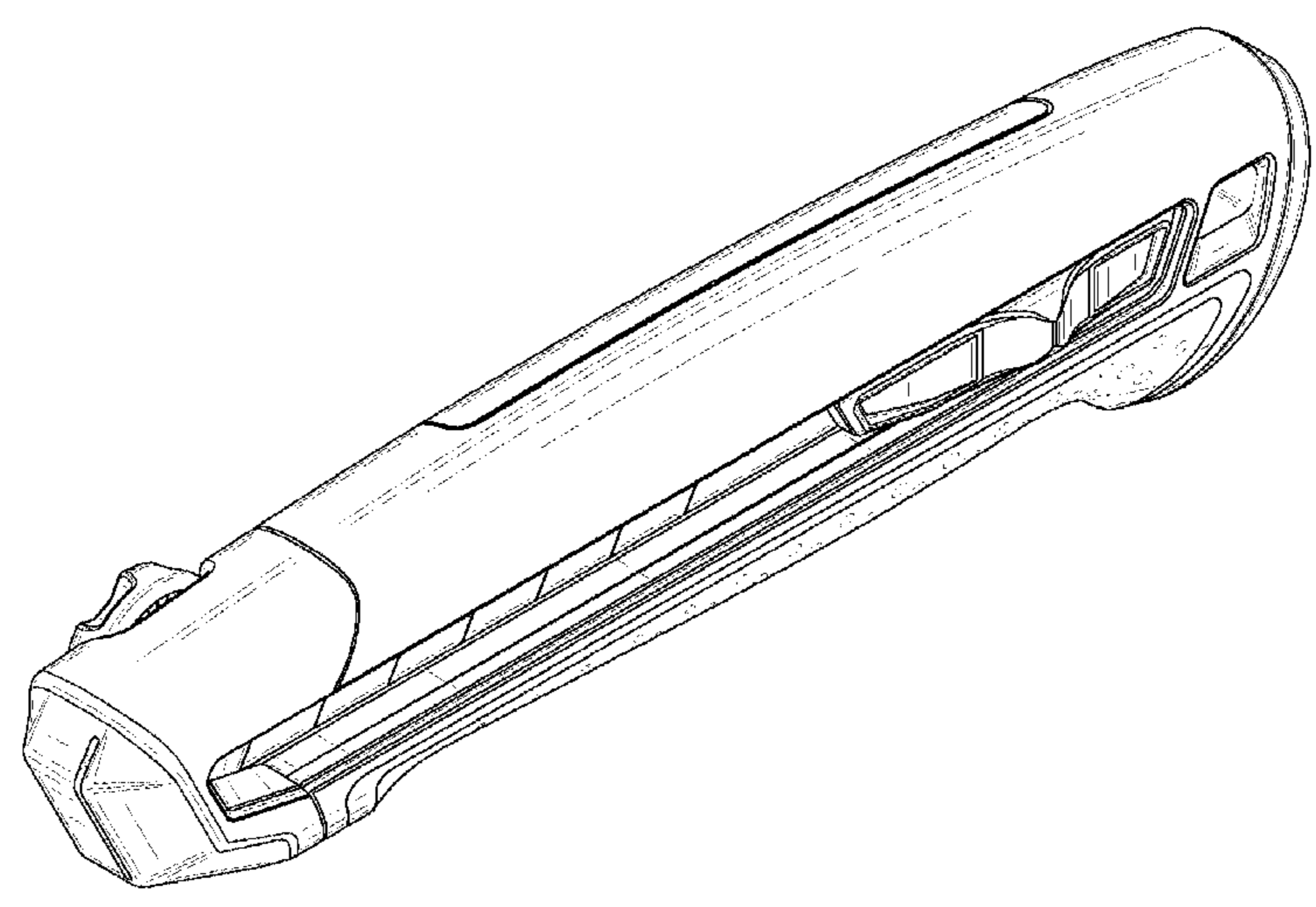
D414,670 S 10/1999 Linden
D420,270 S 2/2000 Martone
6,158,616 A 12/2000 Huang
D439,492 S 3/2001 Martone et al.
D445,662 S 7/2001 Huang
D458,106 S * 6/2002 Chong D8/99
D462,861 S 9/2002 Schmidt
6,449,850 B1 9/2002 Gilbert
6,467,173 B1 10/2002 Umstead et al.
6,598,761 B1 7/2003 Chou
6,789,326 B1 9/2004 Huang
D510,010 S 9/2005 Brown et al.
D511,447 S 11/2005 Brown et al.
D525,104 S 7/2006 Samberg
7,093,367 B1 8/2006 Huang
D527,602 S 9/2006 Axon et al.
D536,624 S 2/2007 Novak et al.
D551,933 S 10/2007 Guo
D553,936 S * 10/2007 Takamasa D8/99
(Continued)

Primary Examiner — Philip S Hyder
(74) *Attorney, Agent, or Firm* — Foley & Lardner LLP

(57) **CLAIM**
We claim the ornamental design for a snap-off utility knife, as shown and described.

DESCRIPTION
FIG. 1 is a top perspective view of an embodiment of the claimed design;
FIG. 2 is a front view thereof;
FIG. 3 is a rear view thereof;
FIG. 4 is a left side view thereof;
FIG. 5 is a right side view thereof;
FIG. 6 is a top view thereof;
FIG. 7 is a bottom view thereof; and,
FIG. 8 is a bottom perspective view thereof.
The broken lines depict portions of the snap-off utility knife in which the design is embodied that are not considered part of the claimed design.

1 Claim, 5 Drawing Sheets



(56)

References Cited

U.S. PATENT DOCUMENTS

D554,774 S	11/2007	Antonic		D731,280 S	6/2015	Dahlberg et al.	
D558,555 S	1/2008	Huang		D731,281 S	6/2015	Dahlberg et al.	
D560,462 S *	1/2008	Takamasa	D8/98	D731,282 S	6/2015	Dahlberg et al.	
D560,999 S	2/2008	Ping		D731,283 S *	6/2015	Dahlberg	D8/99
D564,328 S	3/2008	Smith		D731,870 S	6/2015	Dahlberg et al.	
D565,919 S *	4/2008	Kondo	D8/99	D735,552 S *	8/2015	Hung	D8/99
D572,107 S	7/2008	Maraia et al.		D738,182 S	9/2015	Parker et al.	
7,516,550 B2	4/2009	Hagan et al.		9,162,811 B2	10/2015	Schneider et al.	
D596,915 S *	7/2009	Garcia	D8/99	D751,883 S	3/2016	Huang et al.	
D602,326 S	10/2009	Garcia et al.		D756,191 S *	5/2016	Horovitz	D8/99
D603,680 S	11/2009	Wu		D767,915 S	10/2016	Held	
7,797,835 B2	9/2010	Zeng		D793,198 S	8/2017	Wang	
D624,833 S	10/2010	van Deursen		2003/0085236 A1	5/2003	Schmidt	
D686,481 S	7/2013	Robinson et al.		2004/0099682 A1	5/2004	Huang	
8,539,680 B2	9/2013	Strauss		2004/0178214 A1	9/2004	Wei	
D705,033 S	5/2014	Dahlberg et al.		2006/0272157 A1	12/2006	Zeng	
D720,628 S	1/2015	Erdmann		2016/0304269 A1	10/2016	Erdmann et al.	
				2017/0021511 A1	1/2017	Chiu	
				2017/0174412 A1	6/2017	Wonderley et al.	
				2018/0021964 A1	1/2018	Rohrbach	

* cited by examiner

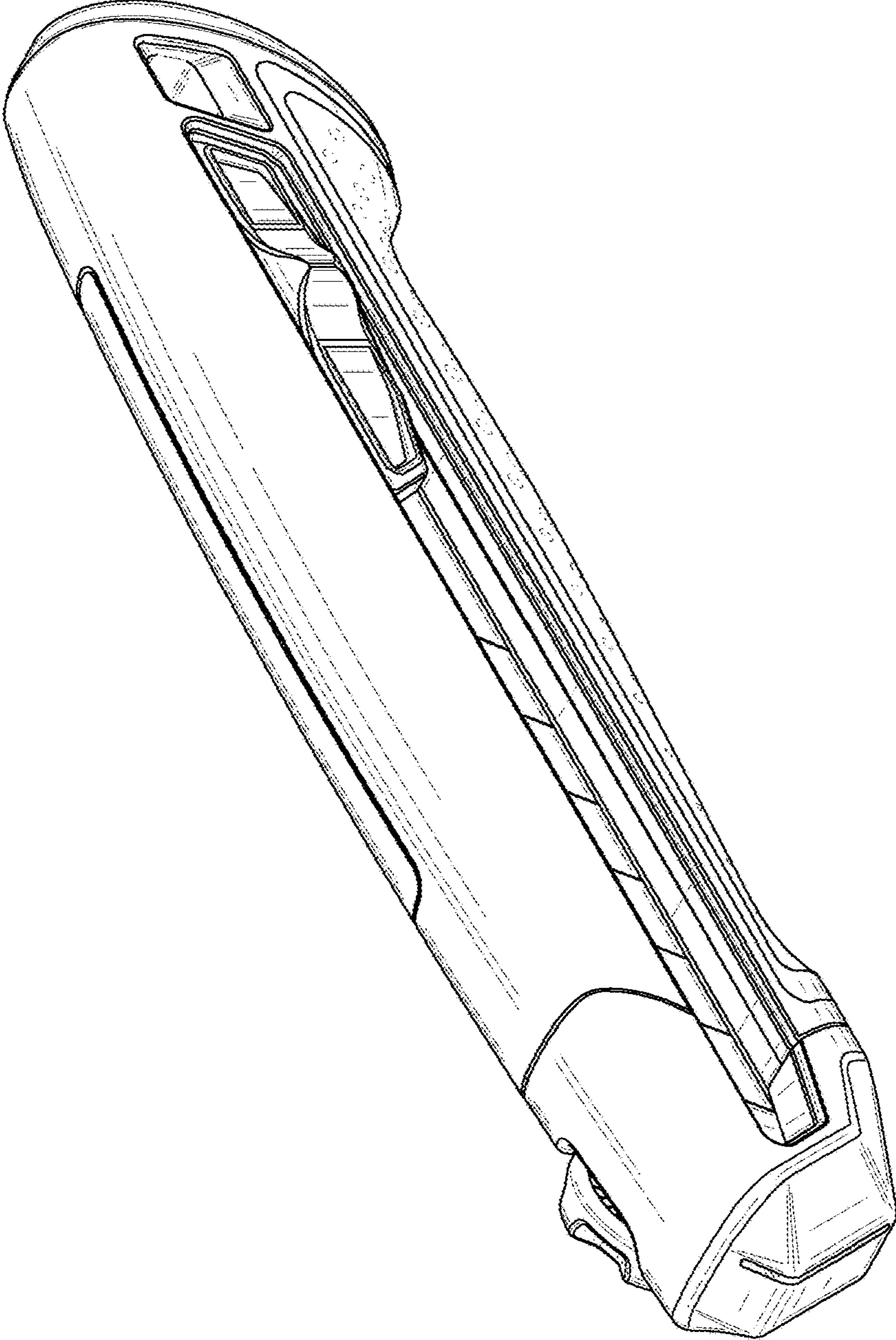


FIG. 1

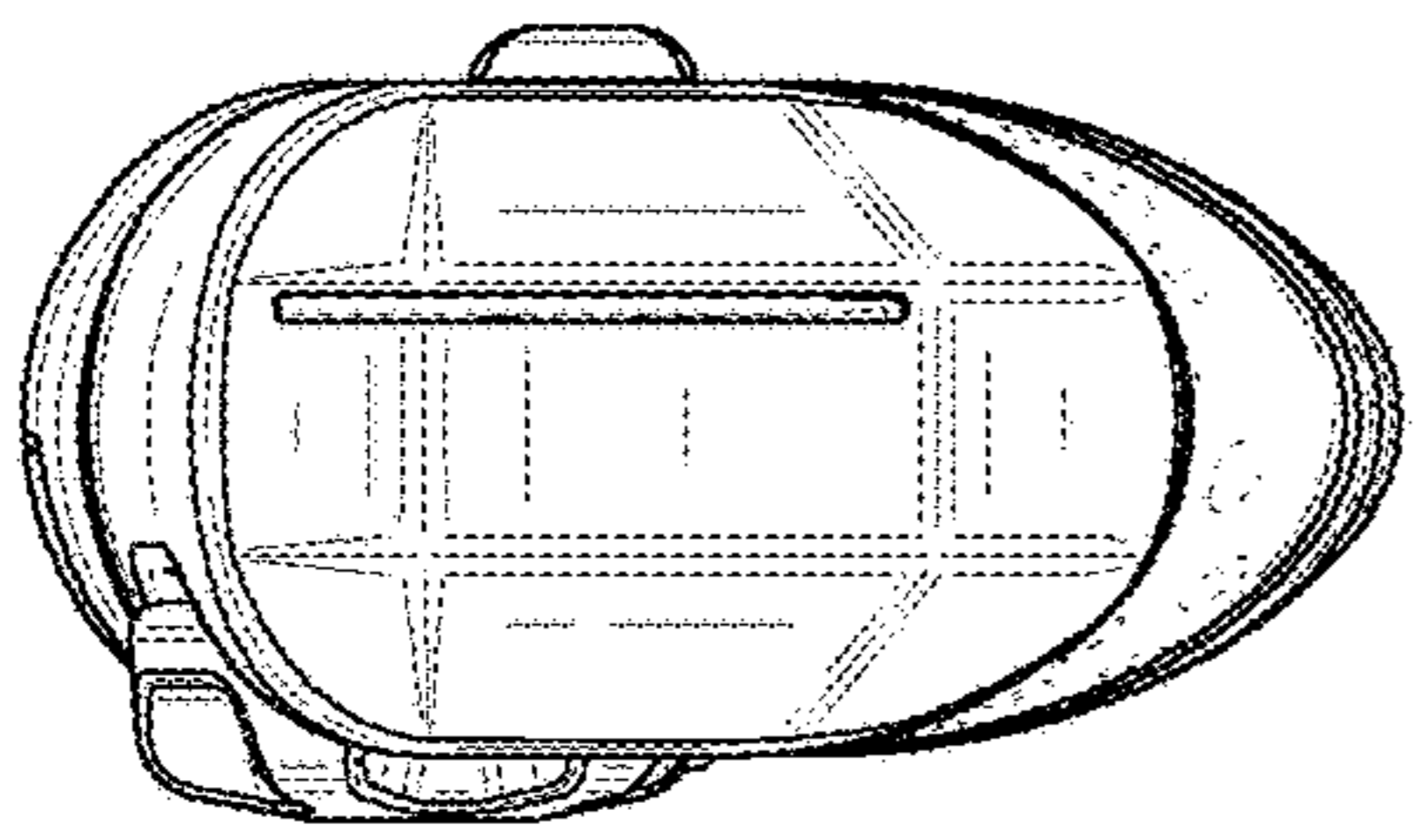


FIG. 2

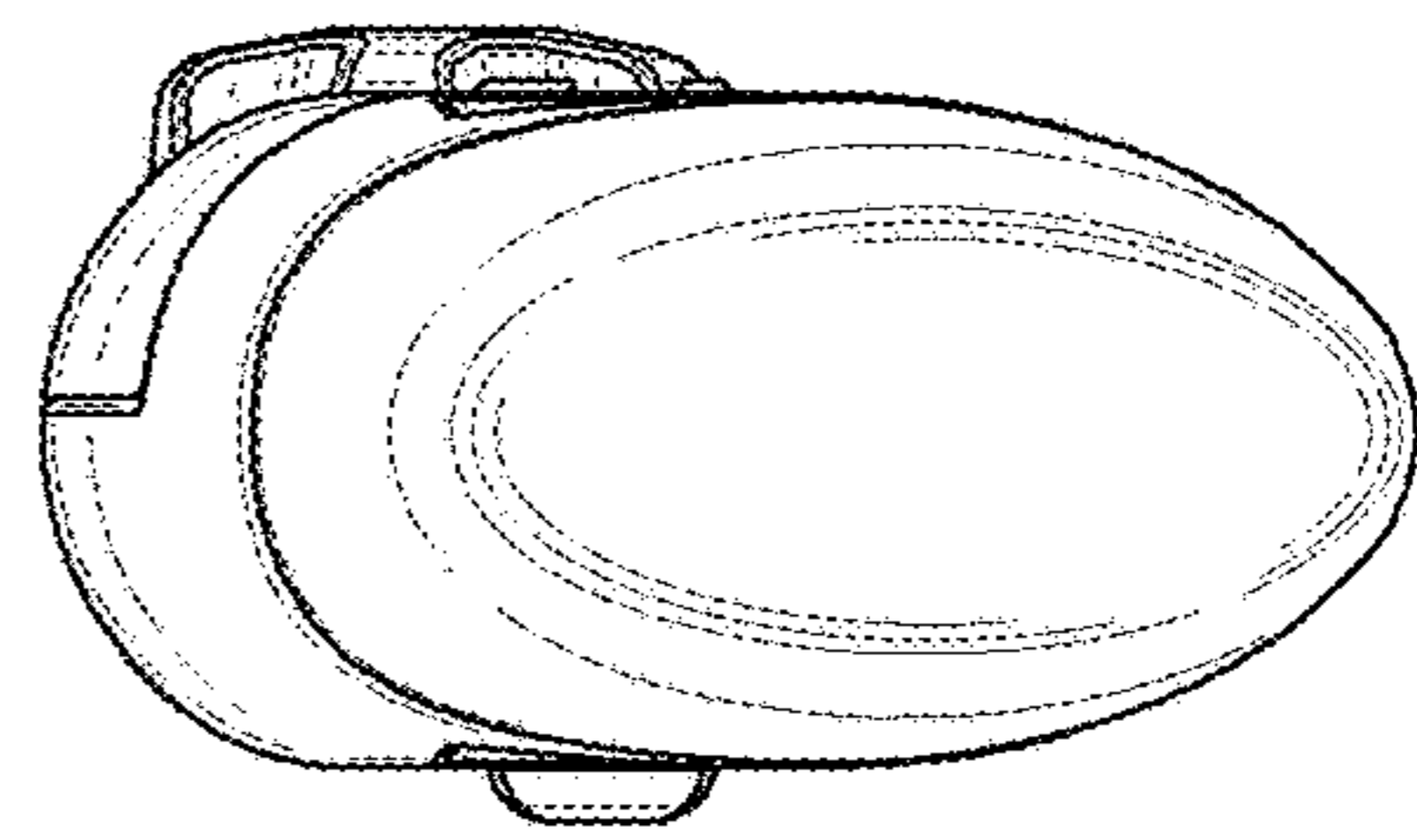


FIG. 3

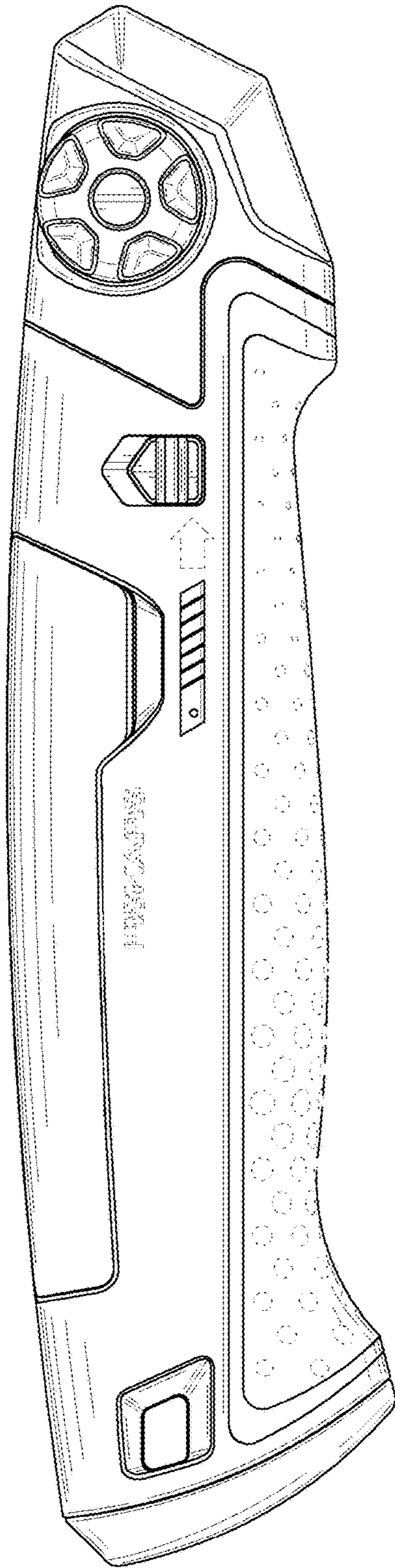


FIG. 4

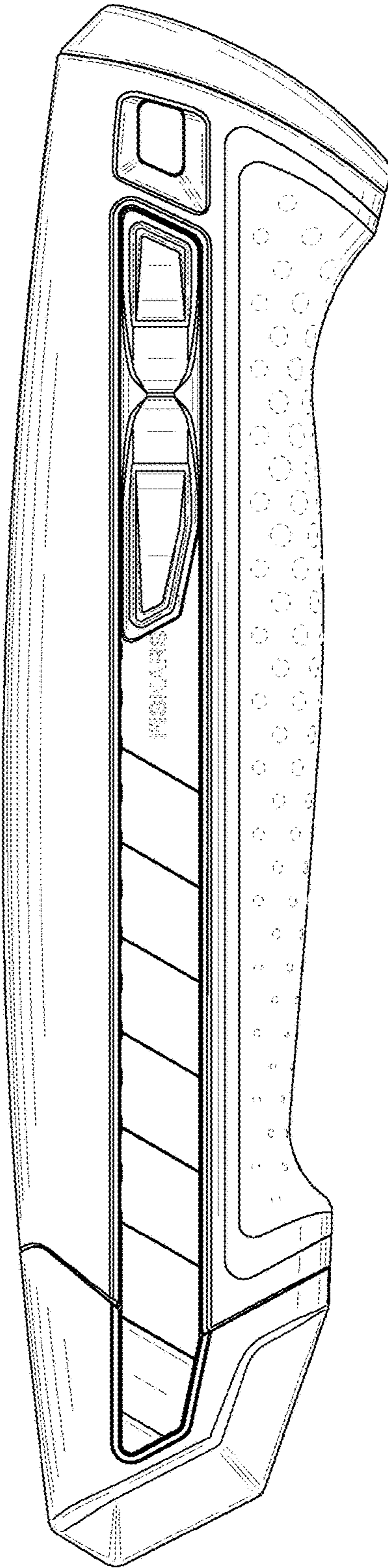


FIG. 5

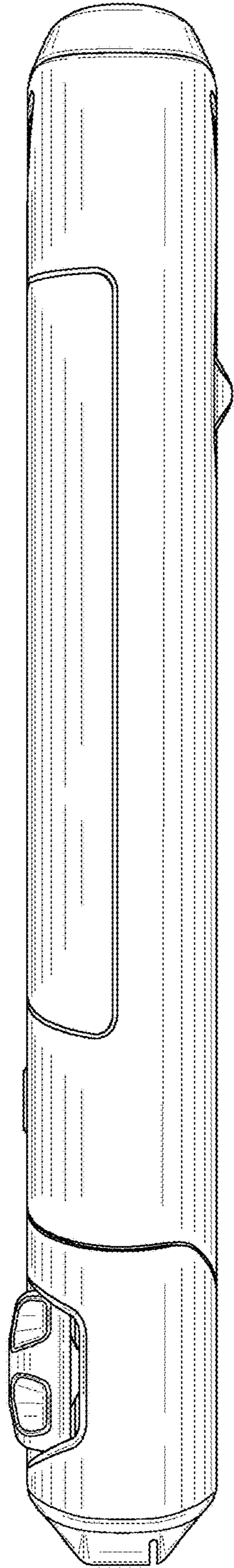


FIG. 6

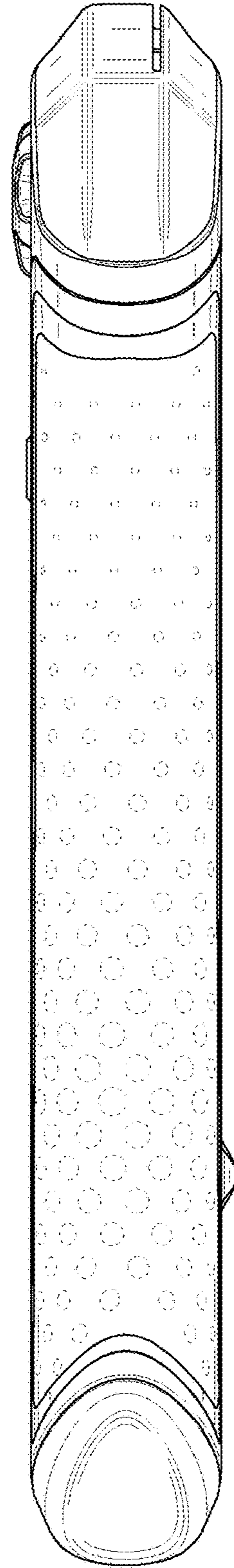


FIG. 7

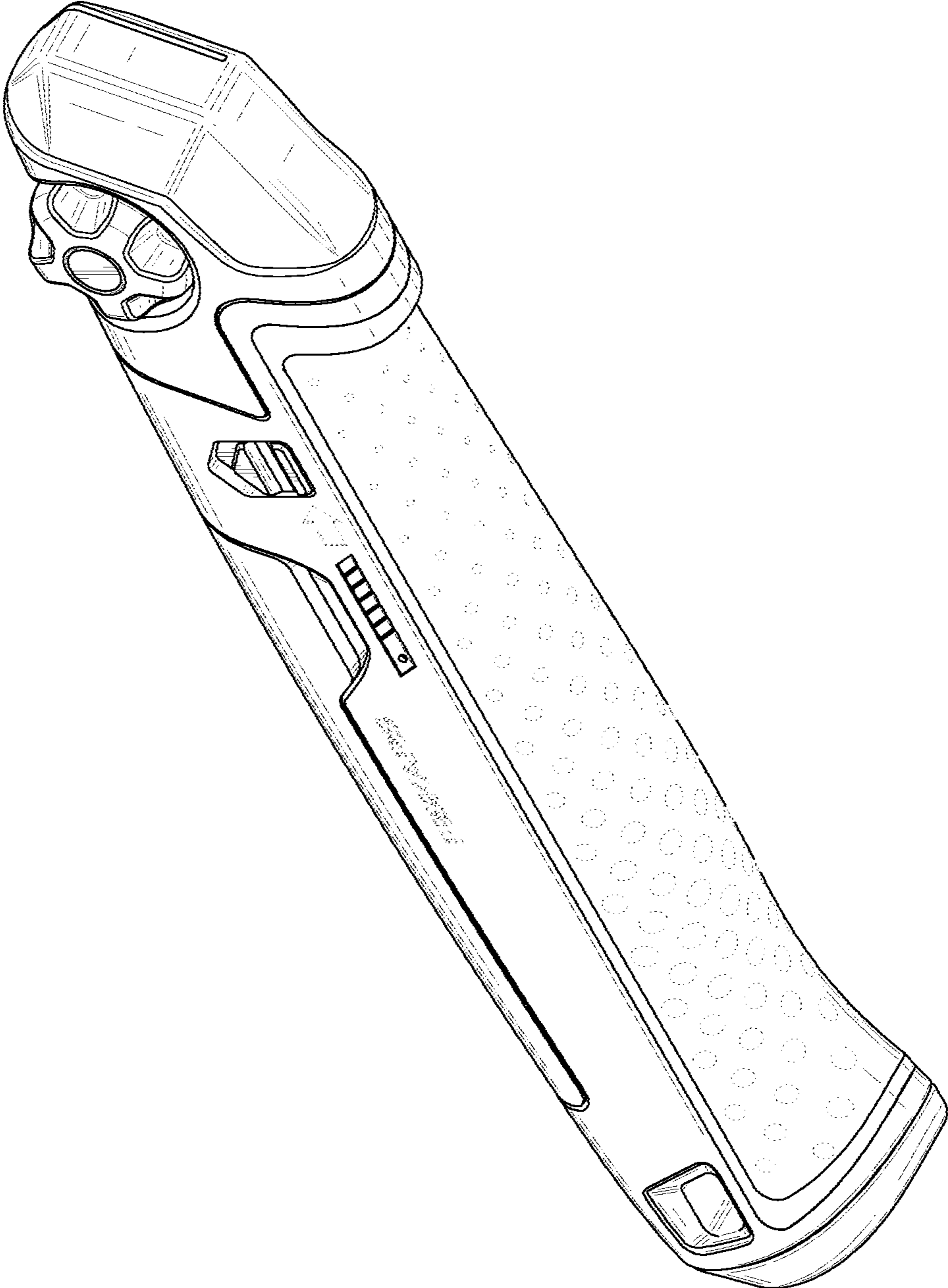


FIG. 8