



US00D844406S

(12) **United States Design Patent** (10) **Patent No.:** **US D844,406 S**
Wenning et al. (45) **Date of Patent:** **** Apr. 2, 2019**

(54) **SPRING CLAMP JAW ASSEMBLY**

(56) **References Cited**

(71) Applicant: **Rockler Companies, Inc.**, Medina, MN (US)

U.S. PATENT DOCUMENTS

(72) Inventors: **Daniel Lloyd Wenning**, Minnetonka, MN (US); **Jonathan James Barth**, Elk River, MN (US)

D641,224 S *	7/2011	Gupta	D8/72
D665,860 S *	8/2012	Lovegrove	D21/694
D675,512 S *	2/2013	Gary	D8/395
D681,414 S *	5/2013	Tatic	D8/373
D720,612 S *	1/2015	Gilbert	D8/394
D742,213 S *	11/2015	Sasanecki	D8/396
D747,181 S *	1/2016	Hikoyama	D8/394
D750,476 S *	3/2016	Huang	D8/395
D751,377 S *	3/2016	Duffy	D8/395
D753,990 S *	4/2016	Swan	D22/108
D753,991 S *	4/2016	Pan	D8/395
D754,530 S *	4/2016	Schroeder	D8/396

(73) Assignee: **Rockler Companies, Inc.**, Medina, MN (US)

(**) Term: **15 Years**

* cited by examiner

(21) Appl. No.: **29/580,962**

(22) Filed: **Oct. 14, 2016**

Primary Examiner — David G Muller

(74) *Attorney, Agent, or Firm* — James L. Young; Westman, Champlin & Koehler, P.A.

Related U.S. Application Data

(62) Division of application No. 29/523,836, filed on Apr. 14, 2015, now Pat. No. Des. 771,465.

(57) **CLAIM**

The ornamental design for a spring clamp jaw assembly, as shown and described.

(51) **LOC (11) Cl.** **08-05**

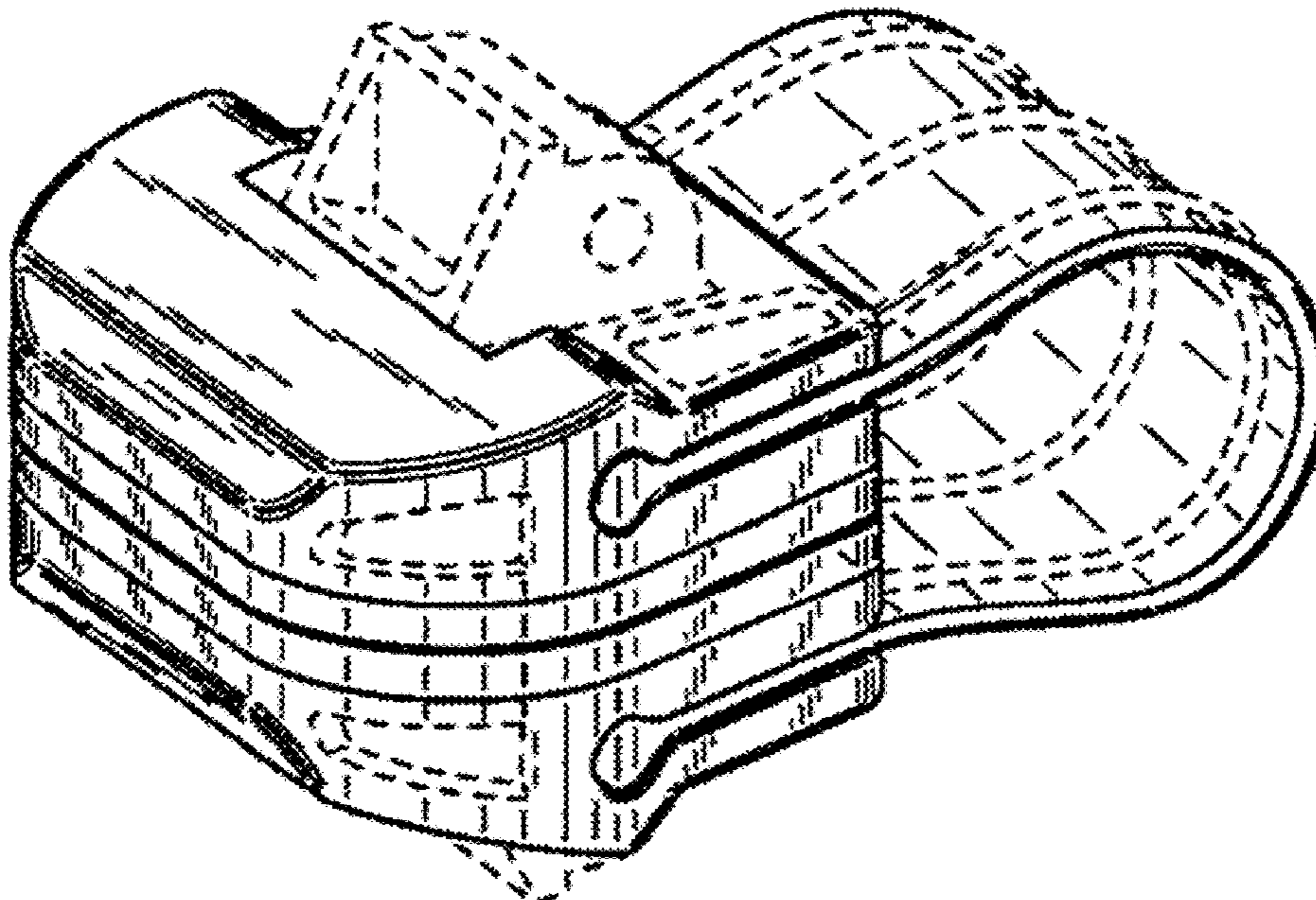
DESCRIPTION

(52) **U.S. Cl.**
USPC **D8/72**

(58) **Field of Classification Search**
USPC D24/71-74, 394-399, 59; 248/63, 72, 248/74.1, 689, 124.2; 81/487, 385, 386, 81/388-390; 269/3, 4, 6, 143, 165, 240, 269/243, 246-249, 254 R, 147-149; 29/256, 257, 276; 408/103, 104-109
CPC B25B 1/00; B25B 5/00
See application file for complete search history.

FIG. 1 is a perspective view of a spring clamp jaw assembly; FIG. 2 is a right side view thereof, wherein the left side view is substantially a mirror image of the right side view; FIG. 3 is a top view thereof, wherein a bottom view is substantially a mirror image of the top view; FIG. 4 is a front view thereof; and, FIG. 5 is a back view thereof.
The dashed lines form no part of the claimed design.

1 Claim, 1 Drawing Sheet



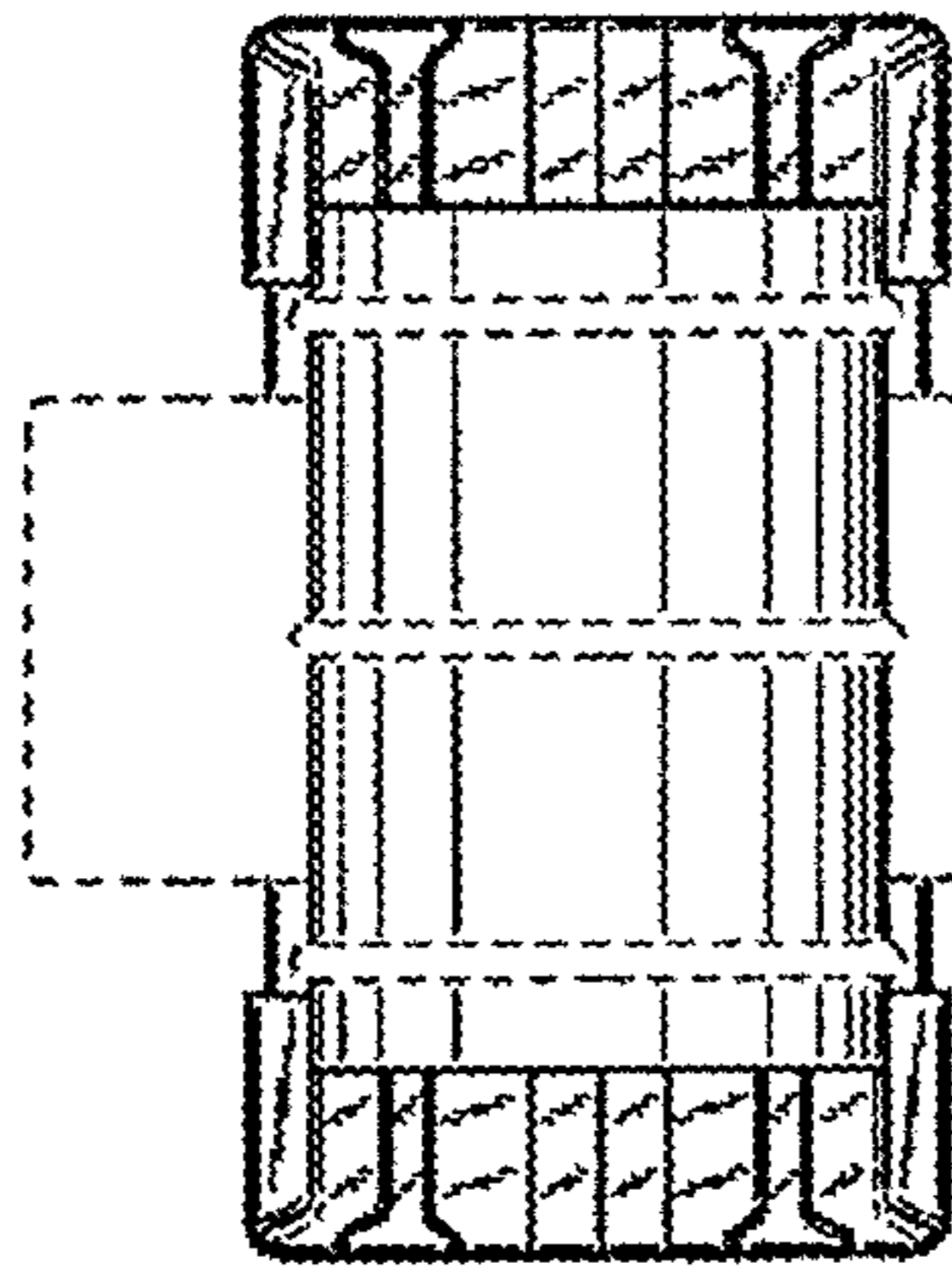


FIG. 5

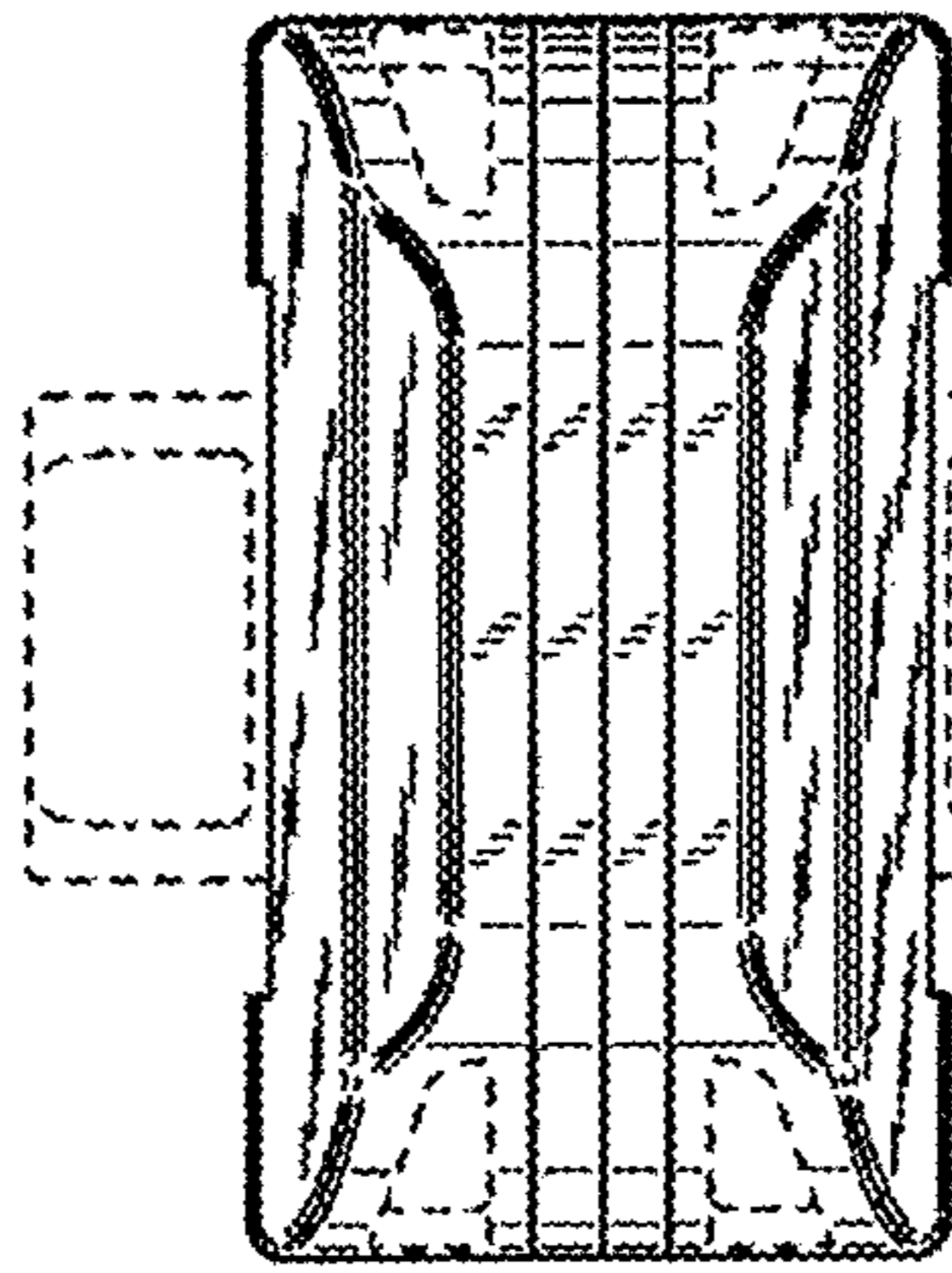


FIG. 4

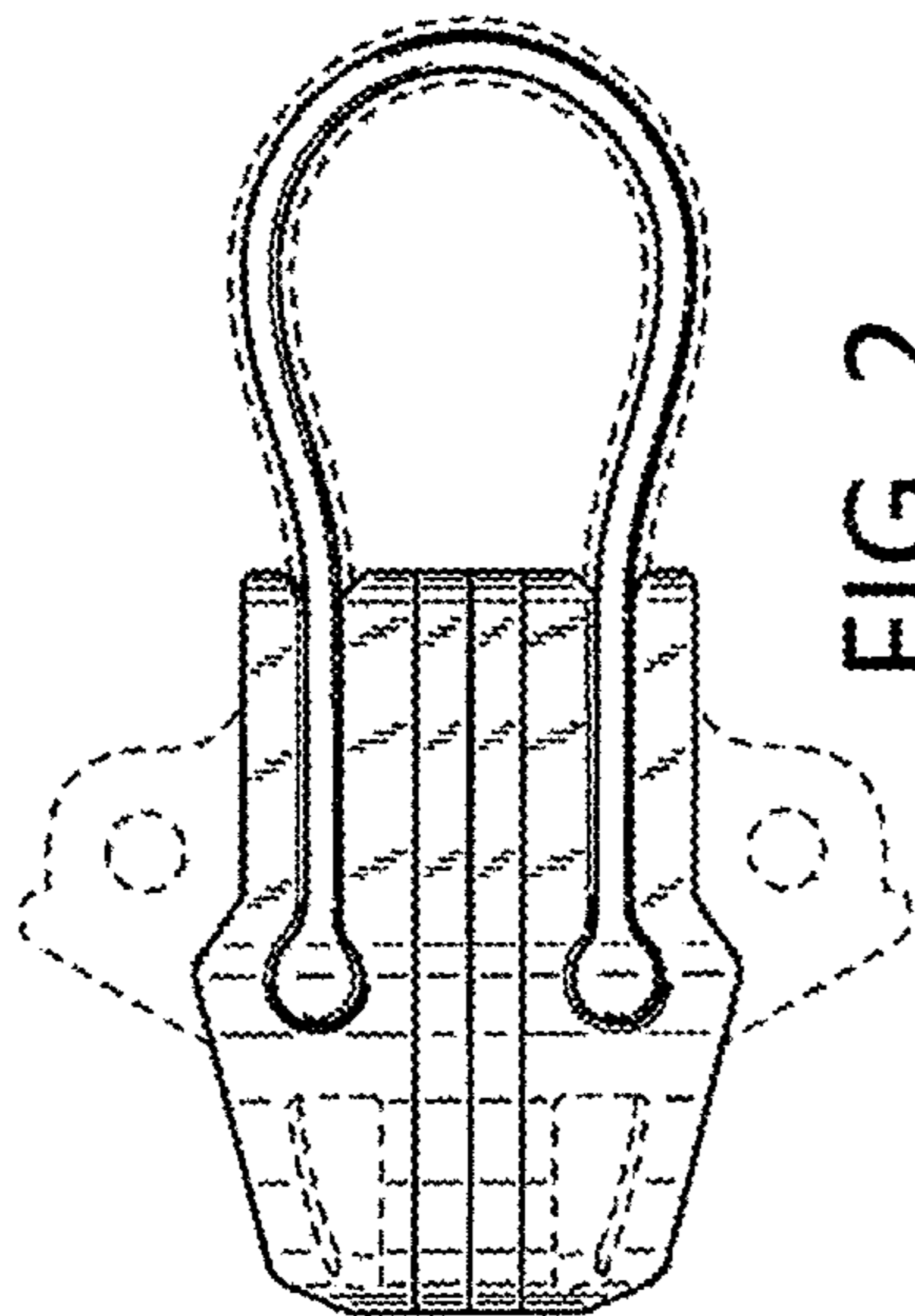


FIG. 2

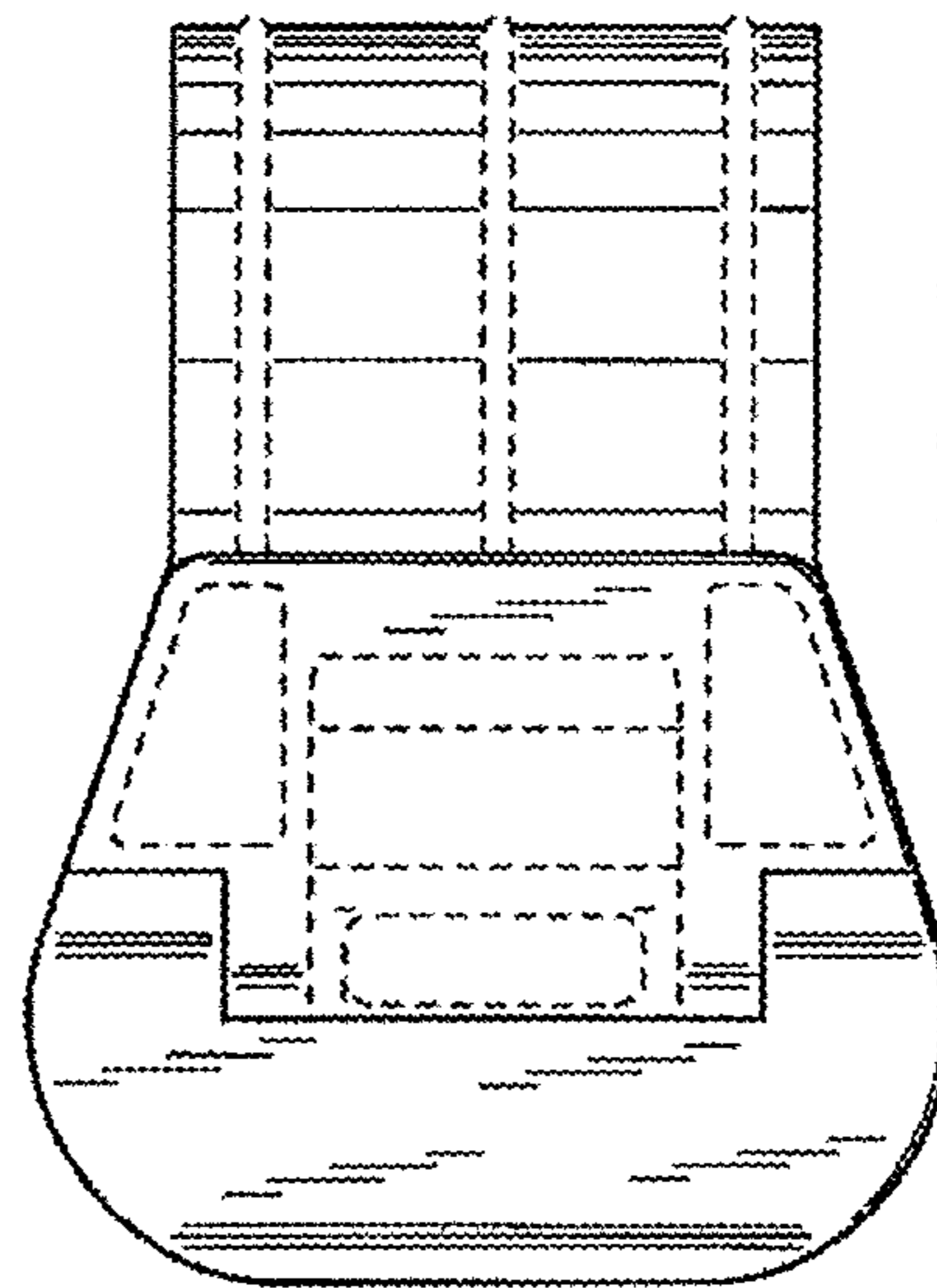


FIG. 3

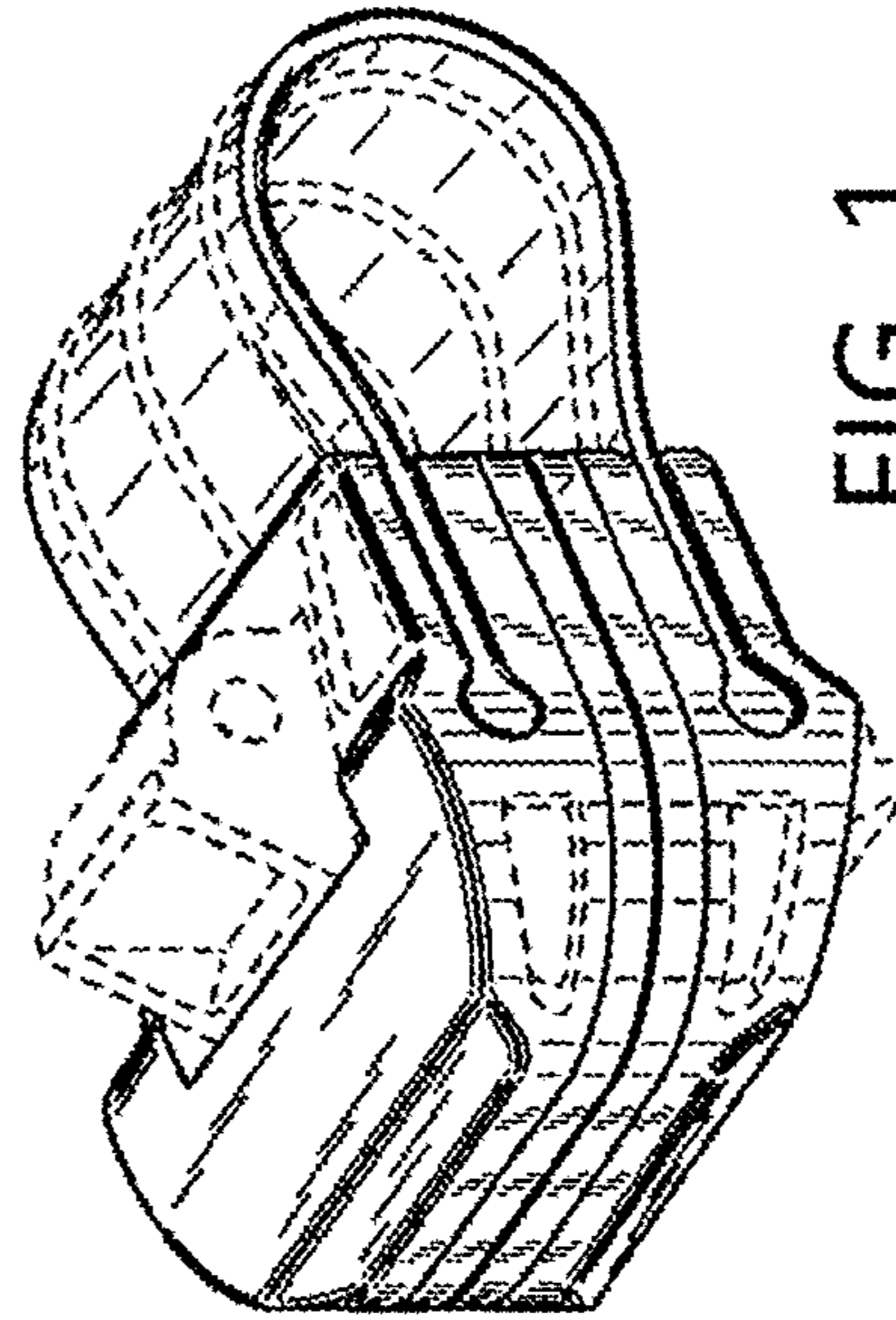


FIG. 1