



US00D844405S

(12) **United States Design Patent** (10) **Patent No.:** **US D844,405 S**
Shen (45) **Date of Patent:** **** Apr. 2, 2019**

(54) **TORCH**
(71) Applicant: **Pro-Iroda Industries, Inc.**, Taichung (TW)
(72) Inventor: **Jian-Jhang Shen**, Taichung (TW)
(73) Assignee: **Pro-Iroda Industries, Inc.**, Taichung (TW)
(**) Term: **15 Years**
(21) Appl. No.: **29/618,609**
(22) Filed: **Sep. 22, 2017**
(51) **LOC (11) Cl.** **08-05**
(52) **U.S. Cl.**
USPC **D8/29.1; D15/144**
(58) **Field of Classification Search**
USPC D3/263, 281, 905; D8/5, 14, 29.1, 29.23, D8/41, 52, 60, 70.1, 68, 107, 303, 336, D8/499, 51; D12/100, 129, 130; D22/100, 101, 102, 103, 104, 105, 108, D22/115, 116, 199; D24/144; D15/144
CPC B23K 9/28; B23K 9/125; B23K 9/295; B23K 9/1336
See application file for complete search history.

(56) **References Cited**
U.S. PATENT DOCUMENTS
D260,846 S * 9/1981 Summers 219/121.39
D307,379 S * 4/1990 Knispel D8/14.1
D376,302 S * 12/1996 Tsai D8/29.1
D406,737 S * 3/1999 Farnham D8/29.1
D410,988 S * 6/1999 Hines D22/100
D416,920 S * 11/1999 Chou D15/144
D452,288 S * 12/2001 Kay D22/108
D456,428 S * 4/2002 Aronson, II D15/144
D456,828 S * 5/2002 Aronson, II D15/144
D474,949 S * 5/2003 Schaffeld D8/14.1
D477,507 S * 7/2003 Lin D8/30

D477,747 S * 7/2003 Hsu D7/416
D481,277 S * 10/2003 Waldron D8/29.1
D481,598 S * 11/2003 Lin D8/29.1
D505,845 S * 6/2005 Lin D8/14.1
D514,606 S * 2/2006 Picaza D15/144.2
D515,890 S * 2/2006 Kensrue D8/30
D516,883 S * 3/2006 Popov D8/29.1
D519,800 S * 5/2006 Glover D8/29.1
D576,458 S * 9/2008 Arns D8/30
D578,849 S * 10/2008 Whited D8/30
D583,639 S * 12/2008 Axinte D8/14.1
D587,975 S * 3/2009 Aronson, II D15/144
D590,674 S * 4/2009 Belanger D8/30
D594,300 S * 6/2009 Picaza Ibarondo D8/29.1
D642,889 S * 8/2011 Boehm D8/107
D667,993 S * 9/2012 Lin D27/139
D667,994 S * 9/2012 Lin D27/139
D683,372 S * 5/2013 Boyer D15/144

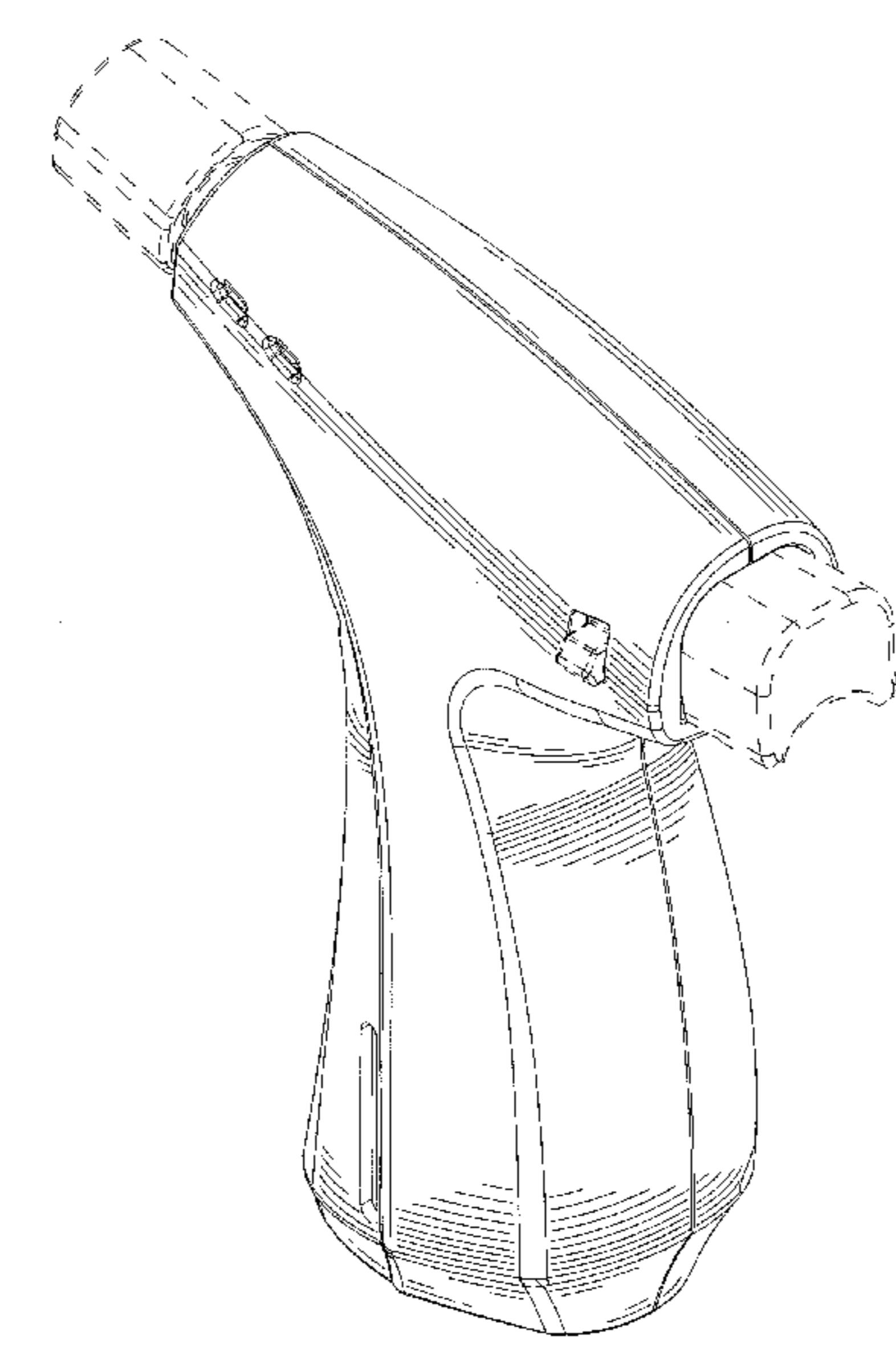
(Continued)

Primary Examiner — Melanie H Tung
Assistant Examiner — Fritzgerland L Butac
(74) *Attorney, Agent, or Firm* — Alan D. Kamrath;
Kamrath IP Lawfirm, P.A.

(57) **CLAIM**
The ornamental design for a torch, as shown and described.

DESCRIPTION
FIG. 1 is a perspective view of a torch showing my new design;
FIG. 2 is a front view thereof;
FIG. 3 is a rear view thereof;
FIG. 4 is a left view thereof;
FIG. 5 is a right view thereof;
FIG. 6 is a top view thereof; and,
FIG. 7 is a bottom view.
The broken lines depict portions of the torch in which the design is embodied that are not considered part of the claimed design.

1 Claim, 7 Drawing Sheets



(56)

References Cited

U.S. PATENT DOCUMENTS

D683,773 S * 6/2013 Boyer D15/144
 D683,774 S * 6/2013 Leiteritz D15/144.2
 D696,922 S * 1/2014 Cubillo D8/303
 D698,378 S * 1/2014 Leiteritz D15/144.2
 D709,745 S * 7/2014 Radwill D8/29.1
 D710,165 S * 8/2014 Radwill D8/29.1
 D716,767 S * 11/2014 Lee D14/218
 D742,189 S * 11/2015 Sandelin D8/107
 D742,708 S * 11/2015 Howell D8/29.1
 D743,765 S * 11/2015 Chen D8/29.1
 9,182,144 B2 * 11/2015 Chen F24H 3/02
 D746,653 S * 1/2016 Furling D8/29.1
 D748,444 S * 2/2016 Huang D8/30
 D754,512 S * 4/2016 Nelson D8/83
 D763,393 S * 8/2016 Freed D22/108
 D765,482 S * 9/2016 Kita D8/30
 9,557,051 B2 * 1/2017 Chen F23C 7/002

D778,439 S * 2/2017 Hakansson D24/133
 D784,105 S * 4/2017 Nelson D8/83
 D784,537 S * 4/2017 Houssiere D24/146
 D784,780 S * 4/2017 Jenkins D8/1
 9,612,012 B2 * 4/2017 Yang F23D 14/28
 D787,913 S * 5/2017 Robinson D8/308
 9,726,368 B2 * 8/2017 Chen F23C 7/002
 9,822,971 B2 * 11/2017 Lee F23D 14/28
 D805,567 S * 12/2017 Kita D15/144.2
 D806,152 S * 12/2017 Whited D15/144.2
 D809,343 S * 2/2018 Kotani D7/416
 D813,627 S * 3/2018 Tsai D8/30
 D814,262 S * 4/2018 Khubani D8/68
 D819,638 S * 6/2018 Lo D14/388
 D820,057 S * 6/2018 Tsai D8/30
 D820,263 S * 6/2018 Rebello D14/426
 D820,331 S * 6/2018 Walters D15/144
 D821,170 S * 6/2018 Huang D8/30
 D824,130 S * 7/2018 Vosbikian D32/52
 D824,626 S * 7/2018 Vosbikian D32/52

* cited by examiner

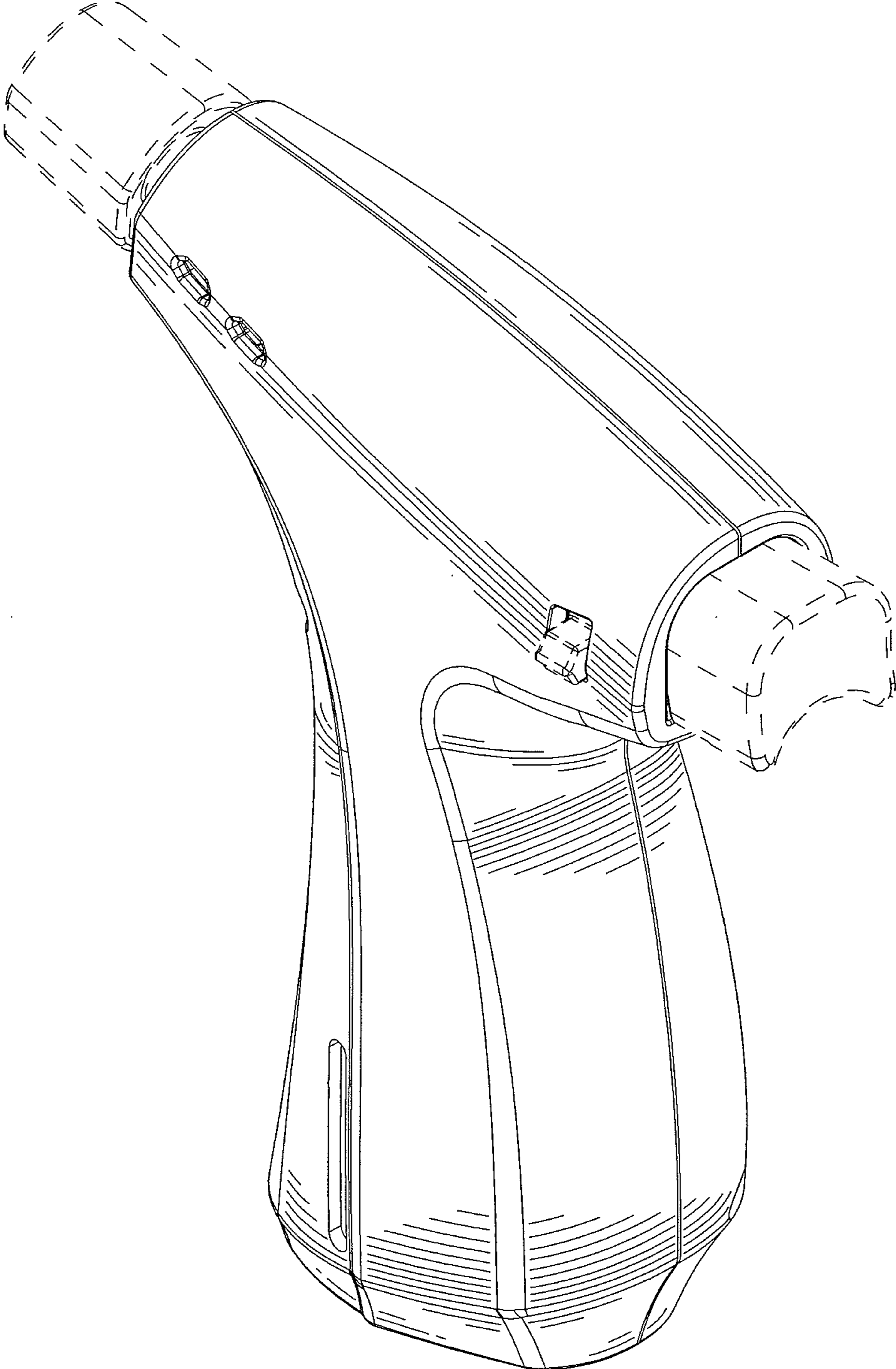


FIG. 1

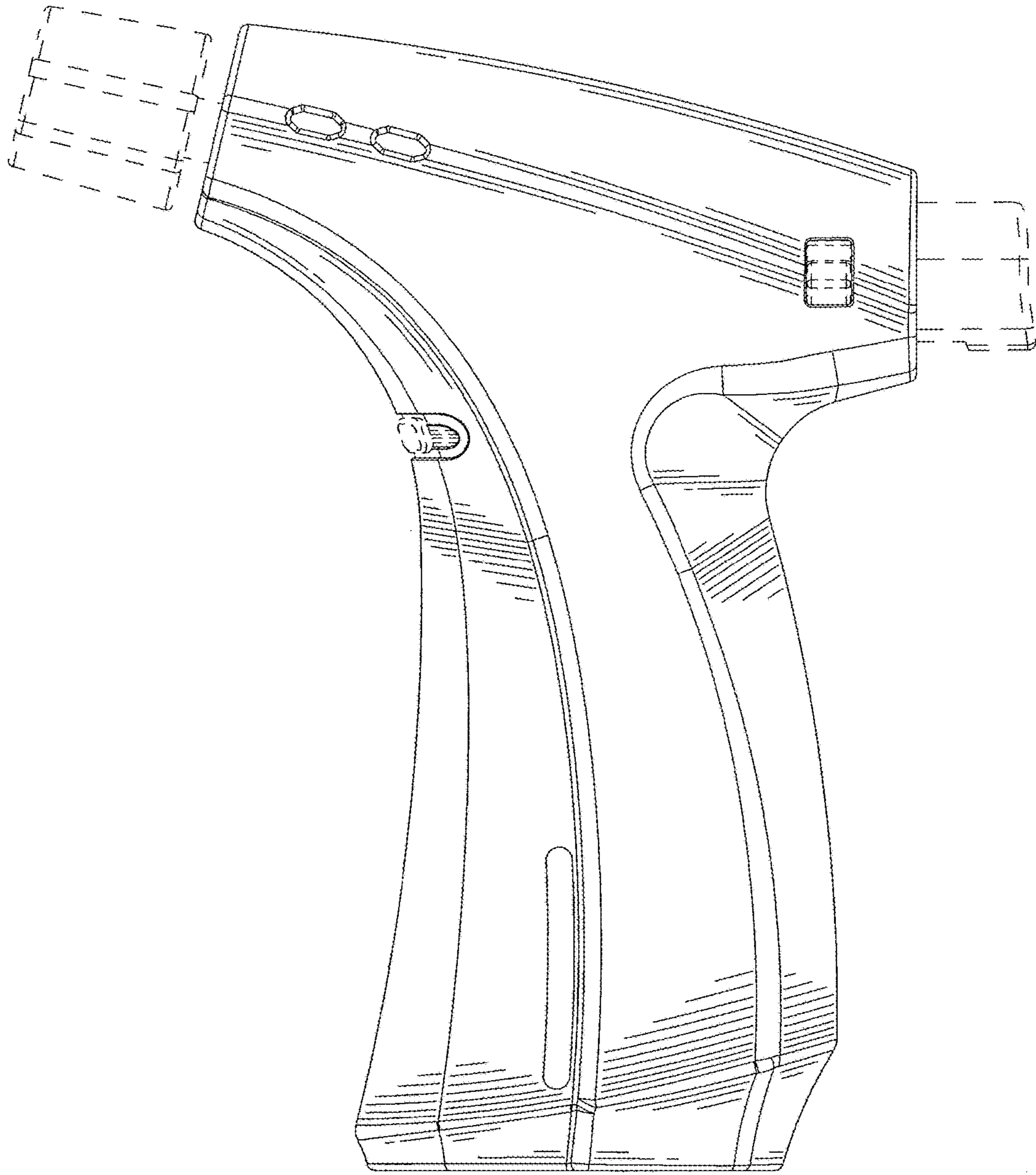


FIG. 2

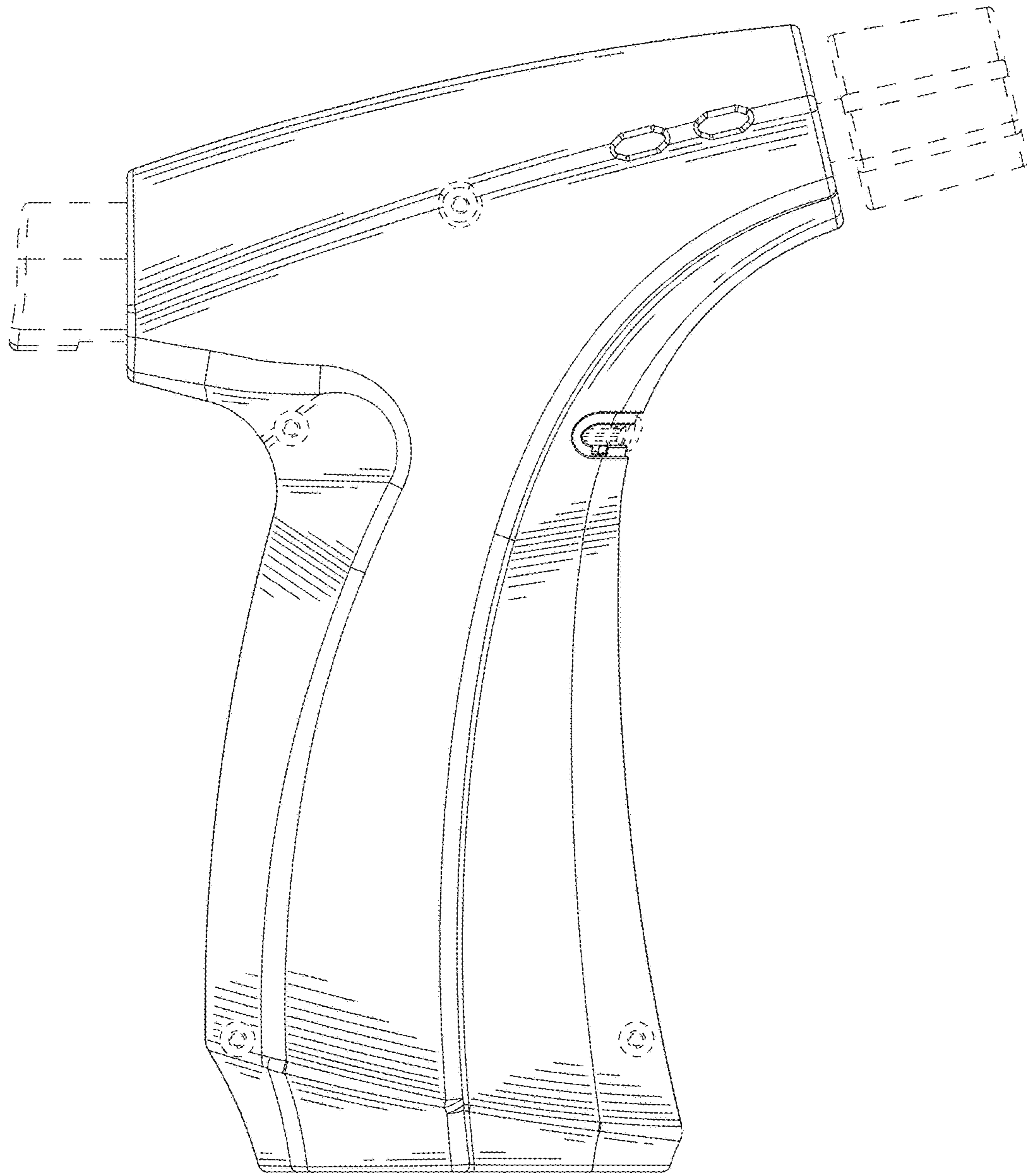


FIG. 3

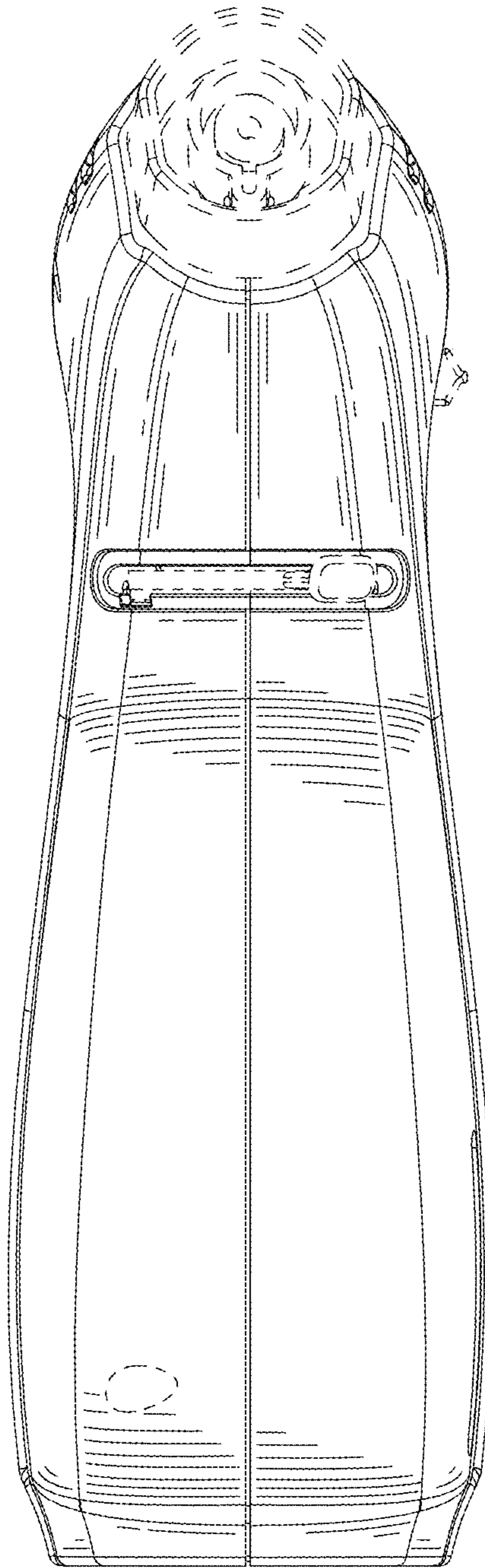


FIG. 4

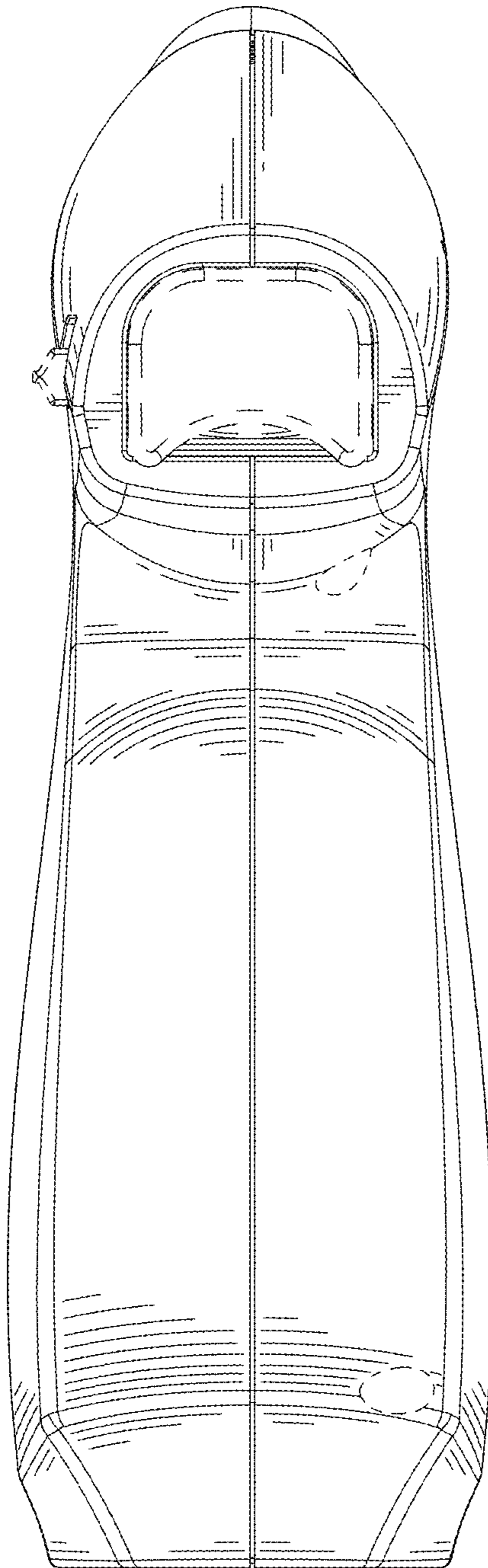


FIG. 5

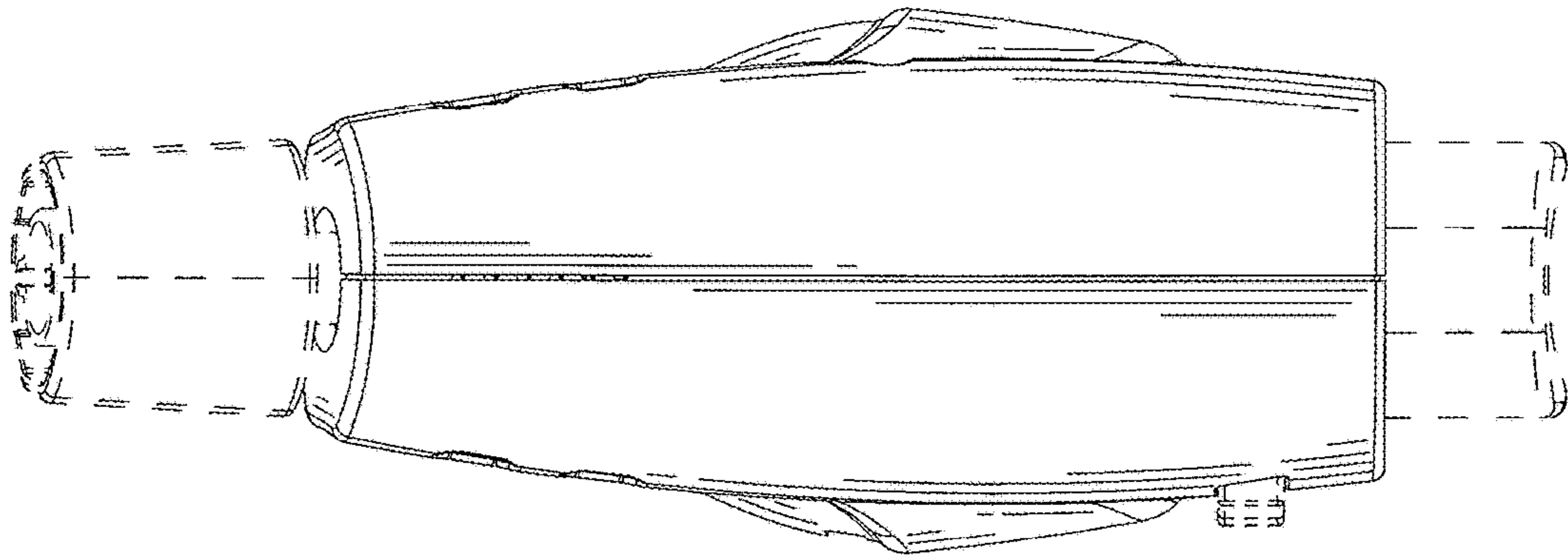


FIG. 6

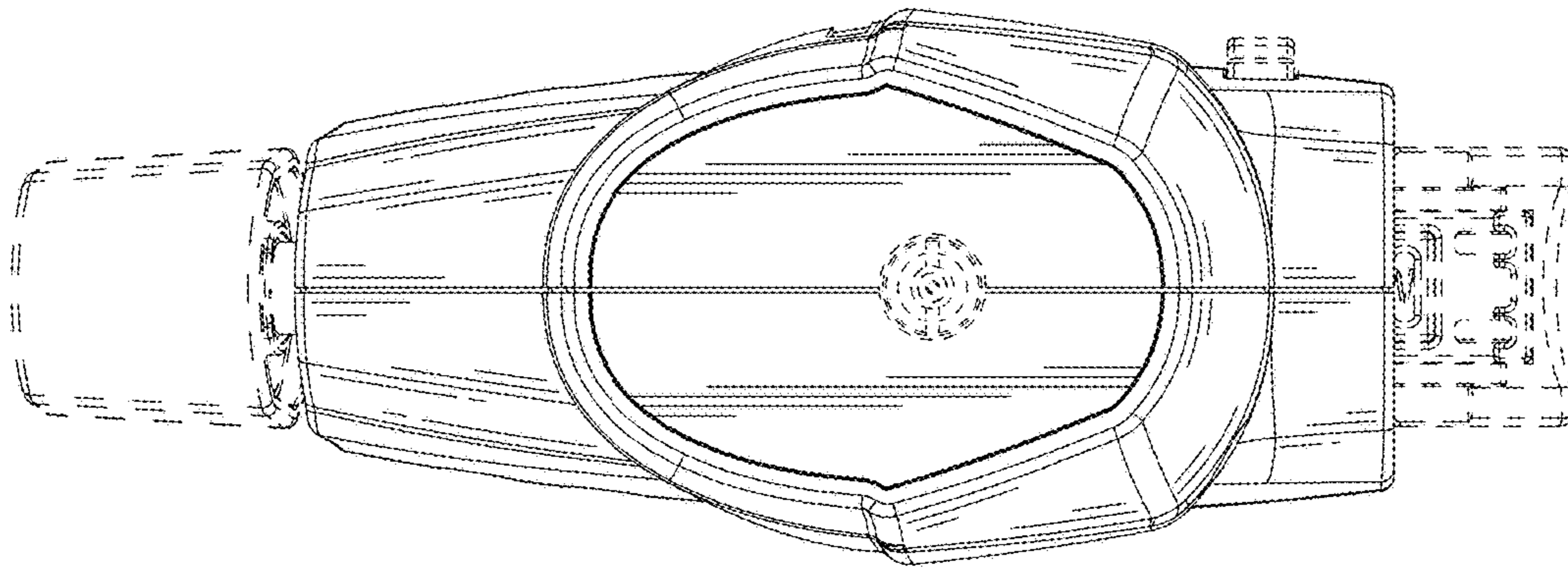


FIG. 7