



US00D844402S

(12) **United States Design Patent** (10) **Patent No.:** **US D844,402 S**  
**Evans** (45) **Date of Patent:** **\*\* Apr. 2, 2019**

(54) <b>CUTTING BOARDS</b>	4,133,238 A * 1/1979 Jacobs ..... B26B 29/063 83/466.1
(71) Applicant: <b>JOSEPH JOSEPH LTD.</b> , London (GB)	D321,799 S * 11/1991 Marvy ..... 248/167 D573,196 S * 7/2008 Johnson-Hunt ..... D19/90 8,136,806 B2 * 3/2012 Hsu ..... A47J 47/16 269/289 R
(72) Inventor: <b>Damian Evans</b> , Brighton (GB)	D665,635 S * 8/2012 Evans ..... D7/698
(73) Assignee: <b>Joseph Joseph Ltd.</b> , London (GB)	D682,633 S * 5/2013 Evans ..... D7/698 D686,047 S * 7/2013 Oh ..... D7/698 D699,505 S * 2/2014 Kadva ..... D7/354
(**) Term: <b>15 Years</b>	D757,506 S * 5/2016 Evans ..... D7/698 D758,821 S * 6/2016 Kidd ..... D8/93 D792,175 S * 7/2017 Evans ..... D19/99

(21) Appl. No.: **29/639,594**

(22) Filed: **Mar. 7, 2018**

(30) **Foreign Application Priority Data**

Sep. 7, 2017 (EM) ..... 004246585-0010

(51) **LOC (11) Cl.** ..... **07-04**

(52) **U.S. Cl.**  
USPC ..... **D7/698**

(58) **Field of Classification Search**

USPC .... D6/682.3; D7/359, 543, 549, 550.1, 586,  
D7/673, 698-699; D8/93; D19/90;  
D32/55-57

CPC ..... A47J 47/00; A47J 47/005; A47J 47/16;  
A47J 47/20; B26D 7/0006; B26D 7/018;  
B26D 7/20; B23D 21/00; B23K 37/04;  
B23K 37/053; B23Q 16/001; B25H 1/00;  
B26B 29/063; B42F 17/00; B42F 19/00;  
G03B 21/58

See application file for complete search history.

(56) **References Cited**

**U.S. PATENT DOCUMENTS**

1,864,077 A \* 6/1932 Lewis ..... G03B 21/58  
160/351

D165,318 S \* 12/1951 Anheuser ..... D8/93

\* cited by examiner

*Primary Examiner* — Ricky Pham

(74) *Attorney, Agent, or Firm* — Millen, White, Zelano & Branigan, PC

(57) **CLAIM**

The ornamental design for a cutting boards, as shown and described.

**DESCRIPTION**

FIG. 1 is a top perspective view of the cutting boards showing my new design.

FIG. 2 is a side view thereof.

FIG. 3 is another side view thereof.

FIG. 4 is another side view thereof.

FIG. 5 is another side view thereof.

FIG. 6 is a top view thereof.

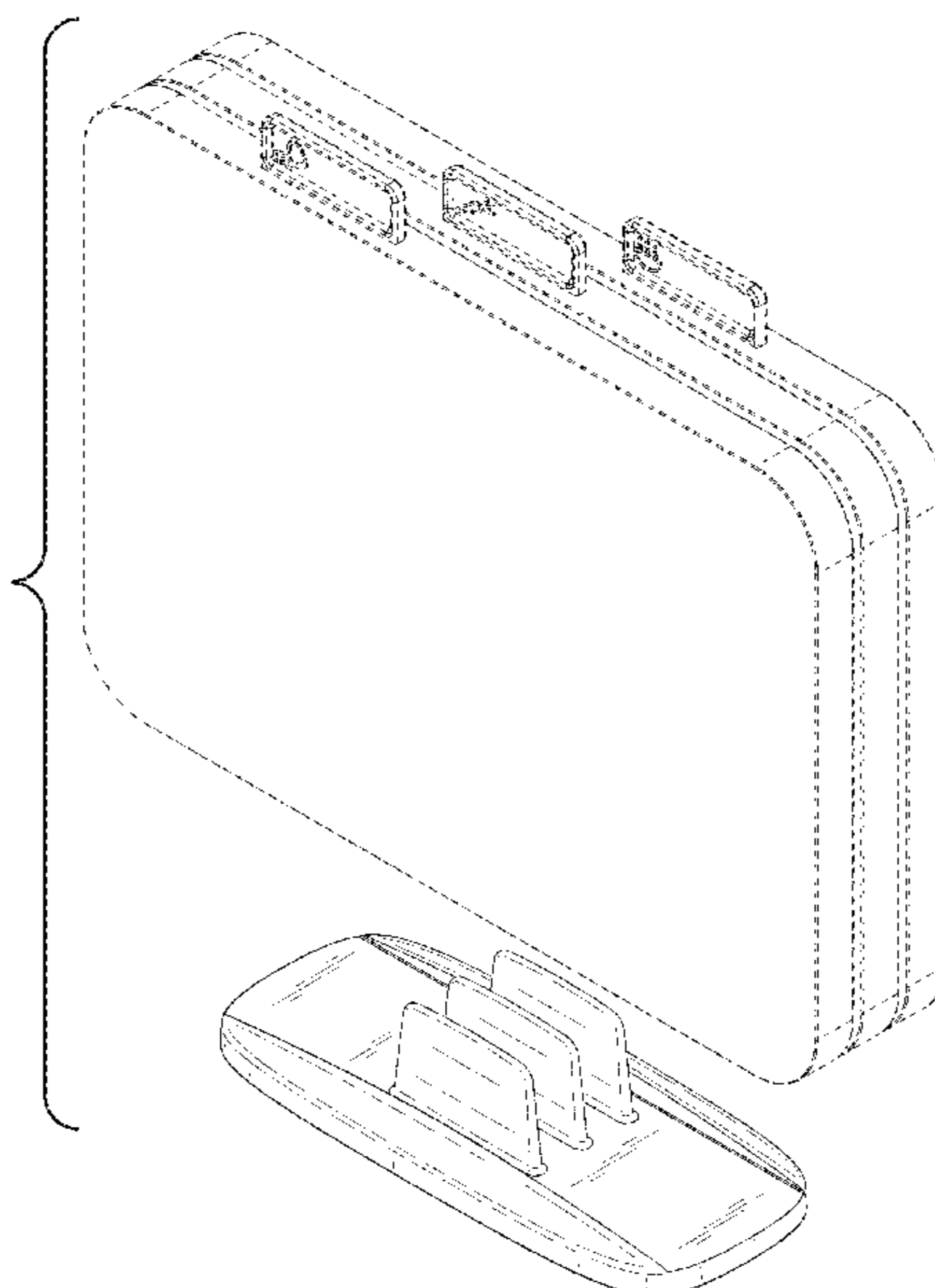
FIG. 7 is bottom view thereof.

FIG. 8 is an exploded top perspective view thereof; and,

FIG. 9 is an exploded bottom perspective view thereof.

The broken lines in the drawings illustrate portions of the cutting boards which form no part of the claimed design.

**1 Claim, 9 Drawing Sheets**



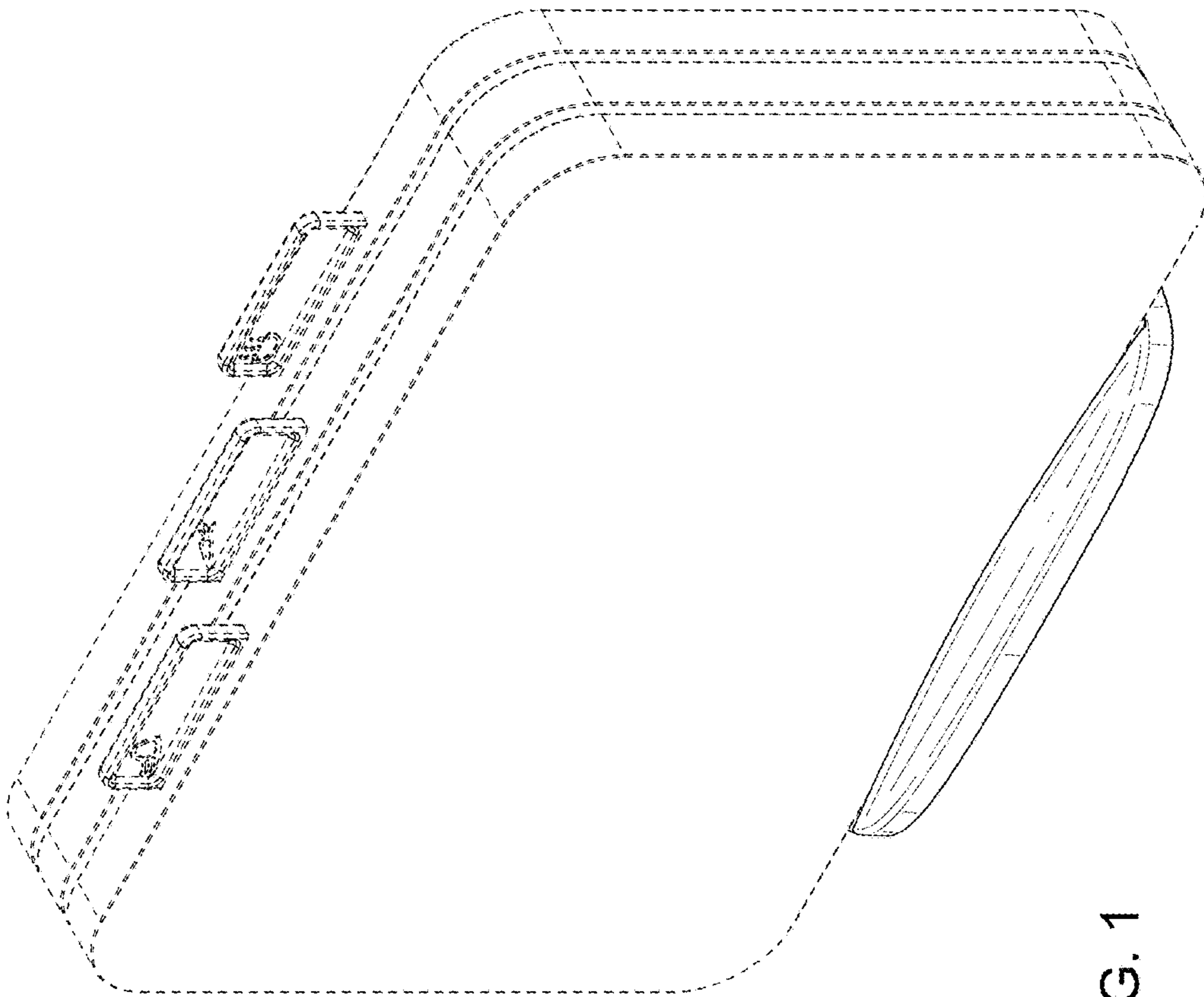


FIG. 1

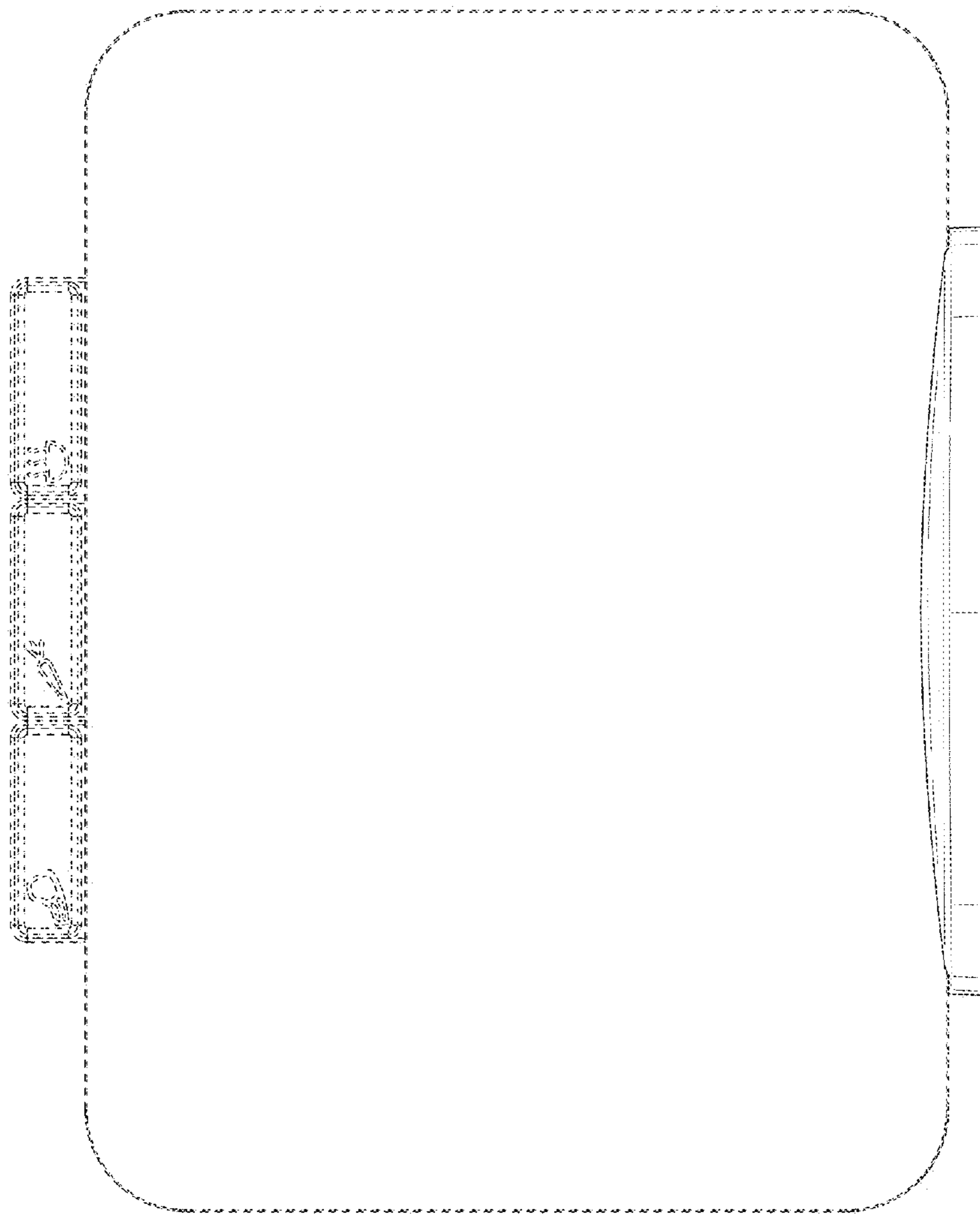


FIG. 2

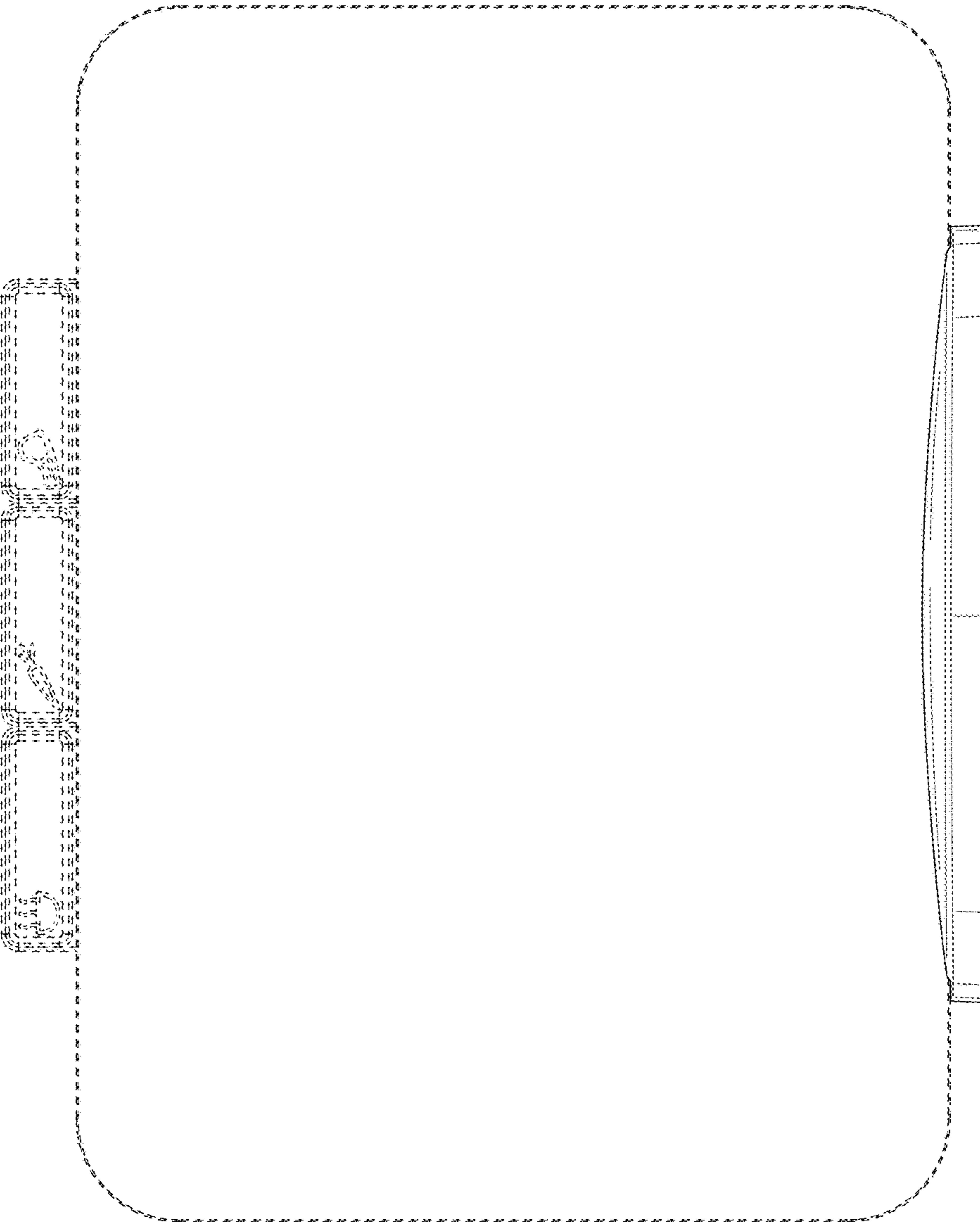


FIG. 3

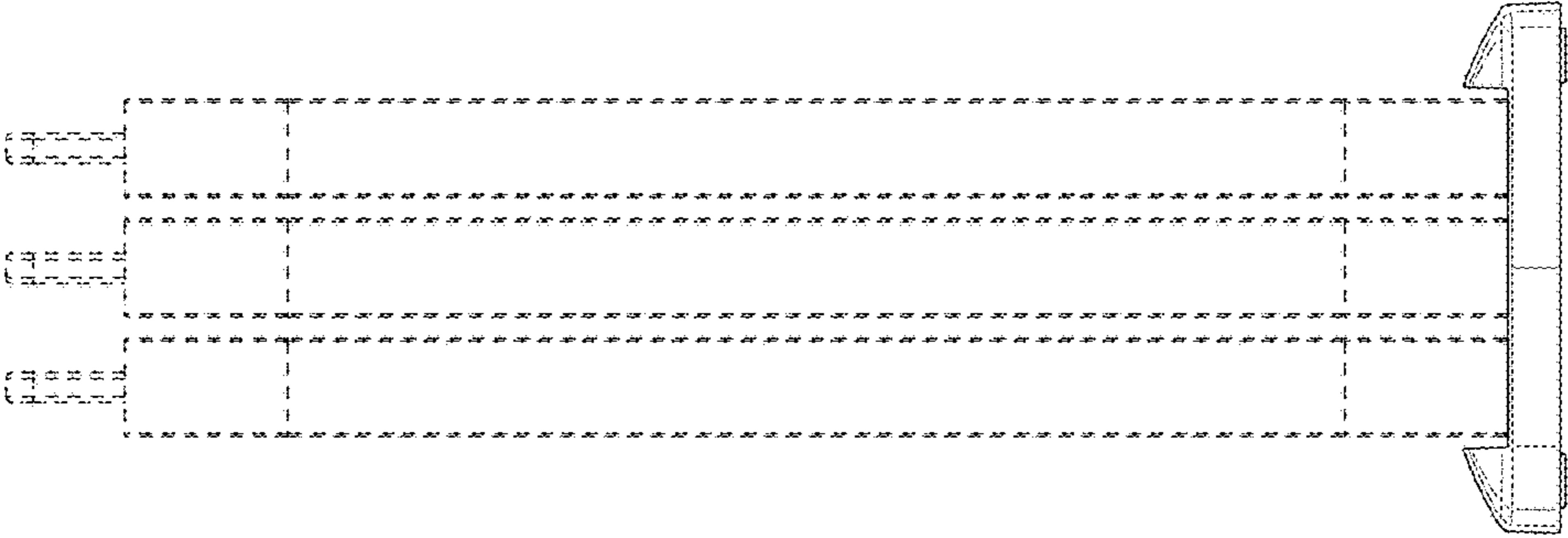


FIG. 4

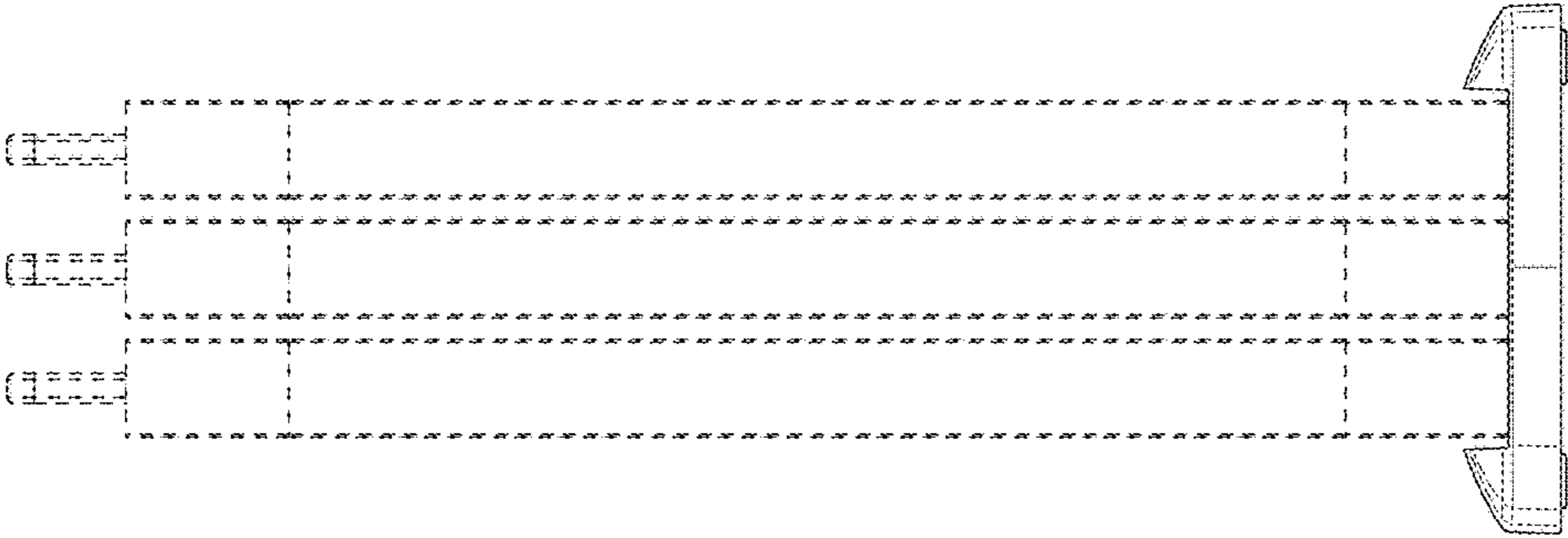


FIG. 5

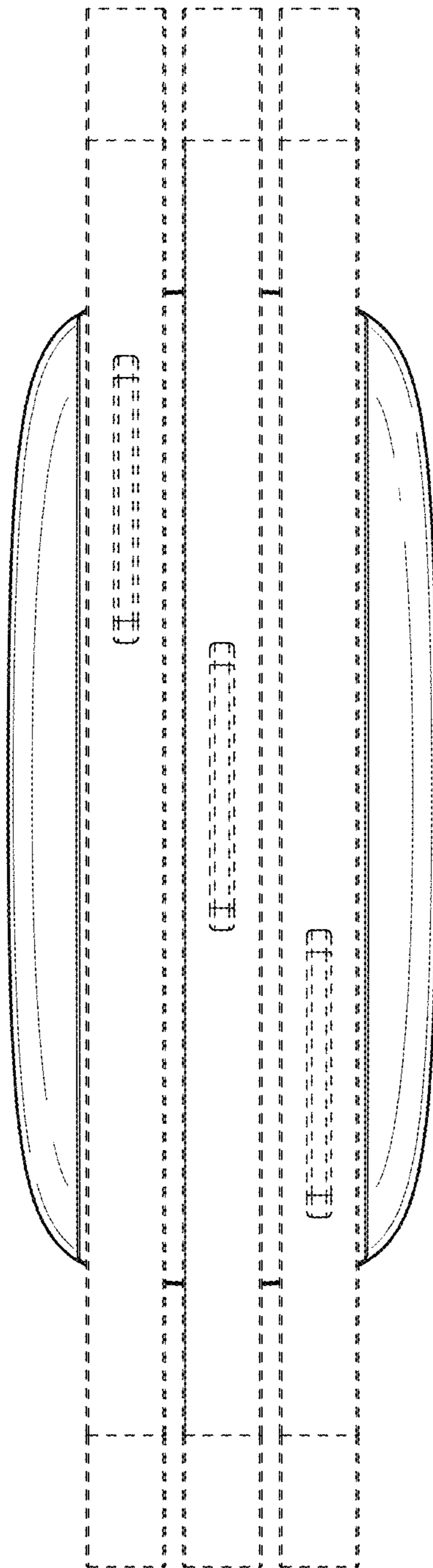


FIG. 6

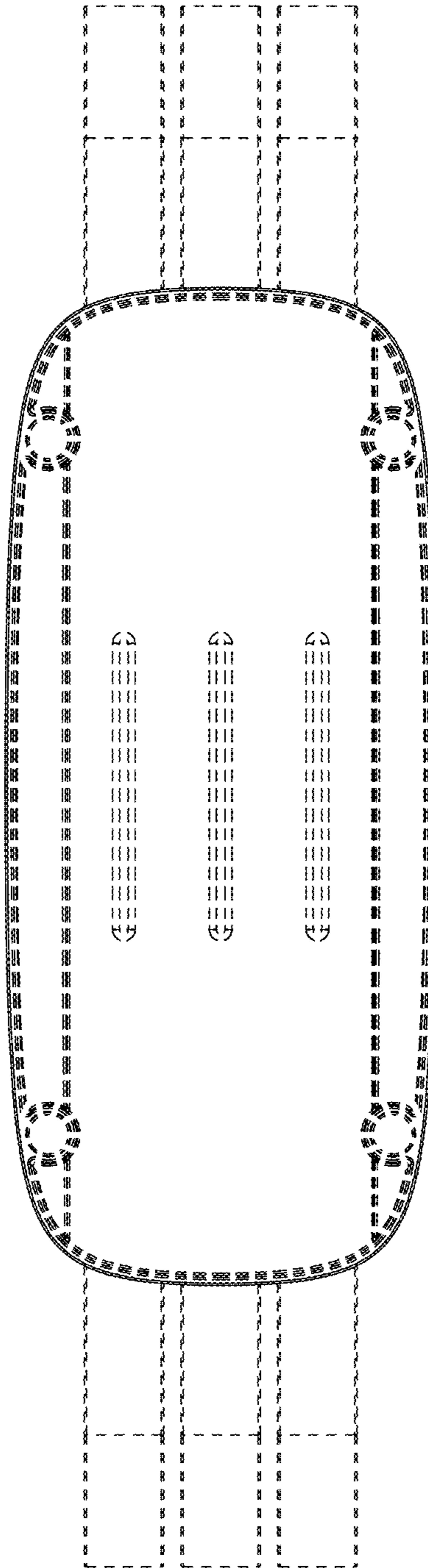


FIG. 7



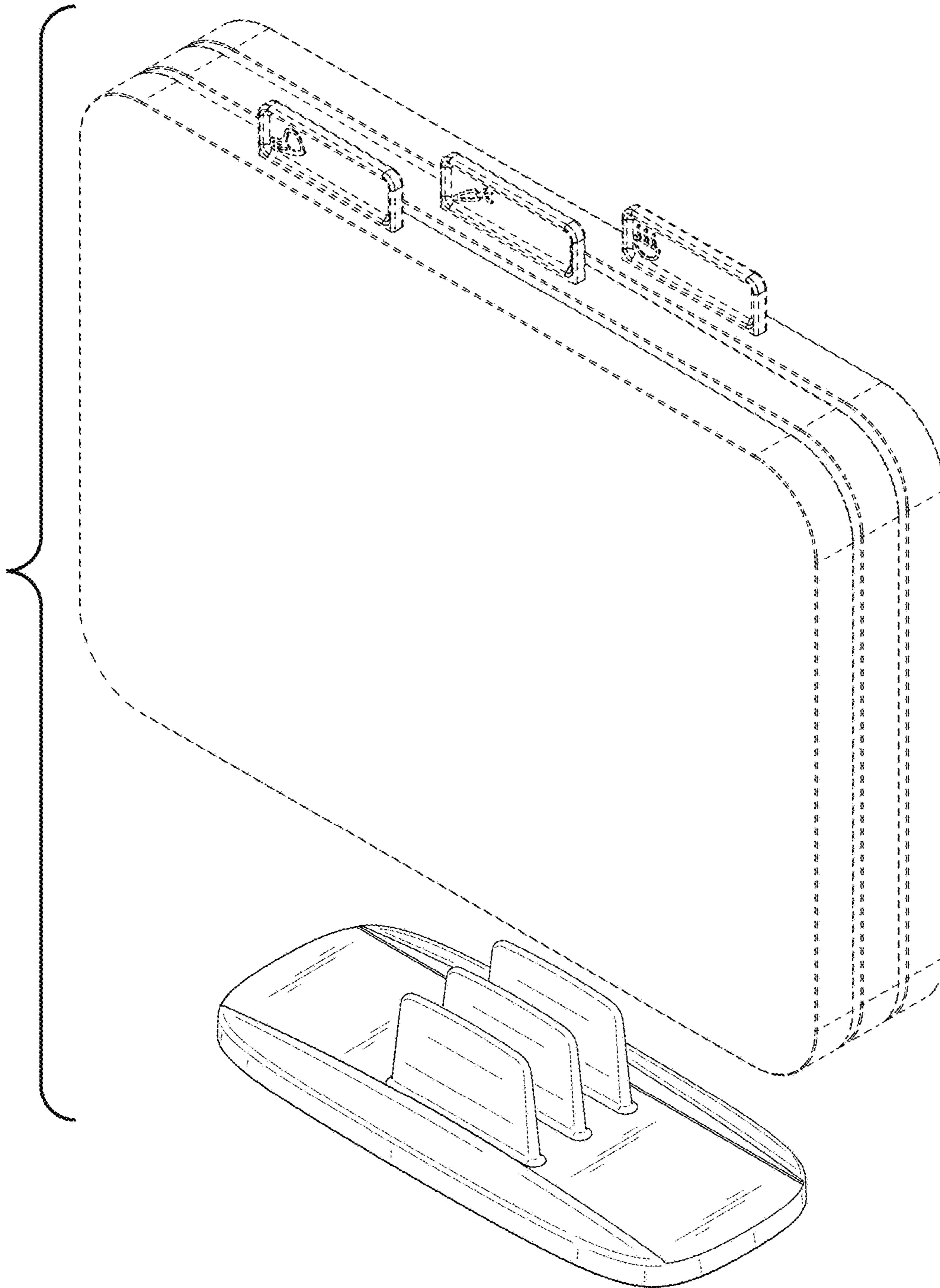


FIG. 8

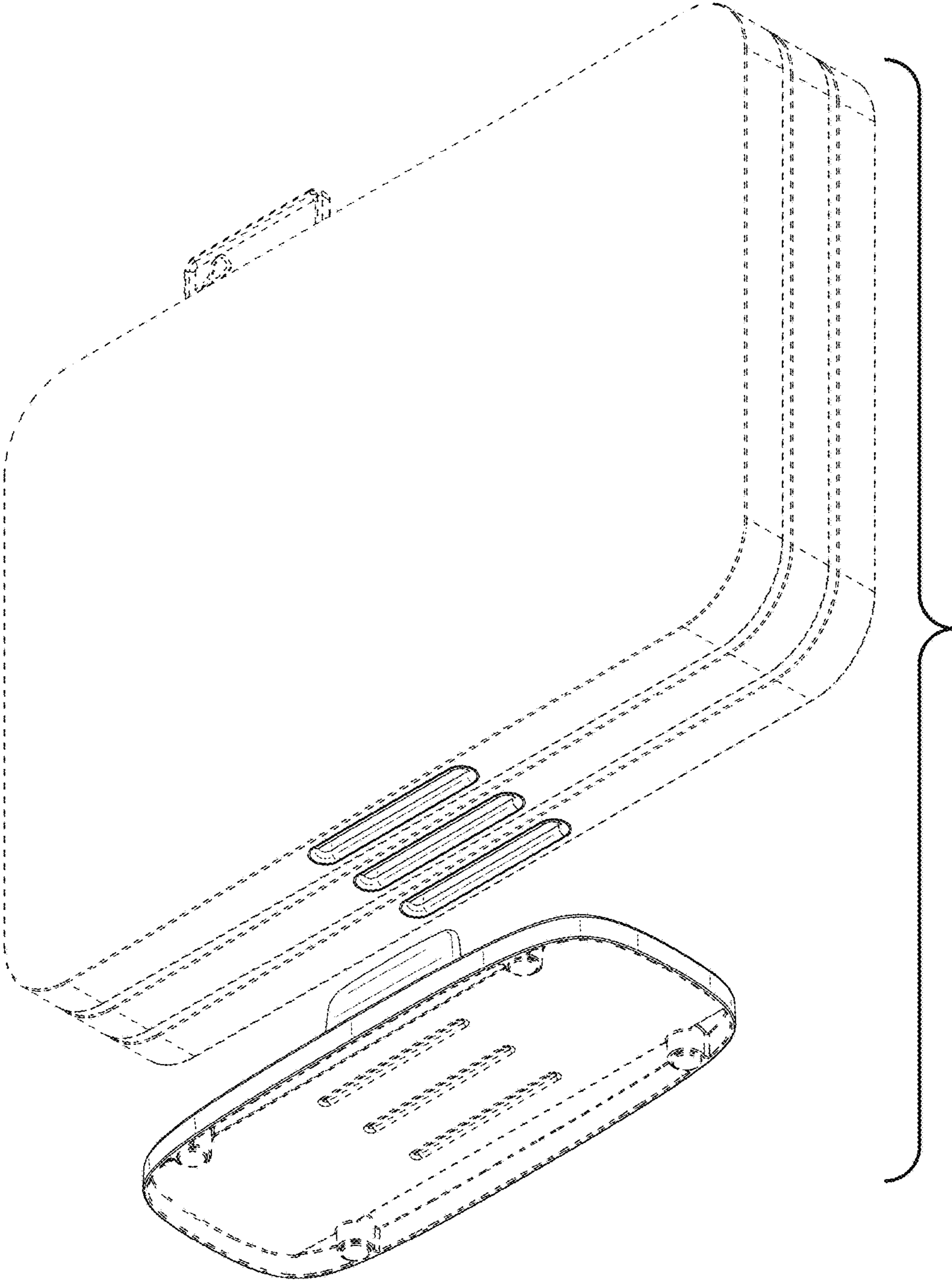


FIG. 9