



US00D844399S

(12) **United States Design Patent** (10) **Patent No.:** **US D844,399 S**  
**Lawson** (45) **Date of Patent:** **\*\* Apr. 2, 2019**

(54) **GRAVY UTENSIL**

(71) Applicant: **Denise N. Lawson**, Farmington, MO (US)

(72) Inventor: **Denise N. Lawson**, Farmington, MO (US)

(\*\*) Term: **15 Years**

(21) Appl. No.: **29/624,515**

(22) Filed: **Nov. 1, 2017**

(51) **LOC (11) Cl.** ..... **07-04**

(52) **U.S. Cl.**  
USPC ..... **D7/692**; D7/682

(58) **Field of Classification Search**  
USPC ..... D7/680-696, 393, 395, 669, 368  
CPC ..... A47J 19/00; A47J 19/04; A47J 43/288;  
A47J 43/283; A47J 43/281; A47J 43/284;  
A47G 21/04; B02C 4/42  
See application file for complete search history.

2,589,753 A	3/1952	Vinson	
3,224,091 A	12/1965	Scigliano	
D244,903 S	7/1977	Hildebrand	
D255,636 S *	7/1980	Kelly	D7/682
D377,888 S	2/1997	Griffin	
D425,763 S *	5/2000	Begley	D7/682
D476,536 S *	7/2003	Levien	D7/682
D487,675 S *	3/2004	Overthun	D7/667
D534,043 S *	12/2006	Plunkett	D7/682
D542,593 S	5/2007	Stewart et al.	
D778,692 S	2/2017	Yamamoto	
D784,076 S	4/2017	Constantieux	
D785,414 S	5/2017	Carlson	
2003/0189346 A1	10/2003	Leydens et al.	
2007/0050986 A1	3/2007	Foster et al.	

\* cited by examiner

*Primary Examiner* — Terry A Wallace  
(74) *Attorney, Agent, or Firm* — Suzanne Kikel, Patent Agent

(57) **CLAIM**

The ornamental design for a gravy utensil, as shown and described.

**DESCRIPTION**

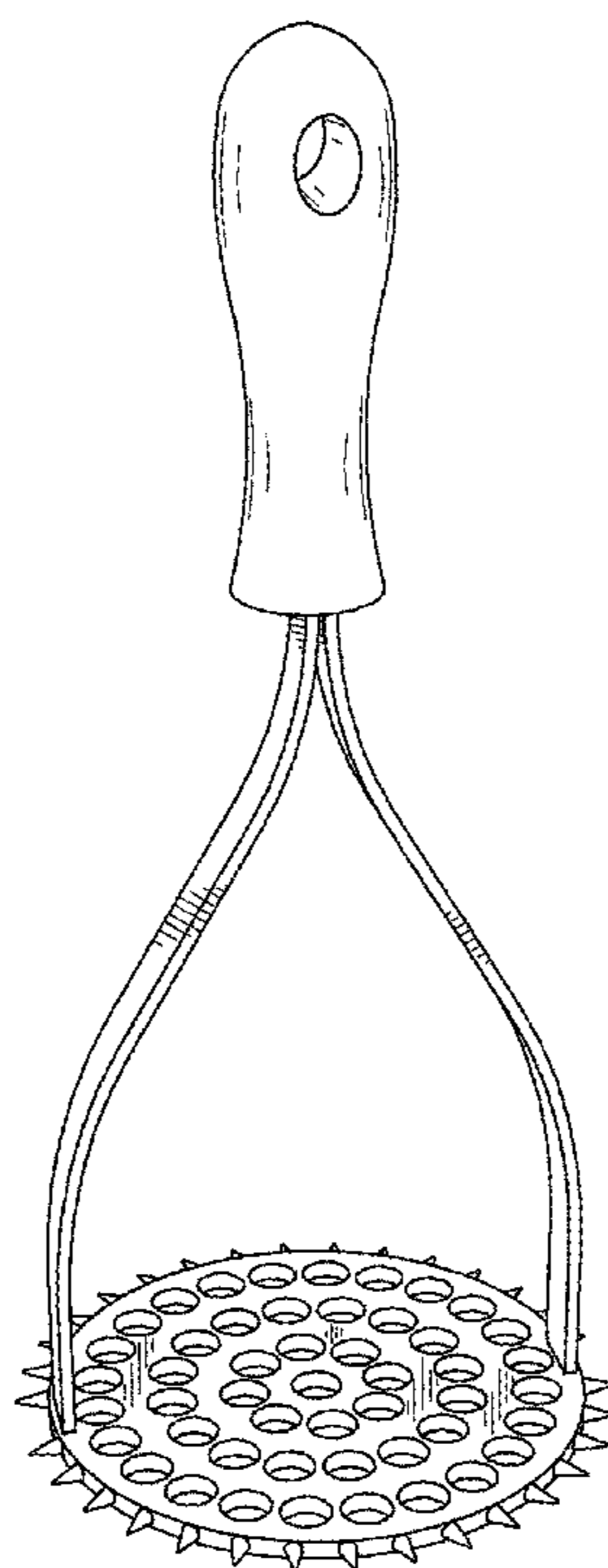
FIG. 1 is a front perspective view of a gravy utensil; FIG. 2 is a bottom perspective view thereof; FIG. 3 is a front elevational view thereof; FIG. 4 is a rear elevational view thereof; FIG. 5 is a left side view thereof; FIG. 6 is a right side view thereof; FIG. 7 is a bottom view thereof; and, FIG. 8 is a top view thereof.

**1 Claim, 7 Drawing Sheets**

(56) **References Cited**

U.S. PATENT DOCUMENTS

33,654 A *	11/1861	Lorton	A47J 19/04
			241/169.2
435,962 A *	9/1890	Bowe	B02C 4/42
			241/101.2
1,800,653 A *	4/1931	Morris	A47J 19/04
			241/169.2
D95,309 S	4/1935	Bennett	
2,559,186 A *	7/1951	Caylor	A47J 19/04
			241/169.2



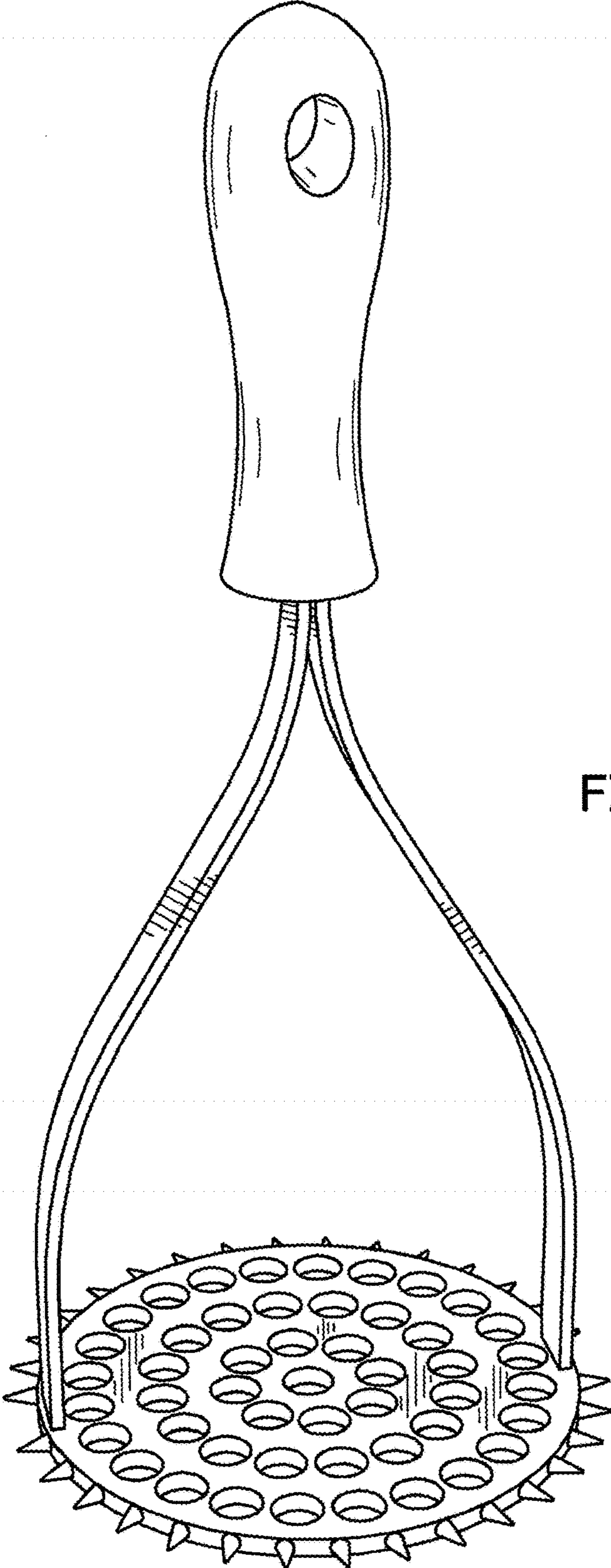


FIG. 1

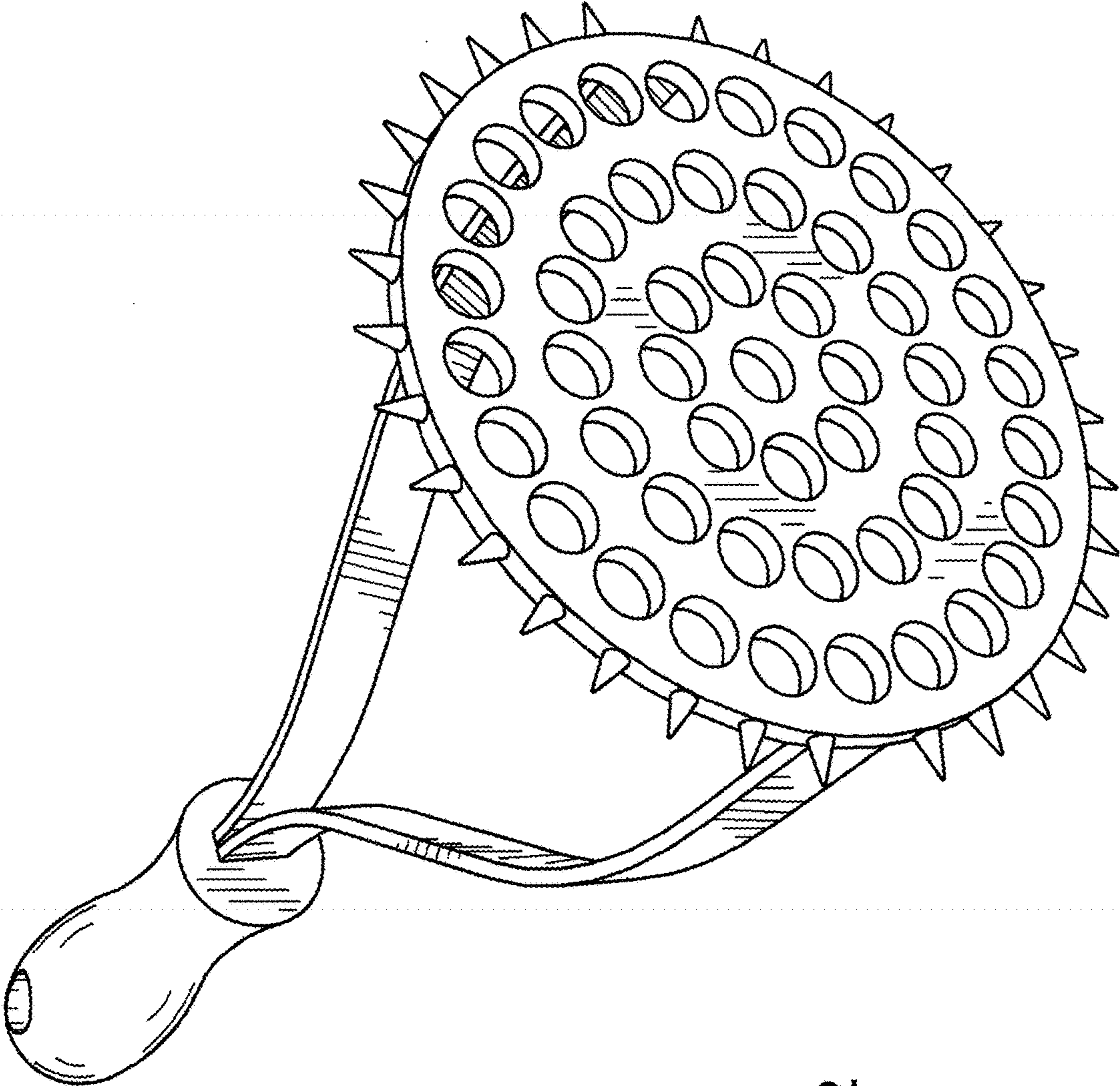


FIG. 2

FIG. 3

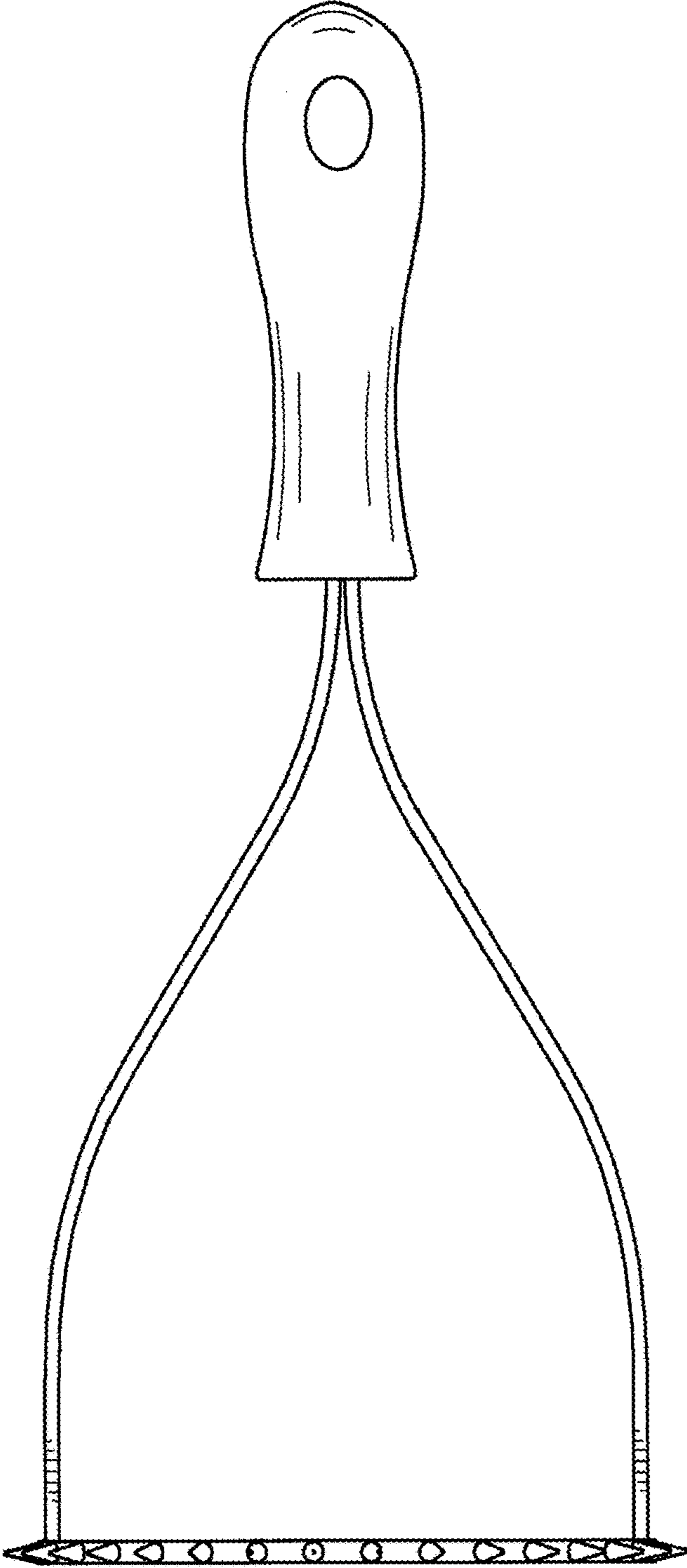


FIG. 4

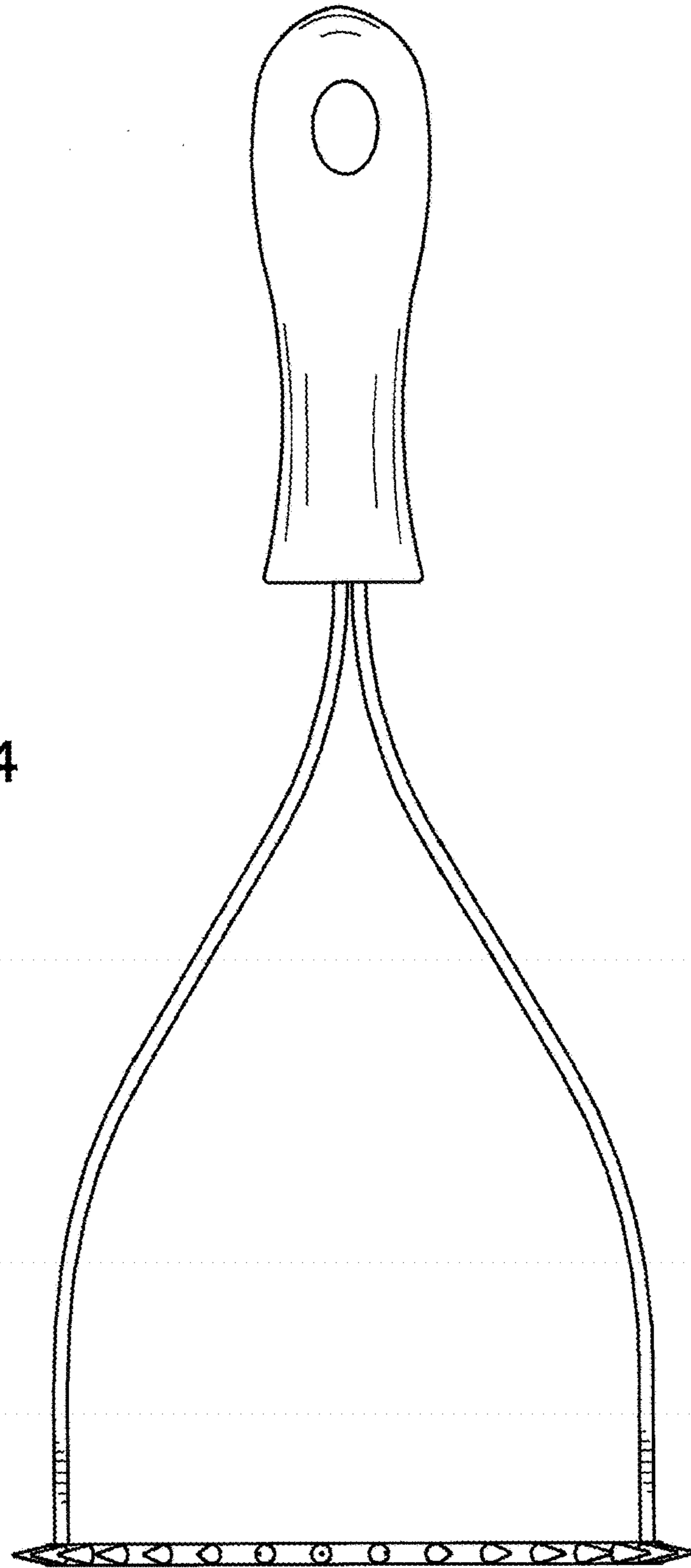




FIG. 5

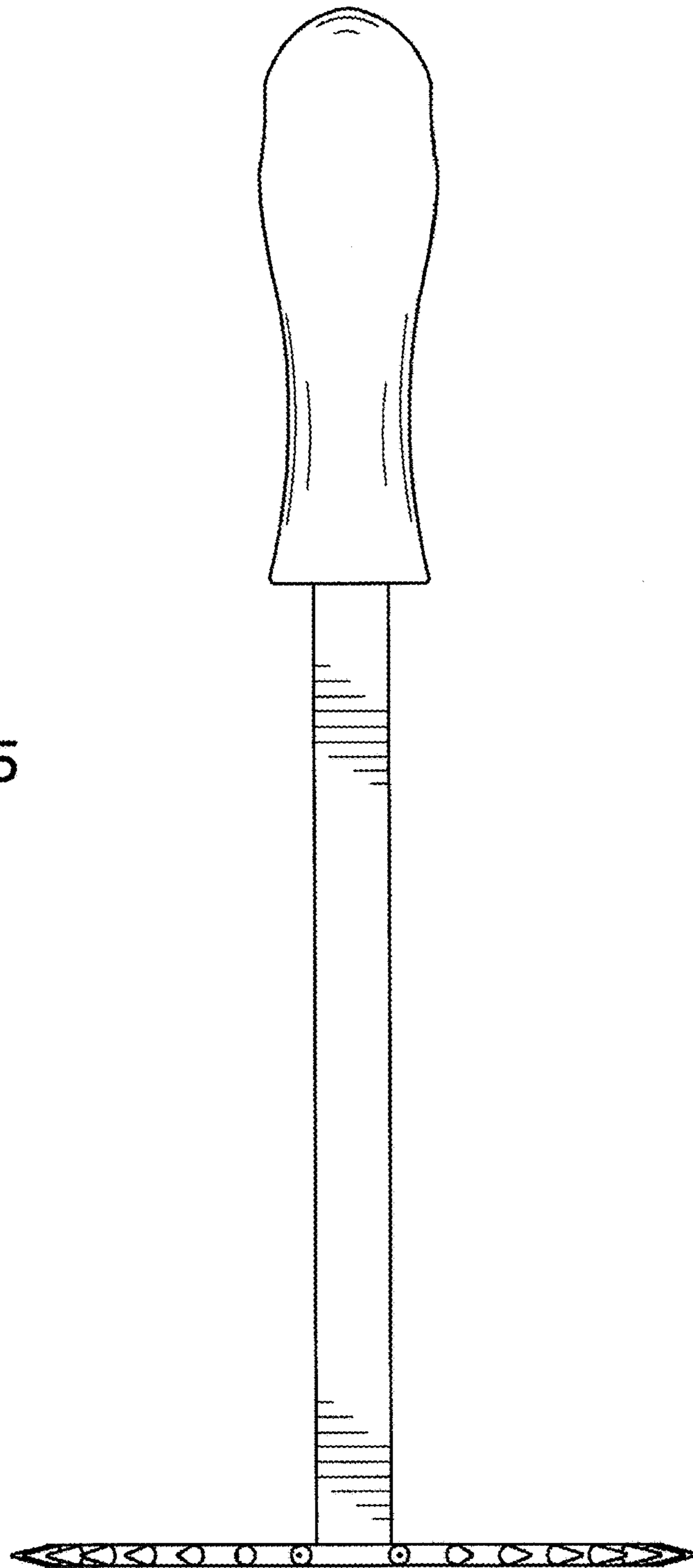
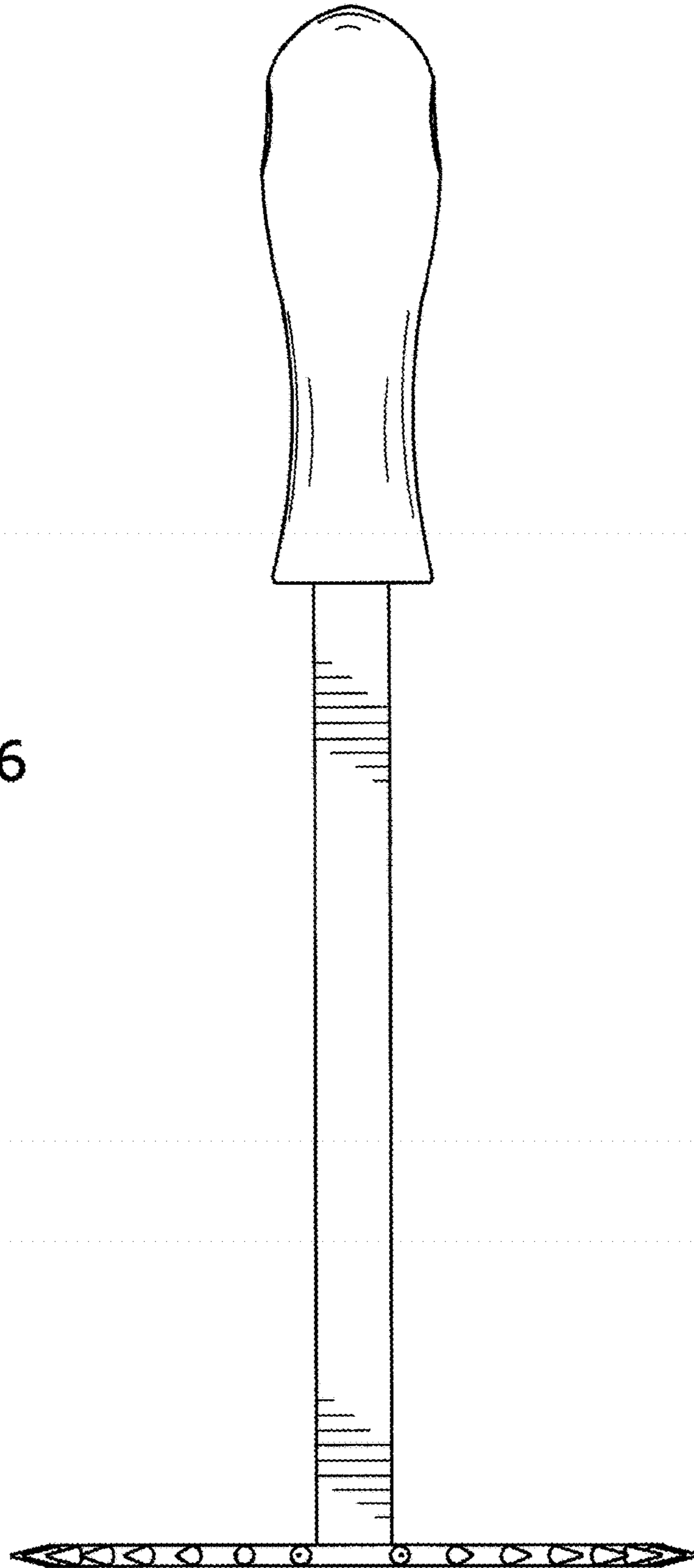


FIG. 6



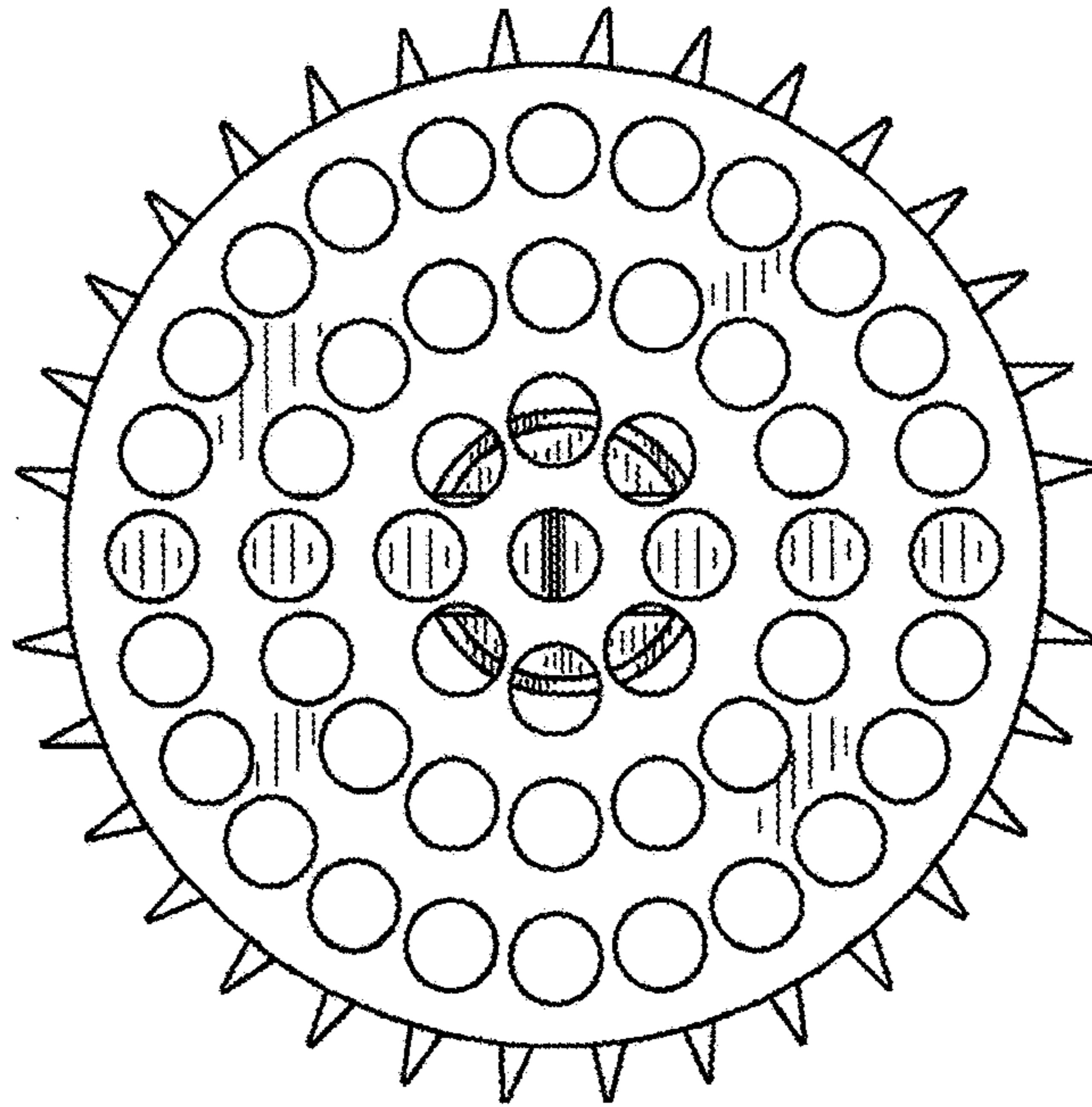


FIG. 7

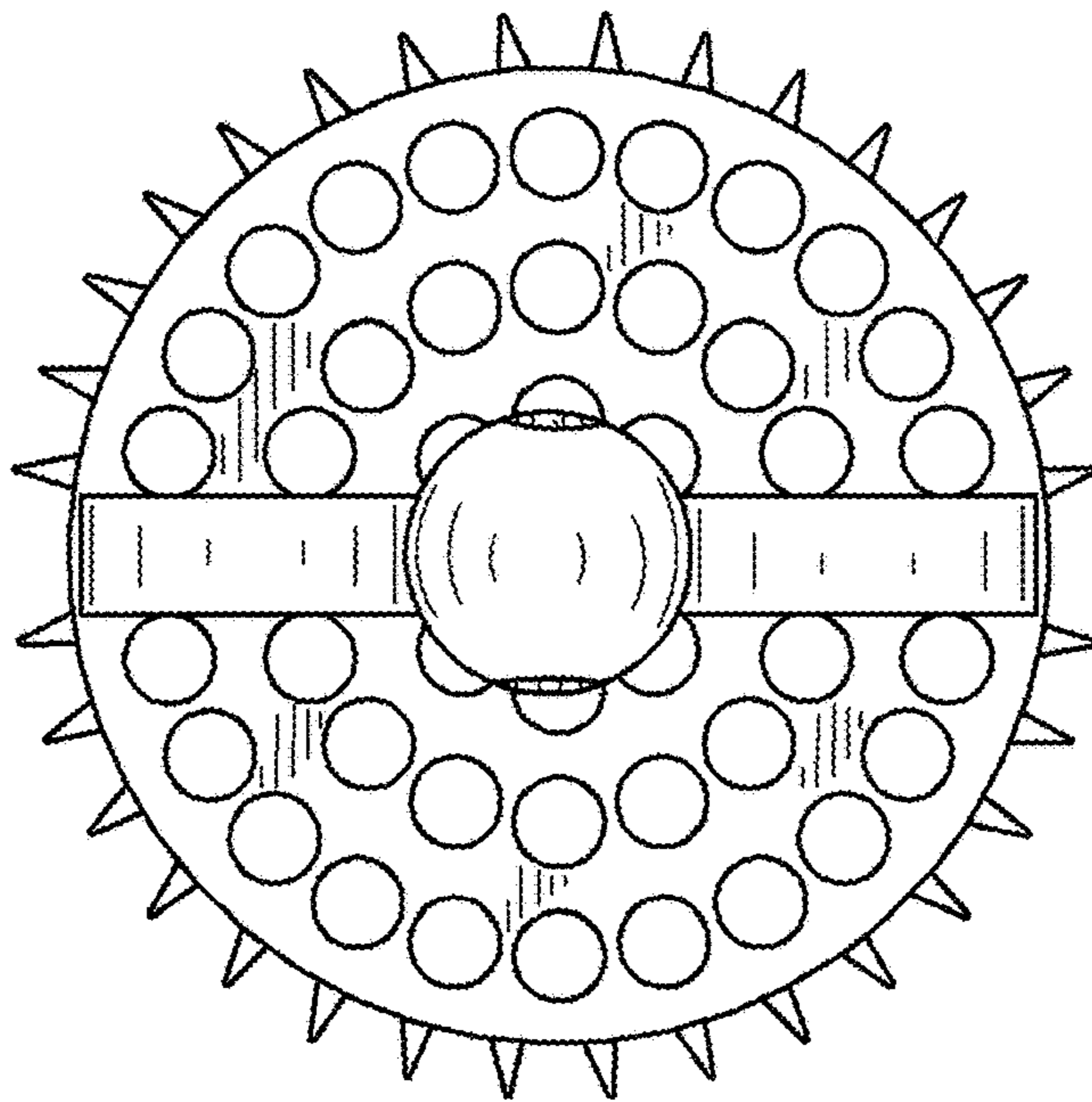


FIG. 8