



US00D844398S

(12) **United States Design Patent**
Goulet Dubois

(10) **Patent No.:** **US D844,398 S**

(45) **Date of Patent:** **** Apr. 2, 2019**

(54) **EGG MOLD**

(71) Applicant: **Lifetime Brands, Inc.**, Garden City, NY (US)

(72) Inventor: **Elizabeth Goulet Dubois**, Hope, RI (US)

(73) Assignee: **Lifetime Brands, Inc.**, Garden City, NY (US)

(**) Term: **15 Years**

(21) Appl. No.: **29/596,139**

(22) Filed: **Mar. 6, 2017**

(51) **LOC (11) Cl.** **07-04**

(52) **U.S. Cl.**
USPC **D7/676**

(58) **Field of Classification Search**
USPC D7/672-677, 354, 693-696, 678, 357
CPC .. A47J 43/00; A47J 43/25; A47J 25/00; A47J 43/20; A47J 29/00; B26D 2210/02; B26D 1/143; B26D 3/283; B26D 3/26; B26D 3/185; B26D 2003/288; B26D 2003/286; B26D 2003/285; B26D 2003/287; A23G 3/0034; A23G 3/0273; A23L 15/00

See application file for complete search history.

(56) **References Cited**

U.S. PATENT DOCUMENTS

D22,532 S * 6/1893 Pfenniger D7/673
D162,041 S * 2/1951 Klein D7/672
D224,928 S * 10/1972 Wiley D7/672
D257,202 S * 10/1980 Schessl D7/672

4,488,479 A * 12/1984 Sloan A47J 29/00
D7/357
D568,691 S * 5/2008 Ewald D7/611
D609,525 S * 2/2010 Rabanal D7/409
D621,668 S * 8/2010 Zemel D7/672
8,474,372 B2 * 7/2013 Stacey A47J 29/02
D7/357
8,661,969 B2 * 3/2014 Ewald A23L 15/00
294/26.5
D798,119 S * 9/2017 Locker D7/672
2004/0060457 A1 * 4/2004 Williams A47J 37/067
99/422
2009/0255413 A1 * 10/2009 Ewald A47J 43/20
99/426

* cited by examiner

Primary Examiner — Brett Miller

(74) *Attorney, Agent, or Firm* — Tutunjian & Bitetto, P.C.

(57) **CLAIM**

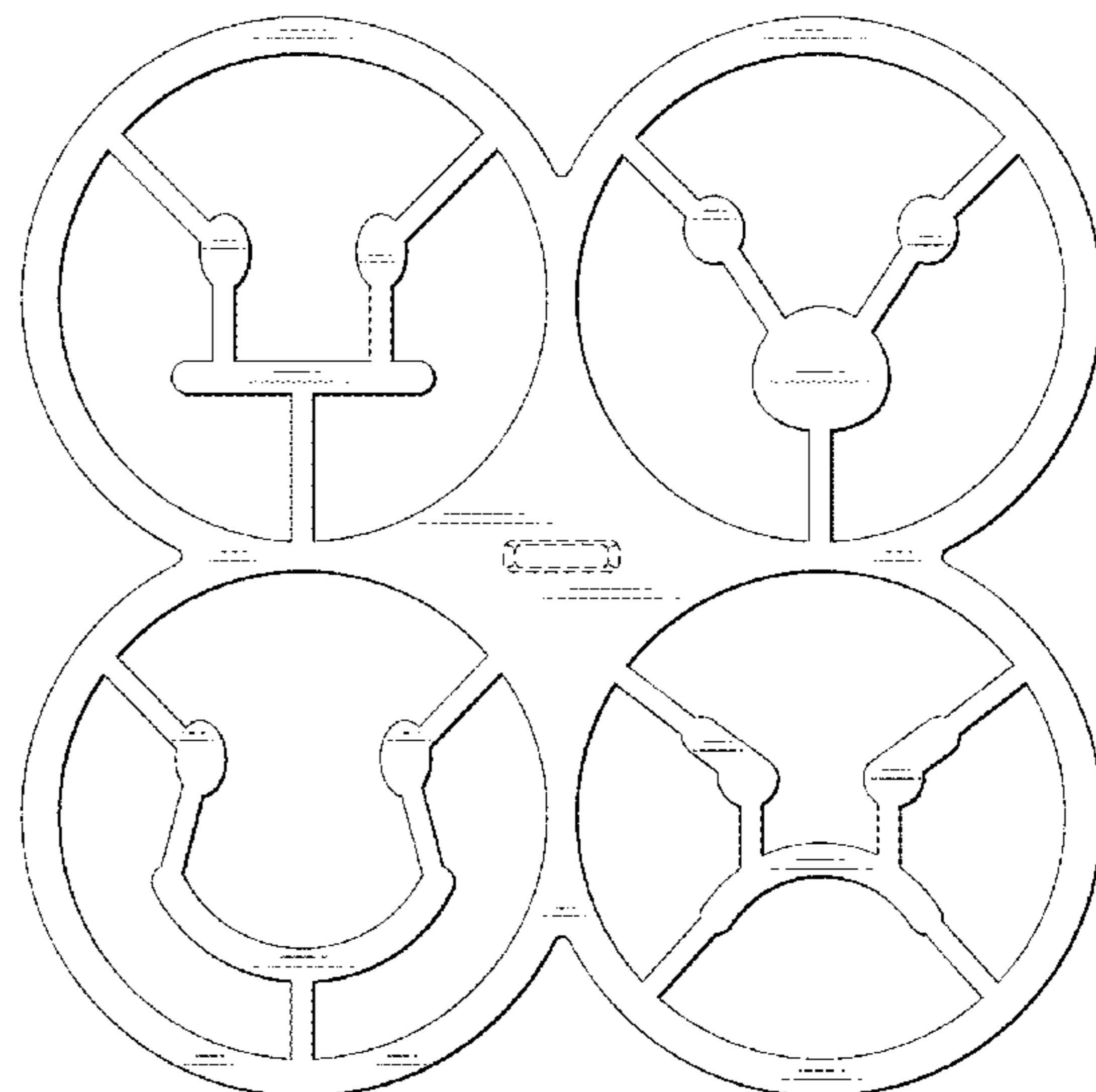
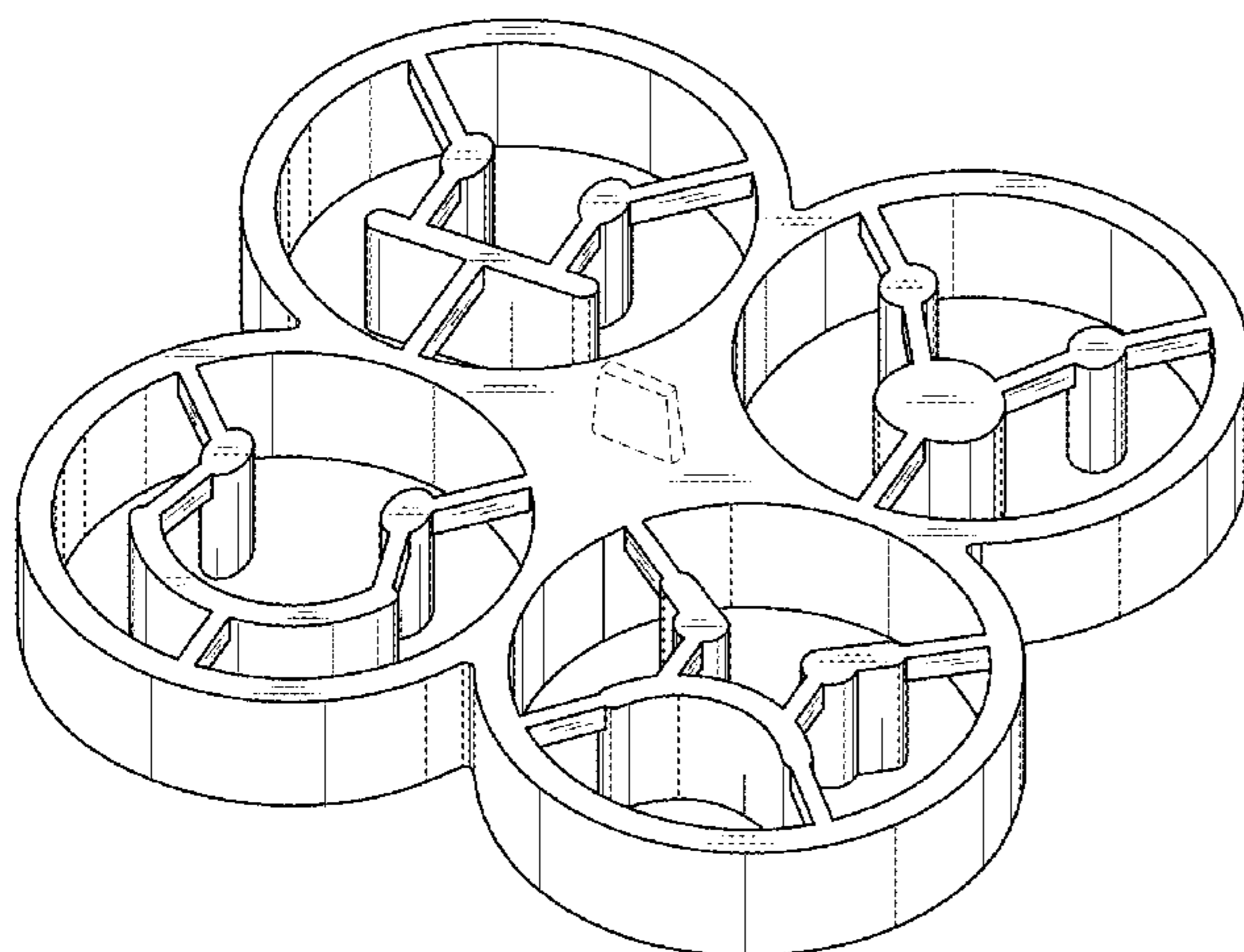
The ornamental design for an egg mold, as shown and described.

DESCRIPTION

FIG. 1 is a perspective view of the egg mold showing my new design;
FIG. 2 is a top view thereof;
FIG. 3 is a front view thereof, the rear view being identical to the front view;
FIG. 4 is a right side view thereof, the left side view being identical to the right side view; and,
FIG. 5 is a bottom view thereof.

The broken line in the drawings show environmental structure of the egg mold that form no part of the claimed design.

1 Claim, 4 Drawing Sheets



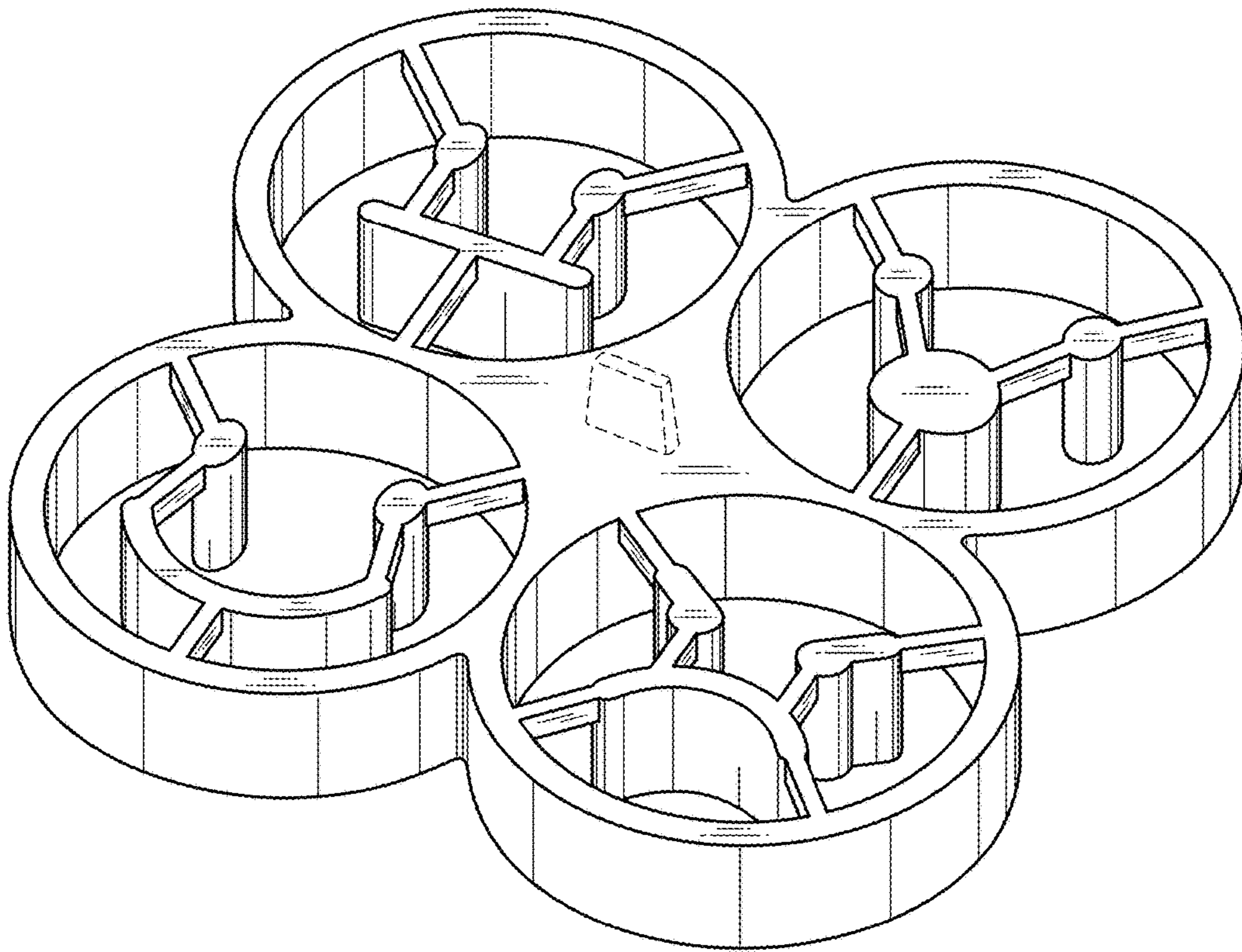


FIG. 1

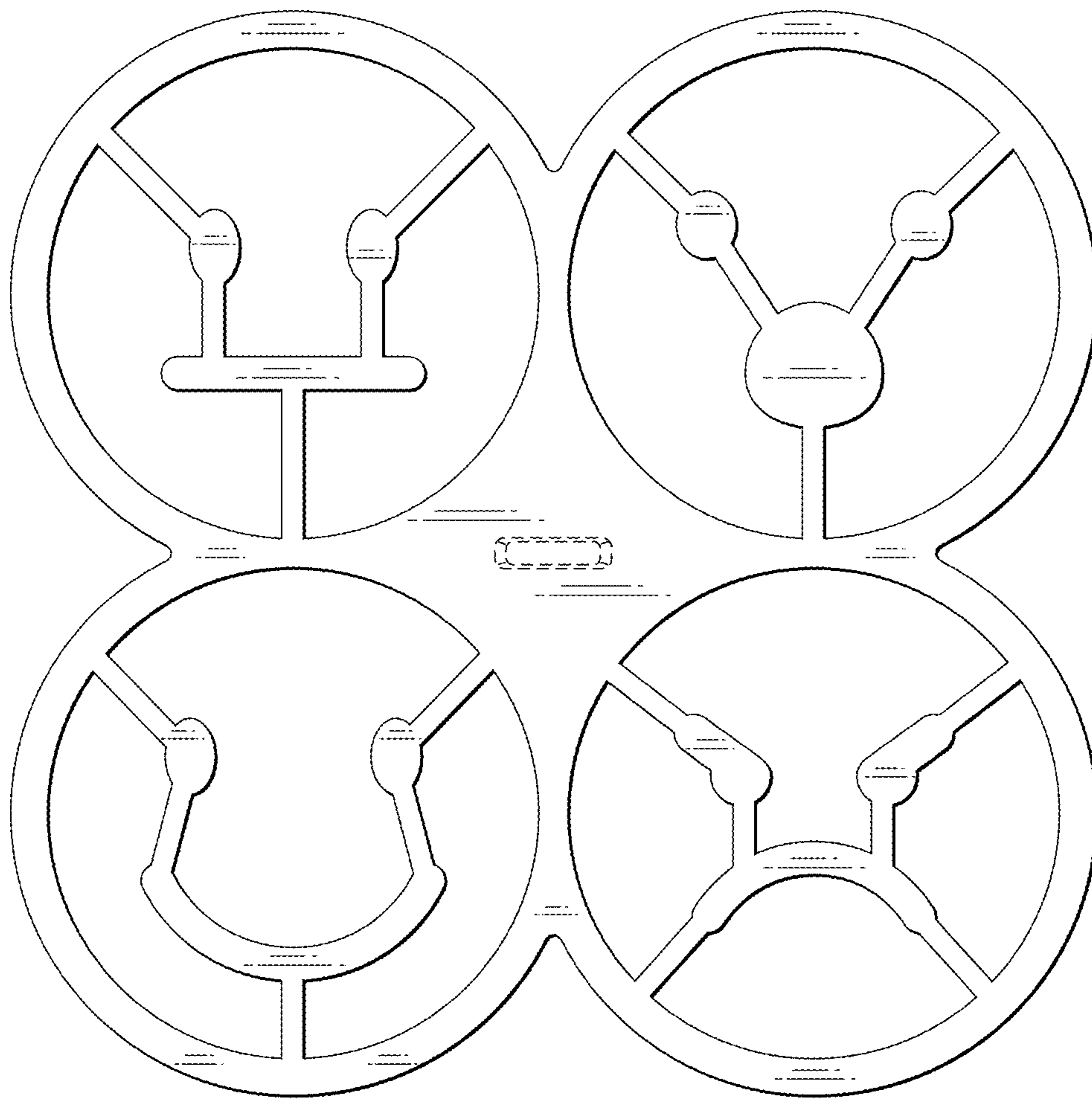


FIG. 2

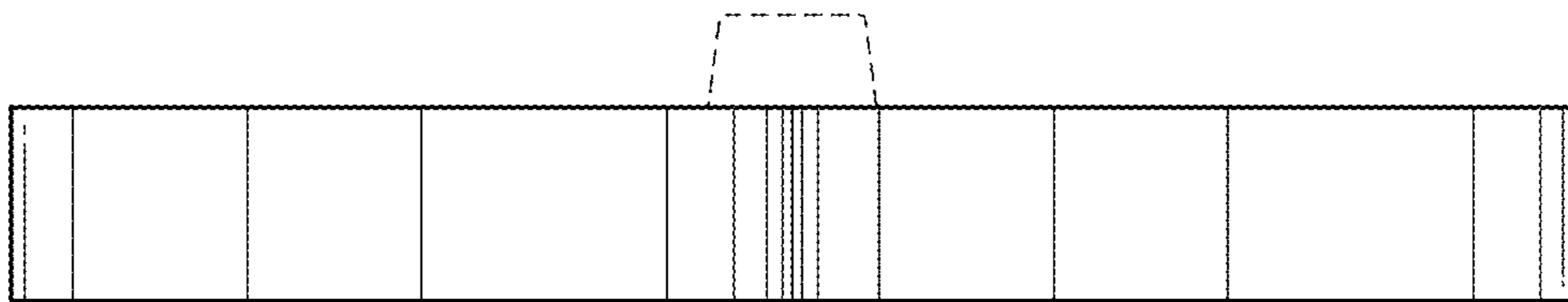


FIG. 3

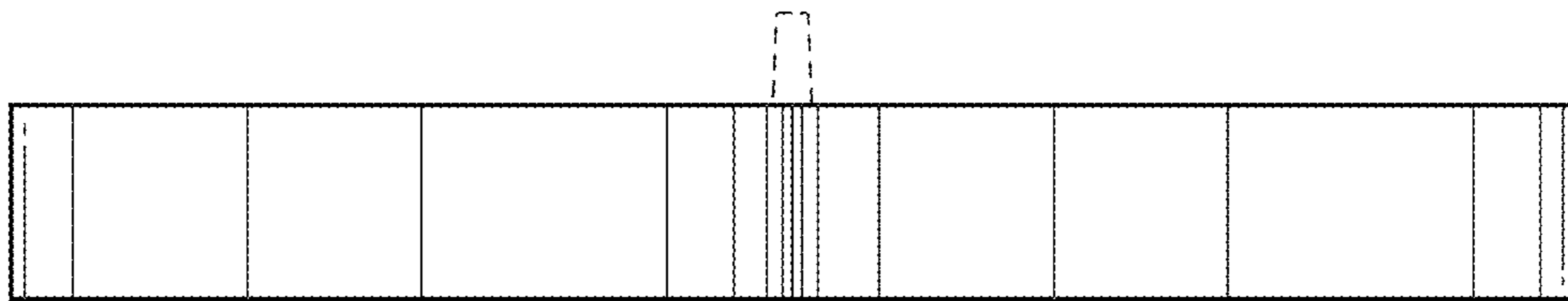


FIG. 4

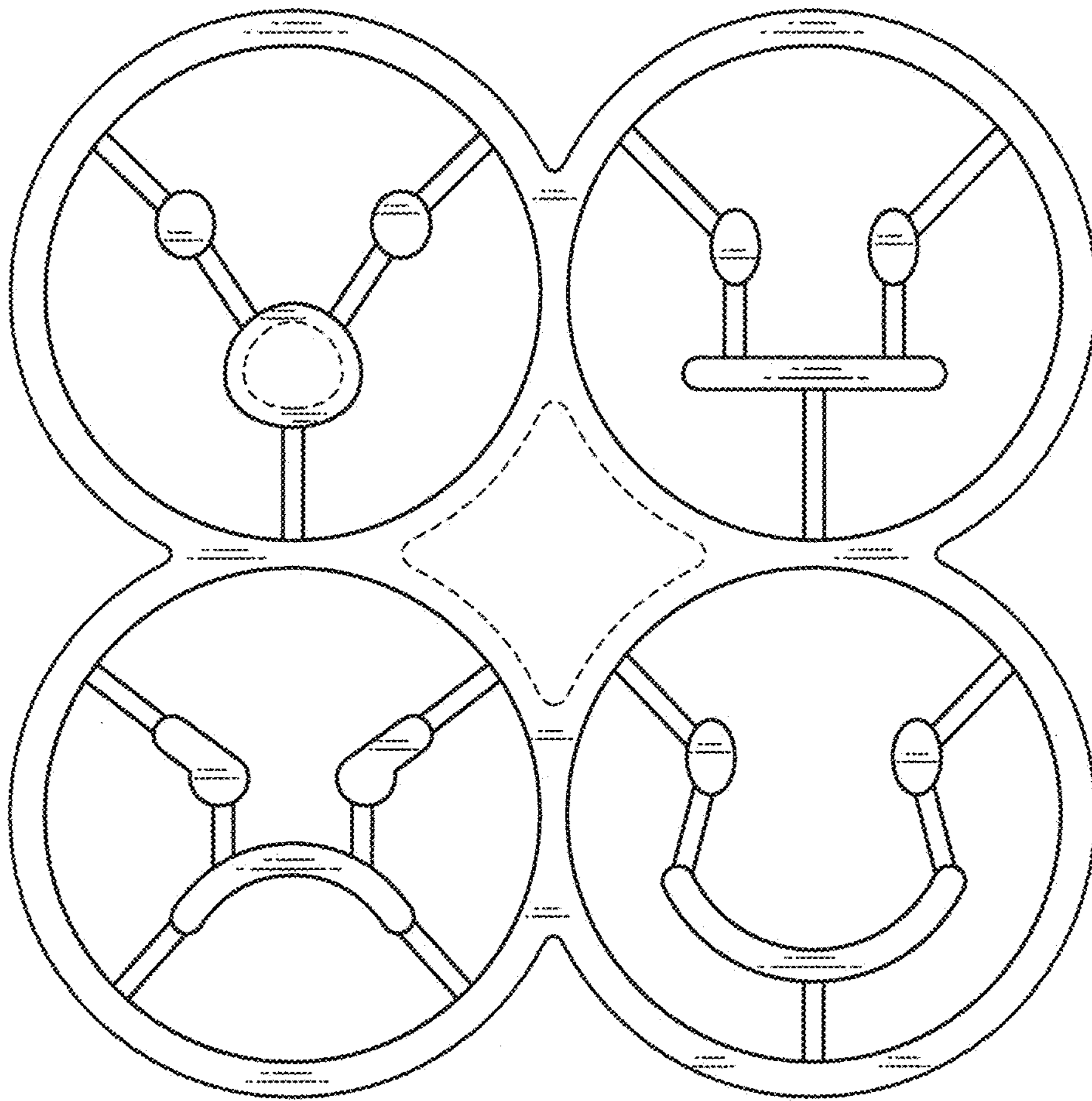


FIG. 5