



US00D844396S

(12) **United States Design Patent**
Goulet Dubois

(10) **Patent No.:** **US D844,396 S**
(45) **Date of Patent:** **** Apr. 2, 2019**

- (54) **EGG MOLD**
- (71) Applicant: **Lifetime Brands, Inc.**, Garden City, NY (US)
- (72) Inventor: **Elizabeth Goulet Dubois**, Hope, RI (US)
- (73) Assignee: **Lifetime Brands, Inc.**, Garden City, NY (US)
- (**) Term: **15 Years**
- (21) Appl. No.: **29/591,474**
- (22) Filed: **Jan. 20, 2017**
- (51) **LOC (11) Cl.** **07-04**
- (52) **U.S. Cl.**
USPC **D7/675**
- (58) **Field of Classification Search**
USPC D7/672-677, 354, 693-696, 678, 357;
99/422
CPC .. A47J 43/00; A47J 43/25; A47J 25/00; A47J 43/20; A47J 29/00; B26D 2210/02; B26D 1/143; B26D 3/283; B26D 3/26; B26D 3/185; B26D 2003/288; B26D 2003/286; B26D 2003/285; B26D 2003/287; A23G 3/0034; A23G 3/0273; A23L 15/00
See application file for complete search history.

- (56) **References Cited**
U.S. PATENT DOCUMENTS
D162,041 S * 2/1951 Klein D7/672
D173,322 S * 10/1954 Patrick D7/672

- 3,279,397 A * 10/1966 Swett A47J 43/20
220/504
- D240,288 S * 6/1976 Wright D7/672
- D257,202 S * 10/1980 Schessl D7/672
- 4,488,479 A * 12/1984 Sloan A47J 29/00
126/380.1
- D584,578 S * 1/2009 Vendl D7/675
- D587,074 S * 2/2009 Casarta D7/675
- 8,474,372 B2 * 7/2013 Stacey A47J 29/02
99/422
- 2004/0060457 A1 * 4/2004 Williams A47J 37/067
99/422
- 2006/0117963 A1 * 6/2006 Schneider A47J 43/20
99/403

* cited by examiner

Primary Examiner — Brett Miller

(74) *Attorney, Agent, or Firm* — Tutunjian & Bitetto, P.C.

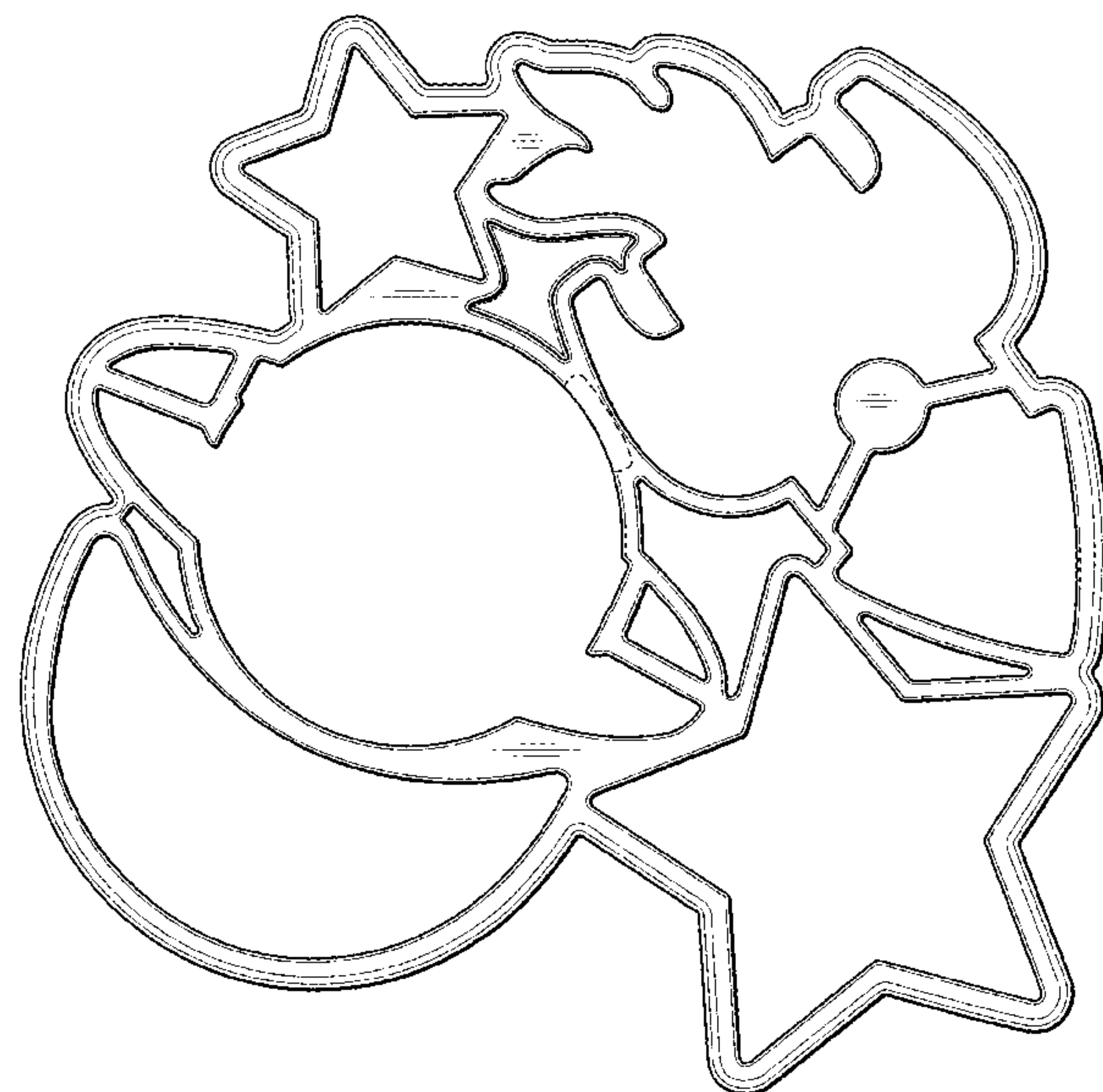
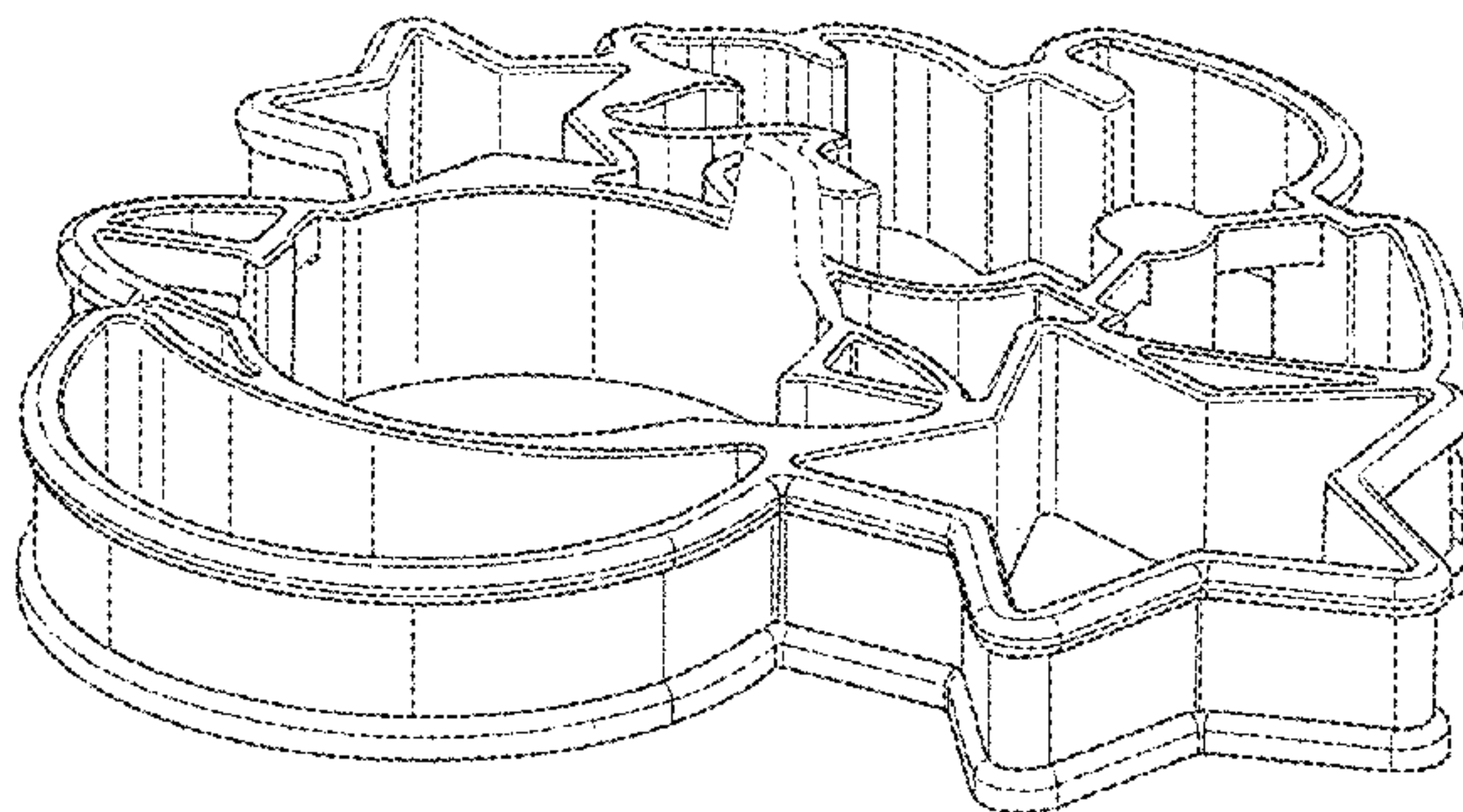
(57) **CLAIM**

The ornamental design for an egg mold, as shown and described.

DESCRIPTION

FIG. 1 is a perspective view of the egg mold showing my new design;
 FIG. 2 is a top view thereof;
 FIG. 3 is a front view thereof;
 FIG. 4 is a right side view thereof;
 FIG. 5 is a rear view thereof;
 FIG. 6 is a left side view thereof; and,
 FIG. 7 is a bottom view thereof.
 The broken line in the drawings show environmental structure of the egg mold that form no part of the claimed design.

1 Claim, 5 Drawing Sheets



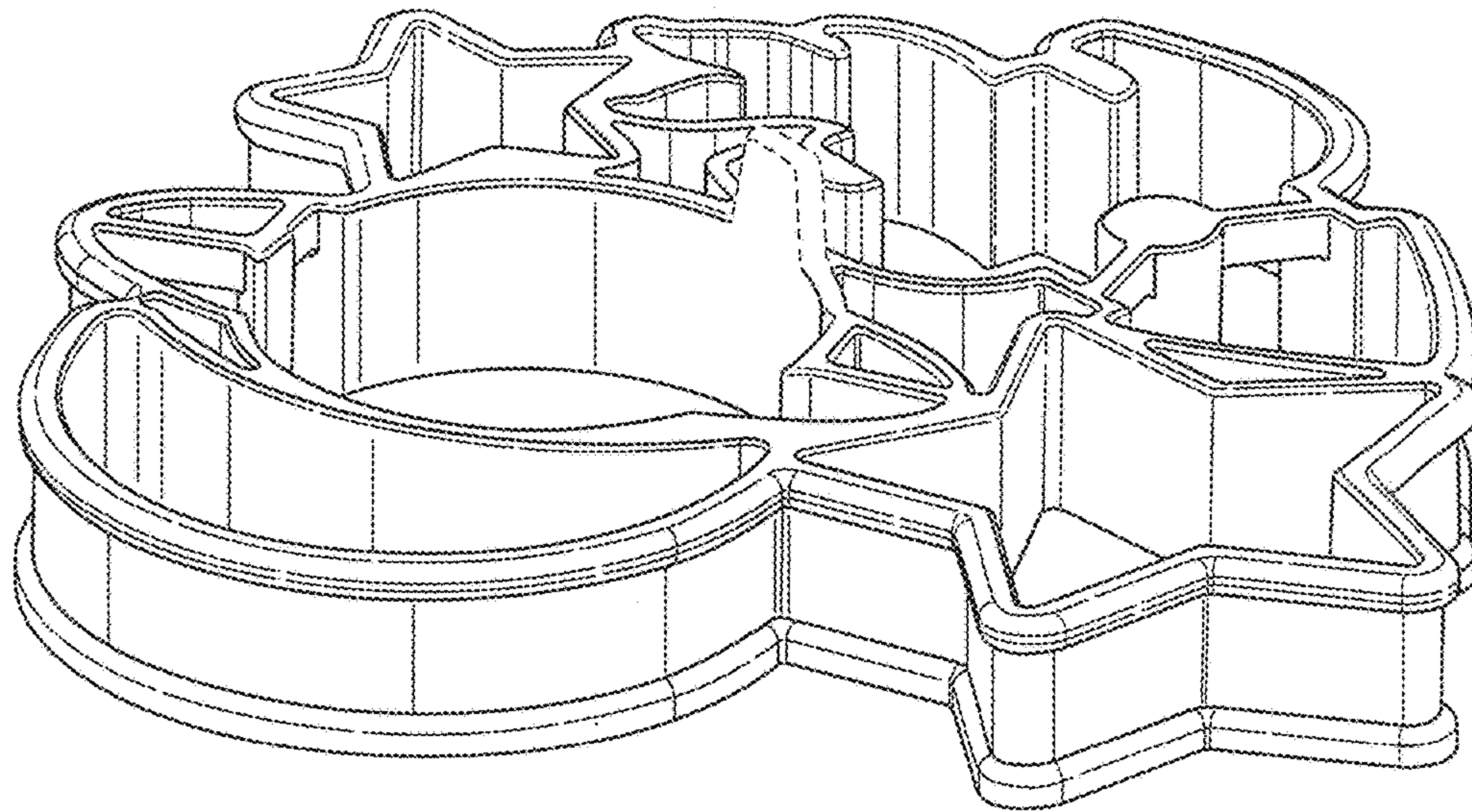


FIG. 1

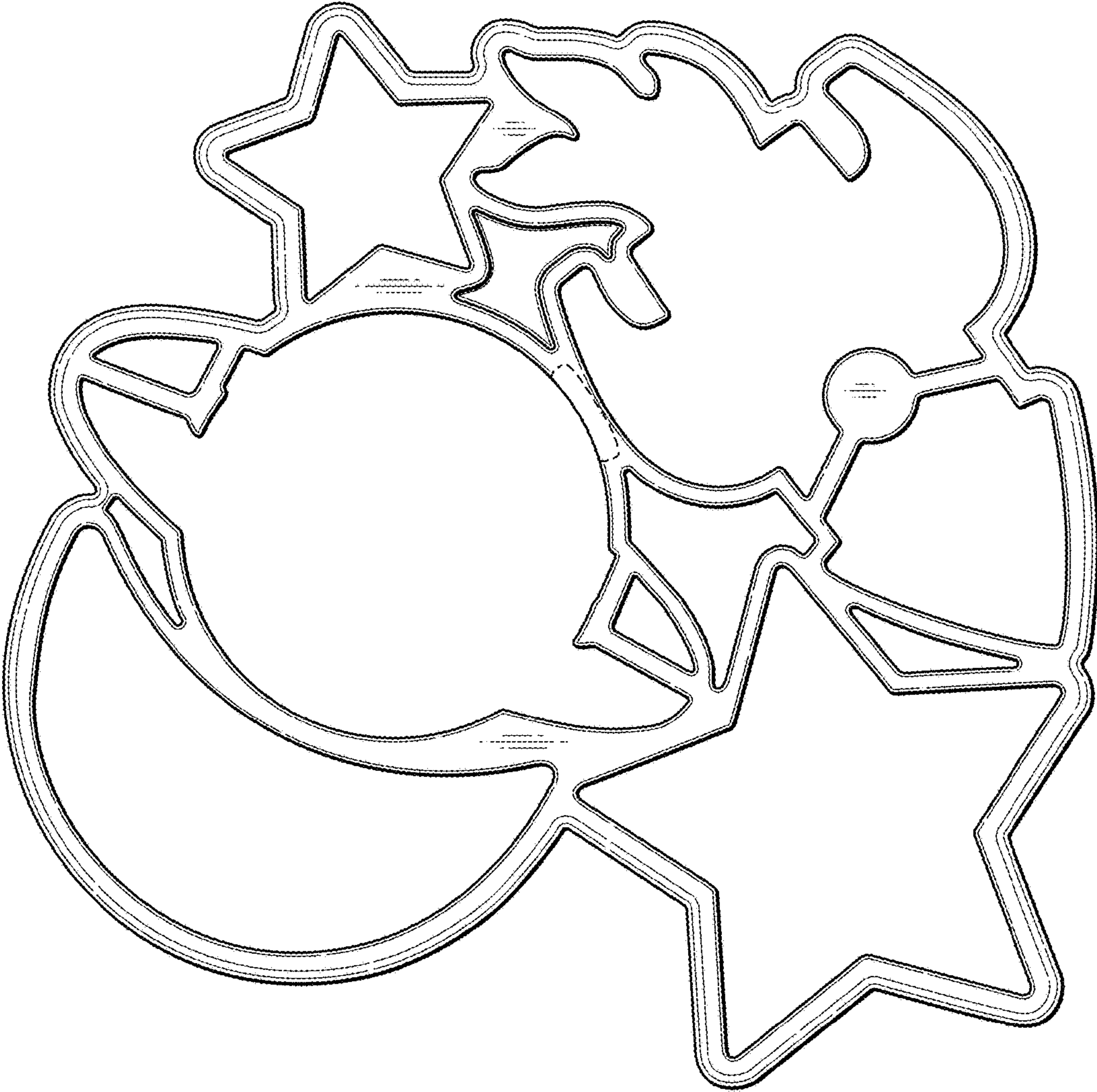


FIG. 2

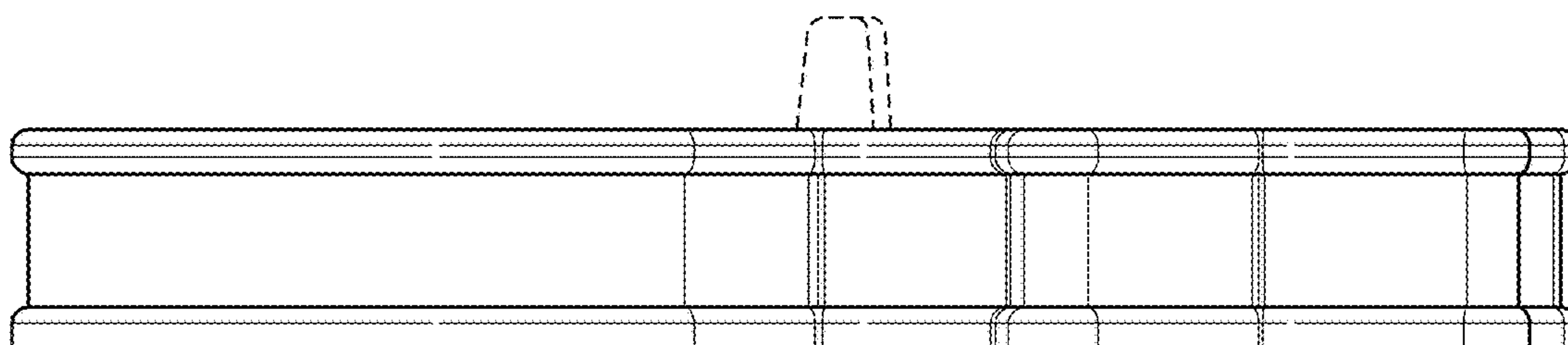


FIG. 3

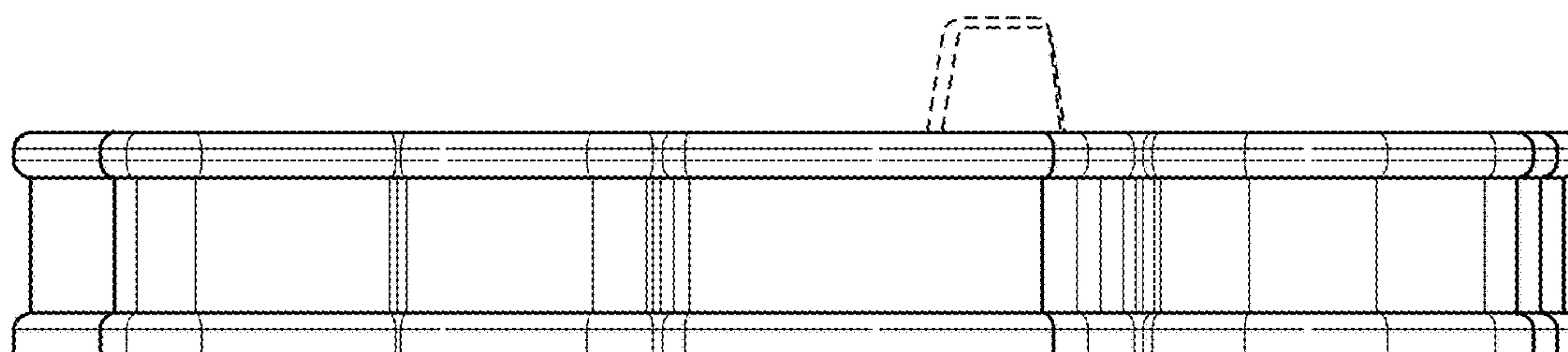


FIG. 4

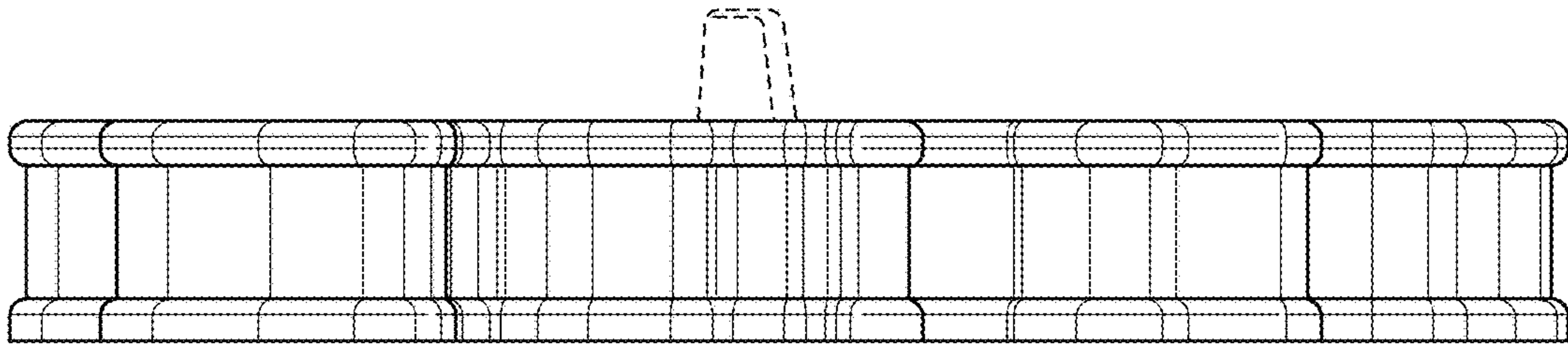


FIG. 5

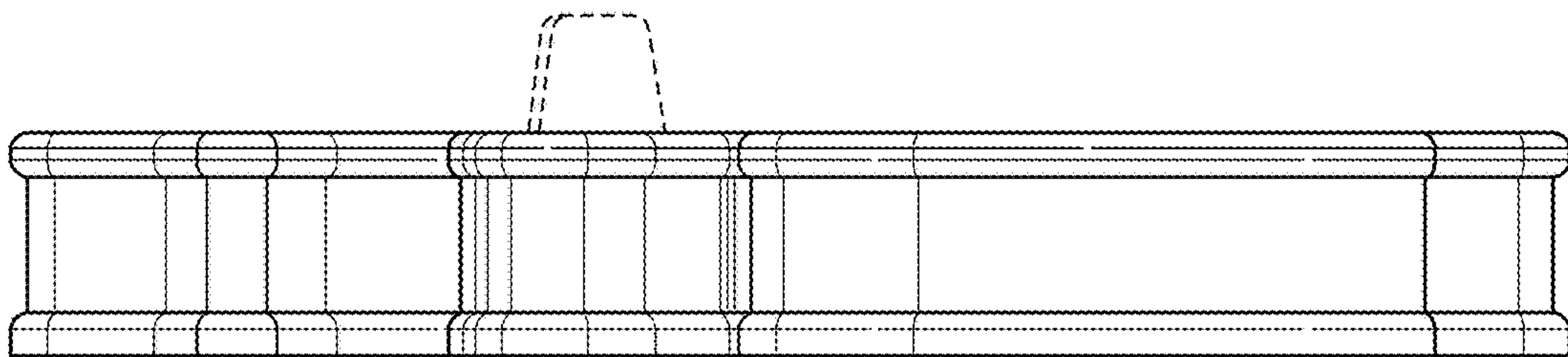


FIG. 6

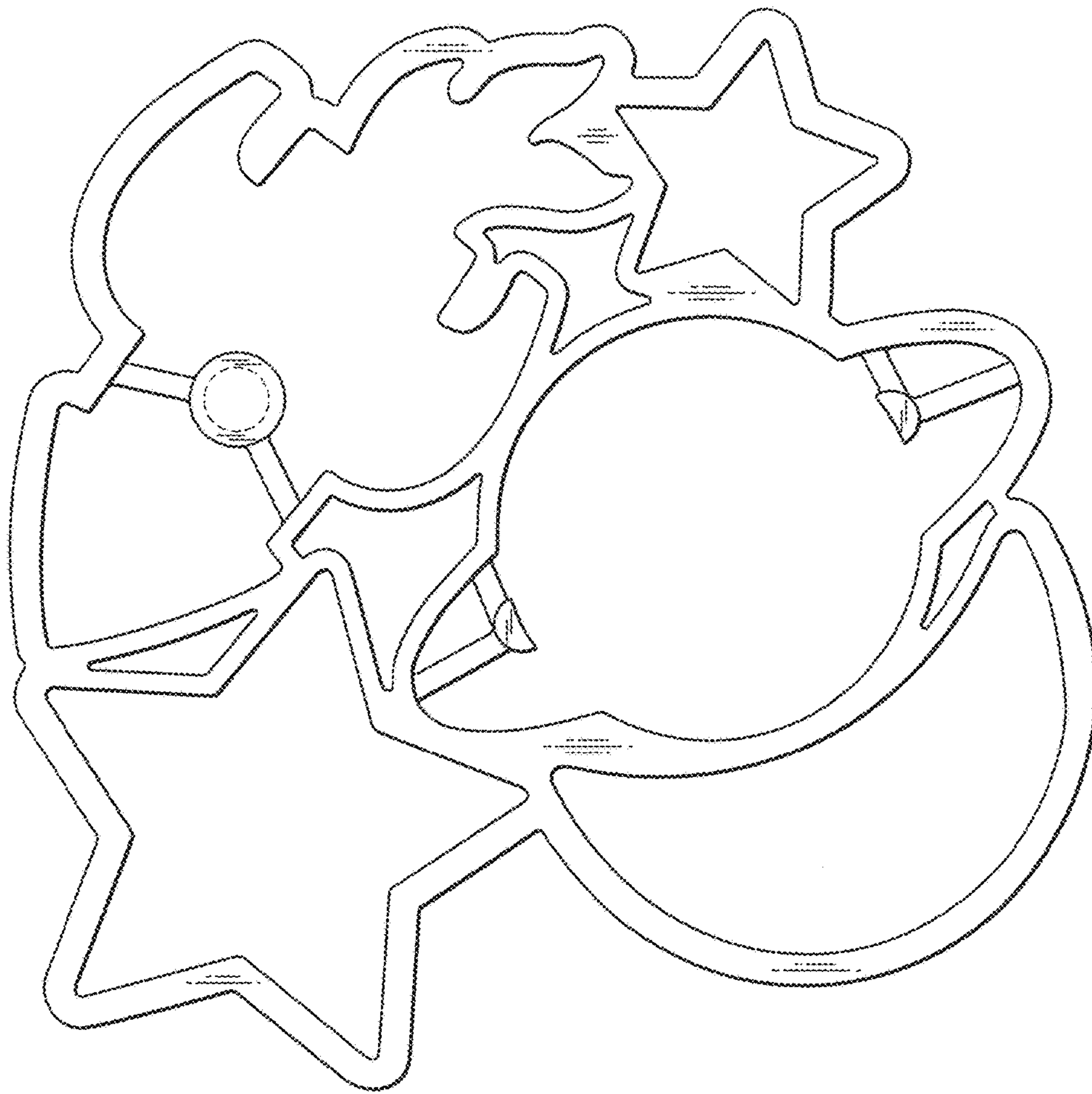


FIG. 7