

US00D844392S

(12) **United States Design Patent**
Gershkow

(10) **Patent No.:** **US D844,392 S**

(45) **Date of Patent:** **** Apr. 2, 2019**

(54) **MARINADE INJECTOR**

(71) Applicant: **Charcoal Companion Incorporated,**
Berkeley, CA (US)

(72) Inventor: **Bennett Gershkow,** San Francisco, CA
(US)

(**) Term: **15 Years**

(21) Appl. No.: **29/627,549**

(22) Filed: **Nov. 28, 2017**

(51) **LOC (11) Cl.** **07-99**

(52) **U.S. Cl.**
USPC **D7/669**

(58) **Field of Classification Search**
USPC D7/669; D24/112, 114, 130
CPC . A47J 37/00; A47J 43/28; A47J 43/16; A23B
4/28; A23B 4/32; A22C 17/0053; A61M
5/3135; A61M 5/315
See application file for complete search history.

(56) **References Cited**

U.S. PATENT DOCUMENTS

1,798,116	A *	3/1931	Brockway	A61M 5/315
					604/220
2,823,675	A *	2/1958	Sciurba	A61M 5/3135
					604/227
4,178,660	A *	12/1979	Olney	A22C 17/0053
					99/450.8
D263,271	S *	3/1982	Kalb	D7/669

OTHER PUBLICATIONS

AMAZONBASICS Premium Stainless Steel Marinade Meat Injector [online], site visited [Dec. 6, 2017]. Available from Internet URL: <https://www.amazon.com/AmazonBasics-Premium-Stainless-Marinade-Injector/dp/B01LBRBNCE>.

Bayou Classic 5011 2-Ounce Stainless-Steel Seasoning Injector with Marinade Needles [online], [site visited Dec. 6, 2017]. Avail-

able from Internet URL: <https://www.amazon.com/Bayou-Classic-5011-Stainless-Steel-Seasoning/dp/B000KDZ1VA/>.

Dimeshy Heavy duty 304 Stainless Steel Meat Injector Kit with 2-oz Large Capacity Barrel with 3 commercial Marinade Needles [online], site visited [Dec. 6, 2017]. Available from Internet URL: <https://www.amazon.com/Stainless-Injector-Capacity-commercial-Marinade/dp/B072JXYR6D>.

Mercier Stainless Steel Heavy Duty Meat marinade Injector with 2-oz Large Capacity Barrel and 3 Marinade Needles [online], site visited [Dec. 6, 2017]. Available from Internet URL: <https://www.amazon.com/Stainless-marinade-Injector-Capacity-Marinade/dp/B01N5I2PEH>.

* cited by examiner

Primary Examiner — Terry A Wallace

(74) *Attorney, Agent, or Firm* — Beeson Skinner Beverly, LLP

(57) **CLAIM**

The ornamental design for a marinade injector, as shown and described.

DESCRIPTION

FIG. 1 is a top perspective view of a marinade injector showing my new design;

FIG. 2 is a front elevational view thereof;

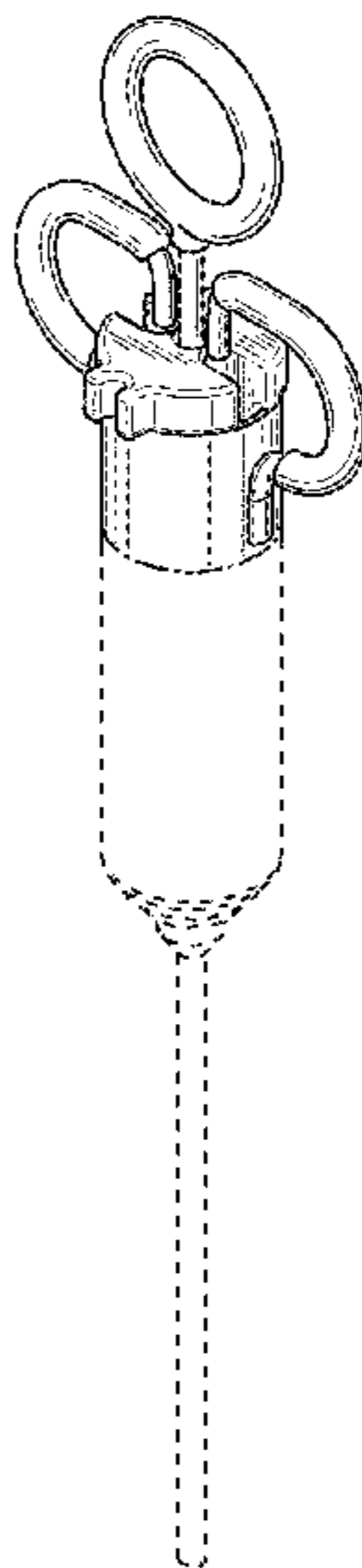
FIG. 3 is a right side elevational view thereof, the left side elevational view being a mirror image;

FIG. 4 is a top plan view thereof; and,

FIG. 5 is a bottom plan view thereof.

Broken lines in FIGS. 1 to 3 and 5 show the bottom portion of the barrel of the marinade injector and the injector needle of the marinade injector, neither of which form part of the claimed design. The dot-dash-dot broken lines in FIGS. 1 to 3 that extend across the diameter of the barrel of the marinade injector form a boundary line representing the bounds of the claimed design.

1 Claim, 2 Drawing Sheets



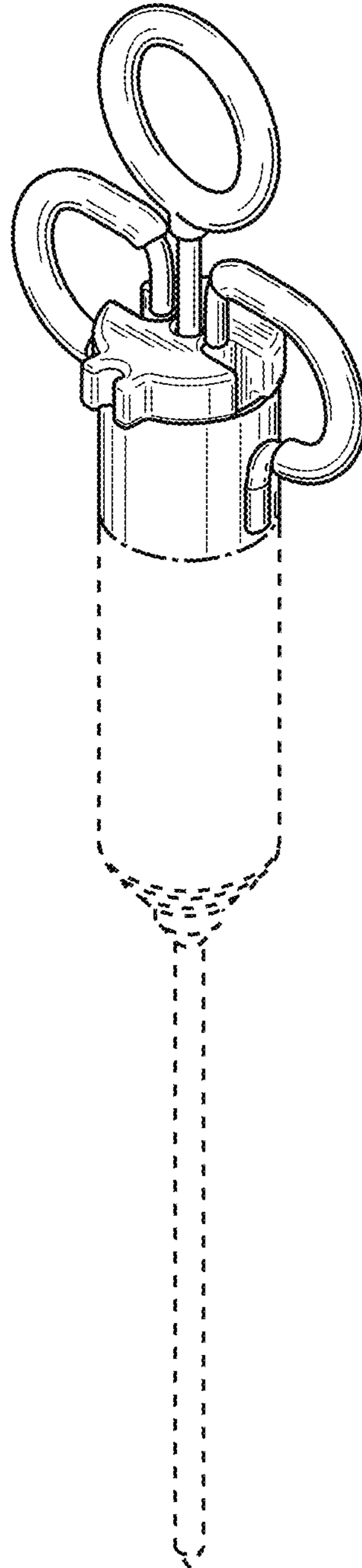


FIG. 1

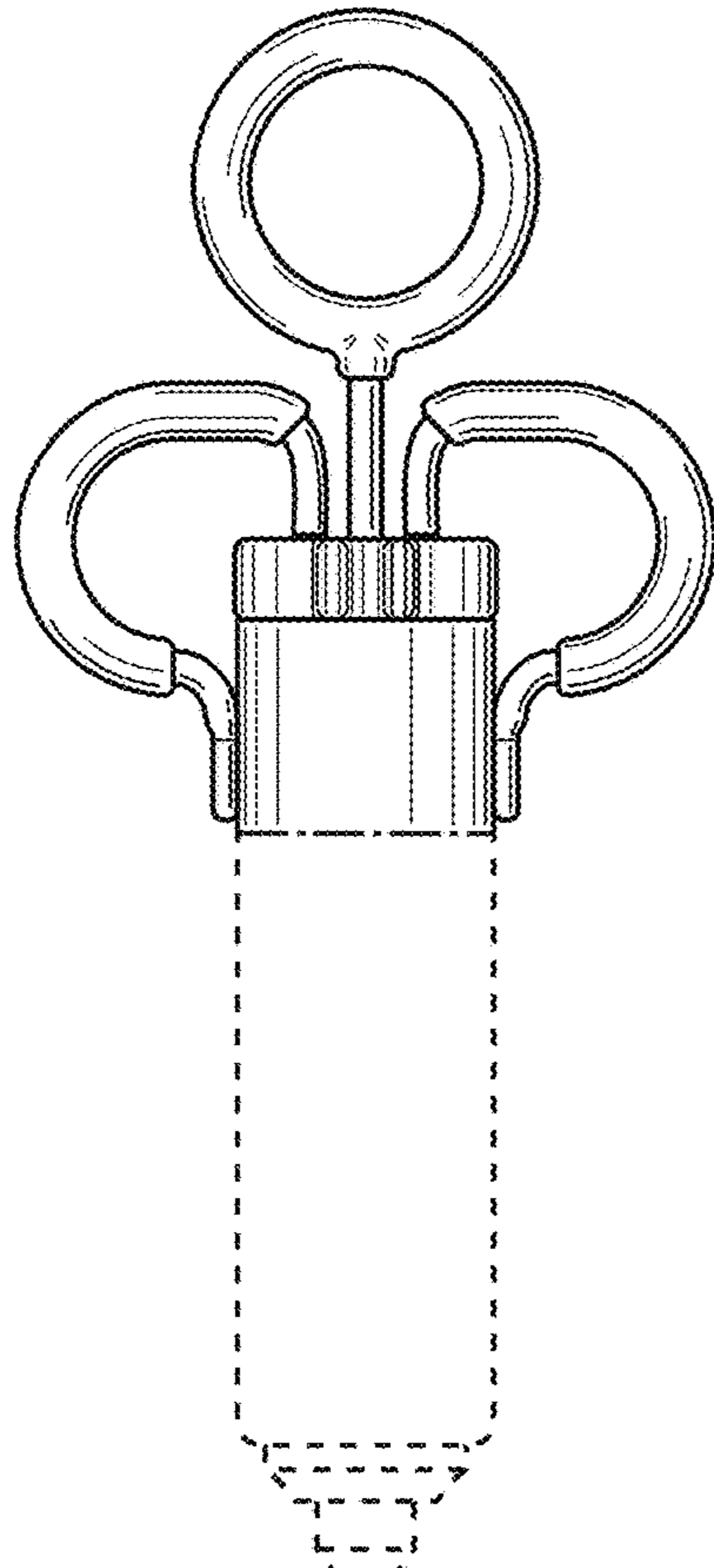


FIG. 2

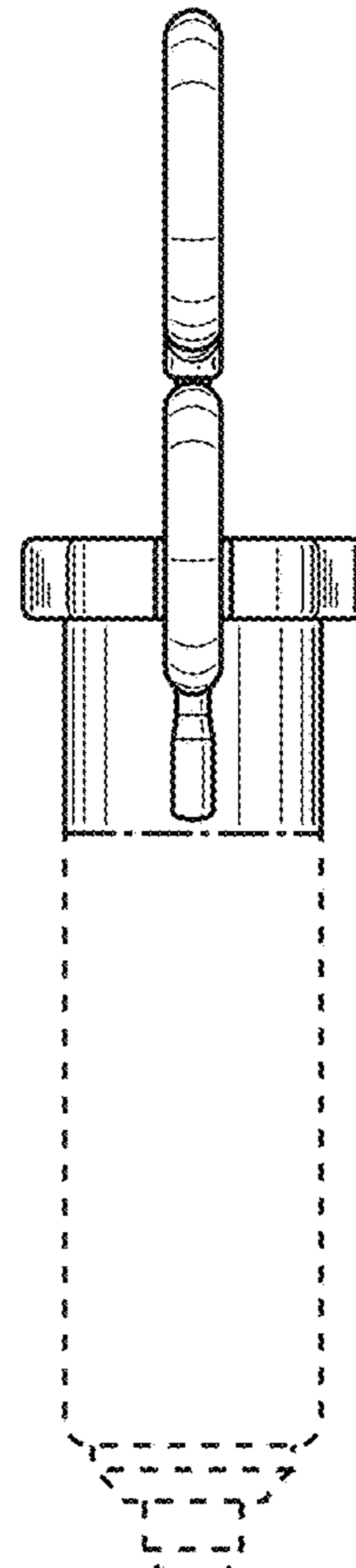


FIG. 3

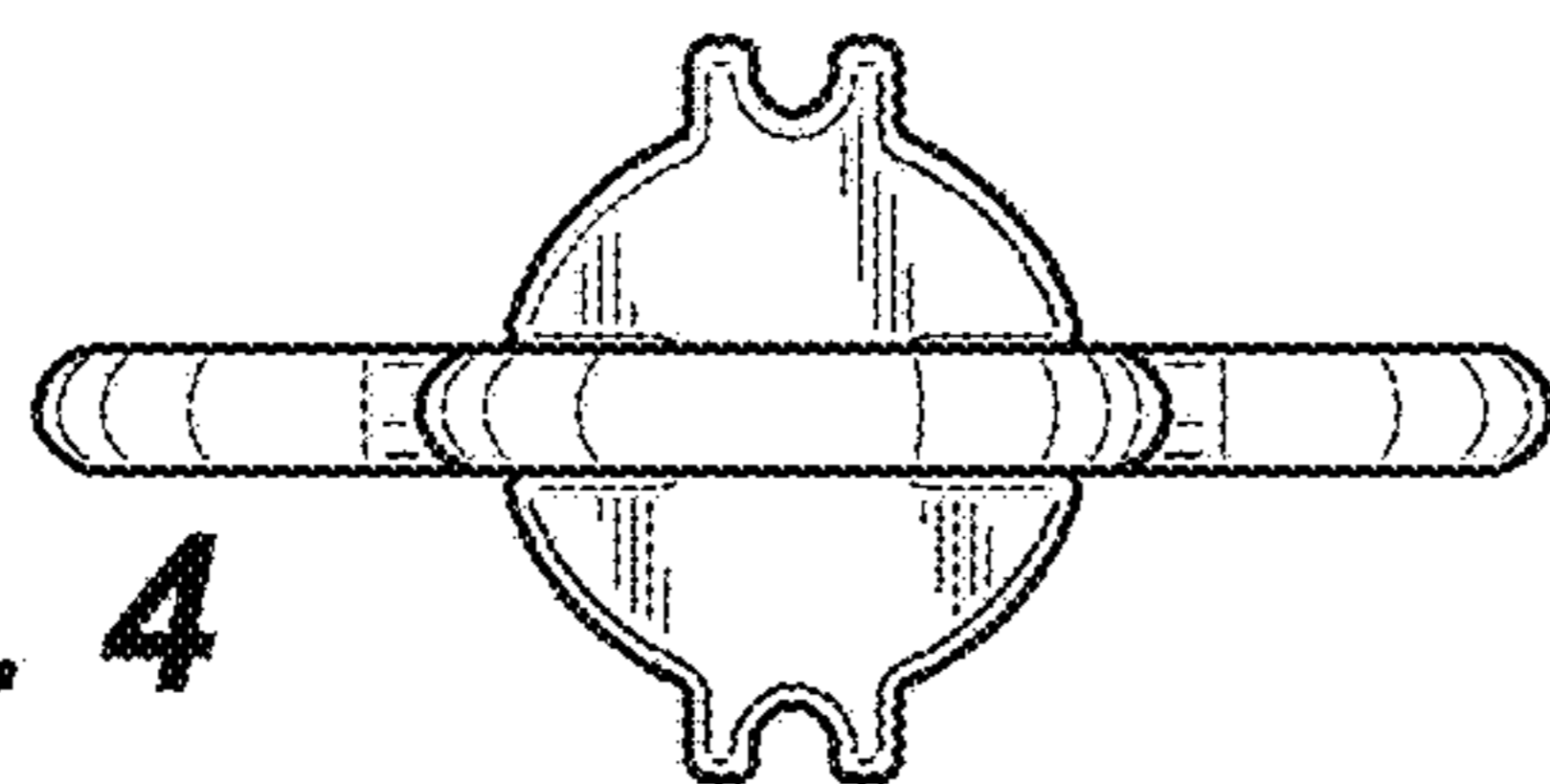


FIG. 4

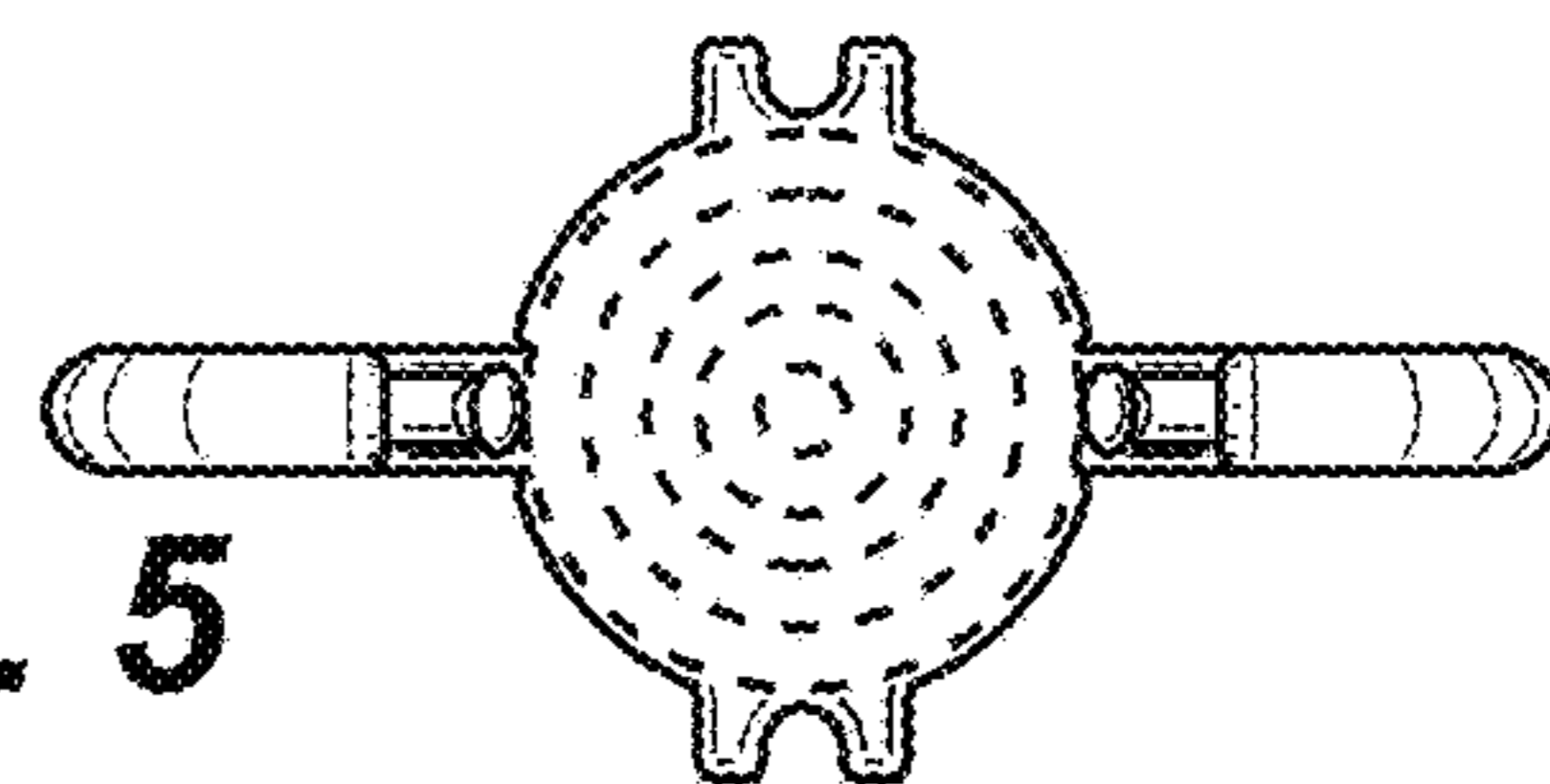


FIG. 5