



US00D844391S

(12) **United States Design Patent**  
**Cabrita**

(10) **Patent No.:** **US D844,391 S**

(45) **Date of Patent:** **\*\* Apr. 2, 2019**

- (54) **GARLIC PRESS**
- (71) Applicant: **Dart Industries Inc.**, Orlando, FL (US)
- (72) Inventor: **José Cabrita**, Vesoul (FR)
- (73) Assignee: **Dart Industries Inc.**, Orlando, FL (US)
- (\*\*) Term: **15 Years**
- (21) Appl. No.: **29/641,404**
- (22) Filed: **Mar. 22, 2018**
- (51) **LOC (11) Cl.** ..... **07-04**
- (52) **U.S. Cl.**  
USPC ..... **D7/666**
- (58) **Field of Classification Search**  
USPC ..... D7/665, 666, 678, 669, 693; D8/51-55  
CPC . B26B 13/06; B26B 5/008; B30B 9/04; A47J  
19/06; A47J 19/005; A47J 19/022; A47J  
43/286; A22C 9/008  
See application file for complete search history.

- D425,762 S \* 5/2000 Short ..... D7/666
- D468,595 S 1/2003 Lillelund et al.
- 6,505,548 B1 1/2003 Lillelund et al.
- D499,941 S \* 12/2004 Levien ..... D7/666
- D530,162 S \* 10/2006 Hussey ..... D7/666
- 8,534,190 B2 \* 9/2013 Ericsson ..... A47J 19/06  
100/112
- 2016/0220056 A1 \* 8/2016 Wong ..... A47J 19/06

\* cited by examiner

*Primary Examiner* — Terry A Wallace

(74) *Attorney, Agent, or Firm* — Taylor J. Ross

(57) **CLAIM**

The ornamental design for a garlic press, as shown and described.

**DESCRIPTION**

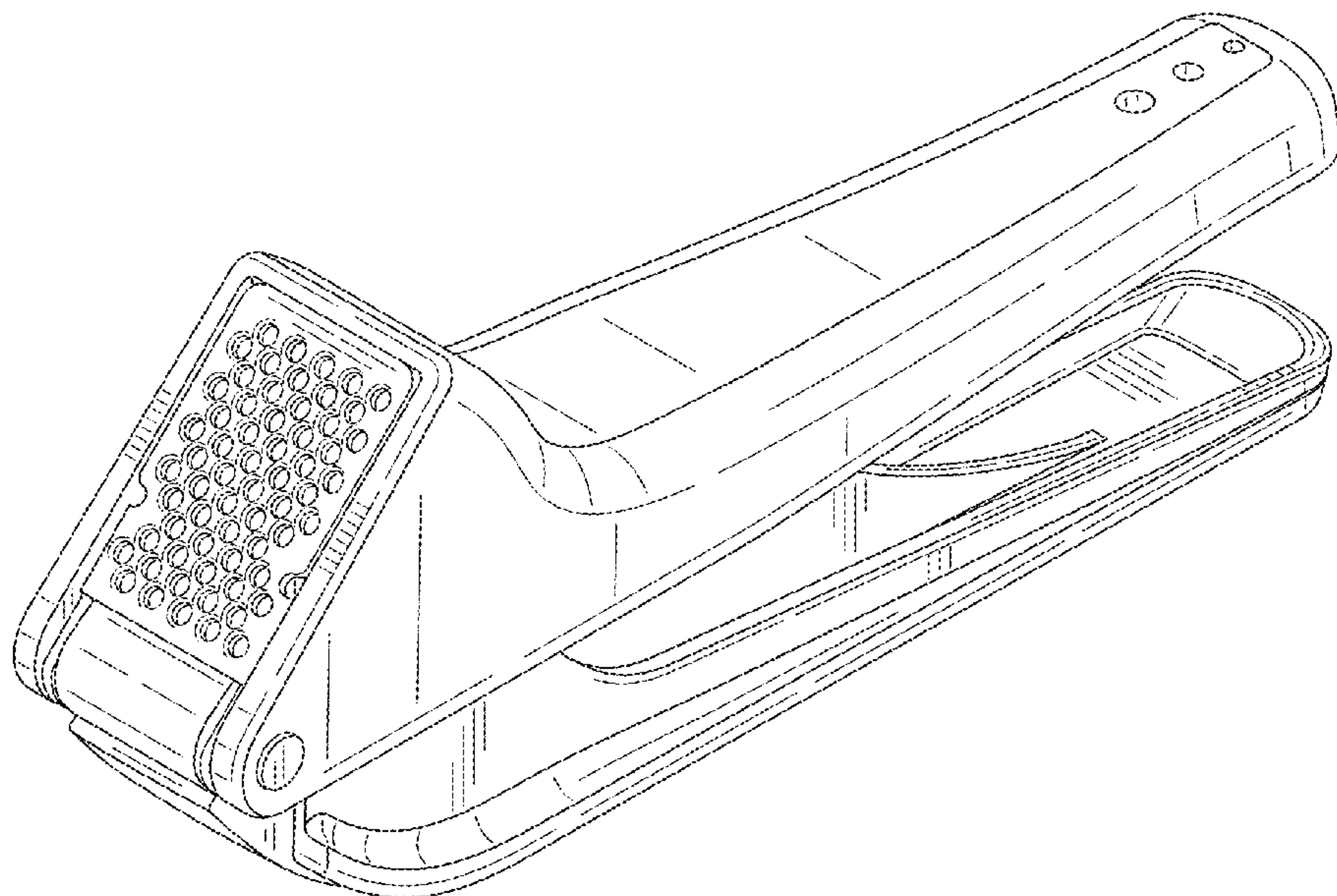
FIG. 1 is a top, front and left side isometric view of a garlic press in the closed position showing my new design;  
 FIG. 2 is a bottom, front and right side isometric view thereof;  
 FIG. 3 is a bottom, rear and left side isometric view thereof;  
 FIG. 4 is a top plan view thereof;  
 FIG. 5 is a bottom plan view thereof;  
 FIG. 6 is a left side elevation view, the right side being a mirror image thereof;  
 FIG. 7 is a rear elevation view thereof;  
 FIG. 8 is a front elevation view thereof;  
 FIG. 9 is a cross-sectional view taking along line 9-9 of FIG. 4; and,  
 FIG. 10 is a left side elevation view of the garlic press in the open position.

**1 Claim, 6 Drawing Sheets**

(56) **References Cited**

U.S. PATENT DOCUMENTS

- 2,776,616 A \* 1/1957 Sarossy ..... A47J 19/06  
100/125
- 4,466,346 A \* 8/1984 Gemelli ..... A47J 19/06  
100/112
- 4,545,299 A \* 10/1985 Ahner ..... A47J 19/06  
100/112
- 5,101,720 A \* 4/1992 Bianchi ..... A47J 19/06  
100/112
- 5,165,335 A \* 11/1992 Bianchi ..... A47J 19/06  
100/112
- 5,463,941 A \* 11/1995 Gibson ..... A47J 19/06  
100/112
- 5,467,699 A 11/1995 Laib
- D366,816 S 2/1996 Laib



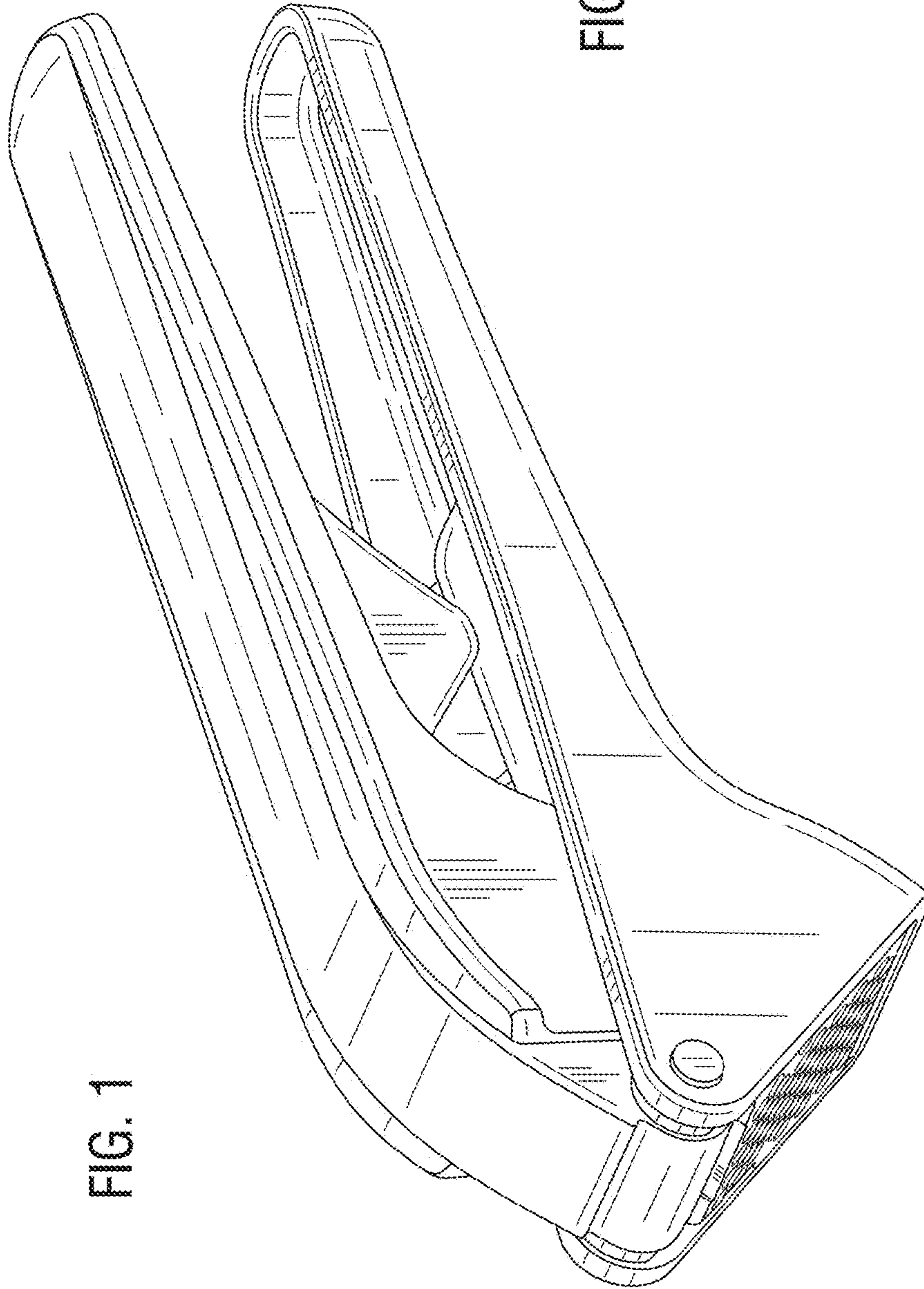


FIG. 1

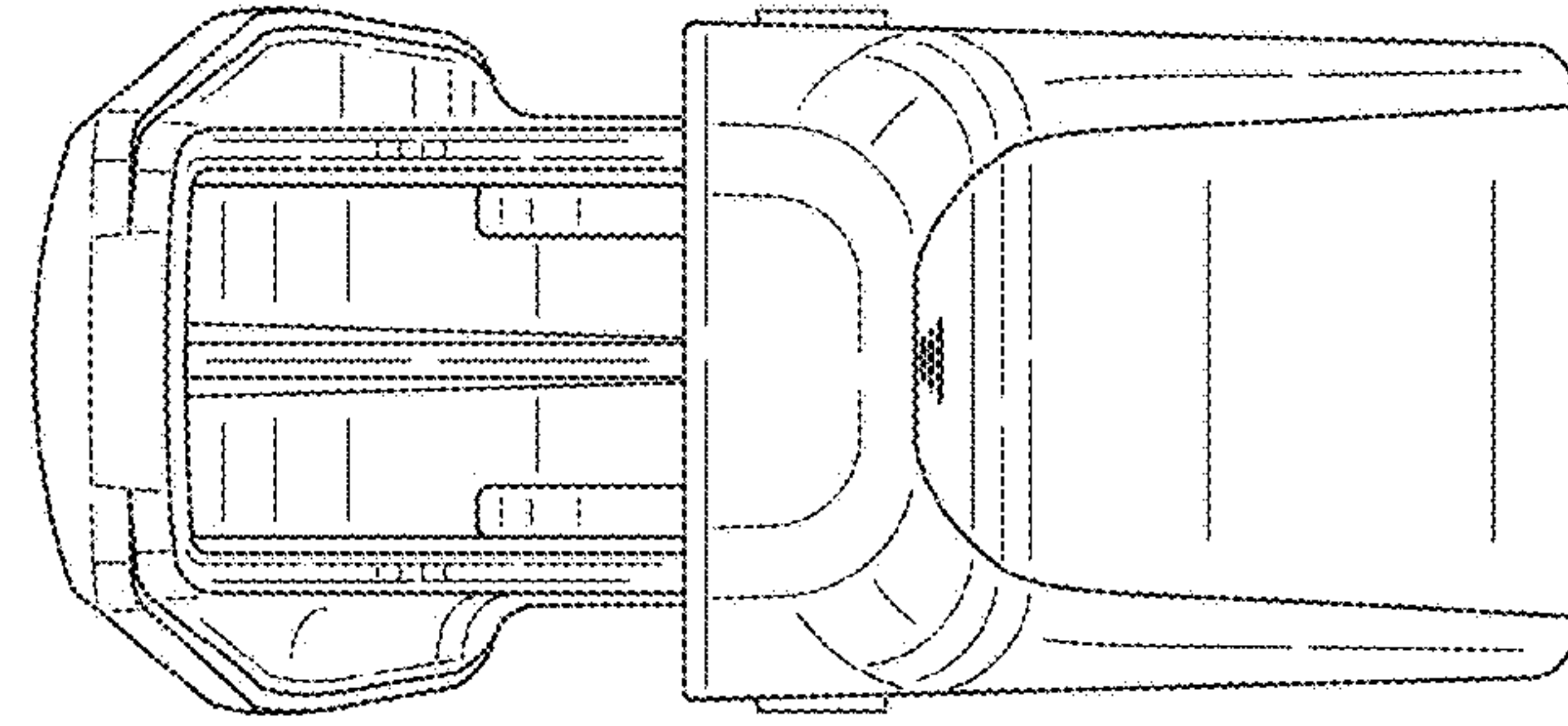


FIG. 7



FIG. 2

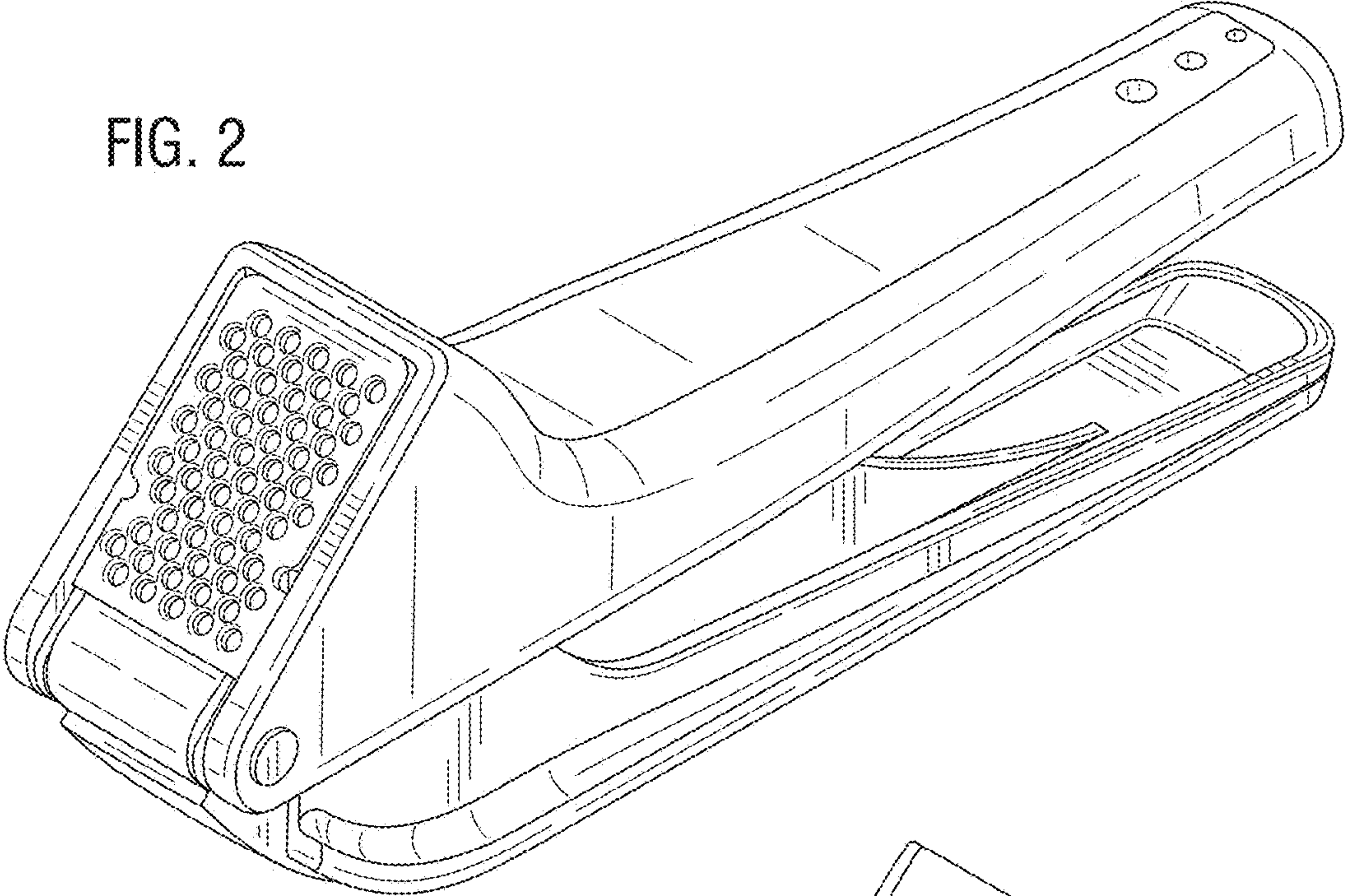


FIG. 3

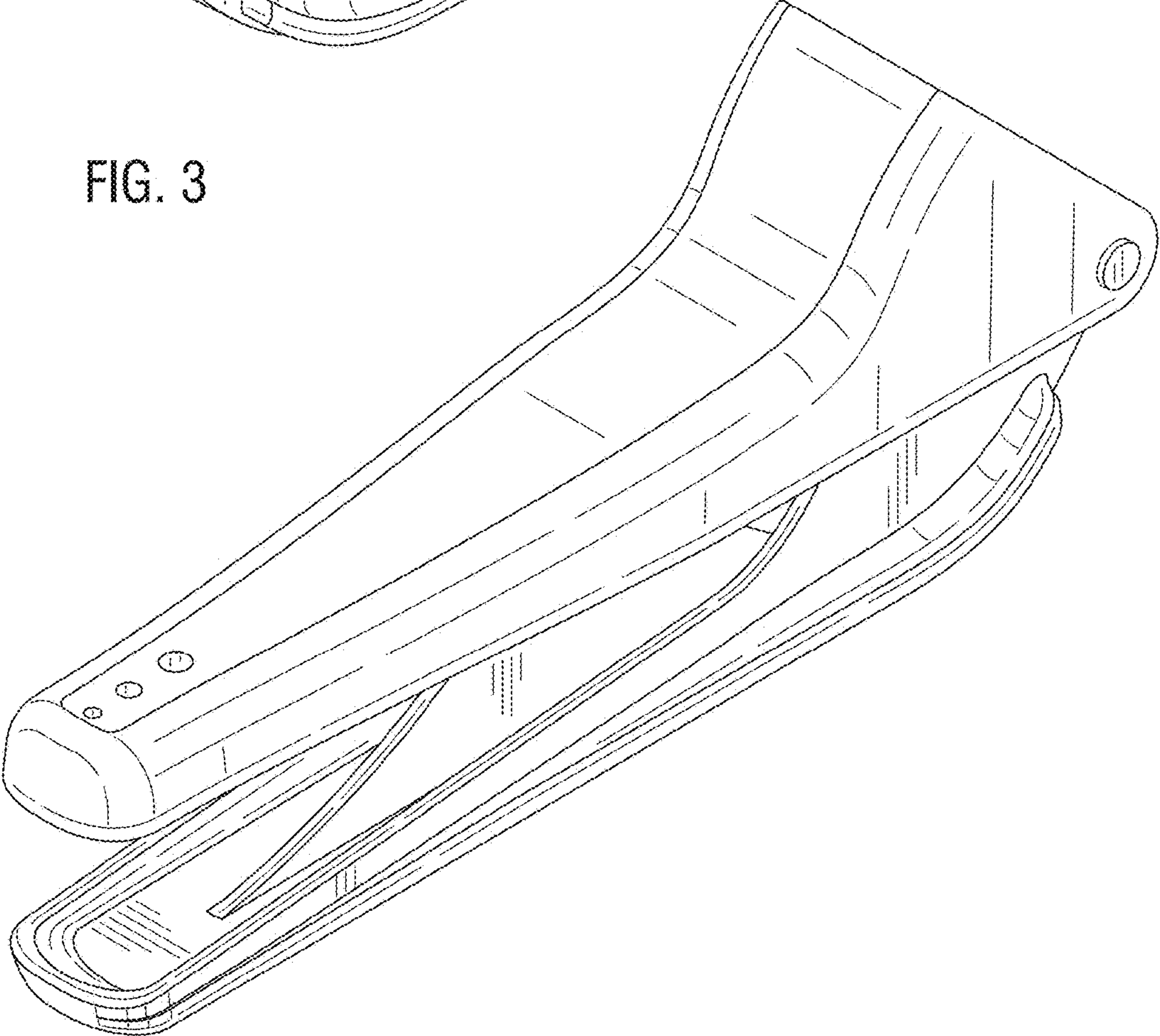


FIG. 4

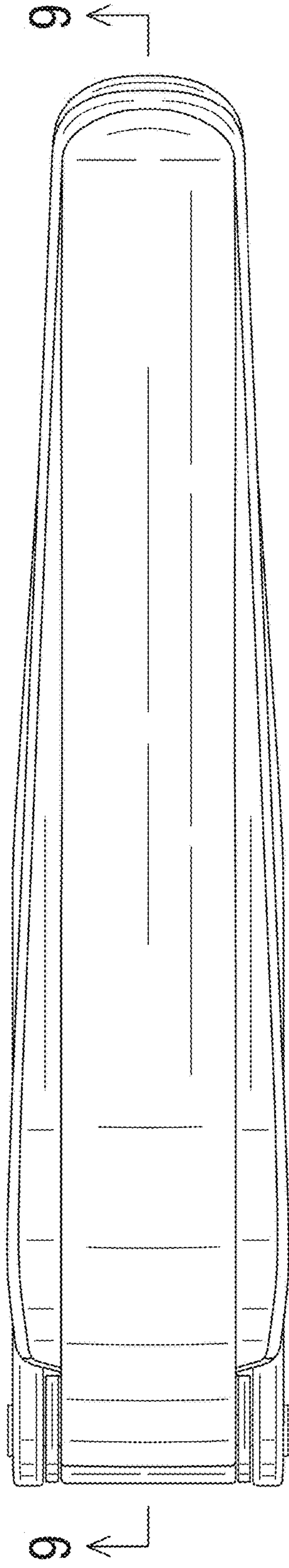
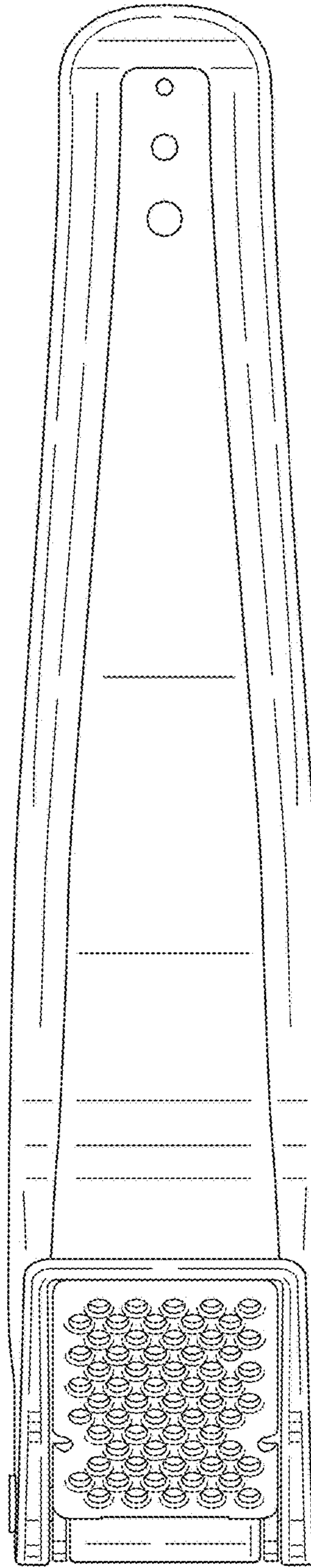


FIG. 5



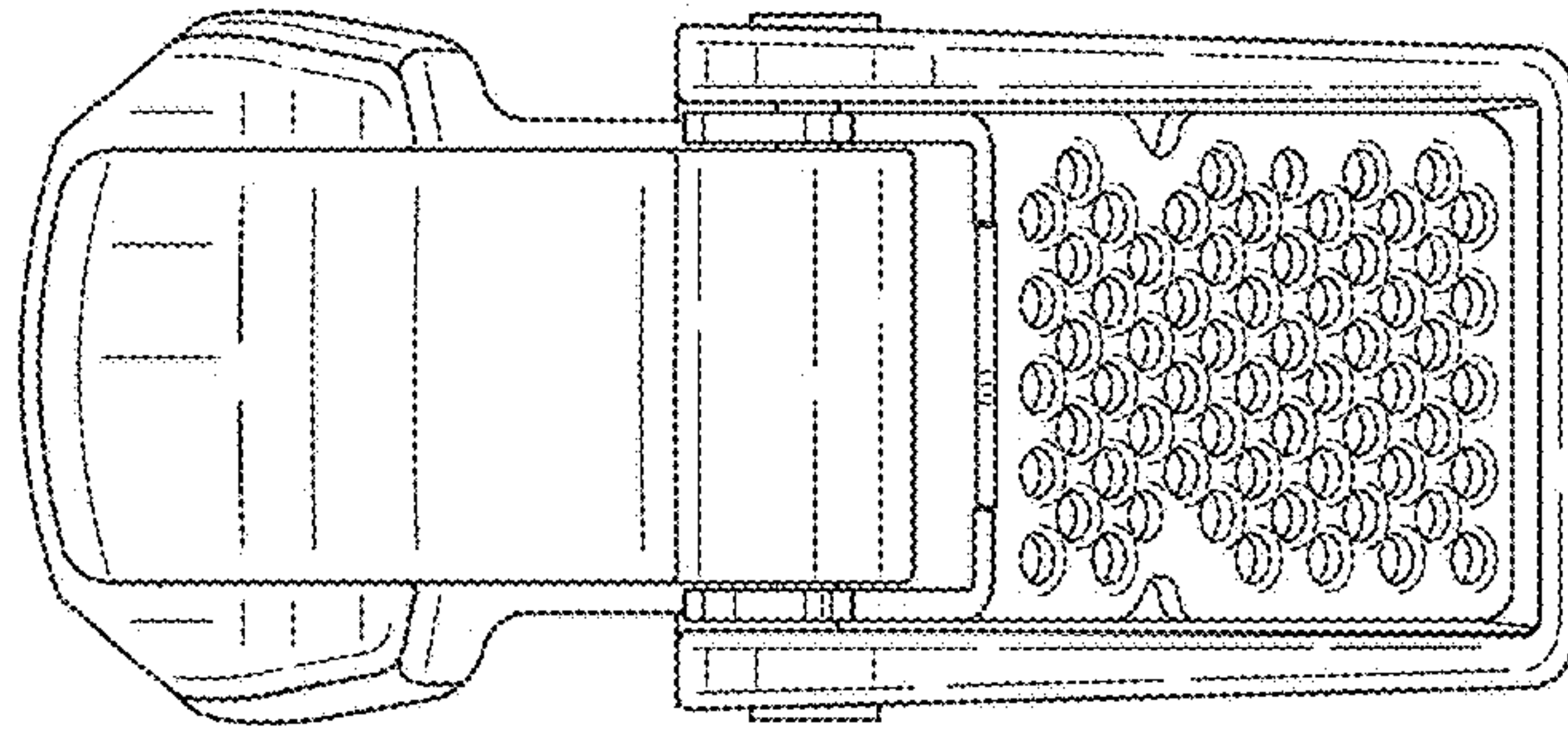
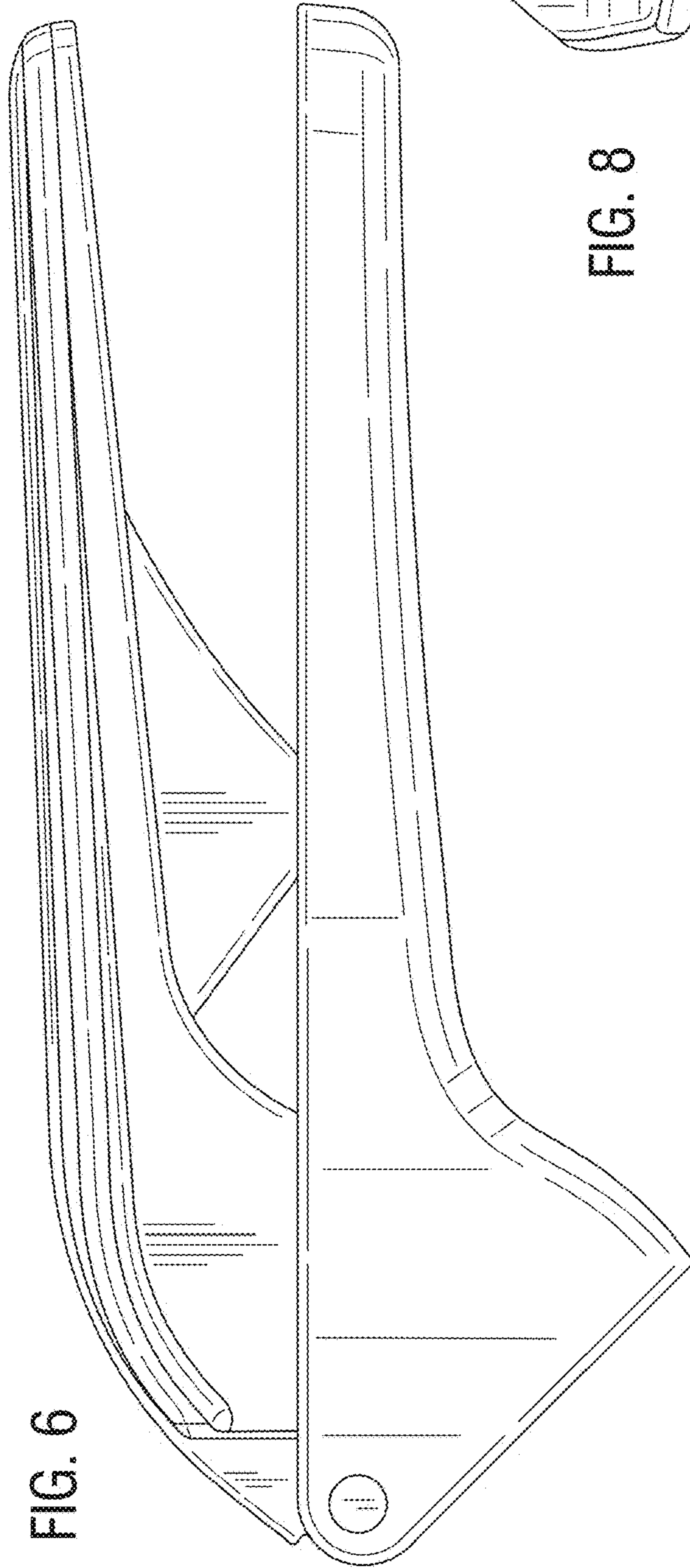


FIG. 8

FIG. 6



FIG. 9

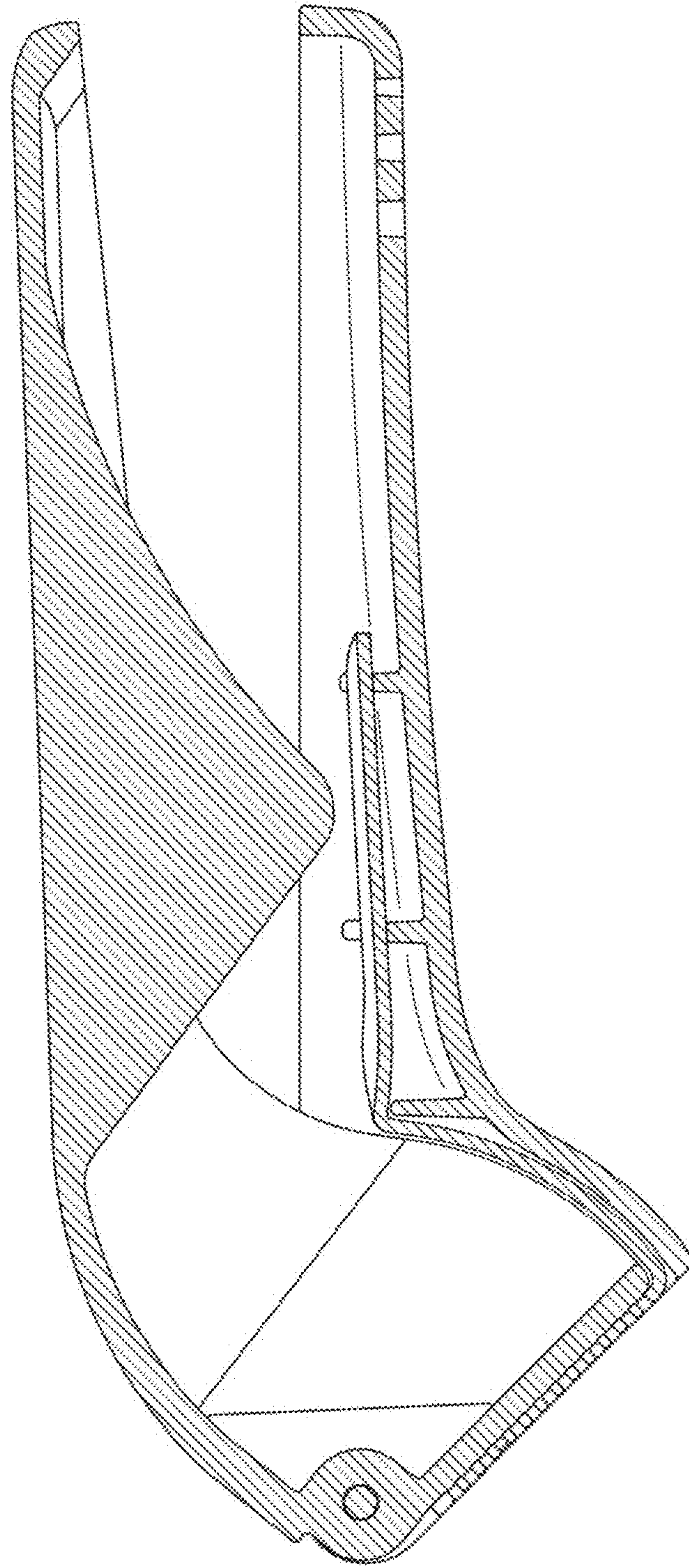


FIG. 10

