



US00D844389S

(12) **United States Design Patent**
Bromley

(10) **Patent No.:** **US D844,389 S**

(45) **Date of Patent:** **** Apr. 2, 2019**

(54) **CLIP-ON SPOON WITH INDIVIDUAL CONTAINERS**

(71) Applicant: **Robert Lee Bromley**, El Paso, TX (US)

(72) Inventor: **Robert Lee Bromley**, El Paso, TX (US)

(**) Term: **15 Years**

(21) Appl. No.: **29/547,341**

(22) Filed: **Dec. 3, 2015**

(51) **LOC (11) Cl.** **07-03**

(52) **U.S. Cl.**
USPC **D7/643; D7/645; D7/653**

(58) **Field of Classification Search**
USPC D7/352, 368, 401.2, 642-645, 653-664, D7/669, 674-677, 683, 688-689, 691; D8/107, 300-301; D10/46.3; D22/117-118

CPC ... A01D 9/02; A01D 9/04; A01D 9/06; A47G 21/00; A47G 21/004; A47G 21/005; A47G 21/02; A47G 21/023; A47G 21/04; A47G 21/06; A47G 21/08; A47J 43/28; A47J 43/281; A47J 43/282; A61F 13/10; A61J 7/0023; B25G 1/00; B25G 1/01; B25G 1/02; B25G 3/00; B65D 75/56; B65D 75/563; B65D 75/566; B67B 7/00; B67B 7/724; B67B 7/73; G01F 19/002; G01N 1/08

See application file for complete search history.

(56) **References Cited**

U.S. PATENT DOCUMENTS

315,768 A * 4/1885 Goodwin G01F 19/002
73/426
D50,076 S * 12/1916 Riess D7/352

D77,875 S * 3/1929 Bedel D7/674
2,034,733 A * 3/1936 Wilkins G01N 1/08
30/324
2,259,504 A * 10/1941 Wilson G01F 19/002
30/326
D156,850 S * 1/1950 Shirley 30/324
2,683,374 A * 7/1954 Finley A47G 21/04
30/324
3,030,812 A * 4/1962 Lutz G01F 19/002
30/324
D342,455 S * 12/1993 Lown D10/46.3
D484,425 S * 12/2003 Settele D10/46.3
D554,449 S * 11/2007 Stewart D10/46.3
D769,136 S * 10/2016 Bergmann D10/46.3

* cited by examiner

Primary Examiner — Ricky Pham

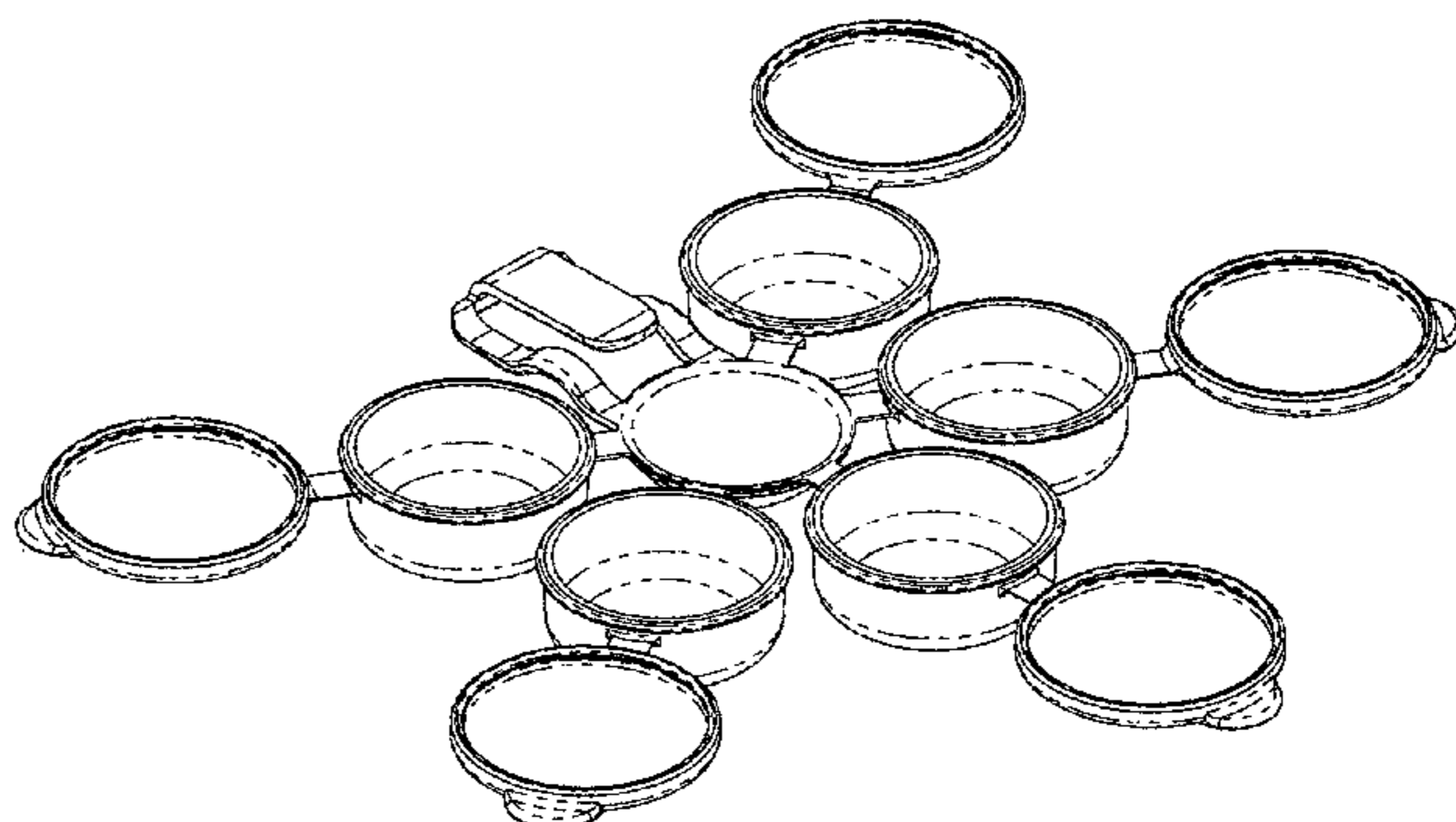
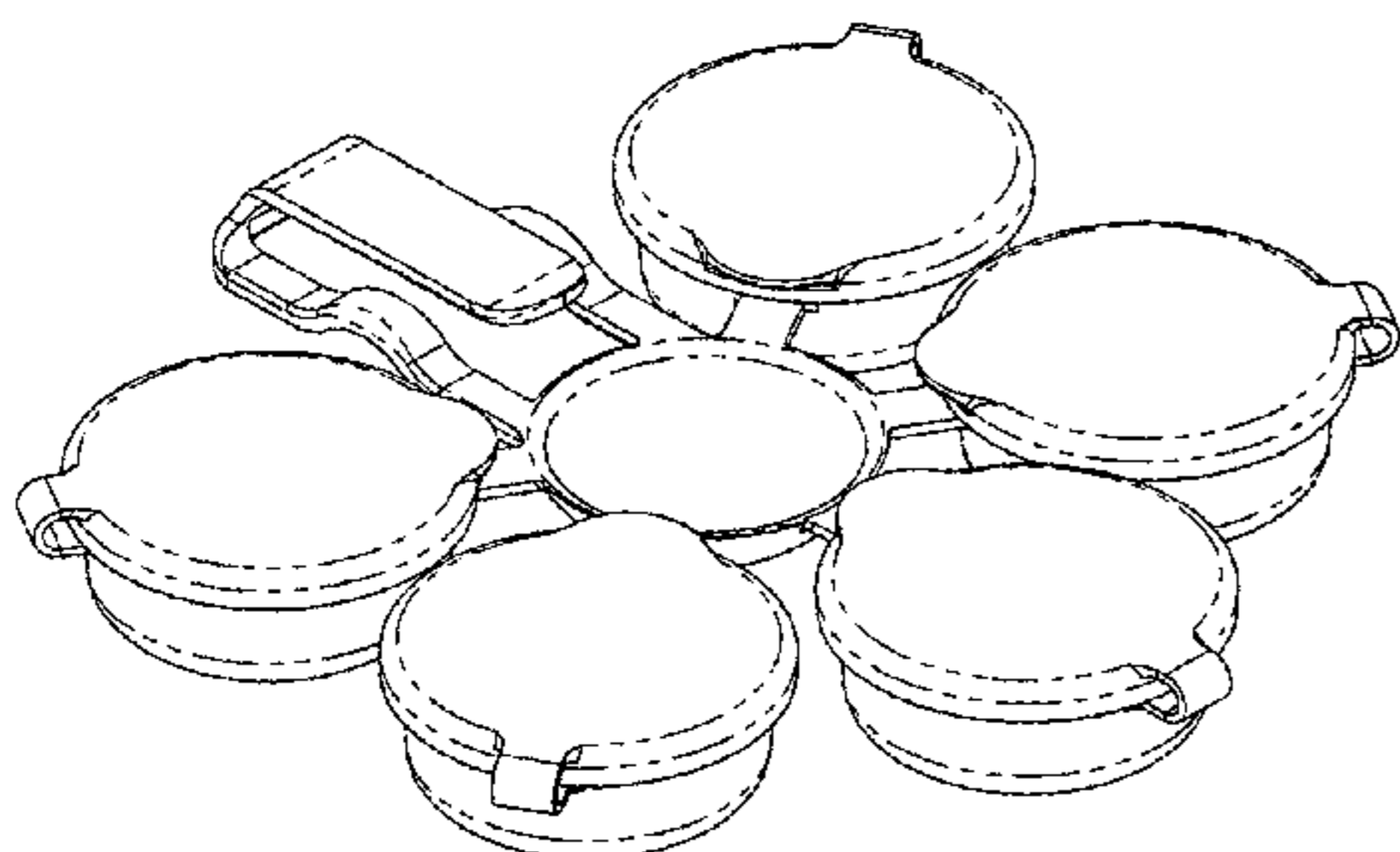
(57) **CLAIM**

The ornamental design for a clip-on spoon with individual containers, as shown and described.

DESCRIPTION

FIG. 1 is a top plan view of an ornamental design for a clip-on spoon with individual containers showing my new design;
FIG. 2 is a bottom plan view thereof;
FIG. 3 is a left side elevational view thereof, the right side being a mirror image;
FIG. 4 is a front side elevational view thereof;
FIG. 5 is a back side elevational view thereof;
FIG. 6 is an isometric view showing the top side thereof;
FIG. 7 is an isometric view showing the bottom side thereof;
and,
FIG. 8 is an isometric top view showing the containers open thereof.

1 Claim, 8 Drawing Sheets



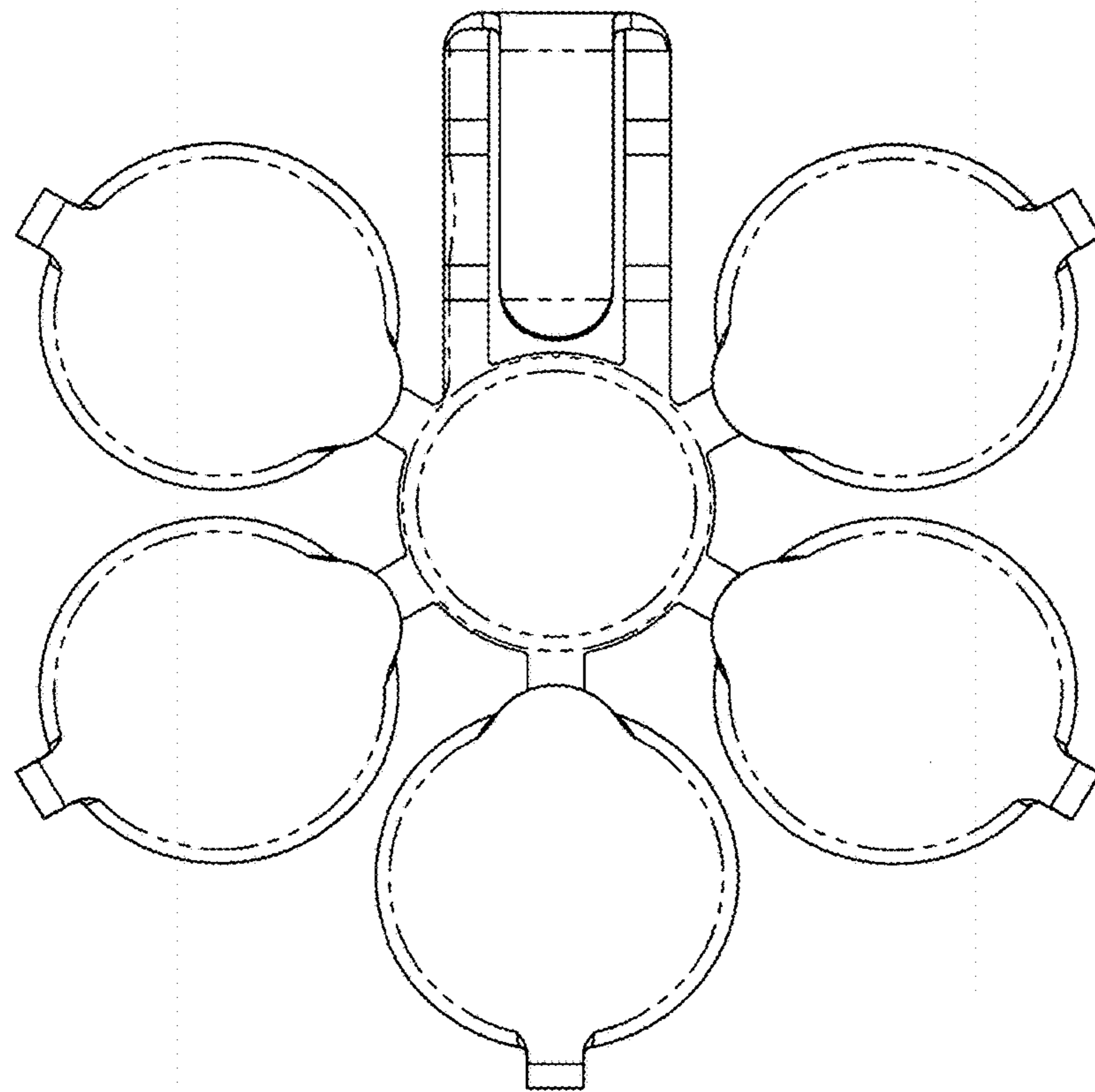


Fig. 1

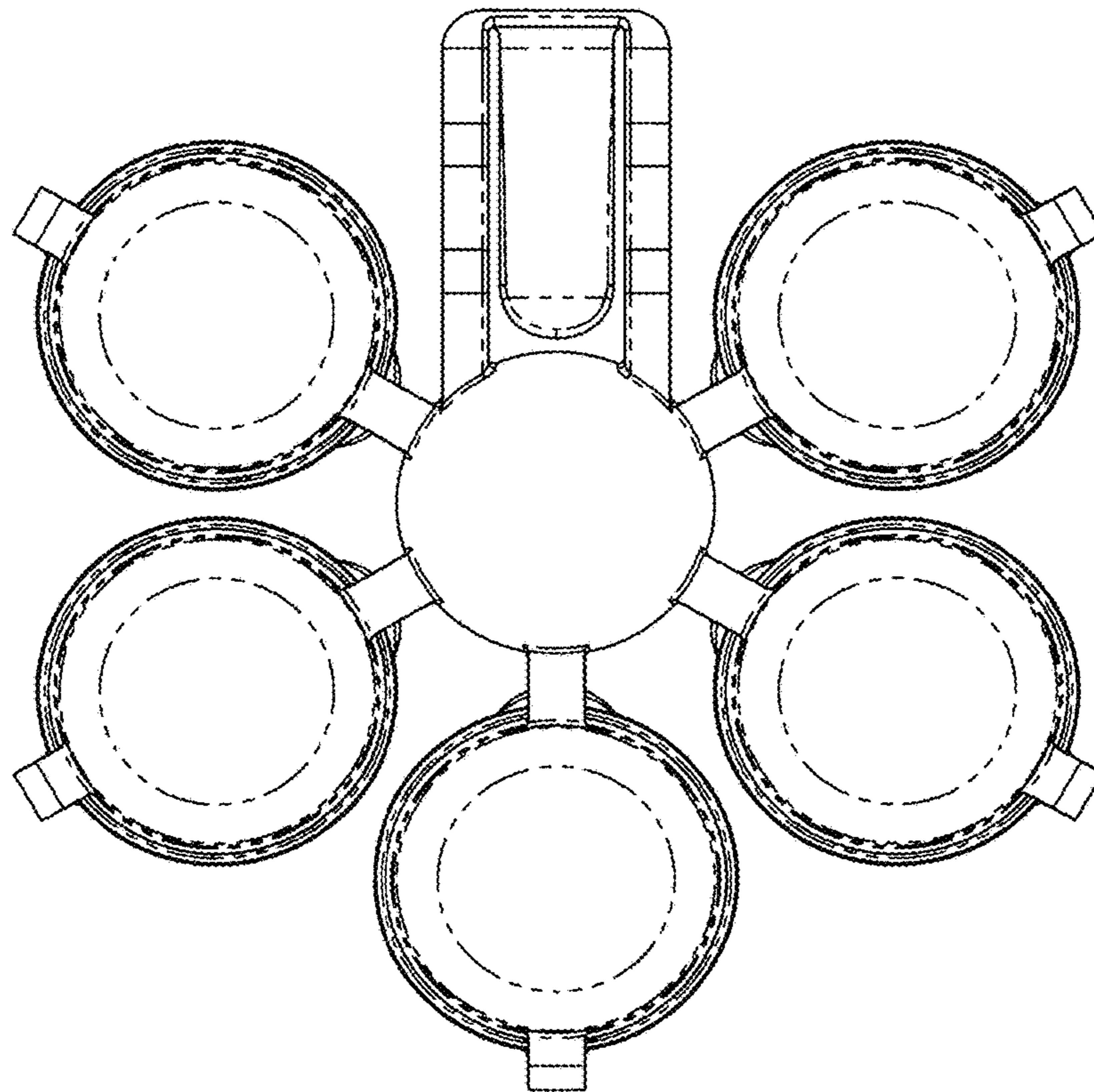


Fig. 2

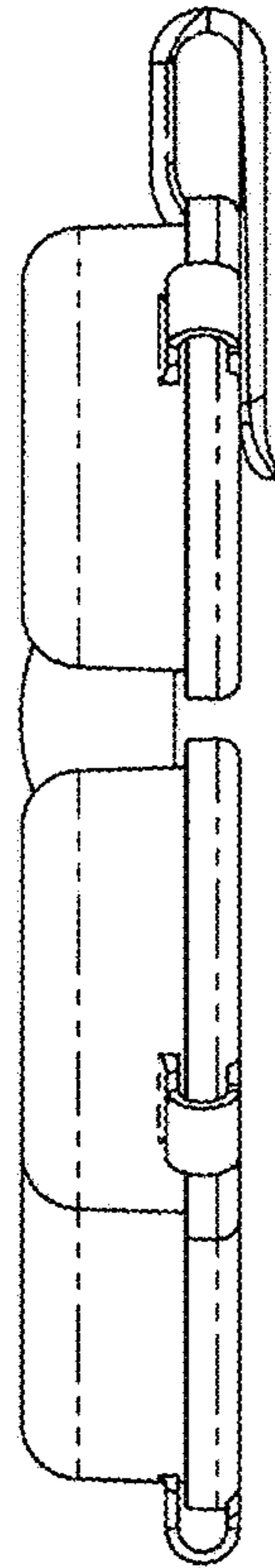


Fig. 3

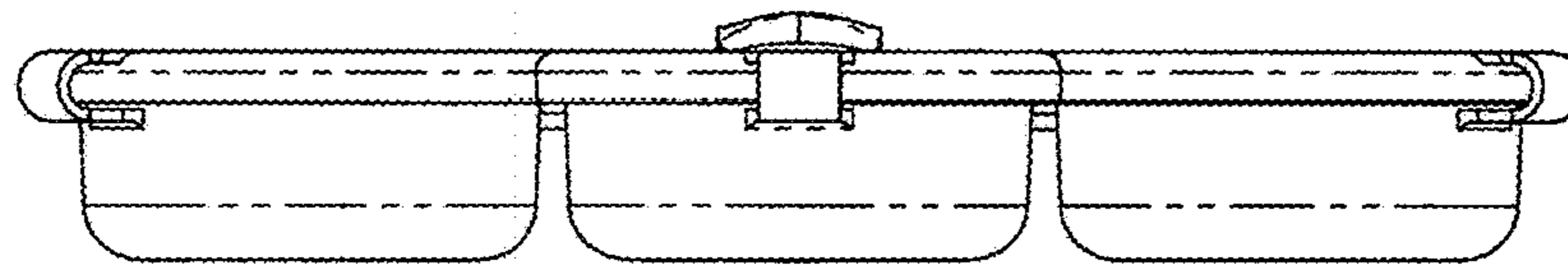


Fig. 4

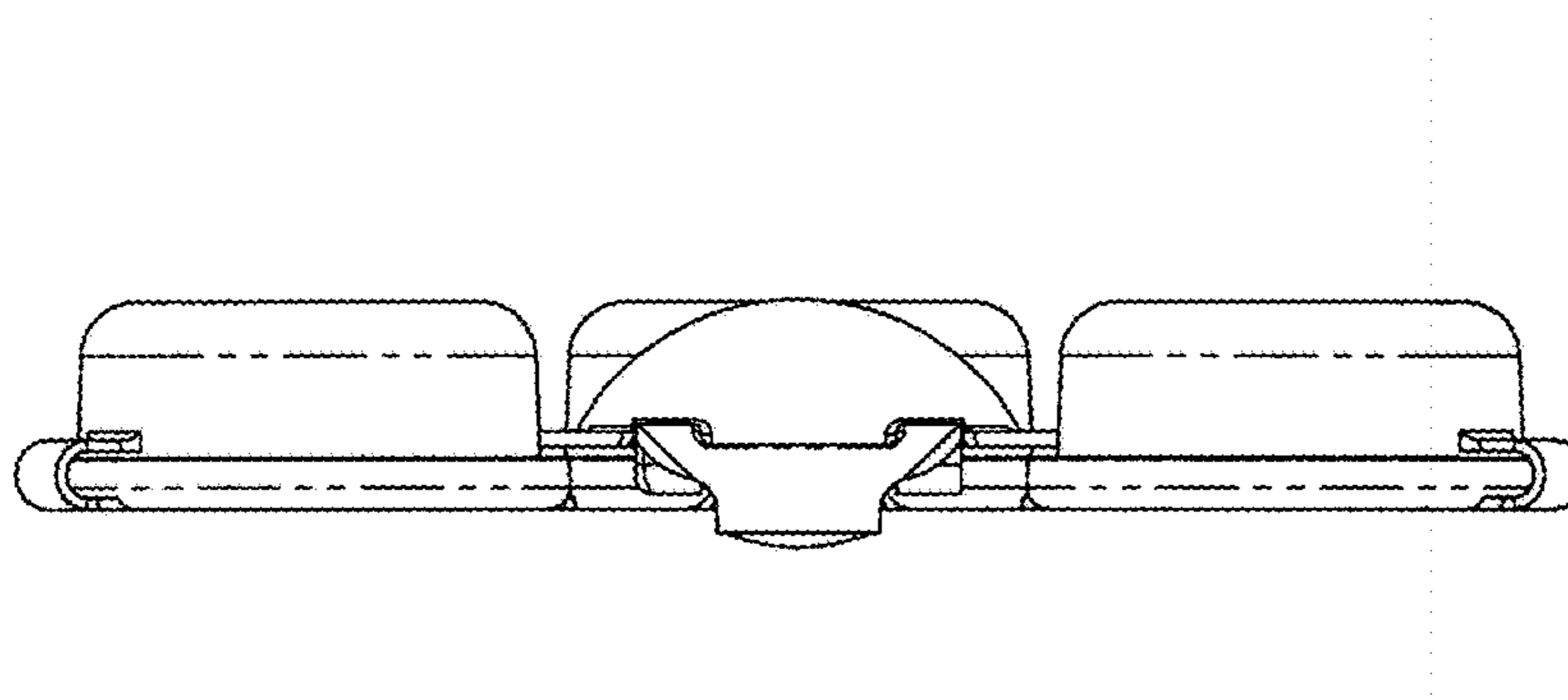


Fig. 5

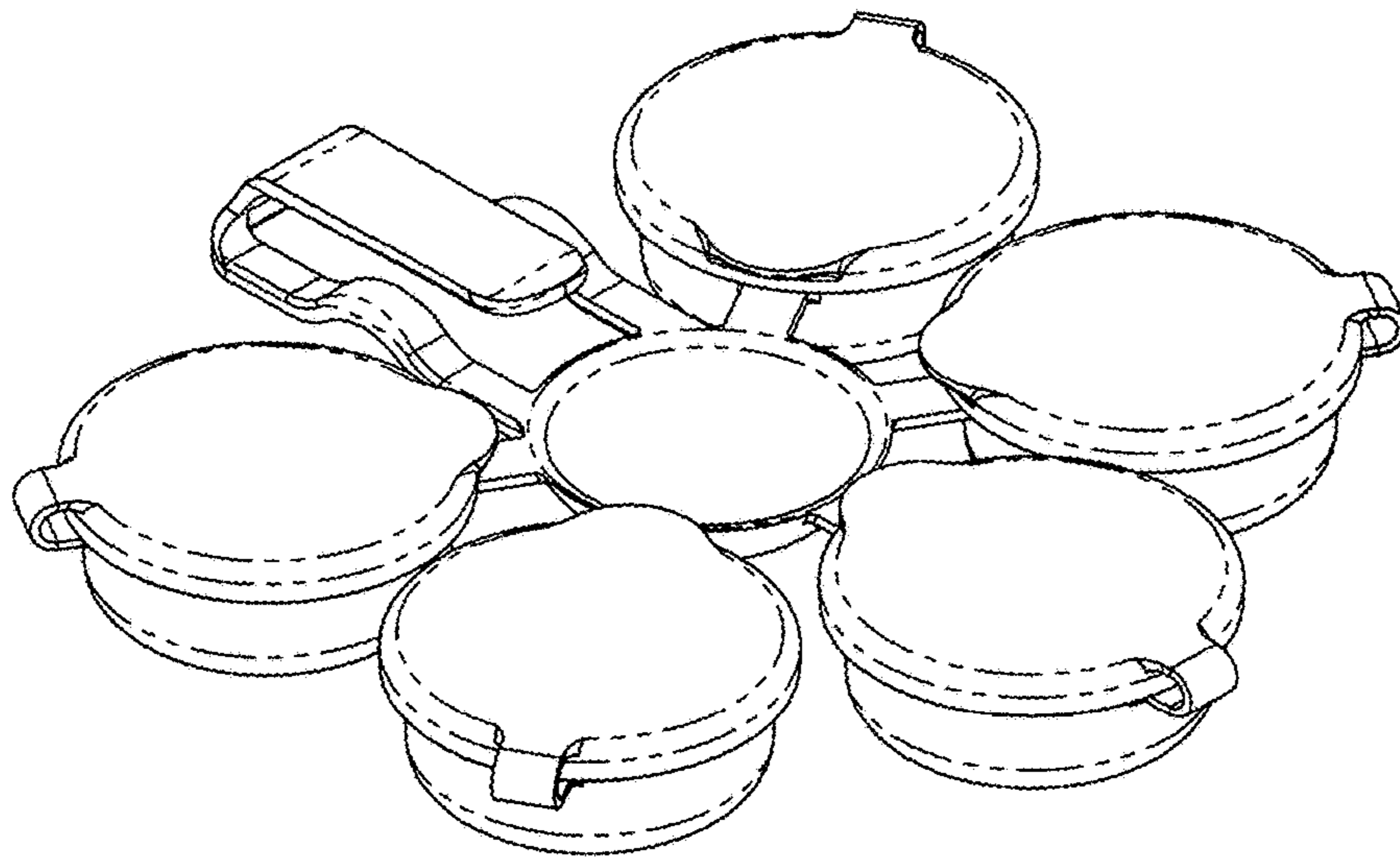


Fig. 6

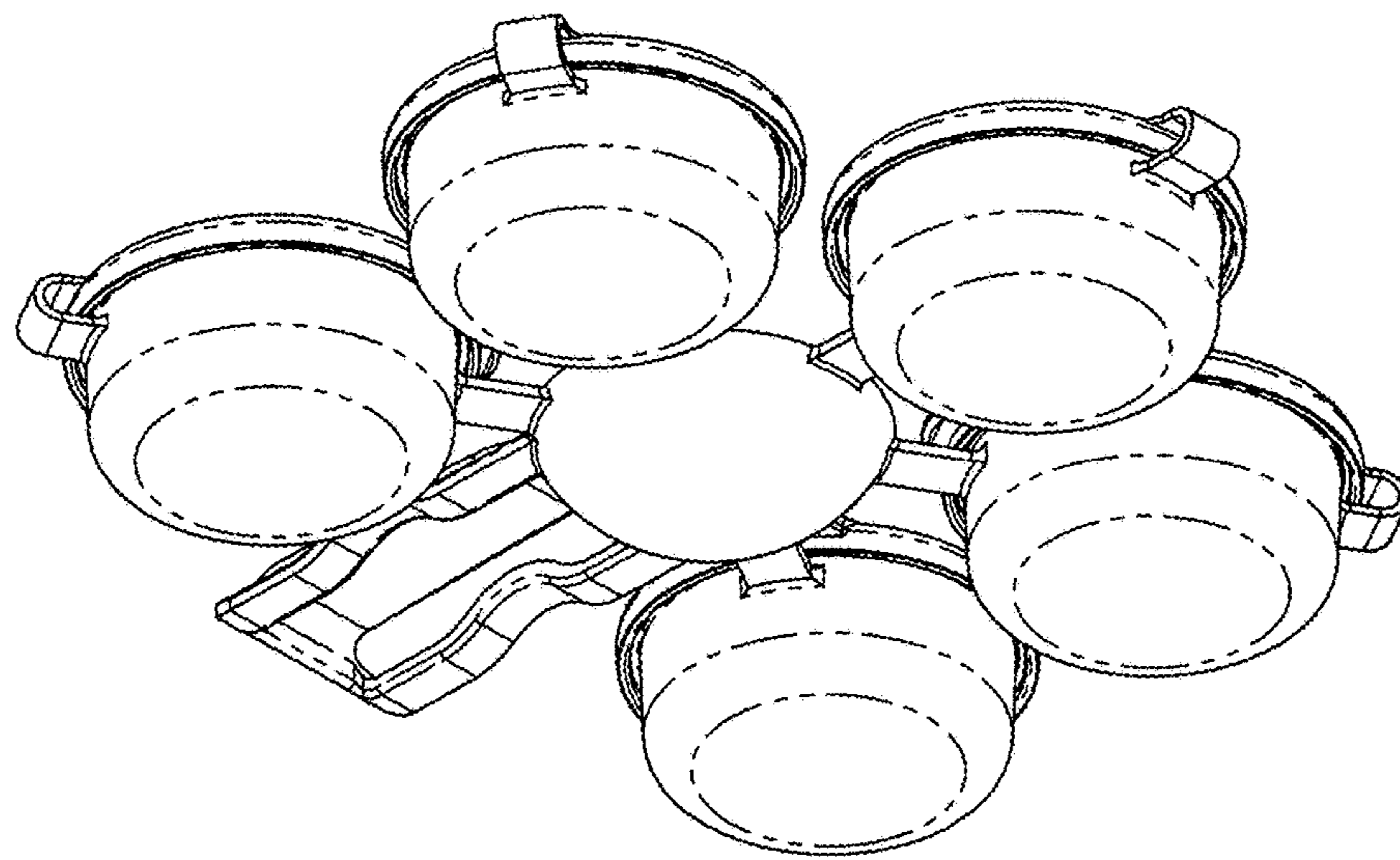


Fig. 7

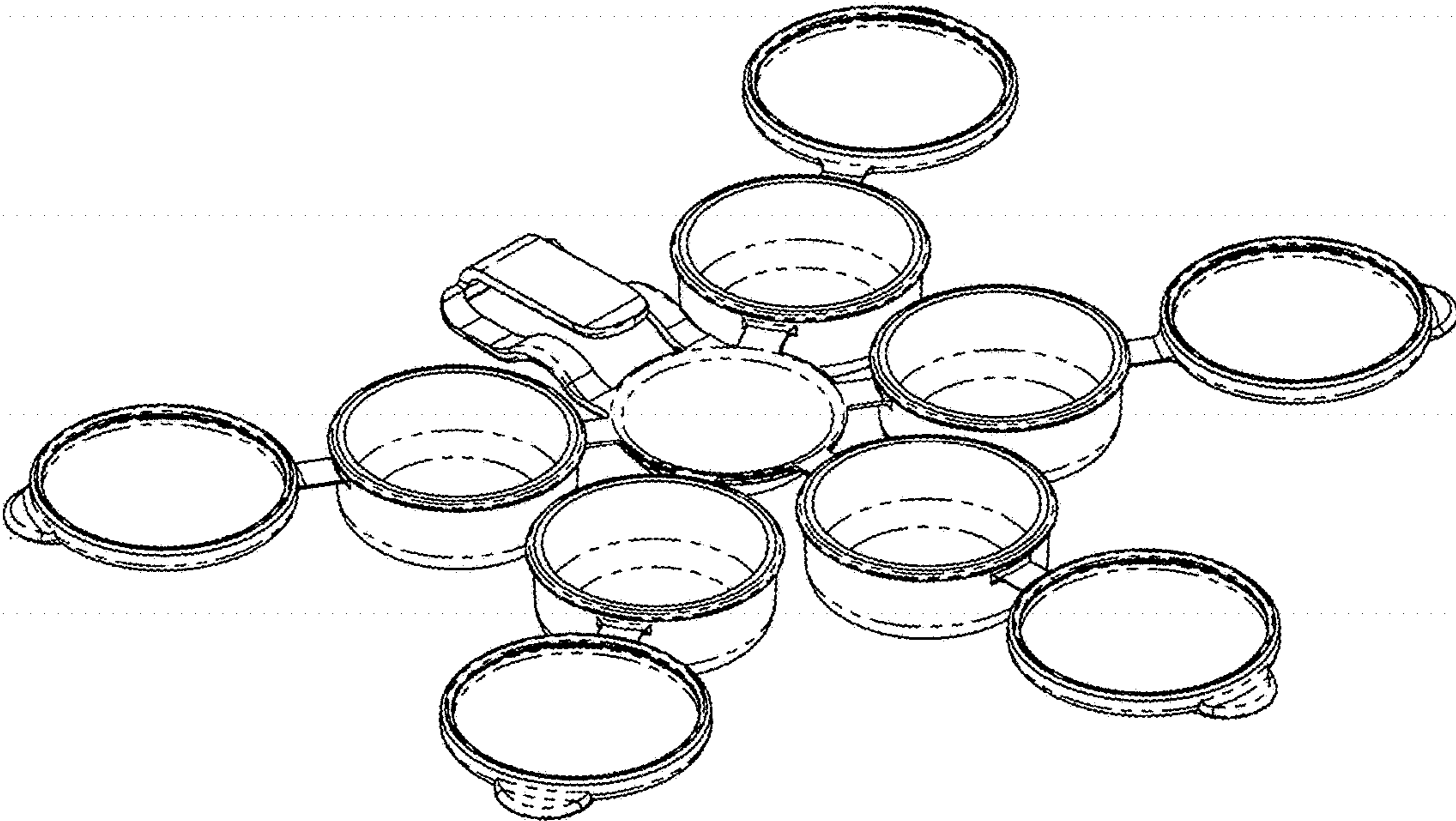


Fig. 8