

US00D844388S

(12) **United States Design Patent**
Wampold

(10) **Patent No.:** **US D844,388 S**

(45) **Date of Patent:** **** Apr. 2, 2019**

(54) **SHARK COOLER**

(71) Applicant: **BigMouth, Inc.**, Glastonbury, CT (US)

(72) Inventor: **Stephen G. Wampold**, Glastonbury, CT (US)

(73) Assignee: **BIGMOUTH, LLC**, Glastonbury, CT (US)

(**) Term: **15 Years**

(21) Appl. No.: **29/596,777**

(22) Filed: **Mar. 10, 2017**

(51) **LOC (11) Cl.** **07-01**

(52) **U.S. Cl.**
USPC **D7/606**; D21/808

(58) **Field of Classification Search**
USPC D7/605, 606, 607, 608, 509, 510, 511,
D7/523, 533, 536; D9/502, 504;
D21/808, 803

CPC A45J 41/00; A45J 41/0005; A45J 41/0011;
A45J 41/0016; A45J 41/0027; A45J
41/0061; A45J 41/0066; A45J 41/0072;
B65D 81/3837; B65D 81/3876

See application file for complete search history.

(56) **References Cited**

U.S. PATENT DOCUMENTS

D290,674 S *	7/1987	Valov	D27/134
D307,854 S *	5/1990	Doucette	D7/605
D337,486 S *	7/1993	Maggiore	D21/599
D505,377 S *	5/2005	Kurucz	D12/301
7,195,132 B1 *	3/2007	Balam	A47G 23/02 220/560
D555,747 S *	11/2007	Brown	D21/803
D697,765 S	1/2014	Wampold	
D703,008 S	4/2014	Wampold	
D703,009 S	4/2014	Wampold	
D719,409 S	12/2014	Wampold	
D720,078 S	12/2014	Wampold	

D721,182 S	1/2015	Wampold	
D725,209 S	3/2015	Wampold	
D726,273 S	4/2015	Wampold	
D727,689 S	4/2015	Wampold	
D728,113 S	4/2015	Wampold	
D737,101 S	8/2015	Wampold	
D738,687 S	9/2015	Wampold	
D741,435 S *	10/2015	Brown	D21/808
D754,245 S	4/2016	Wampold	
D759,182 S	6/2016	Wampold	

(Continued)

OTHER PUBLICATIONS

Amazon, "BigMouth Inc Super Chill Shark Beverage Bar", First review on Nov. 23, 2017. (<https://www.amazon.com/BigMouth-Inc-Super-Chill-Beverage/dp/B06XCMP5XK/>).*

(Continued)

Primary Examiner — Jennifer Rivard

Assistant Examiner — April Rivas

(74) *Attorney, Agent, or Firm* — K&L Gates LLP

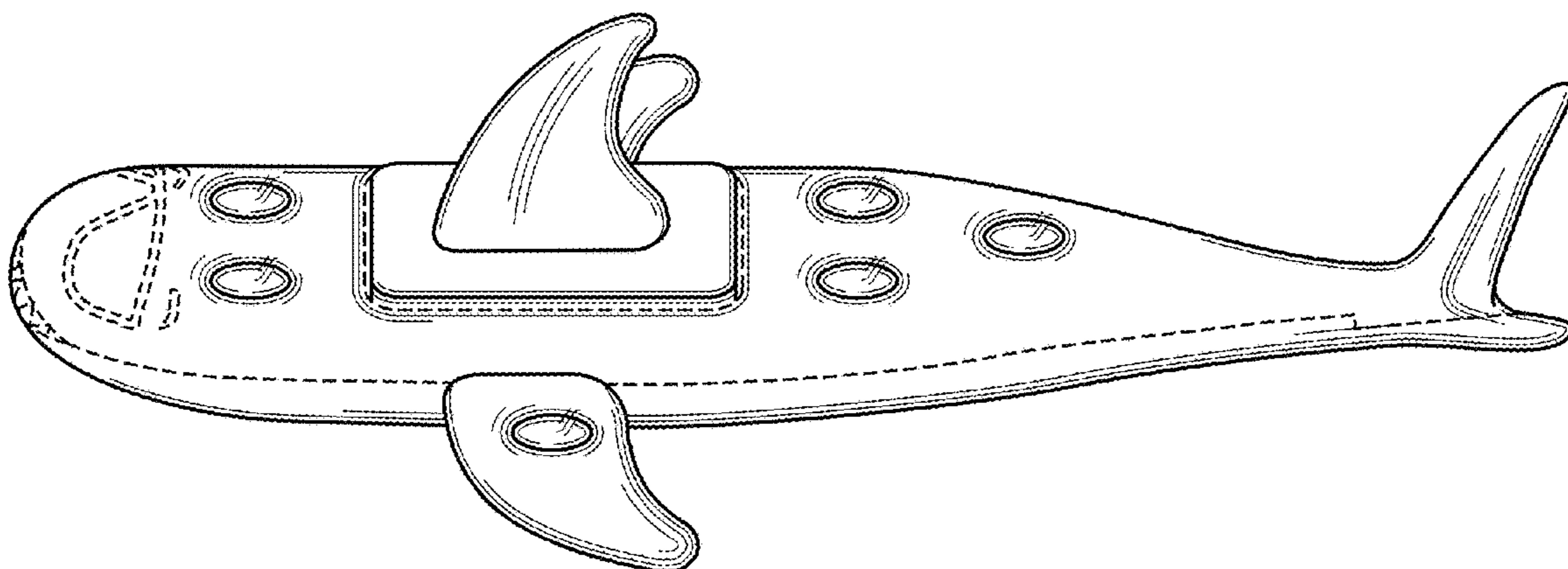
(57) **CLAIM**

The ornamental design for a shark cooler, as shown and described.

DESCRIPTION

FIG. 1 is a side top perspective view of my design;
FIG. 2 is a front view thereof;
FIG. 3 is a rear view thereof;
FIG. 4 is a left view thereof;
FIG. 5 is a right view thereof;
FIG. 6 is a top view thereof;
FIG. 7 is a bottom view thereof;
FIG. 8 is a top opened view thereof;
FIG. 9 is a rear opened view thereof; and,
FIG. 10 is a side bottom perspective view thereof.
The broken lines illustrate portions of the shark cooler and form no part of the claimed design.

1 Claim, 8 Drawing Sheets



(56)

References Cited

U.S. PATENT DOCUMENTS

D770,860 S 11/2016 Wampold
D772,012 S 11/2016 Wampold
D775,295 S 12/2016 Wampold
D775,894 S 1/2017 Wampold
D806,815 S * 1/2018 Su D21/808

OTHER PUBLICATIONS

Amazon, "Intex Mega Chill II Float Cooler", First reviewed May 31, 2013. (<https://www.amazon.com/dp/B009QUCVJI/>).*

Amazon, "CreekKooler—Outdoor Floating Cooler—30 Quart", First reviewed on Nov. 14, 2016. (<https://www.amazon.com/dp/B01LY0HPRQ/>).*

Target, "Wemco Summertime Shark Drink Float—Gray", Accessed Mar. 26, 2018. (<https://www.target.com/p/wemco-153-summertime-shark-drink-float-gray/-/A-51986914>).*

* cited by examiner

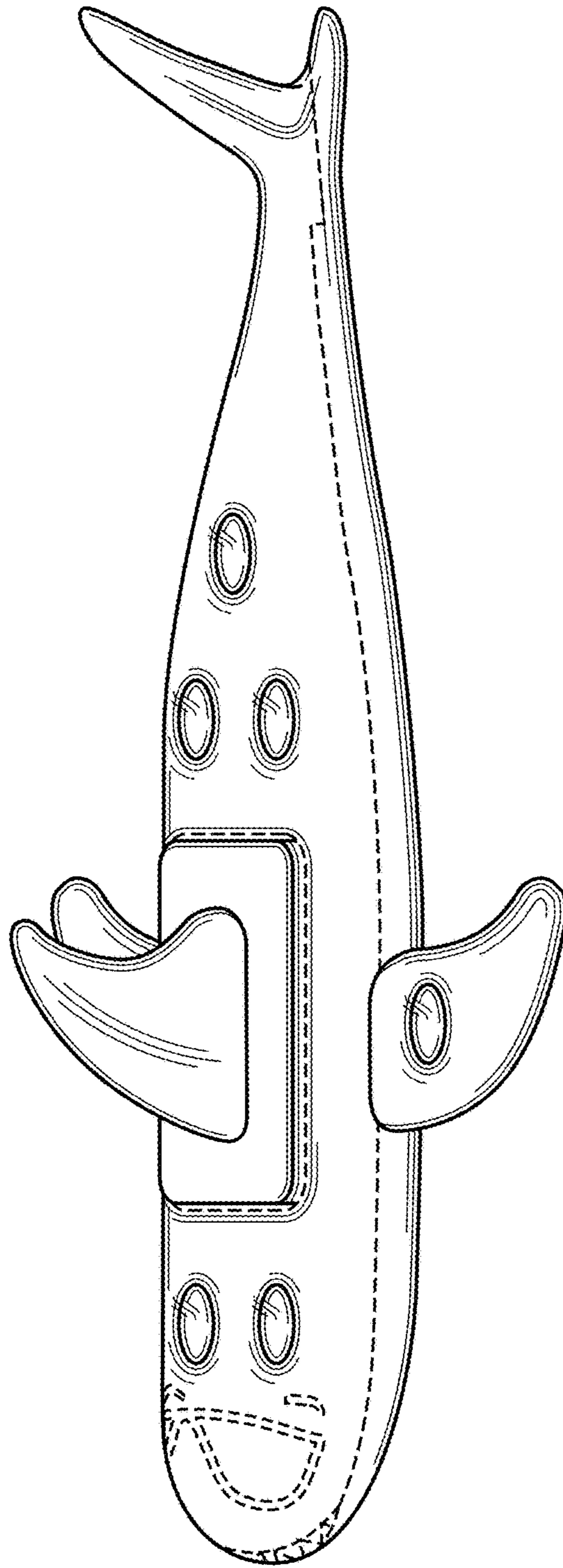


FIG. 1

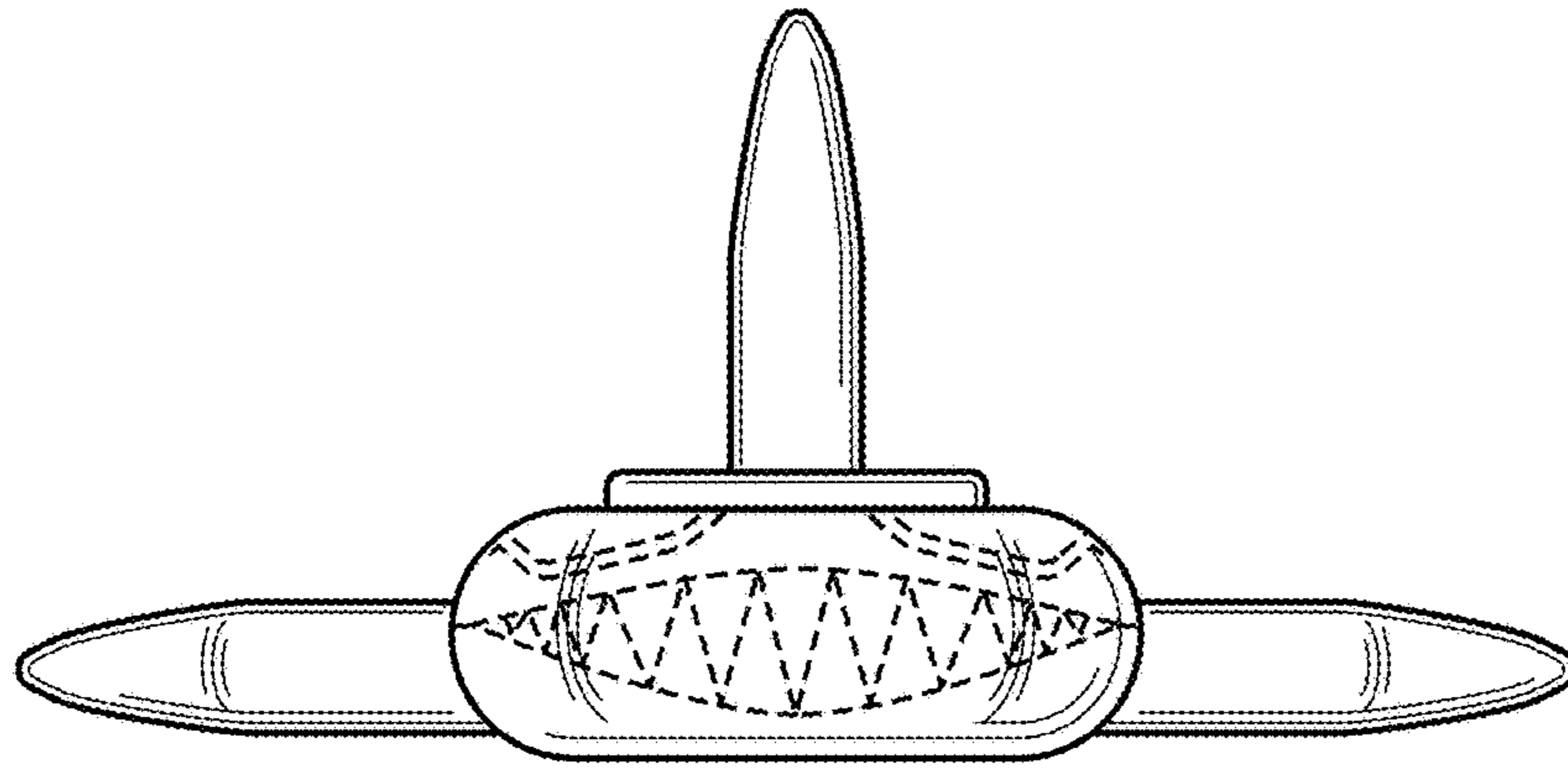


FIG. 2

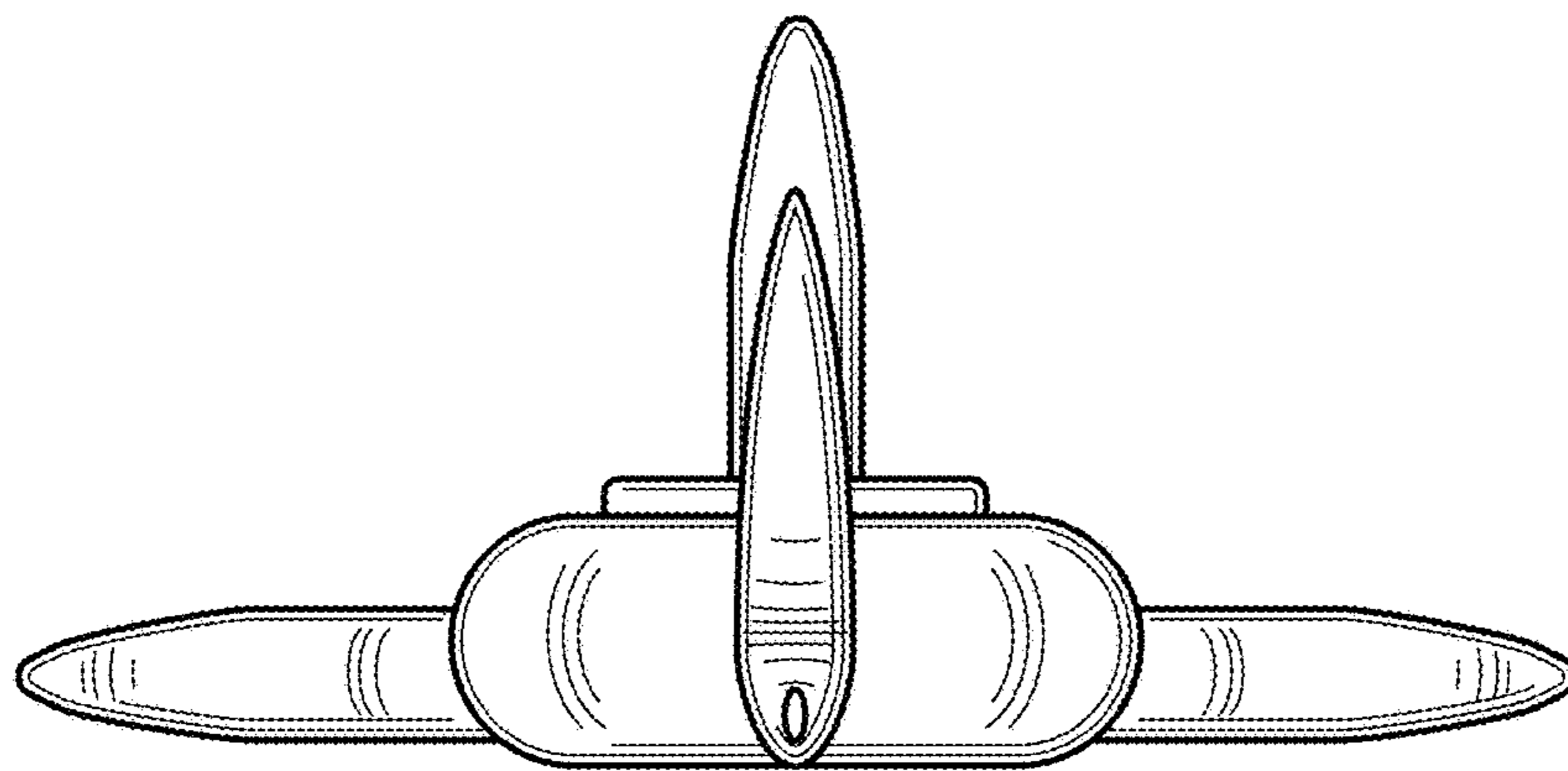


FIG. 3

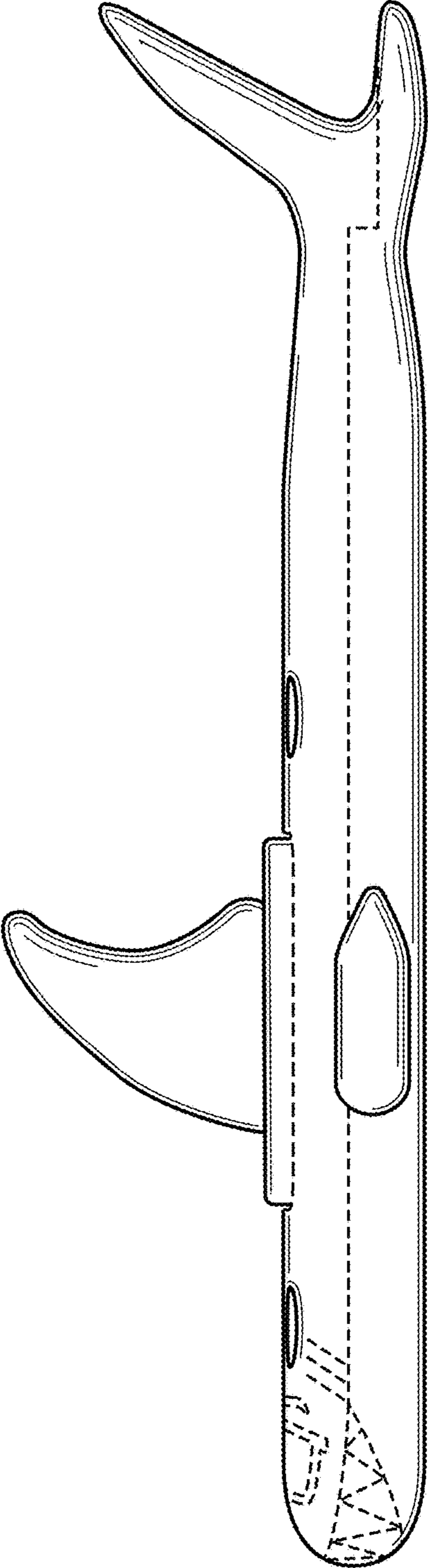


FIG. 4

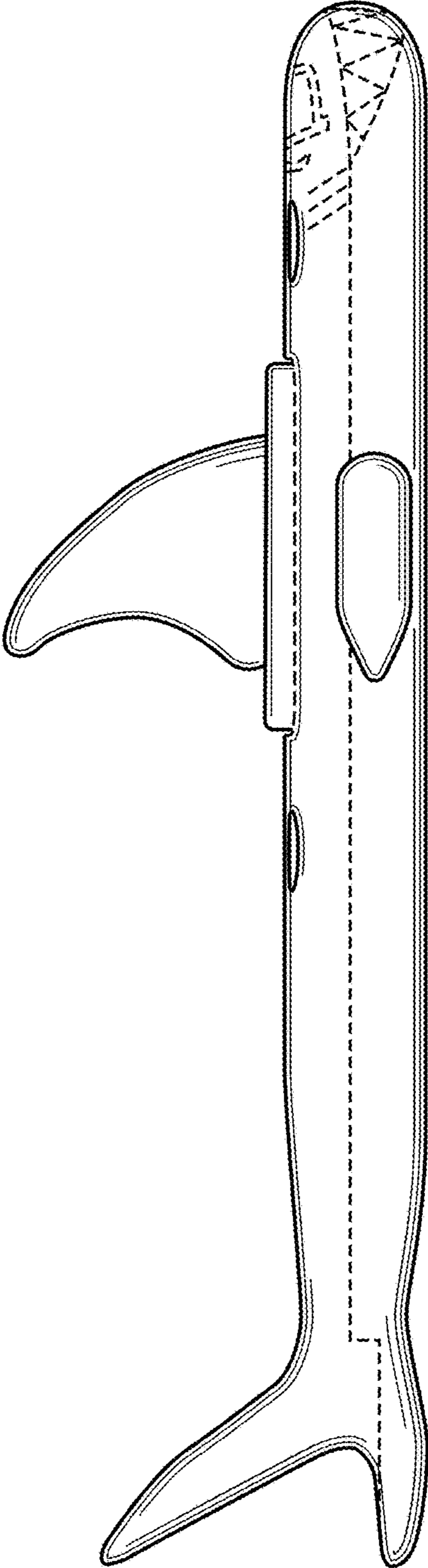


FIG. 5

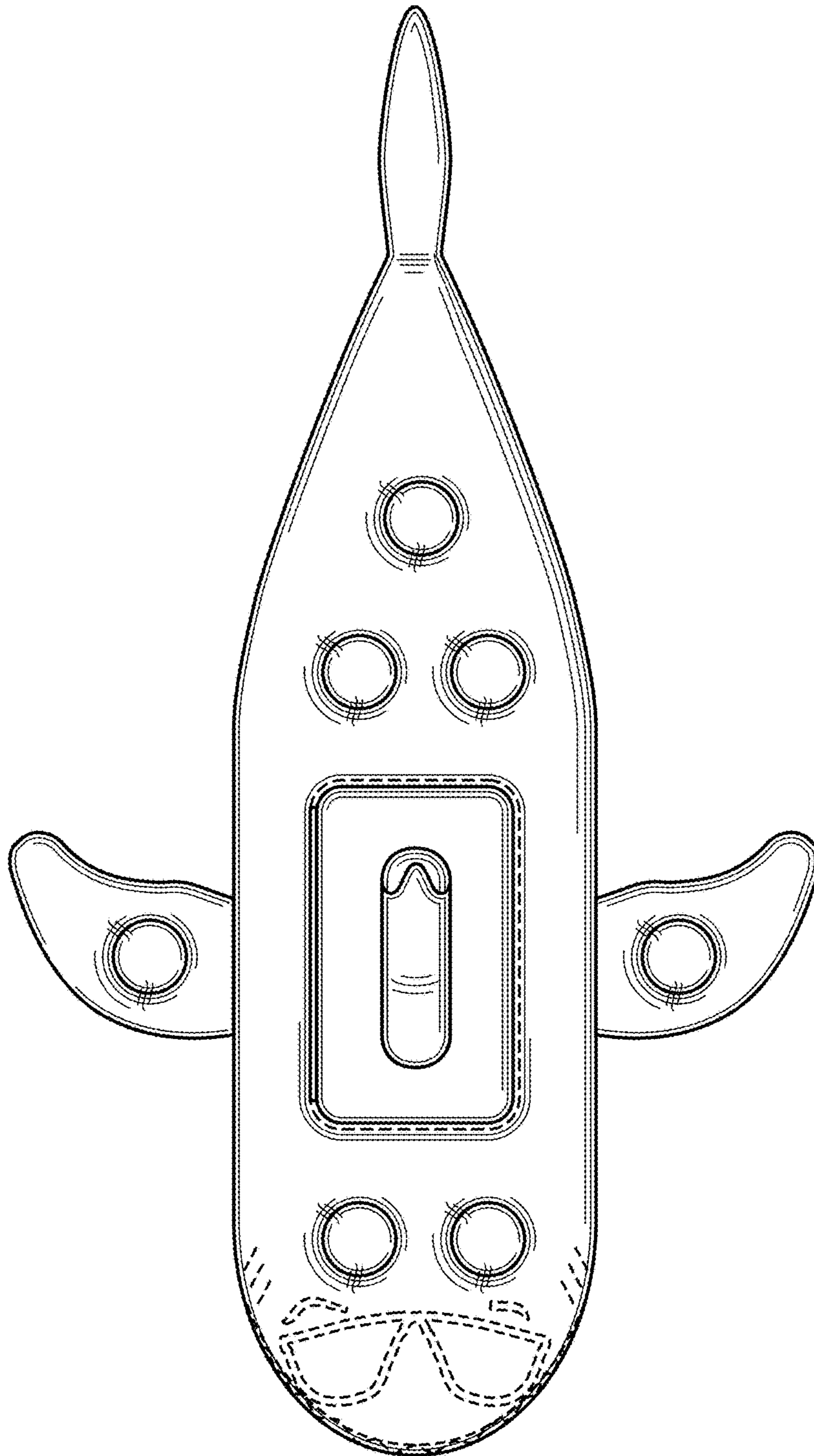


FIG. 6

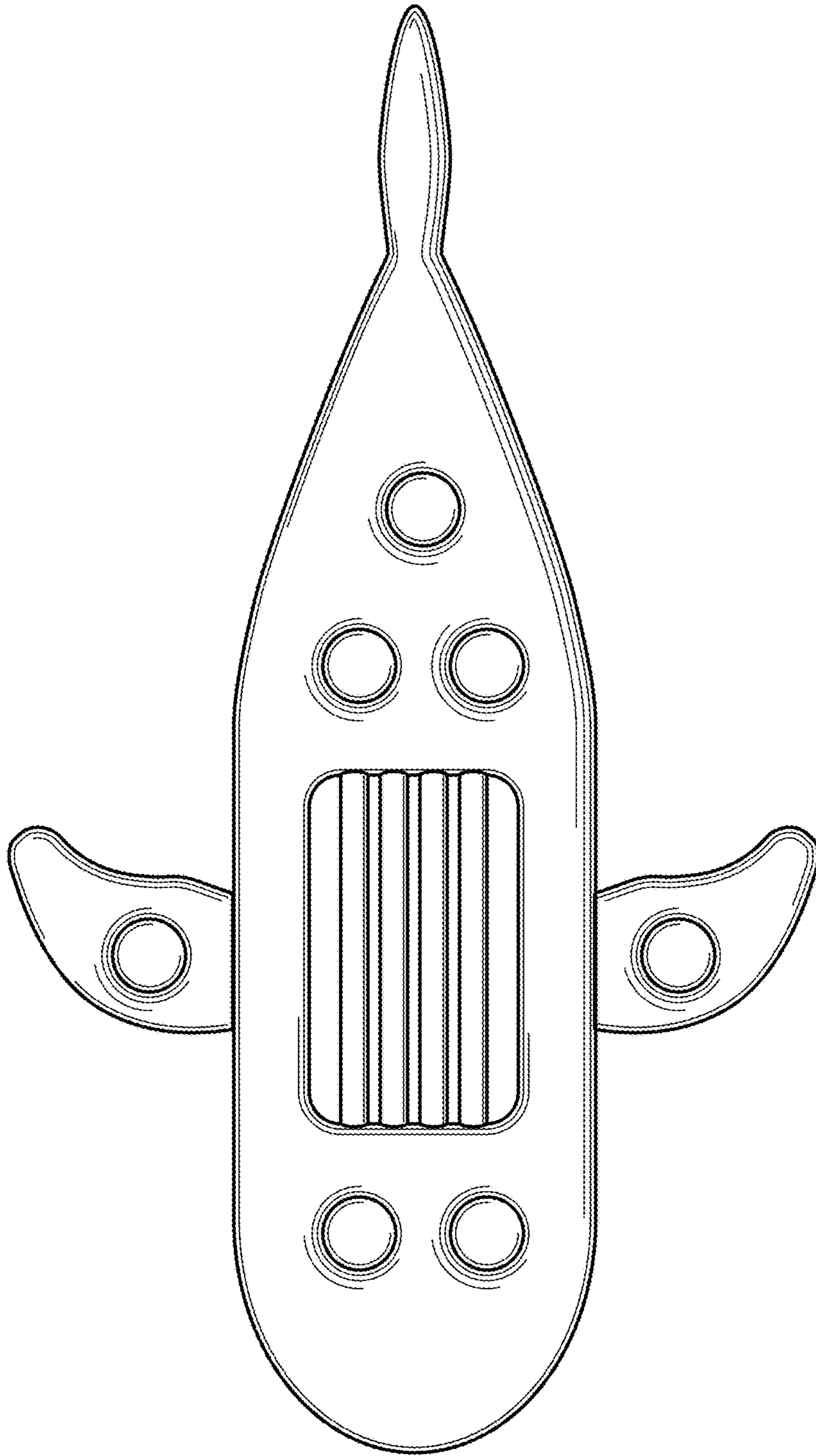


FIG. 7

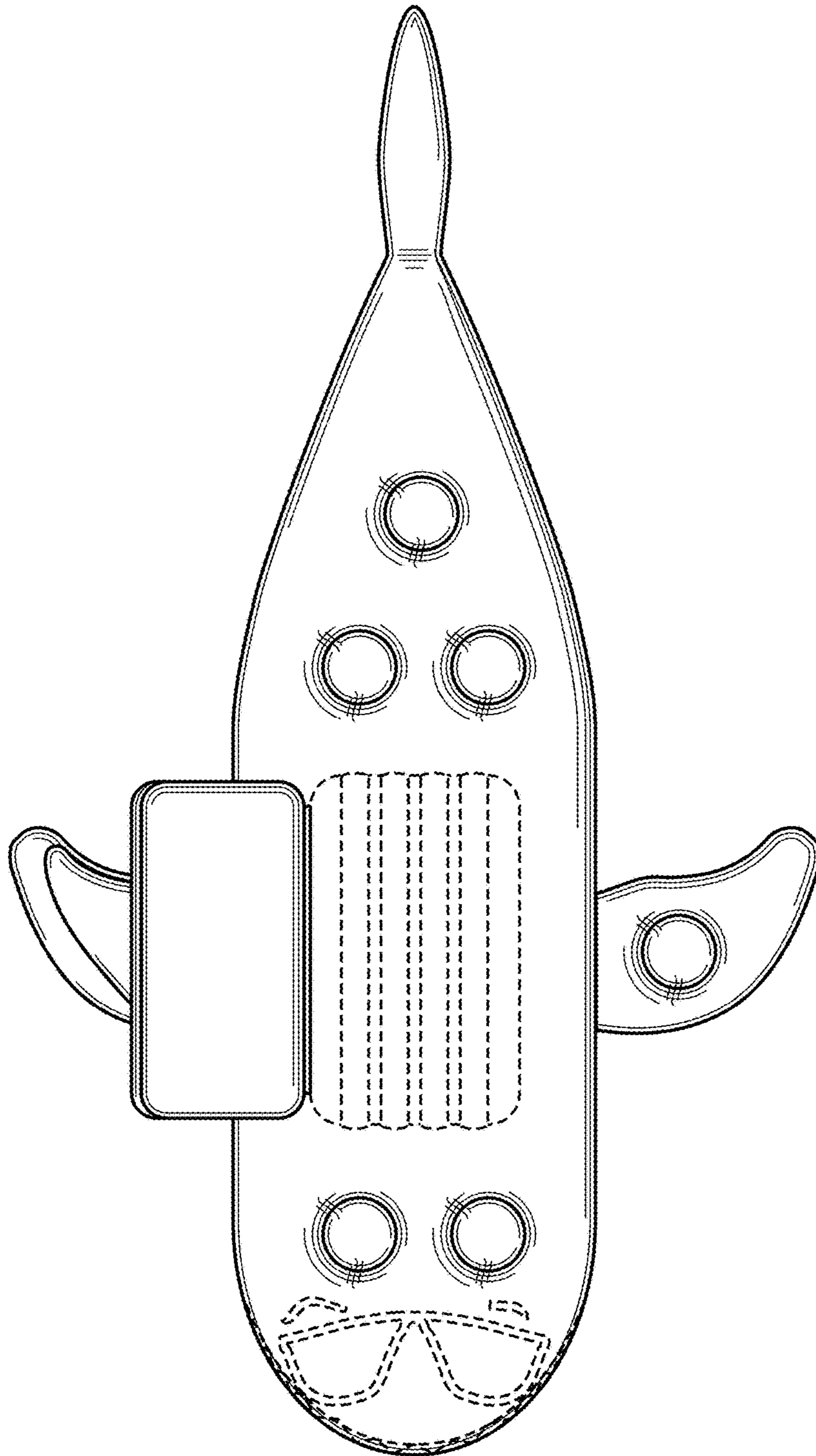


FIG. 8

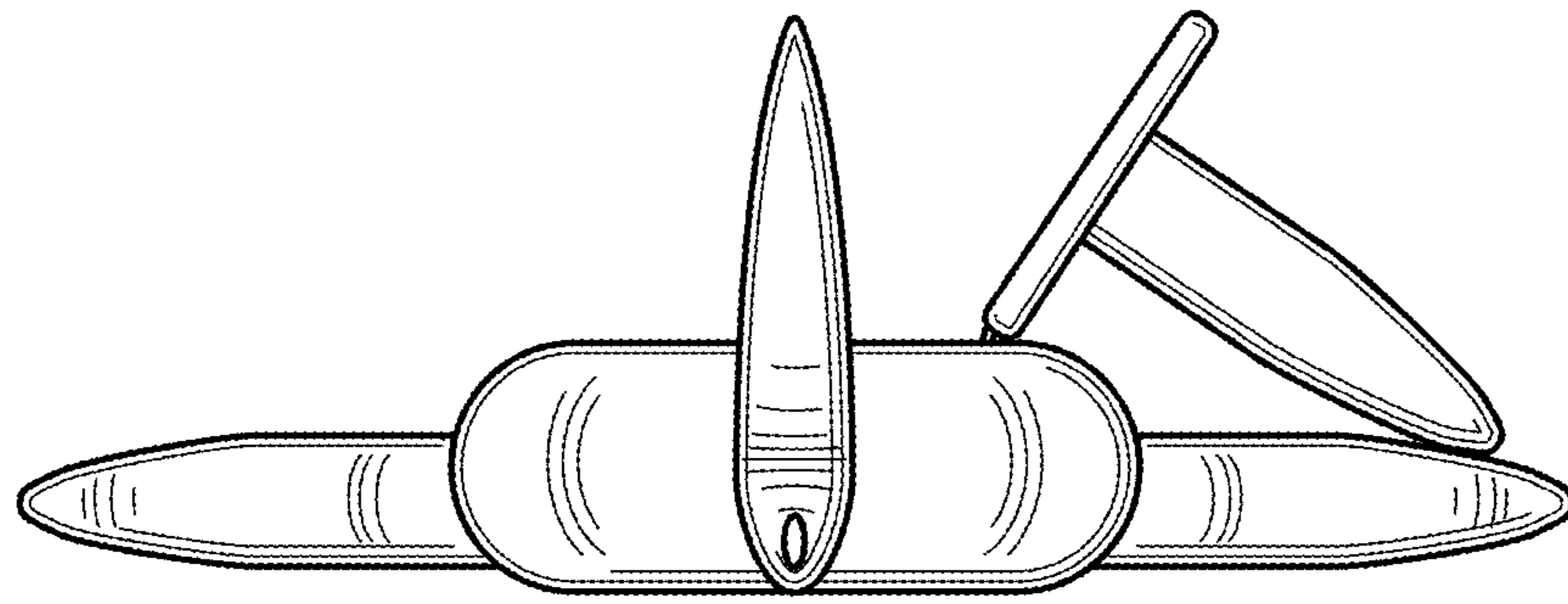


FIG. 9

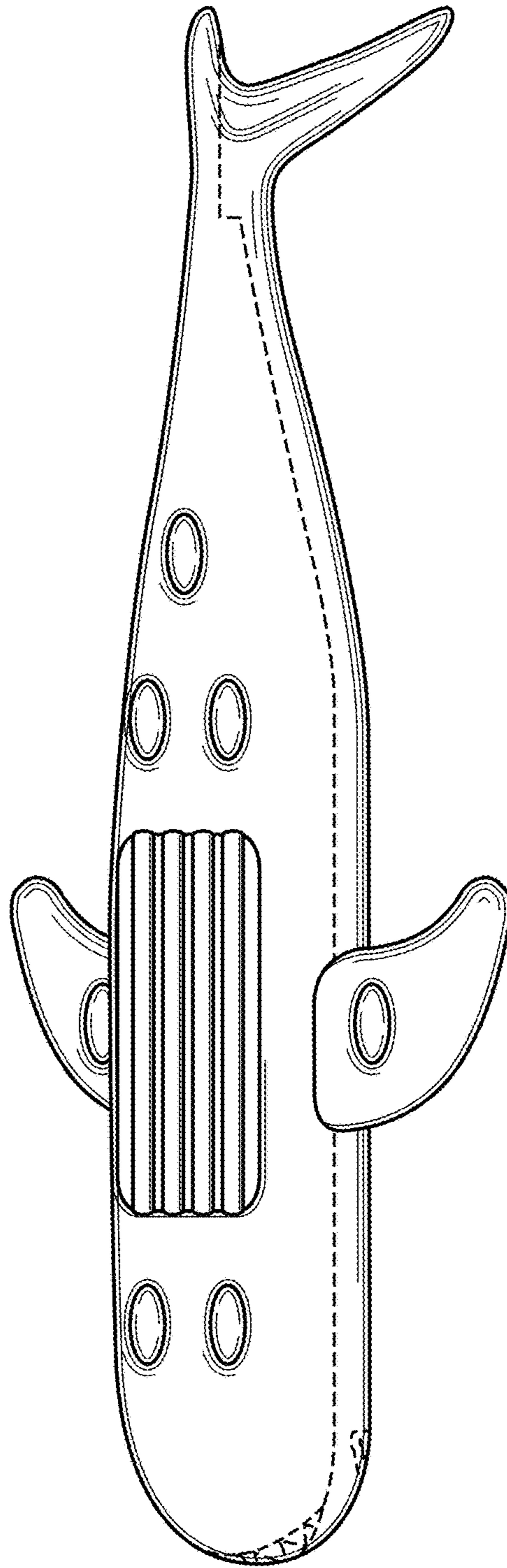


FIG. 10