



US00D844386S

(12) **United States Design Patent** (10) **Patent No.:** **US D844,386 S**  
**Ahlström et al.** (45) **Date of Patent:** **\*\* Apr. 2, 2019**

(54) **COOLER**  
(71) Applicant: **Dometic Sweden AB**, Solna (SE)  
(72) Inventors: **Joakim Ahlström**, Täby (SE); **Samuele Meda**, Solna (SE)  
(73) Assignee: **Dometic Sweden AB**, Solna (SE)  
(\*\*) Term: **15 Years**  
(21) Appl. No.: **29/628,767**  
(22) Filed: **Dec. 7, 2017**

D451,765 S \* 12/2001 Israel ..... D7/605  
6,474,097 B2 11/2002 Treppedi et al.  
D497,517 S 10/2004 Reuter  
D500,057 S 12/2004 Reuter  
7,143,601 B1 12/2006 Jimenez  
D534,771 S 1/2007 Zorn  
D545,633 S \* 7/2007 Hussaini ..... D7/605  
(Continued)

**FOREIGN PATENT DOCUMENTS**

AU 201712770 5/2017  
AU 201712799 5/2017  
(Continued)

**OTHER PUBLICATIONS**

Design U.S. Appl. No. 15/819,950 entitled "Cooler" filed Nov. 21, 2017.  
(Continued)

*Primary Examiner* — Terry A Wallace  
(74) *Attorney, Agent, or Firm* — Middleton Reutlinger

**Related U.S. Application Data**

(62) Division of application No. 29/585,272, filed on Nov. 22, 2016, now Pat. No. Des. 820,049.  
(51) **LOC (11) Cl.** ..... **07-01**  
(52) **U.S. Cl.**  
USPC ..... **D7/605**  
(58) **Field of Classification Search**  
USPC ..... D7/603–608, 629, 630; D3/272–274,  
D3/201, 203.1–203.8, 202  
CPC ..... F25D 3/14; F25D 3/08; F25D 3/16; F25D  
2331/804; F45F 3/16; A47J 41/022;  
A47G 19/2288; A45C 9/00; A45C 11/20;  
B65D 81/3813; B65D 81/3823; B65D  
81/3888; B65D 81/389; B65D 81/3816  
See application file for complete search history.

(57) **CLAIM**  
The ornamental design for a cooler, as shown and described.

**DESCRIPTION**

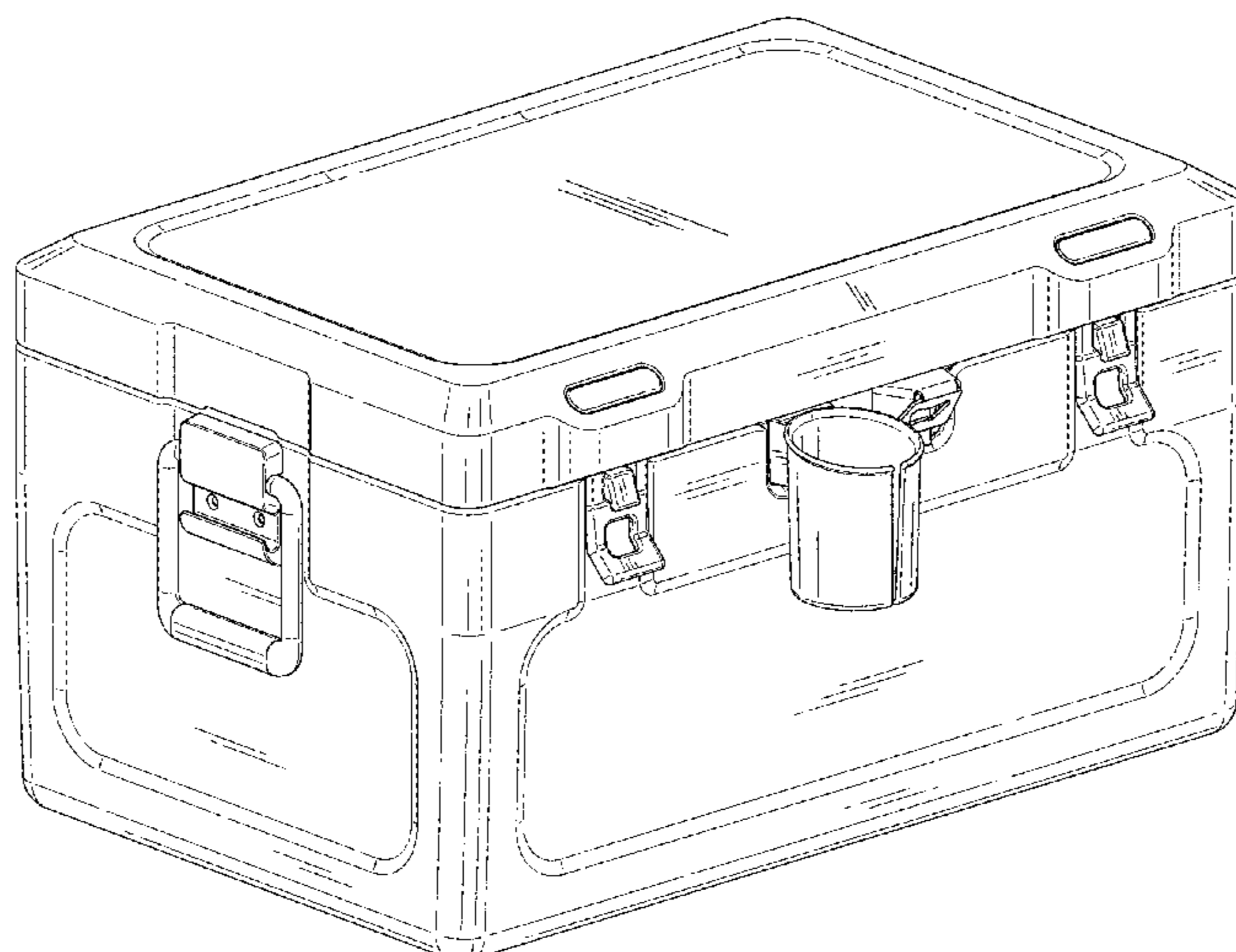
Cross-reference is made to U.S. Design patent application Ser. No. 29/585,279 entitled "Latch", filed on Nov. 22, 2016 and are expressly incorporated herein by reference.  
FIG. 1 is a front perspective view of a design of a cooler;  
FIG. 2 is a front elevation view of the design of FIG. 1;  
FIG. 3 is a rear elevation view of the design of FIG. 1;  
FIG. 4 is a top plan view of the design of FIG. 1;  
FIG. 5 is a bottom plan view of the design of FIG. 1;  
FIG. 6 is a right side elevation view of the design of FIG. 1;  
and,  
FIG. 7 is a left side elevation view of the design of FIG. 1.

(56) **References Cited**

**U.S. PATENT DOCUMENTS**

4,024,731 A \* 5/1977 Branscum ..... B65D 81/3823  
215/385  
5,407,218 A 4/1995 Jackson  
5,676,296 A 10/1997 Masters  
5,860,281 A 1/1999 Coffee et al.  
D429,606 S \* 8/2000 Israel ..... D7/605  
D429,966 S \* 8/2000 Israel ..... D7/605

**1 Claim, 7 Drawing Sheets**



(56)

References Cited

U.S. PATENT DOCUMENTS

D566,633 S 4/2008 Kabalin  
 7,415,794 B1 8/2008 Thompson  
 7,913,849 B2 3/2011 Pedrazzi et al.  
 D652,262 S \* 1/2012 Yang ..... D7/605  
 8,104,800 B2 1/2012 Lorek  
 8,312,816 B2 11/2012 Vaccarella  
 8,356,712 B2 \* 1/2013 Piazza, Jr. .... A45C 9/00  
 108/14  
 9,163,871 B1 10/2015 Costello  
 9,220,250 B1 12/2015 Davis  
 9,232,290 B2 1/2016 Besay  
 9,320,938 B1 4/2016 Belmore  
 9,366,467 B2 \* 6/2016 Kiedaisch ..... F25D 3/00  
 D792,486 S 7/2017 Li et al.  
 D802,028 S 11/2017 Li  
 D802,029 S 11/2017 Li  
 D802,630 S 11/2017 Li et al.  
 2011/0226785 A1 9/2011 Sakell  
 2013/0062356 A1 \* 3/2013 Deka ..... B65D 81/3823  
 220/592.25  
 2014/0338390 A1 11/2014 Pinto et al.  
 2015/0000318 A1 1/2015 Pinto et al.  
 2015/0008242 A1 1/2015 Kpabar  
 2015/0021106 A1 1/2015 LaRosa  
 2015/0060470 A1 \* 3/2015 Seiders ..... B65D 81/3816  
 292/194  
 2015/0114024 A1 4/2015 Grepper  
 2015/0241107 A1 8/2015 Mech  
 2016/0101924 A1 4/2016 Mitchell et al.  
 2017/0023290 A1 1/2017 DeMuth et al.

FOREIGN PATENT DOCUMENTS

AU 201712802 5/2017  
 AU 201712803 5/2017  
 EM 004006476-0001 5/2017

EM 004006476-0002 5/2017  
 EM 004006476-0003 5/2017  
 EM 004007706-0001 5/2017  
 EM 004007706-0002 5/2017

OTHER PUBLICATIONS

Transmittal Letter of Related Cases.  
 Dometic CF Portable Coolers, Dometic Product Catalog 2016.  
 Dometic RV Refrigeration, Portable Freezers/Refrigerators, Dometic Product Catalog 2015.  
 Chinese Design Patent Application No. 201730180150 entitled "Latch" filed May 16, 2017.  
 Chinese Design Patent Application No. 201730180148.2 entitled "Refrigerating Apparatus" filed May 16, 2017.  
 European Design Patent Application No. 003482694 entitled "Cooler" filed Nov. 25, 2016.  
 Thailand Design Patent Application No. 1702001859 entitled "Cooler" filed May 22, 2017.  
 Design U.S. Appl. No. 29/585,279 entitled "Latch" filed Nov. 22, 2016.  
 Design U.S. Appl. No. 29/604,424 entitled Cooler filed May 17, 2017.  
 Design U.S. Appl. No. 29/604,426 entitled Cooler filed May 17, 2017.  
 Design U.S. Appl. No. 29/605,186 entitled Refrigerating Apparatus filed May 24, 2017.  
 Design U.S. Appl. No. 29/585,272 entitled Cooler filed Nov. 22, 2016.  
 Australian Patent Application No. AU201716789 filed Nov. 8, 2017.  
 Australian Patent Application No. AU201716791 filed Nov. 8, 2017.  
 U.S. Patent and Trademark Office, Restriction Requirement for U.S. Appl. No. 29/585,272 dated Oct. 2, 2017.  
 U.S. Patent and Trademark Office, Notice of Allowance for U.S. Appl. No. 29/585,272 dated Jan. 26, 2018.

\* cited by examiner

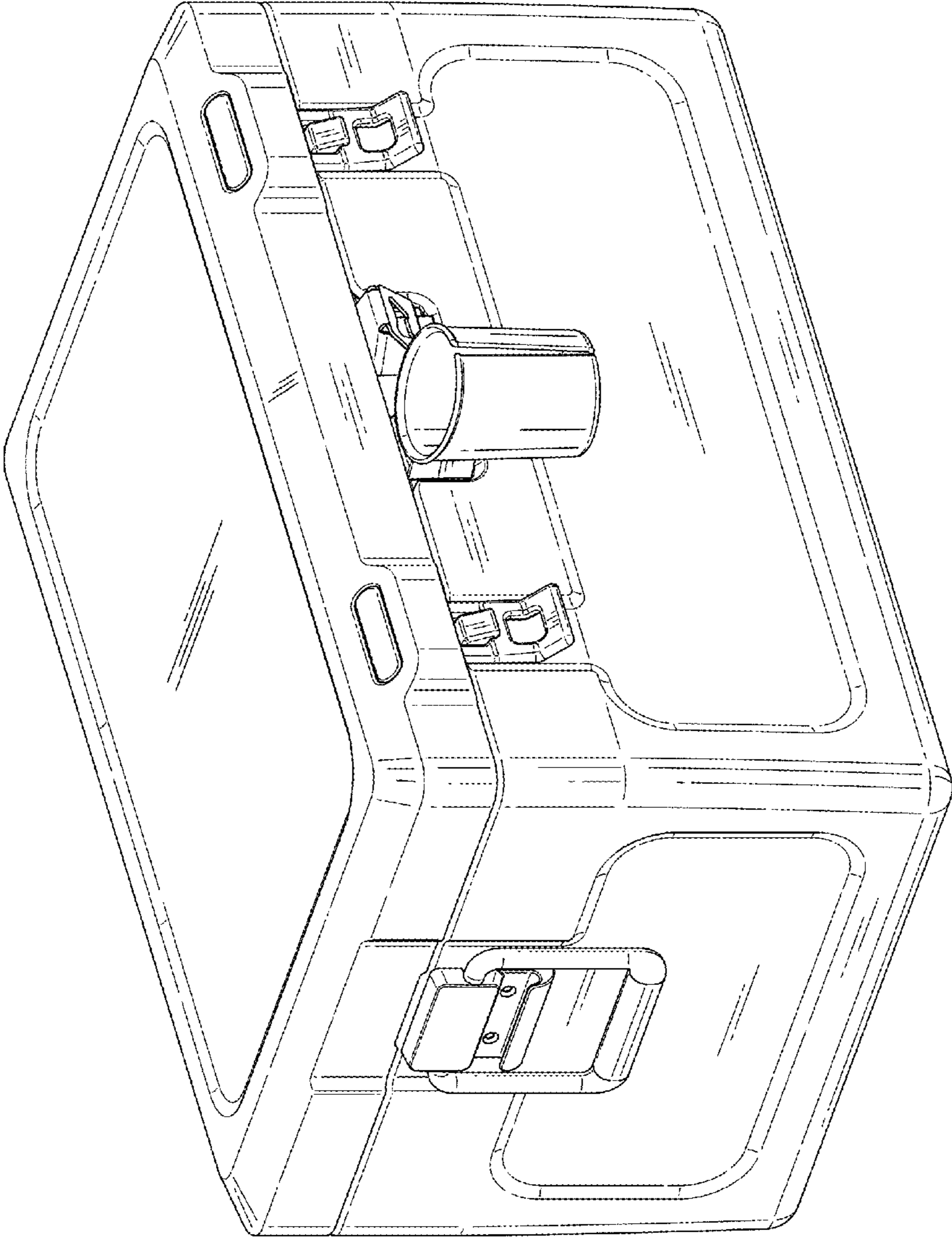


FIG. 1

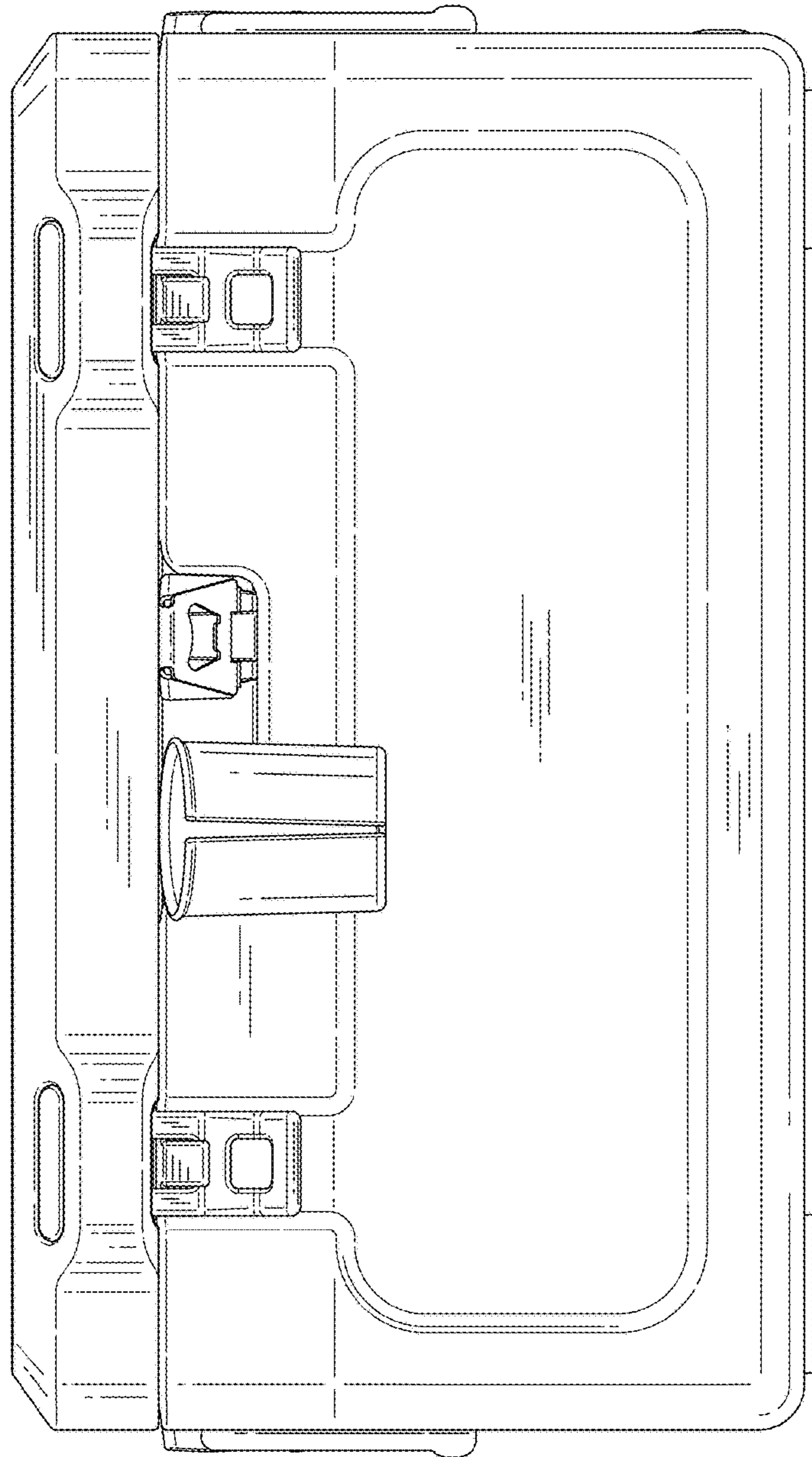


FIG. 2

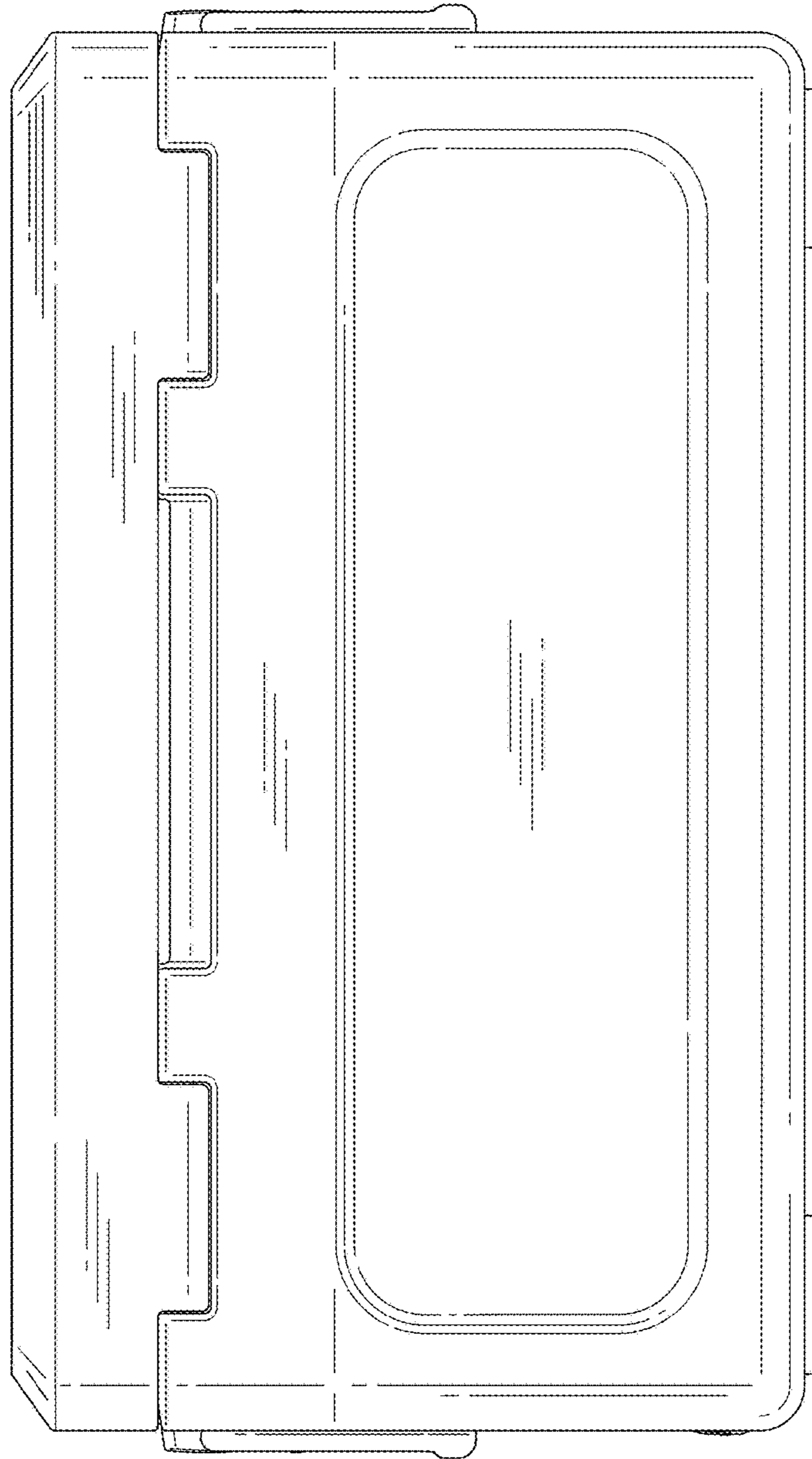


FIG. 3

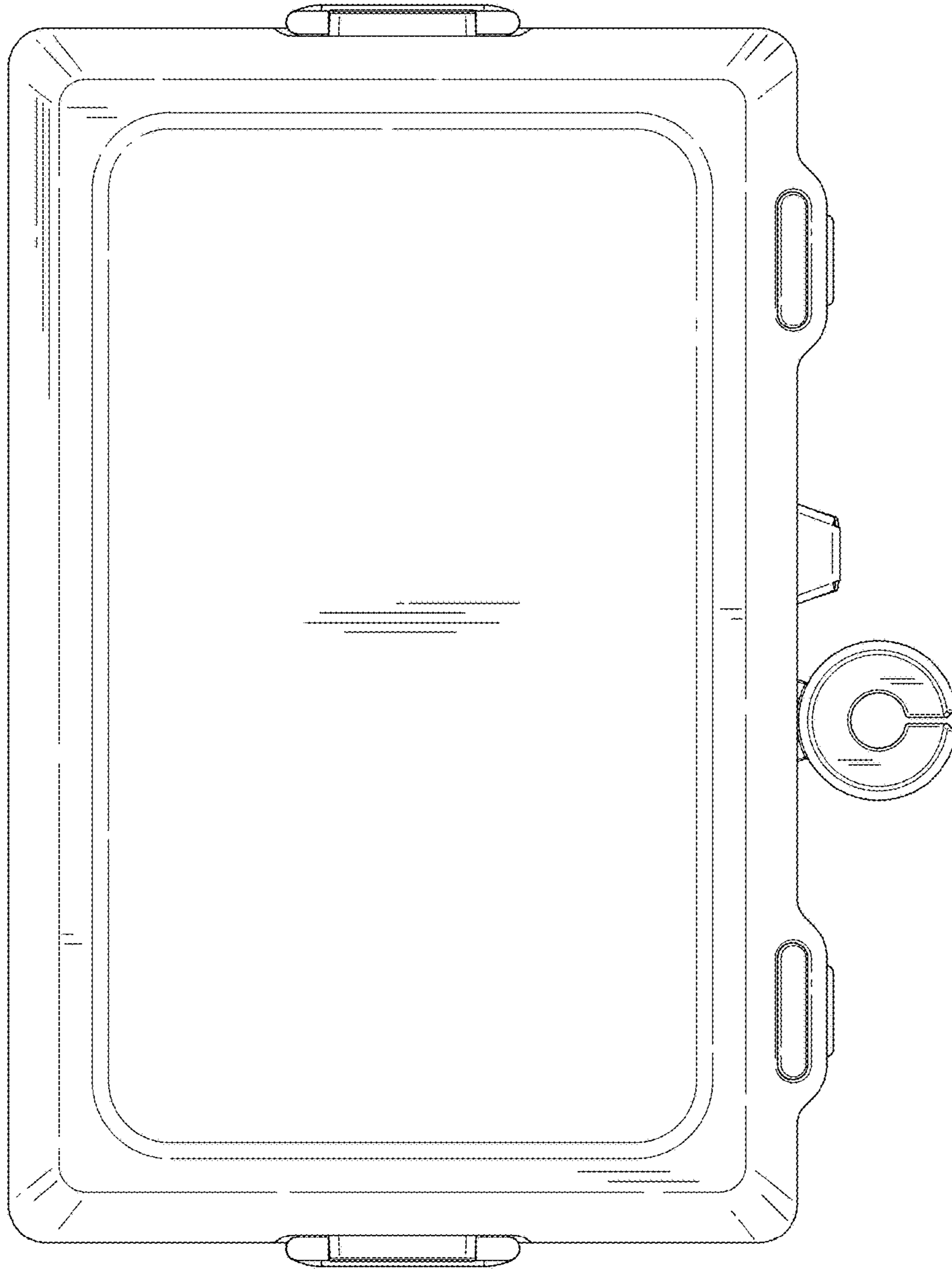


FIG. 4

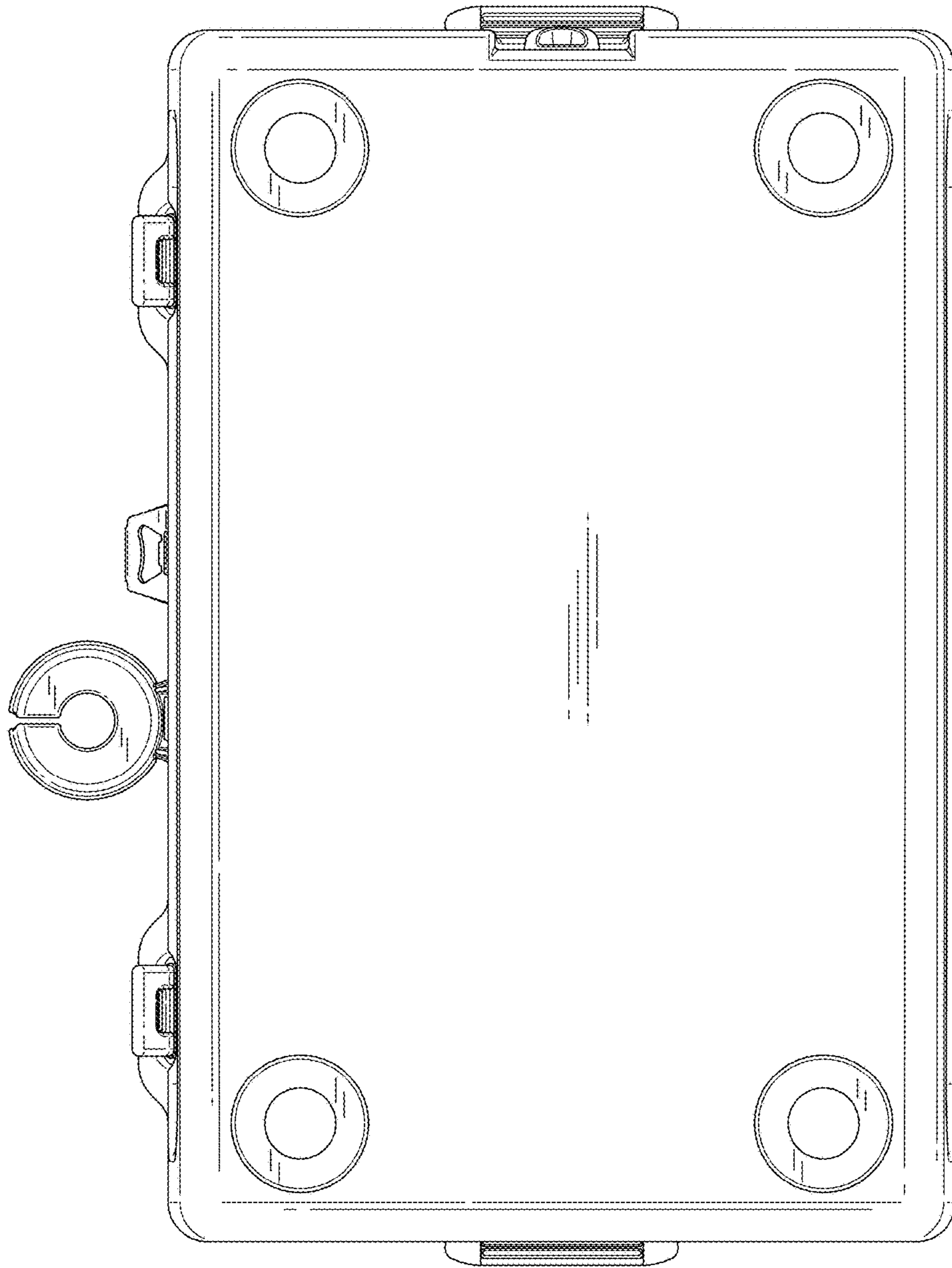


FIG. 5

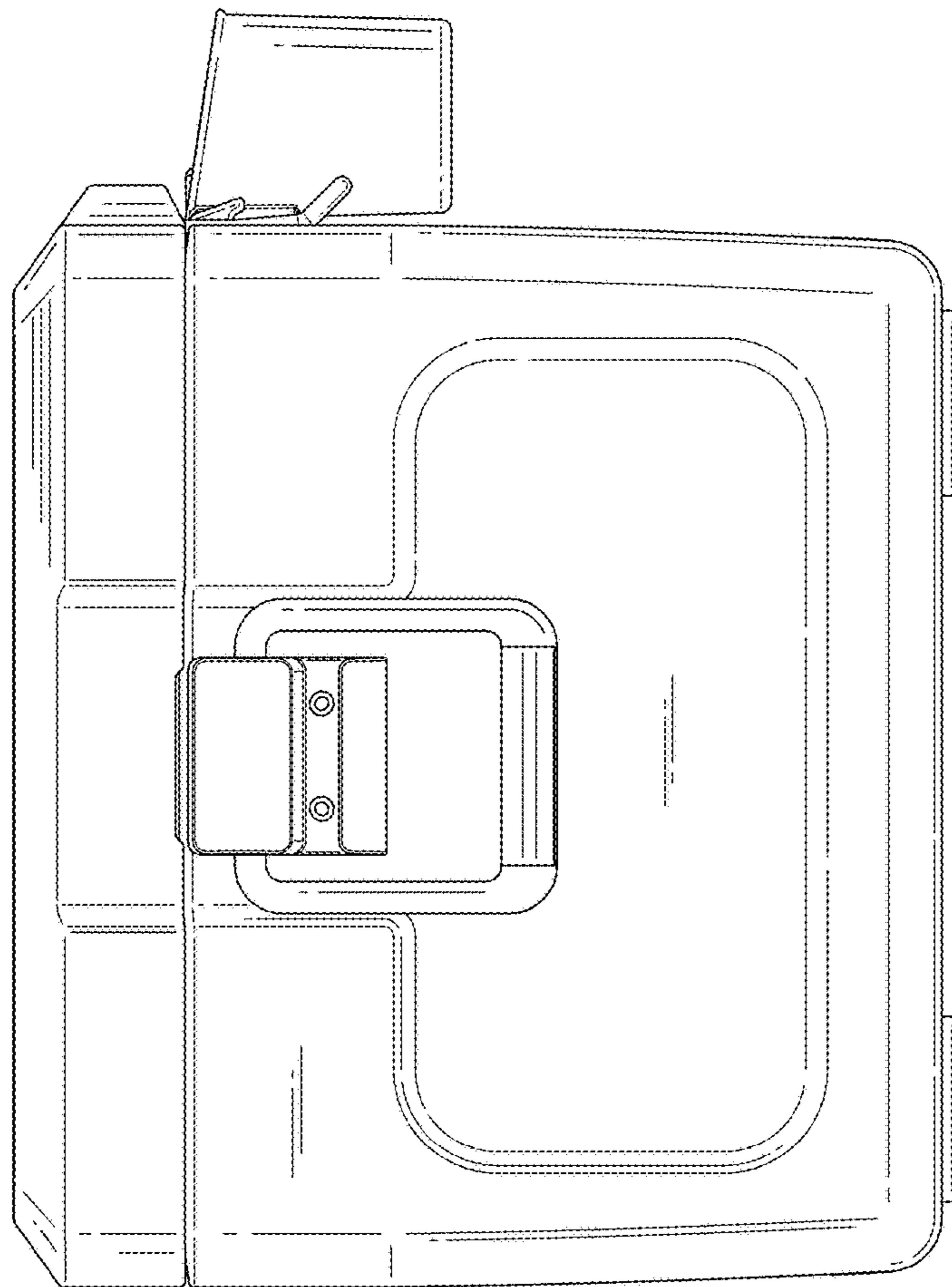


FIG. 6



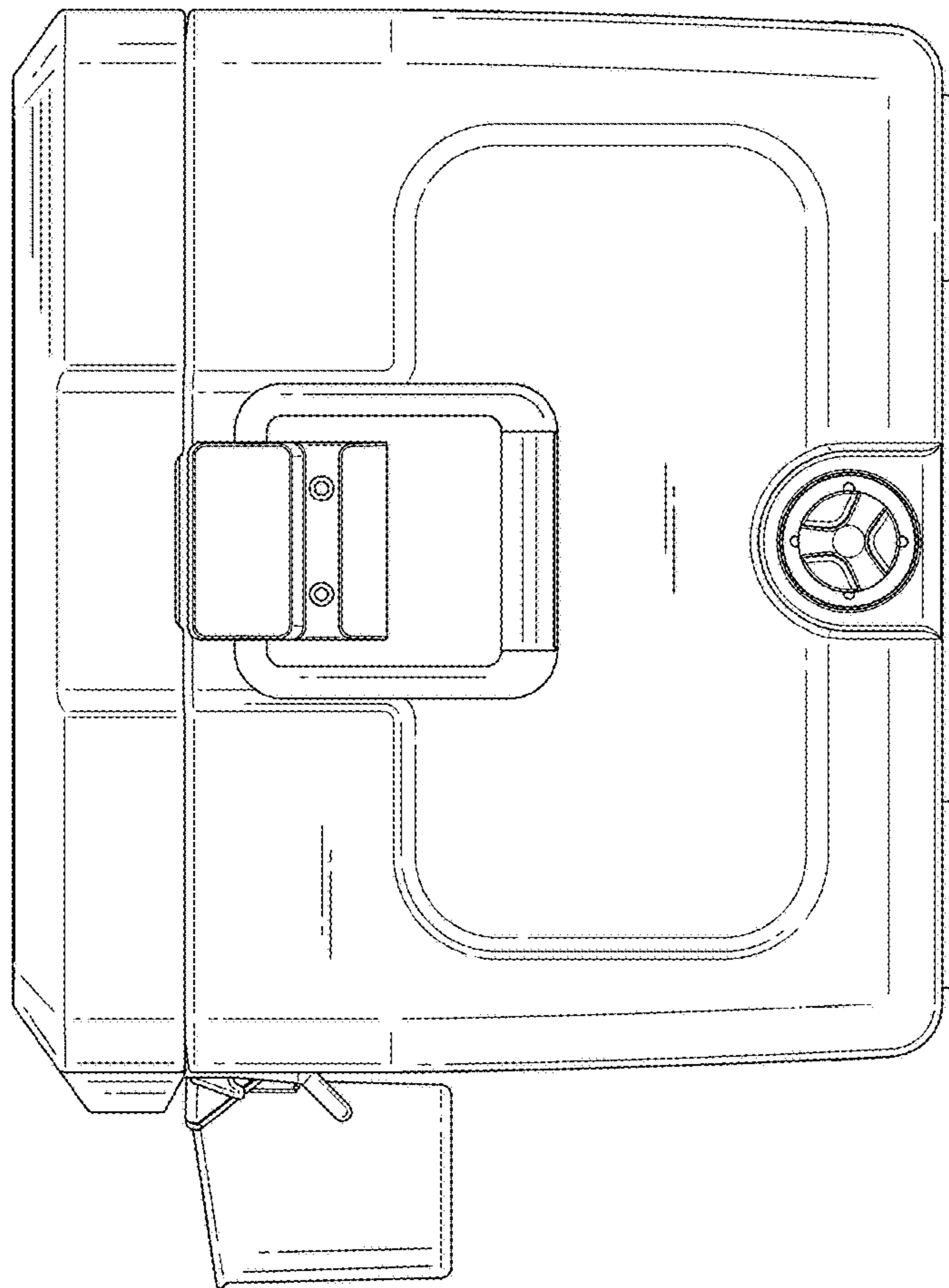


FIG. 7