



US00D844383S

(12) **United States Design Patent**
Seiders et al.

(10) **Patent No.:** **US D844,383 S**

(45) **Date of Patent:** **** *Apr. 2, 2019**

(54) **CONTAINER**

(71) Applicant: **YETI Coolers, LLC**, Austin, TX (US)

(72) Inventors: **Roy Joseph Seiders**, Austin, TX (US);
Matthew Joseph Petrillo, Austin, TX (US);
Kyle Ellison, Austin, TX (US)

(73) Assignee: **YETI Coolers, LLC**, Austin, TX (US)

(*) Notice: This patent is subject to a terminal disclaimer.

(**) Term: **15 Years**

(21) Appl. No.: **29/606,303**

(22) Filed: **Jun. 2, 2017**

(51) **LOC (11) Cl.** **07-01**

(52) **U.S. Cl.**

USPC **D7/510; D7/511; D7/532**

(58) **Field of Classification Search**

USPC D7/392.1, 396.2, 387, 396.3, 388, 900,
D7/507, 555, 510, 511, 533, 536, 397,
D7/398, 396.1, 620, 619.1, 532, 509, 608;
D9/436, 434, 435, 454, 420, 414, 453,
D9/555, 553, 568, 450; 220/200, 703,
(Continued)

(56) **References Cited**

U.S. PATENT DOCUMENTS

D192,192 S 2/1962 Tupper
4,090,660 A 5/1978 Schram et al.
4,202,459 A 5/1980 DeParales et al.

(Continued)

FOREIGN PATENT DOCUMENTS

EP 0654417 A1 5/1995
EP 1332977 A1 8/2003
GB 253358 A 6/1926

OTHER PUBLICATIONS

Aug. 23, 2017—(WO) International Search and Written Opinion—
App. PCT/US2017/038341.

(Continued)

Primary Examiner — Marianne N Pandozzi

Assistant Examiner — Jae Liang

(74) *Attorney, Agent, or Firm* — Banner & Witcoff, Ltd.

(57) **CLAIM**

The ornamental design for a container, as shown and described.

DESCRIPTION

FIG. 1 is a top, front, right perspective view of a container showing myour new design;

FIG. 2 is a bottom perspective view thereof;

FIG. 3 is a front view thereof;

FIG. 4 is a rear view thereof;

FIG. 5 is a right side view thereof;

FIG. 6 is a left side view thereof;

FIG. 7 is a top view thereof;

FIG. 8 is a bottom view thereof;

FIG. 9 is a top, front, right perspective view of a container showing our new design in an alternate configuration;

FIG. 10 is a bottom perspective view thereof;

FIG. 11 is a front view thereof;

FIG. 12 is a rear view thereof;

FIG. 13 is a right side view thereof;

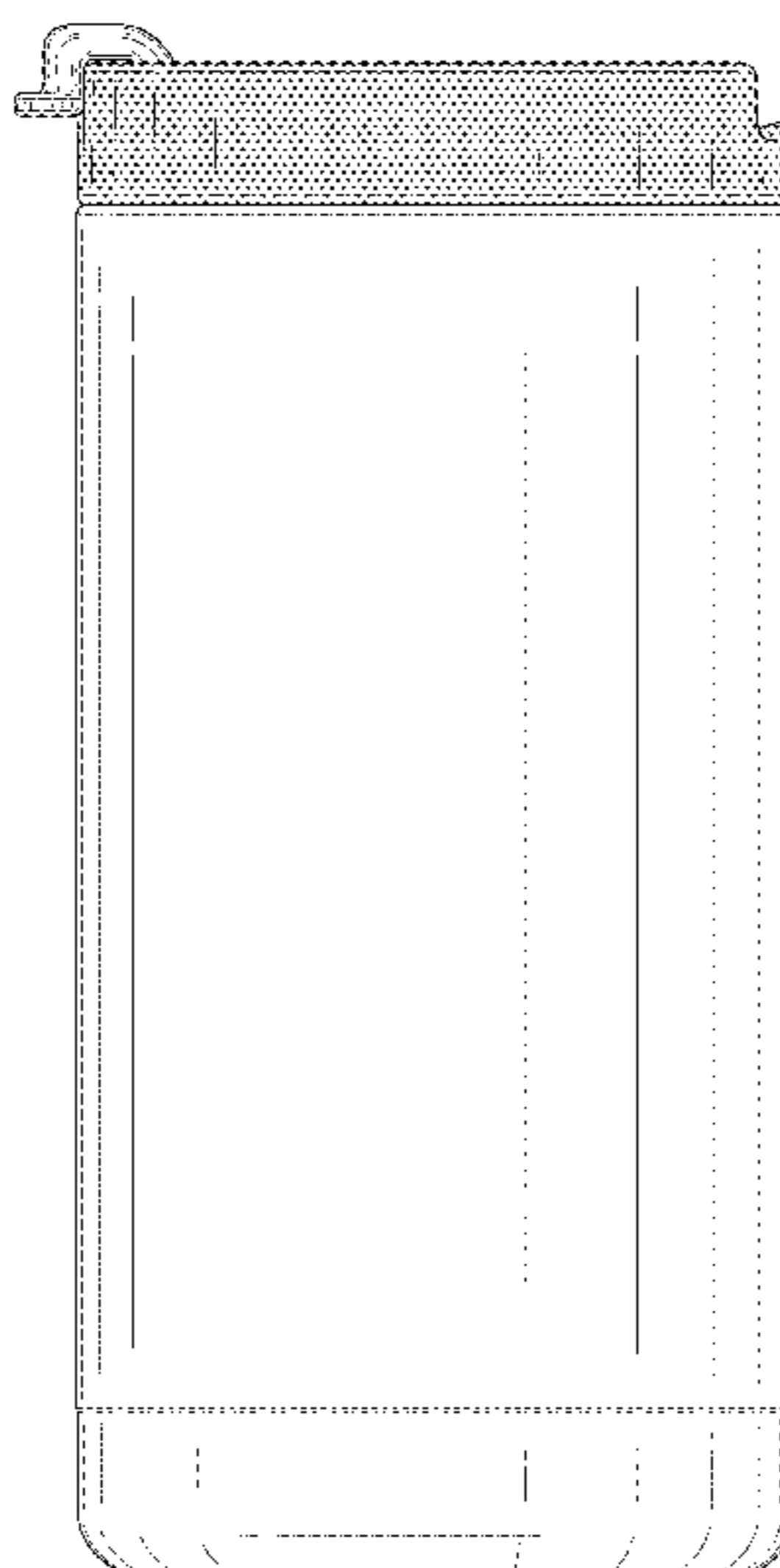
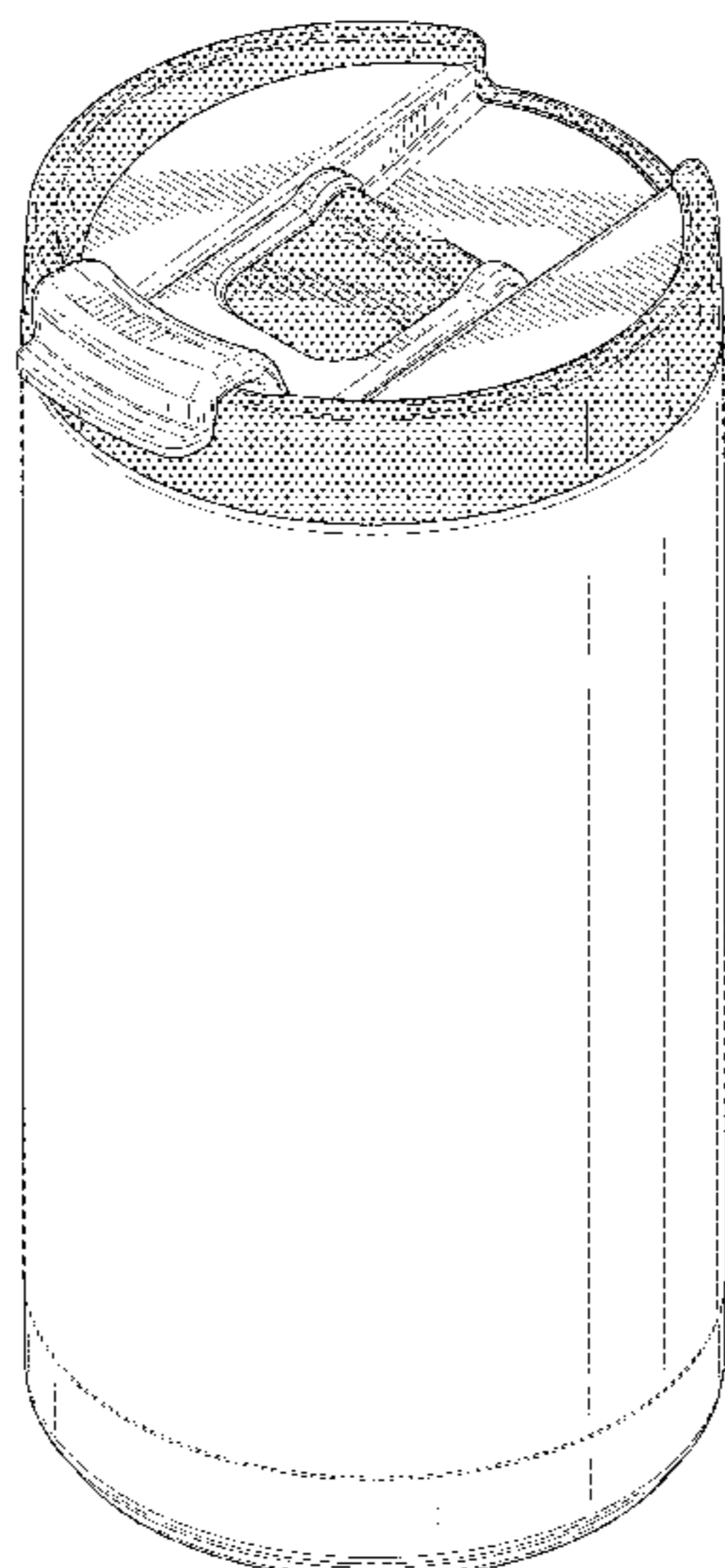
FIG. 14 is a left side view thereof;

FIG. 15 is a top view thereof; and,

FIG. 16 is a top, front, right perspective view of a container showing our new design in a second alternate configuration.

The broken lines in the drawings depict portions of the container that form no part of the claimed design. The stippling in the drawings indicate a contrast in appearance.

1 Claim, 16 Drawing Sheets



US D844,383 S

(58) **Field of Classification Search**
 USPC 220/592.16, 592.17; D8/382, 395, 396,
 D8/394; D11/143, 153
 CPC B65D 41/56; B65D 43/02; B65D 1/265;
 A47G 19/2216; A47G 19/22; A47G
 19/2222
 See application file for complete search history.

(56) **References Cited**
 U.S. PATENT DOCUMENTS

| | | | | |
|-----------|----|-----------|------------------|----------|
| 4,408,703 | A | 10/1983 | Libit | |
| D288,667 | S | 3/1987 | Miner | |
| D363,666 | S | 10/1995 | Goto et al. | |
| 5,746,338 | A | 5/1998 | Takahashi et al. | |
| D416,755 | S | 11/1999 | Trombly | |
| D485,759 | S | 1/2004 | Janky et al. | |
| D504,796 | S | 5/2005 | Schuler et al. | |
| D544,749 | S | 6/2007 | Seum et al. | |
| D552,926 | S | 10/2007 | Yelland | |
| D584,566 | S | 1/2009 | Fuller | |
| D608,140 | S | 1/2010 | Gilbert | |
| D623,017 | S | 9/2010 | George | |
| D627,600 | S | * 11/2010 | Eyal | D7/510 |
| D643,245 | S | 8/2011 | Minarsch | |
| D644,060 | S | 8/2011 | Komeiji | |
| D647,753 | S | 11/2011 | Lin | |
| D655,570 | S | 3/2012 | Meehan | |
| D655,604 | S | 3/2012 | Molina et al. | |
| D655,967 | S | 3/2012 | Bodum | |
| D662,354 | S | 6/2012 | Bodum | |
| D666,052 | S | 8/2012 | Trombly | |
| D667,263 | S | 9/2012 | Gilbert et al. | |
| 8,276,776 | B2 | 10/2012 | Roth et al. | |
| D674,663 | S | 1/2013 | Cahen | |
| D691,416 | S | 10/2013 | Eyal | |
| D692,756 | S | 11/2013 | McClellan et al. | |
| D696,900 | S | 1/2014 | George et al. | |
| D710,698 | S | 8/2014 | Giraud et al. | |
| D715,100 | S | 10/2014 | Eyal | |
| D717,103 | S | 11/2014 | Wilbur | |
| D717,115 | S | * 11/2014 | Lane | D7/511 |
| D721,535 | S | * 1/2015 | Chapman | D7/396.2 |
| D721,540 | S | 1/2015 | Grcic | |
| D732,337 | S | 6/2015 | Coon et al. | |
| D747,199 | S | 1/2016 | Phillips | |
| D751,340 | S | 3/2016 | Seiders et al. | |
| D751,341 | S | 3/2016 | Seiders et al. | |
| D752,381 | S | 3/2016 | Wahl | |
| D752,397 | S | * 3/2016 | Seiders | D7/608 |
| 9,346,076 | B1 | 5/2016 | Ford | |
| D761,618 | S | 7/2016 | Lapsker | |
| D764,869 | S | 8/2016 | Smrtnik et al. | |
| D772,651 | S | 11/2016 | Leonard et al. | |
| D779,872 | S | 2/2017 | Bergstrom | |

| | | | | |
|--------------|----|-----------|-----------------|-----------------------|
| D780,531 | S | * 3/2017 | Seiders | D7/608 |
| D789,737 | S | 6/2017 | Eyal | |
| D795,020 | S | * 8/2017 | Seiders | D7/510 |
| D796,256 | S | 9/2017 | Stover et al. | |
| D799,899 | S | * 10/2017 | Rummel | D7/510 |
| D801,746 | S | 11/2017 | Thuma et al. | |
| D802,362 | S | * 11/2017 | Spivey | D7/396.2 |
| D803,619 | S | * 11/2017 | Seiders | D7/392.1 |
| D803,684 | S | * 11/2017 | Seiders | D9/449 |
| D804,905 | S | 12/2017 | Seiders et al. | |
| D805,838 | S | 12/2017 | Guthrie | |
| D807,701 | S | * 1/2018 | Bo | D7/507 |
| D808,218 | S | 1/2018 | Seiders et al. | |
| D814,240 | S | * 4/2018 | Kabalin | D7/510 |
| 2010/0288782 | A1 | * 11/2010 | Lin | A47G 19/22 220/752 |
| 2011/0114655 | A1 | 5/2011 | Bailey | |
| 2012/0125931 | A1 | 5/2012 | Roth et al. | |
| 2013/0186918 | A1 | 7/2013 | Menceles et al. | |
| 2014/0374418 | A1 | 12/2014 | Ouellette | |
| 2015/0021345 | A1 | 1/2015 | Wu | |
| 2015/0266597 | A1 | 9/2015 | Hertzog et al. | |
| 2017/0273484 | A1 | 9/2017 | Spivey et al. | |

OTHER PUBLICATIONS

Aug. 23, 2017—(WO) International Search Report and Written Opinion—App. PCT/US2017/038344.

“Bubba Brands Classic Insulated Travel Mug”. Found online Mar. 9, 2017 at amazon.com. Page dated Sep. 30, 2010. Retrieved from https://www.amazon.com/Bubba-Brands-1953403-Classic-Insulated/dp/B01FB7IG8Y/ref=cm_cr_ar_p_d_product_top?ie=UTF8.

“Hydro Flask Wide Mouth Hydro Flip Lid”. Found online Mar. 9, 2017 at amazon.com. Page dated Oct. 9, 2012. Retrieved from http://www.amazon.com/Hydro-Flask-Wide-Mouth-Black/dp/B01GW2H430/ref=cm_cr_ar_p_d_product_top?ie=UTF8.

“Bubba Hero Bottle Replacement Lid”. Found online Mar. 9, 2017 at amazon.com. Page dated Jan. 14, 2015. Retrieved from https://www.amazon.com/bubba-HERO-bottle-replacement-lid/dp/B00QQYDI44/ref=cm_cr_ar_p_d_product_top?ie=UTF8.

Hydro Flask. Hydro Flip. 2015 [earliest online date], [site visited Apr. 28, 2017]. Available from Internet, <URL:<https://www.hydroflask.com/hydro-flip#92=57>>.

“Contigo Extreme Stainless Steel Travel Mug”. Found online Mar. 9, 2017 at amazon.com. Page dated Sep. 13, 2016. Retrieved from https://www.amazon.com/Contigo-Extreme-Stainless-Insulated-Limited/dp/B01LZGBMKT/ref=pd_sim_79_3?encoding=UTF8&psc=&refRID=A4VHP8EG6AKH3BG73BMZ.

Jane. Spill Resistant Flip Lid and Yeti Accessories. Dec. 5, 2016 [earliest online date], [site visited Apr. 28, 2017]. Available from Internet, <URL:<https://jane.com/deal/263319/spill-resistant-flip-lid-and-yeti-accessories-30oz-many-colors>>.

* cited by examiner

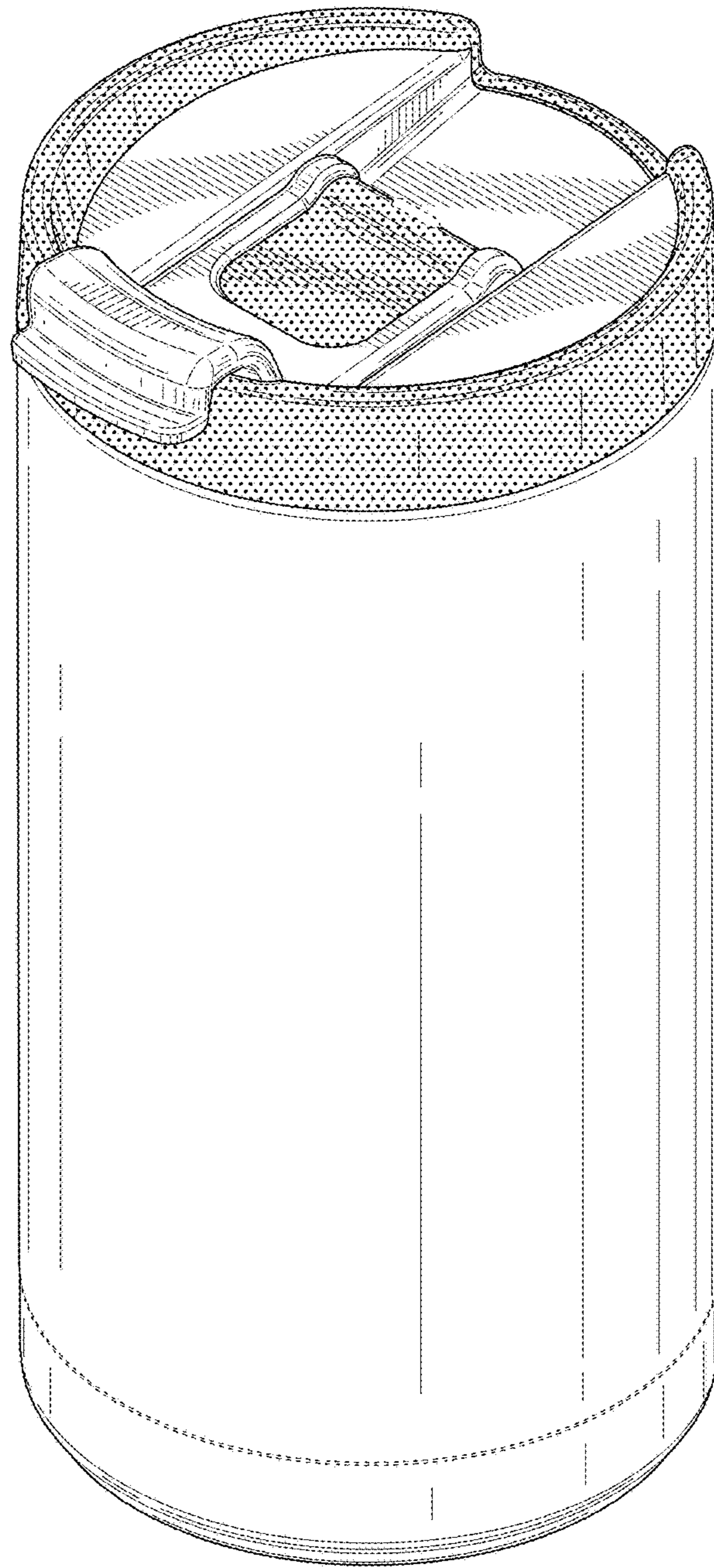


FIG. 1

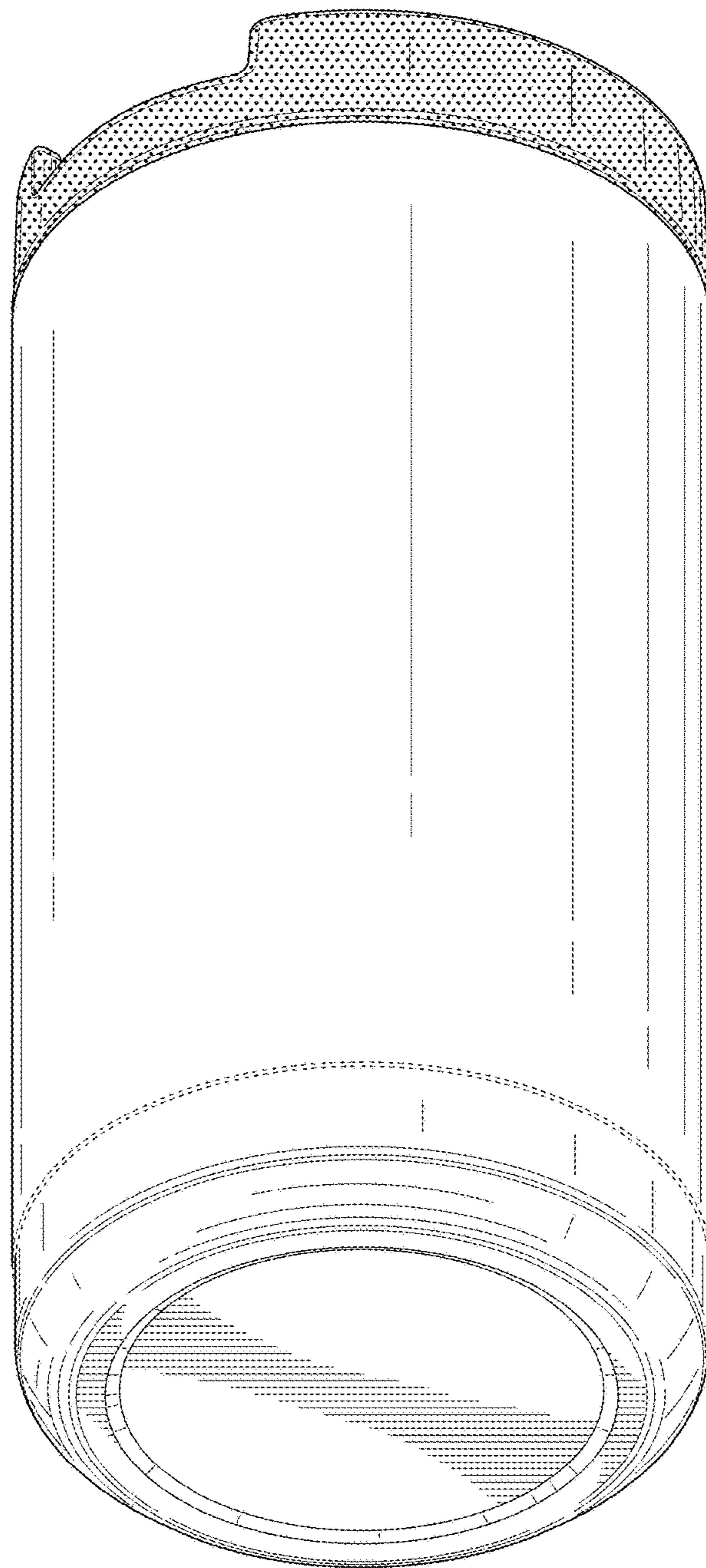


FIG. 2

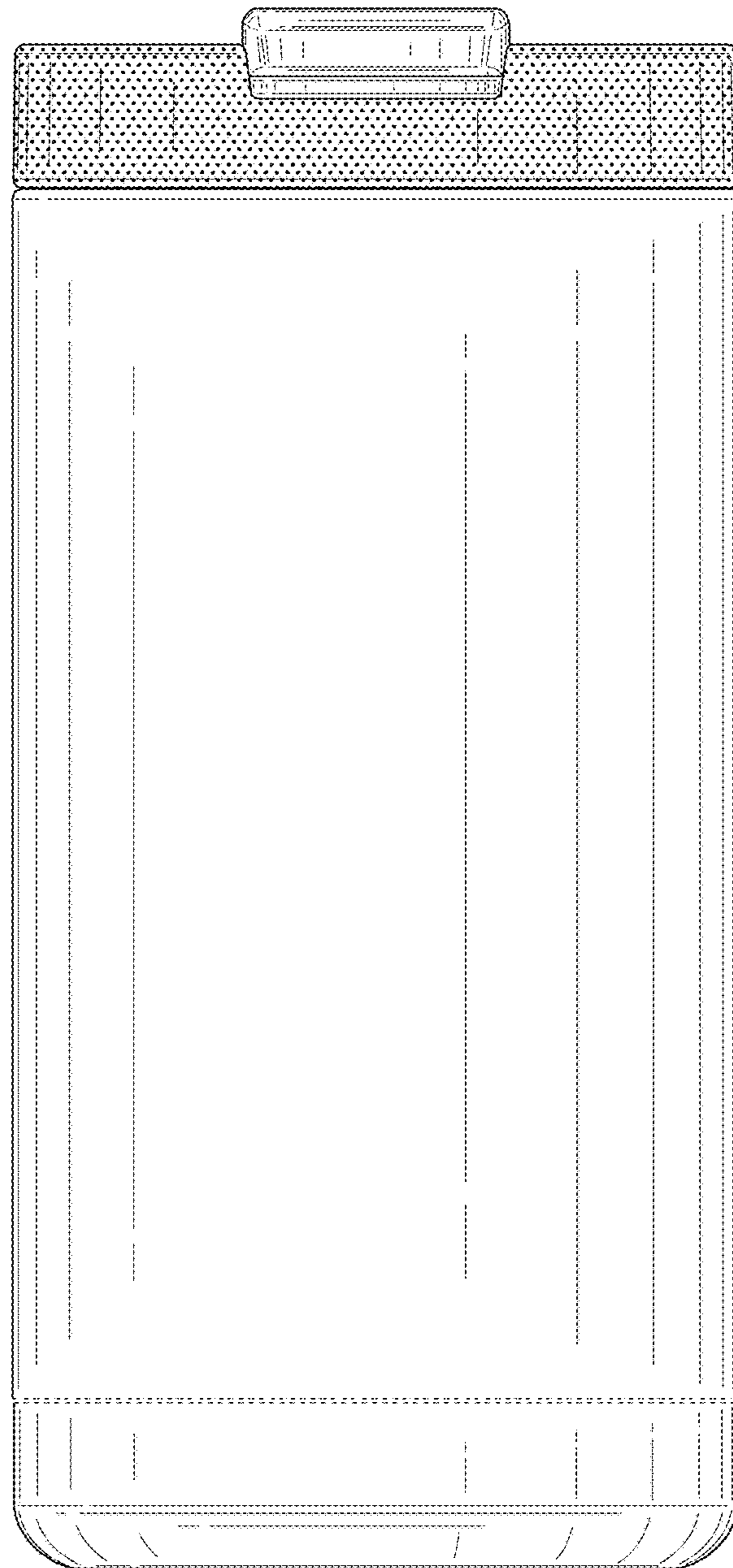


FIG. 3

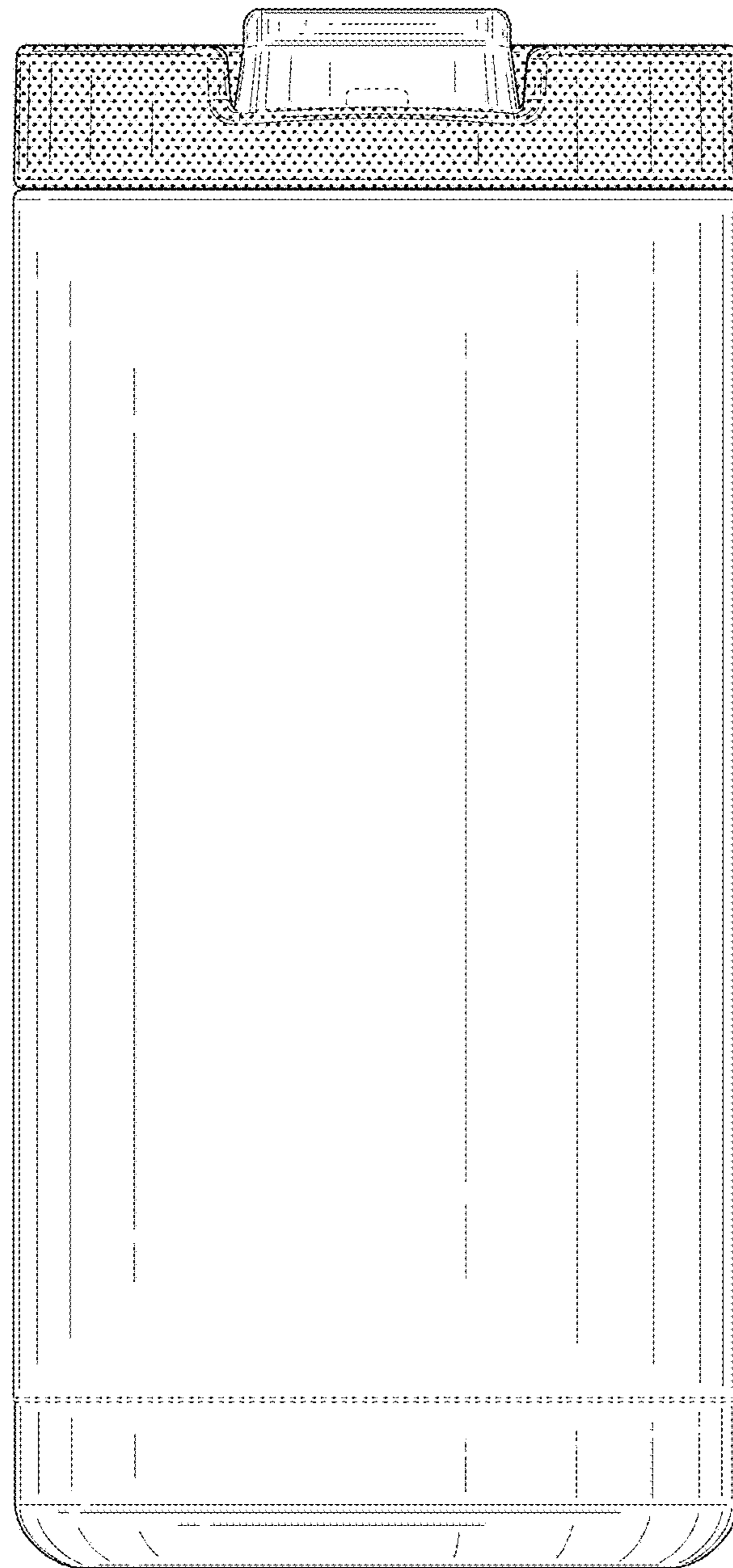


FIG. 4

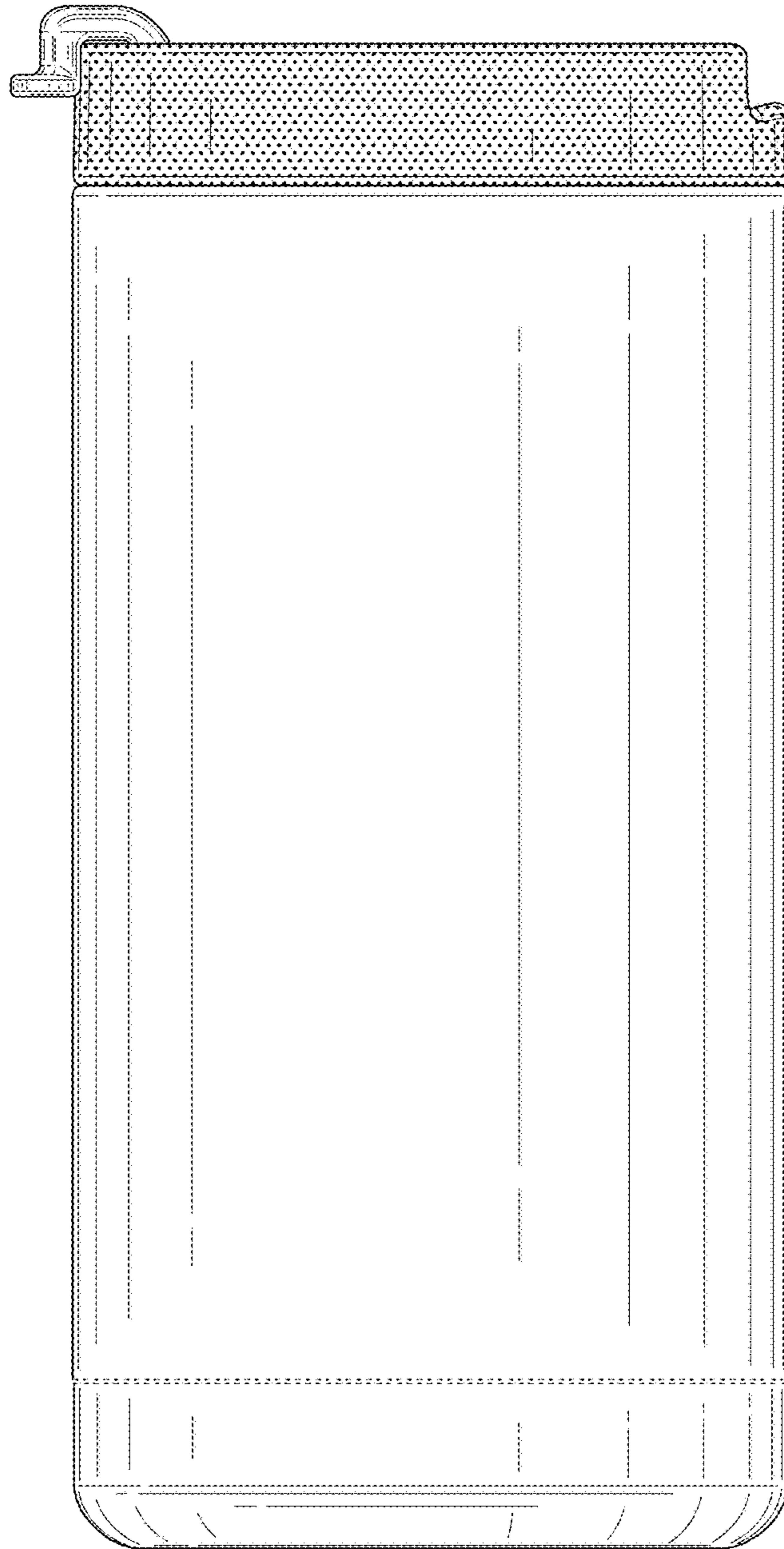


FIG. 5

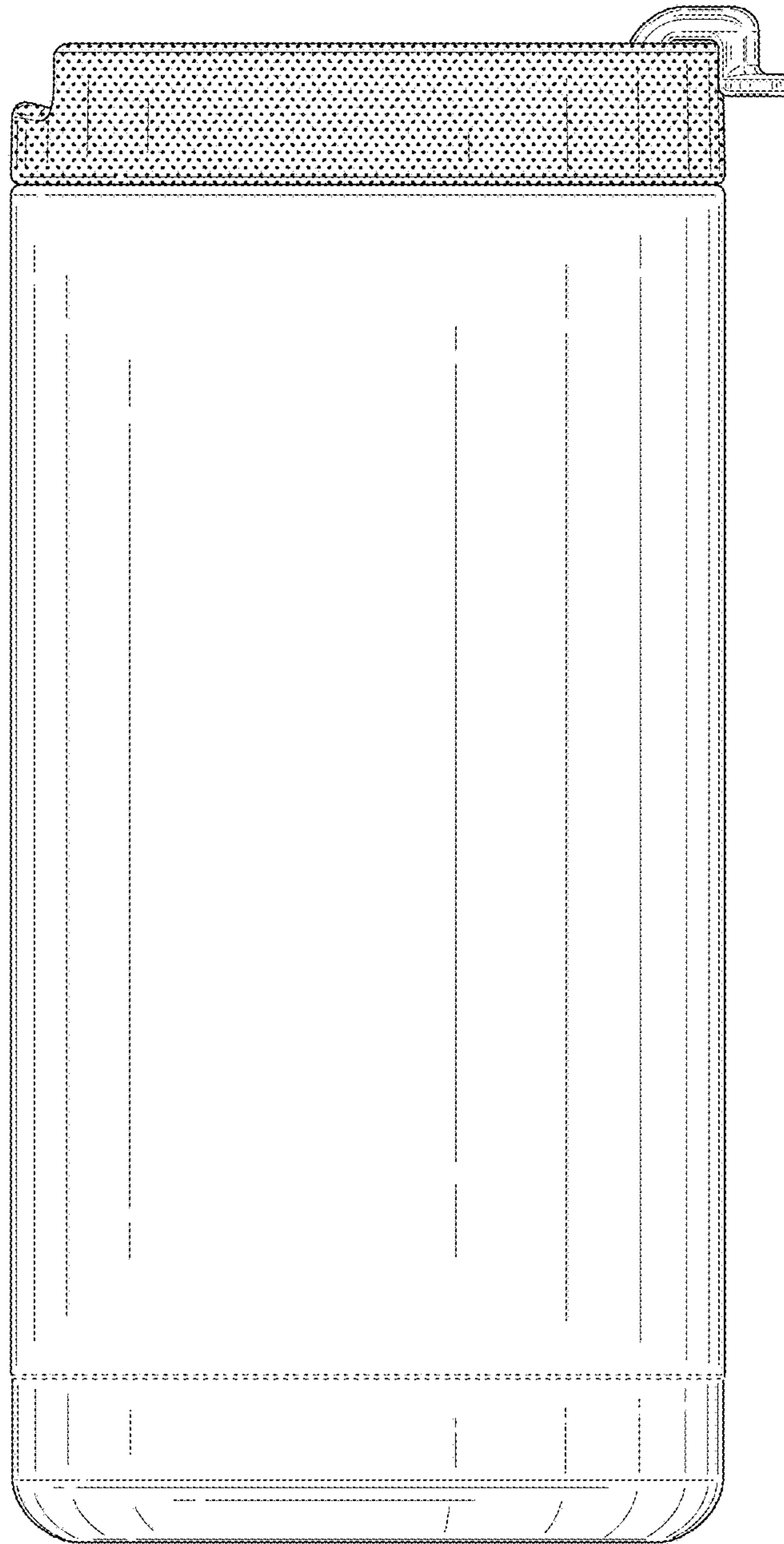


FIG. 6

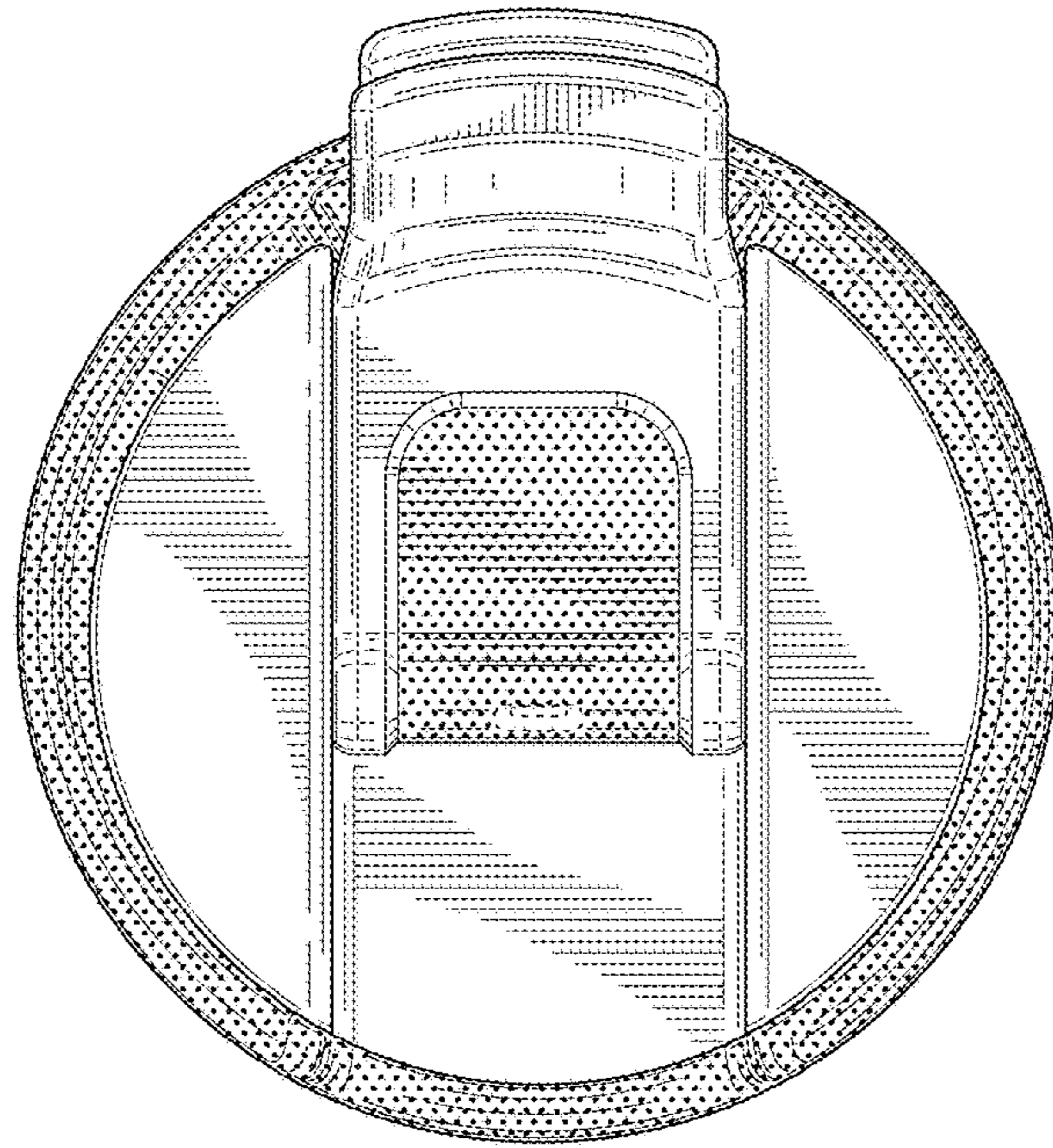


FIG. 7

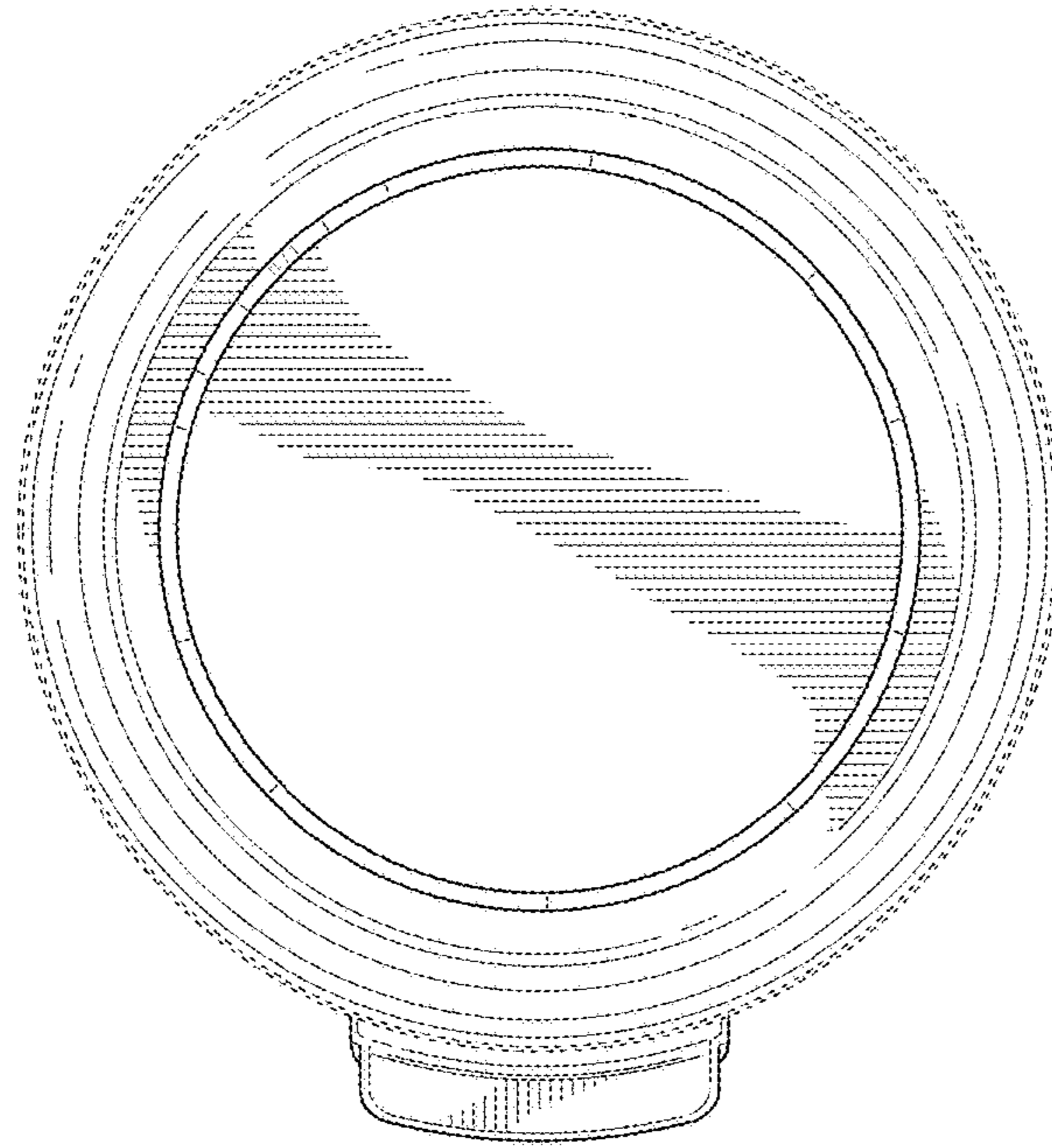


FIG. 8

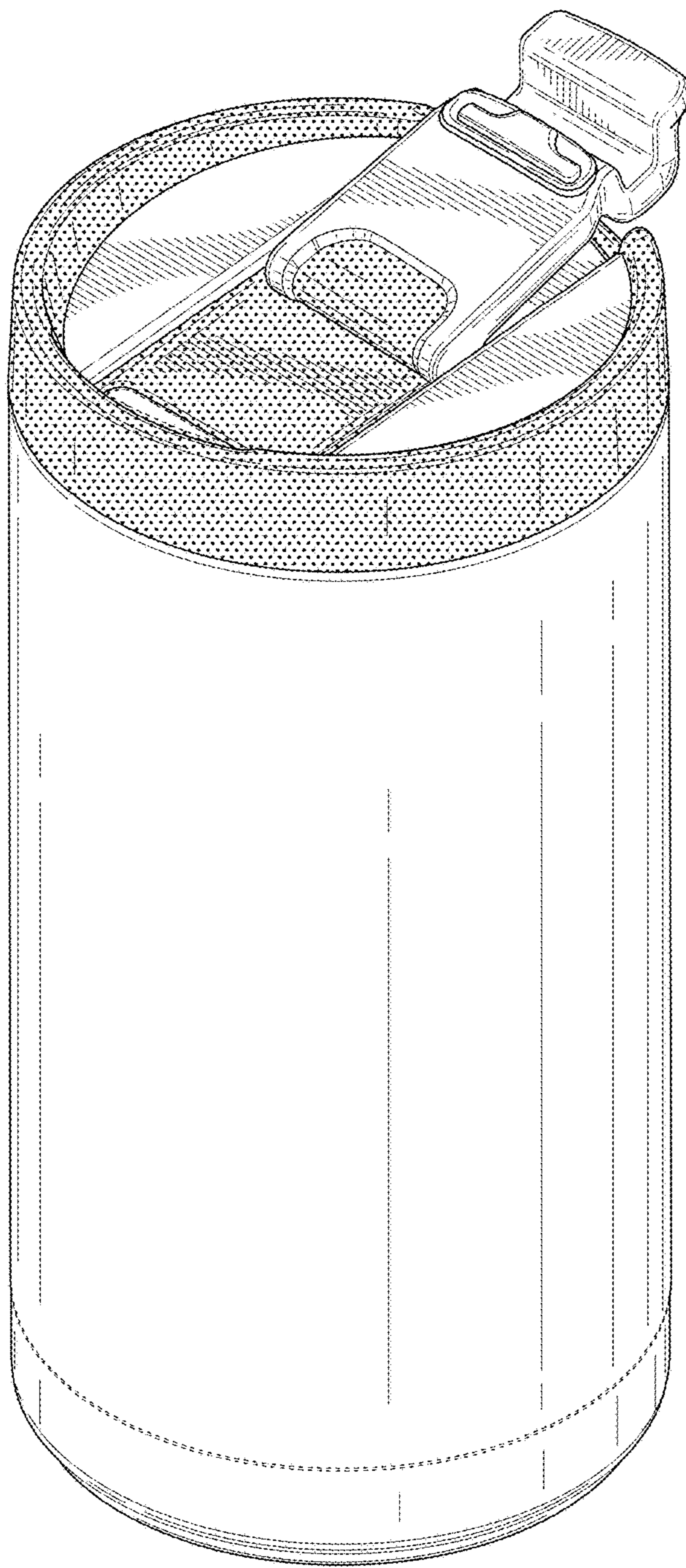


FIG. 9

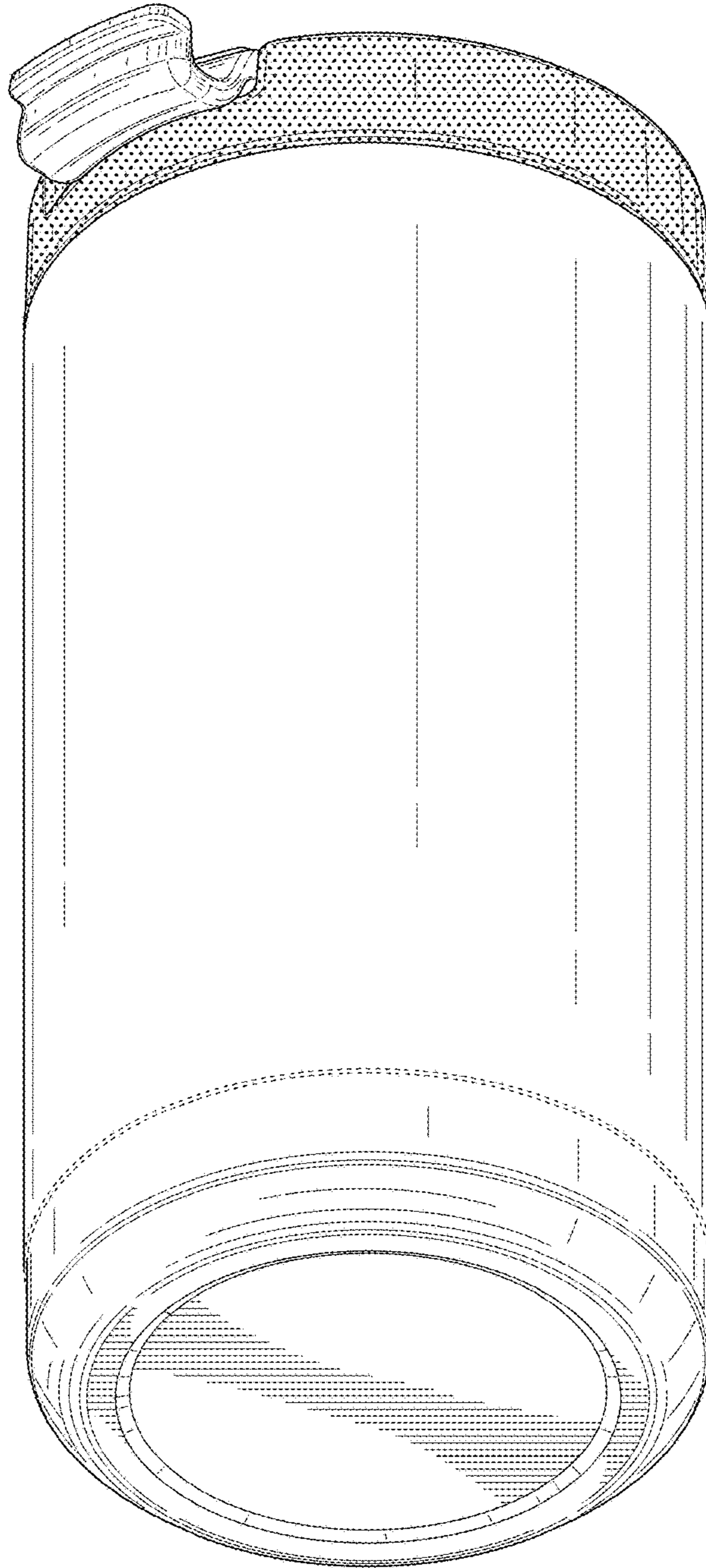


FIG. 10

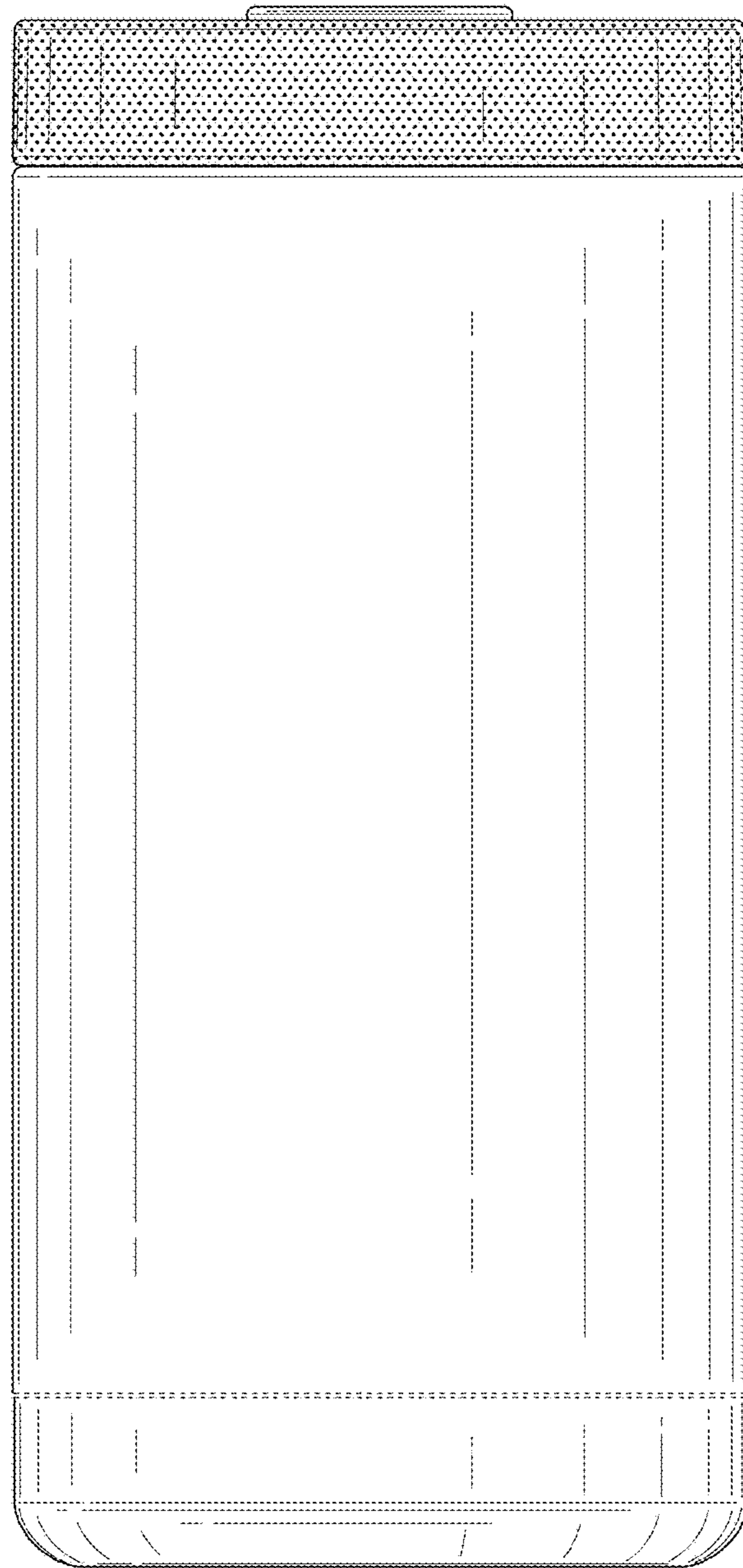


FIG. 11

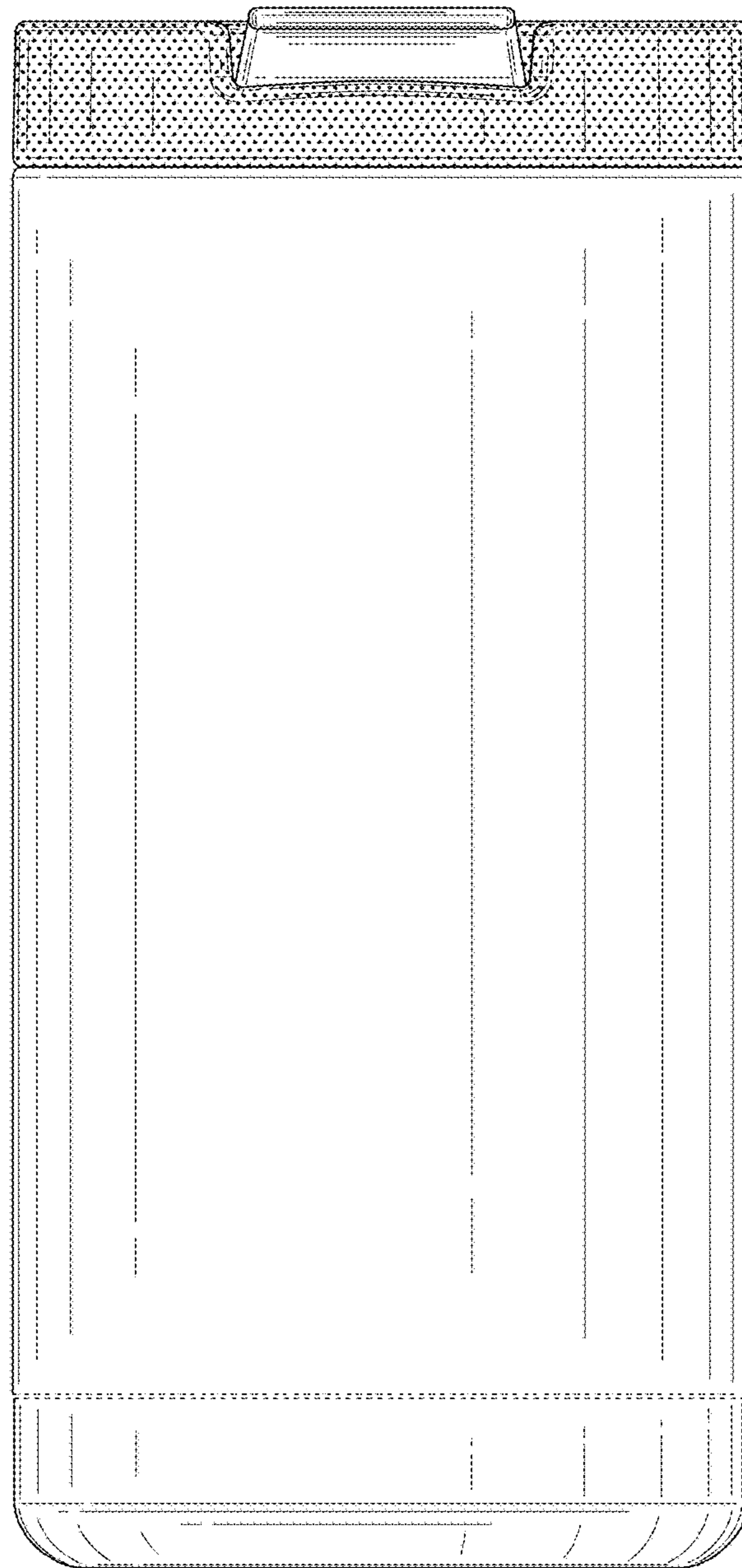


FIG. 12

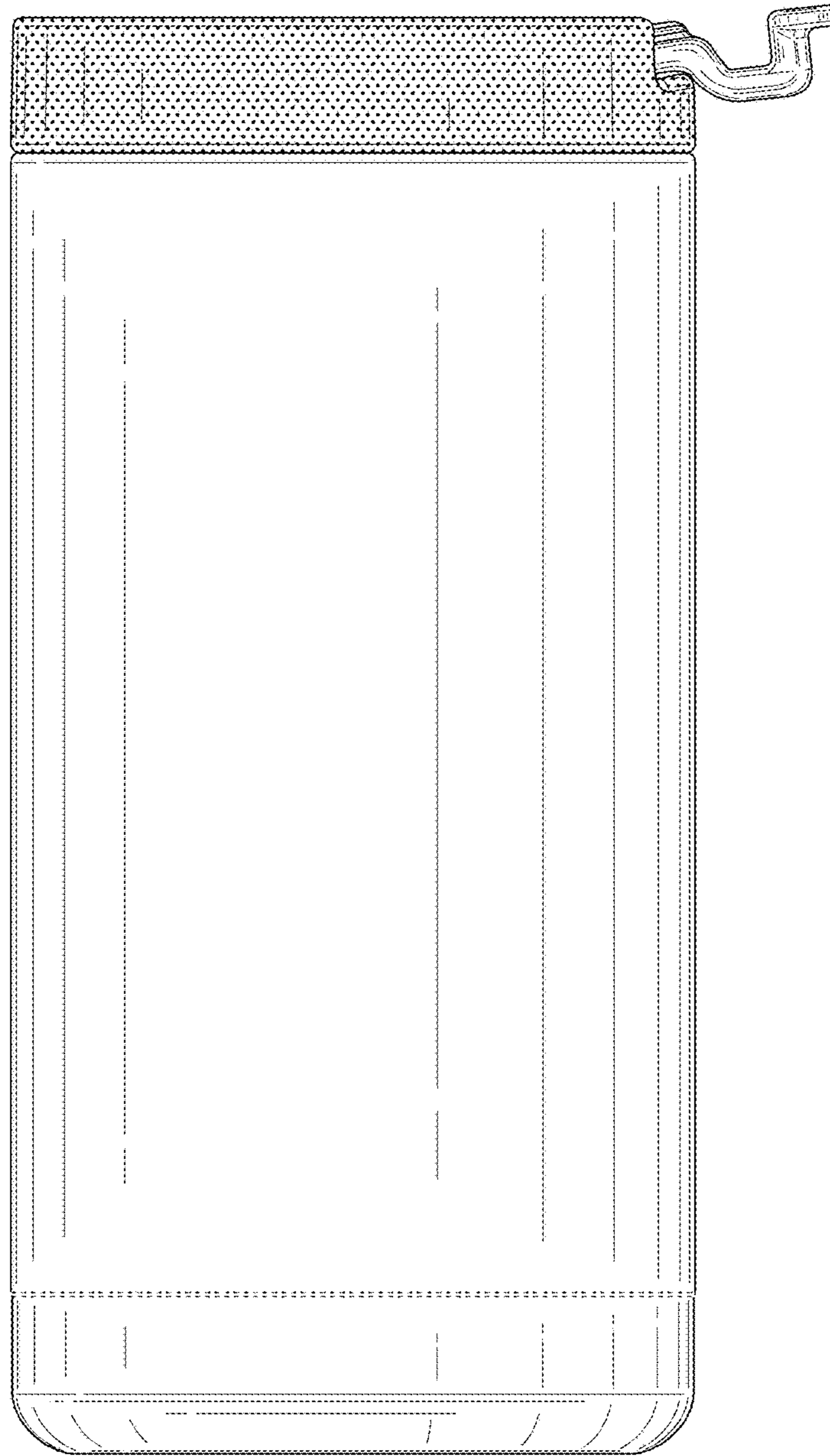


FIG. 13

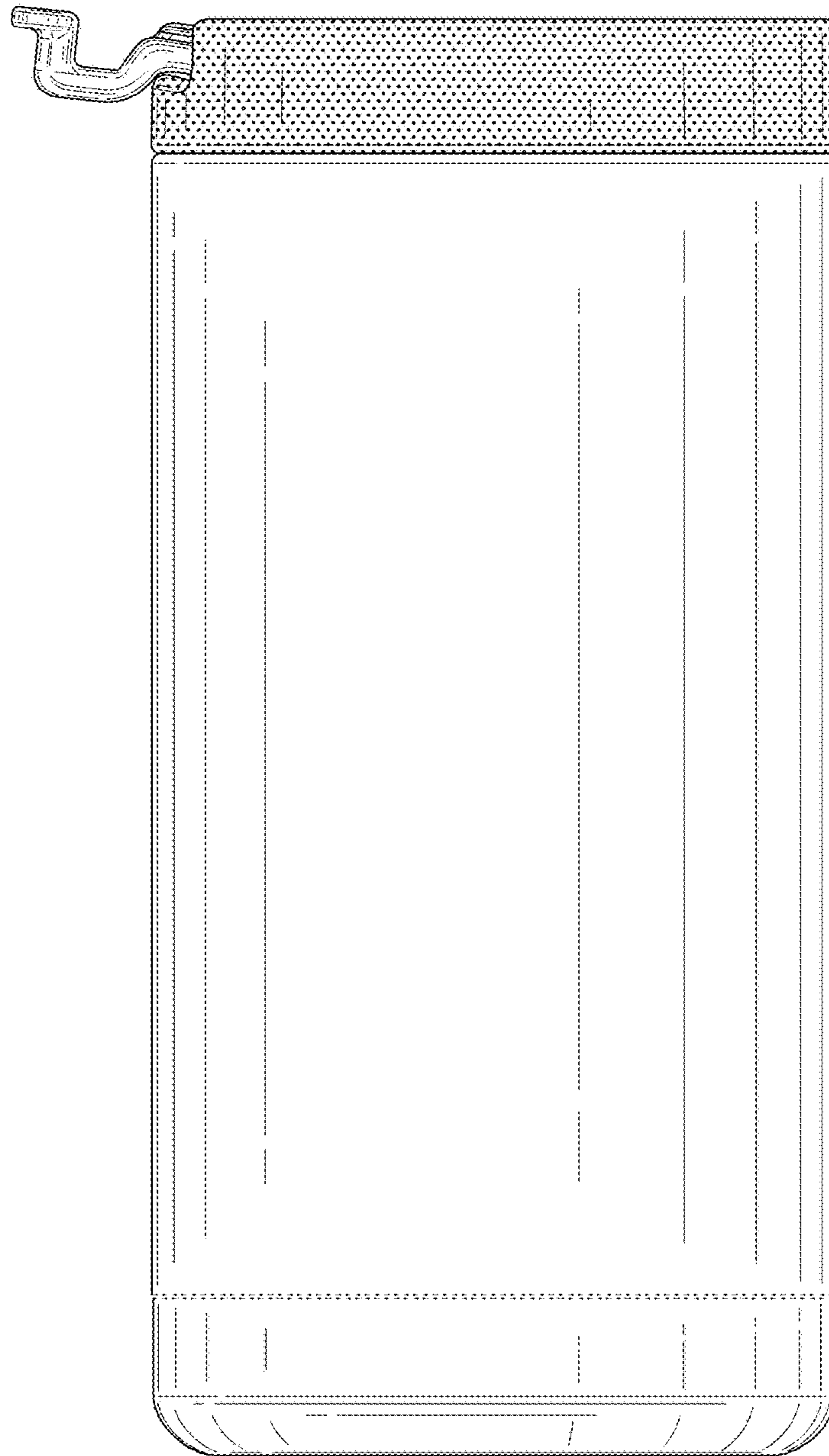


FIG. 14

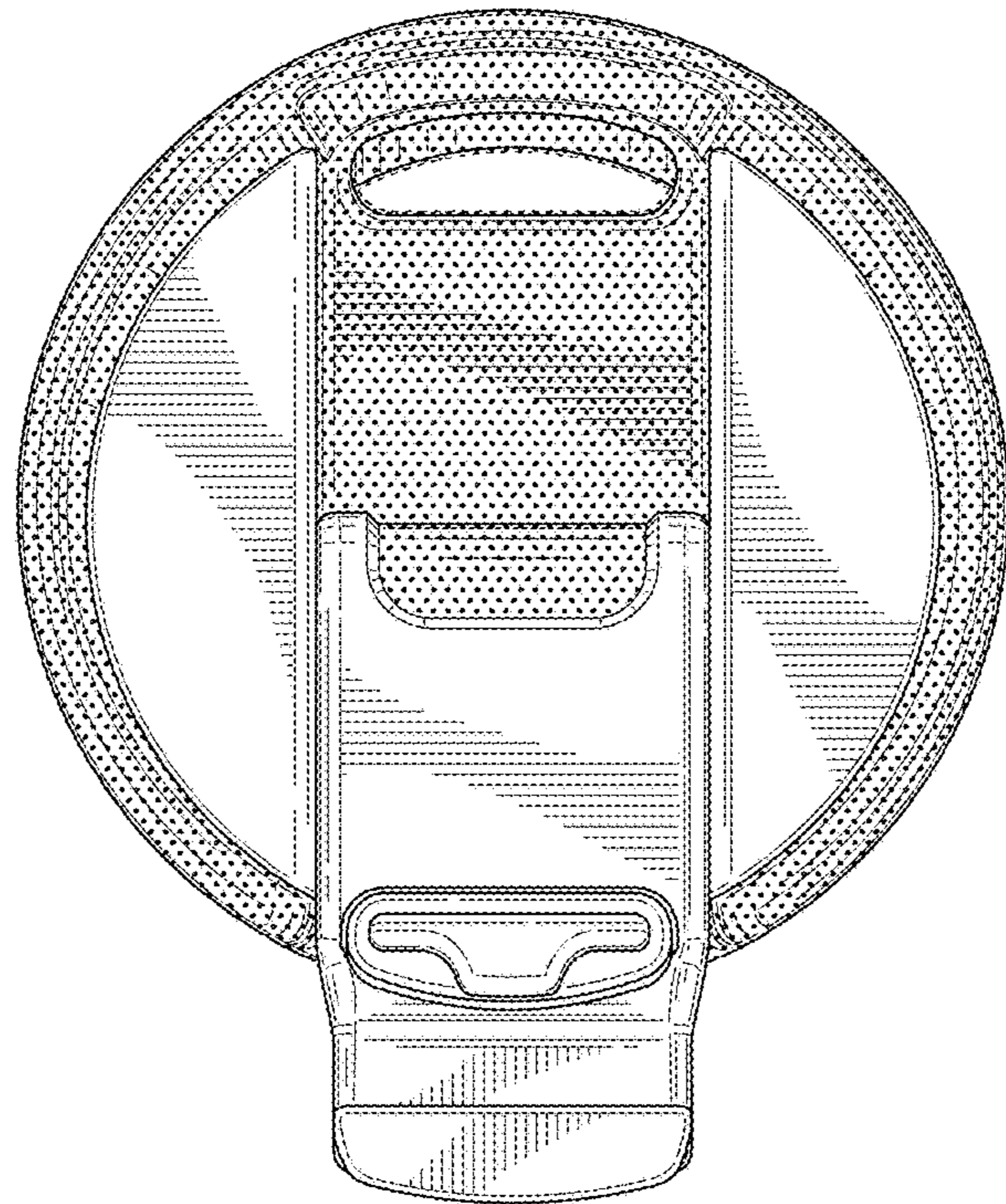


FIG. 15

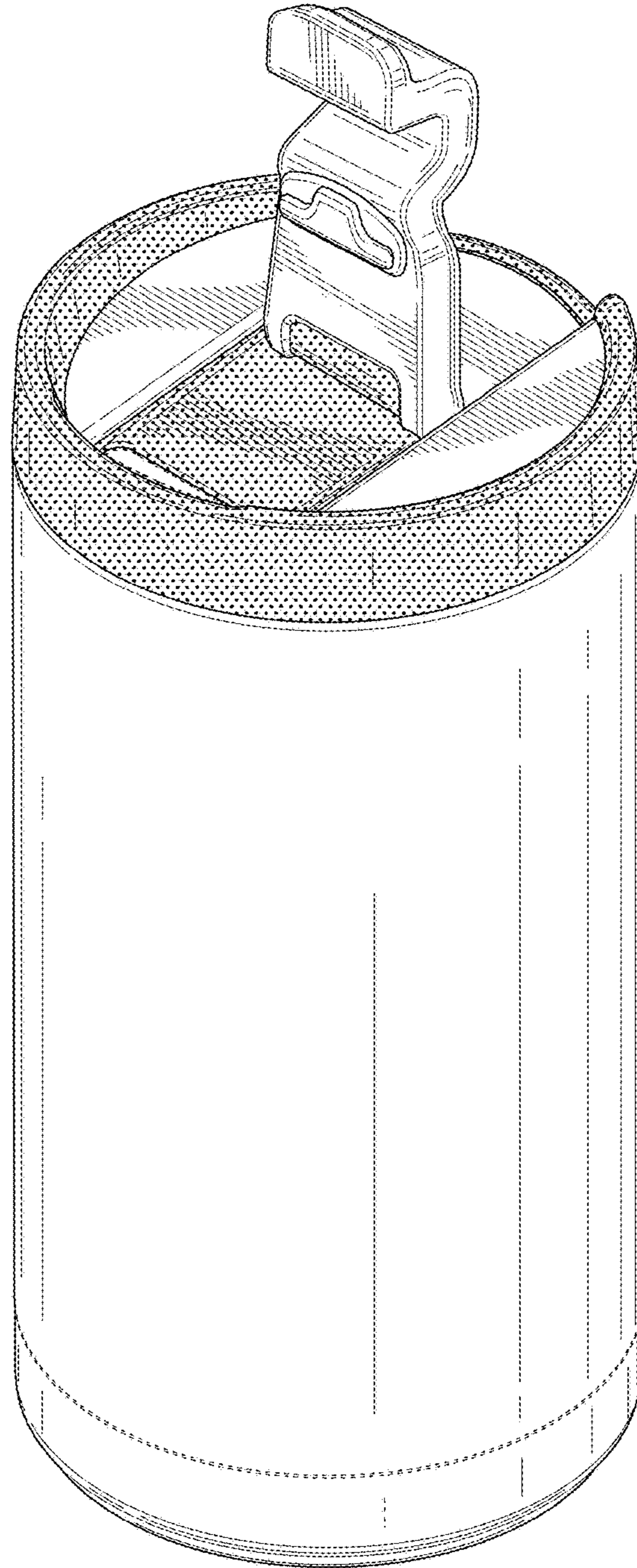


FIG. 16