



US00D844381S

(12) **United States Design Patent**
Measom et al.

(10) **Patent No.:** **US D844,381 S**

(45) **Date of Patent:** **** Apr. 2, 2019**

- (54) **GRILL SKIRT**
- (71) Applicant: **Logan Outdoor Products, LLC**, Hyde Park, UT (US)
- (72) Inventors: **Ty Measom**, Logan, UT (US); **Brett Bennett**, Mantua, UT (US)
- (73) Assignee: **Logan Outdoor Products, LLC**, Hyde Park, UT (US)

D256,794 S *	9/1980	Logan	D12/184
D306,423 S *	3/1990	Mayhugh	D12/181
D314,545 S *	2/1991	Hutchins	D12/181
D366,639 S *	1/1996	Horwill	D12/181
6,138,553 A *	10/2000	Toebben	A47J 37/042
				126/25 AA
6,681,759 B2 *	1/2004	Bentulan	A47J 37/0704
				126/25 R
D503,366 S *	3/2005	Lundquist	D12/191
D579,835 S *	11/2008	Vanaria	D12/181
D580,221 S *	11/2008	McKenzie	D7/402
D760,539 S *	7/2016	Colston	D7/402
D793,352 S *	8/2017	Hill	D8/366
D814,226 S *	4/2018	Mansueto	D7/334
D820,628 S *	6/2018	Zhou	D7/334

(**) Term: **15 Years**

(21) Appl. No.: **29/607,733**

(22) Filed: **Jun. 15, 2017**

(51) **LOC (11) Cl.** **07-02**

(52) **U.S. Cl.**
USPC **D7/402**

(58) **Field of Classification Search**
USPC D7/332-337, 351-353, 402-409,
D7/339-340, 346-349, 362-367;
D15/30, 140, 141; D8/396, 366, 371, 16,
D8/18; D12/167-169, 181, 184, 185,
D12/190, 191
CPC A47J 37/07-37/0781; A47J 37/0786; A47J
33/00; A47J 37/067; A47J 37/0676; A23B
4/044-4/056; F24B 1/202; F24B 1/205
See application file for complete search history.

(56) **References Cited**

U.S. PATENT DOCUMENTS

D102,974 S *	1/1937	Pritchard	D12/191
D235,327 S *	6/1975	Morris	D12/404
D250,876 S *	1/1979	Lindblom	D8/396
4,169,608 A *	10/1979	Logan	B62D 25/182
				280/848
D256,793 S *	9/1980	Logan	D12/184

* cited by examiner

Primary Examiner — Brett Miller

(74) *Attorney, Agent, or Firm* — Preston P. Frischknecht;
Project CIP

(57) **CLAIM**

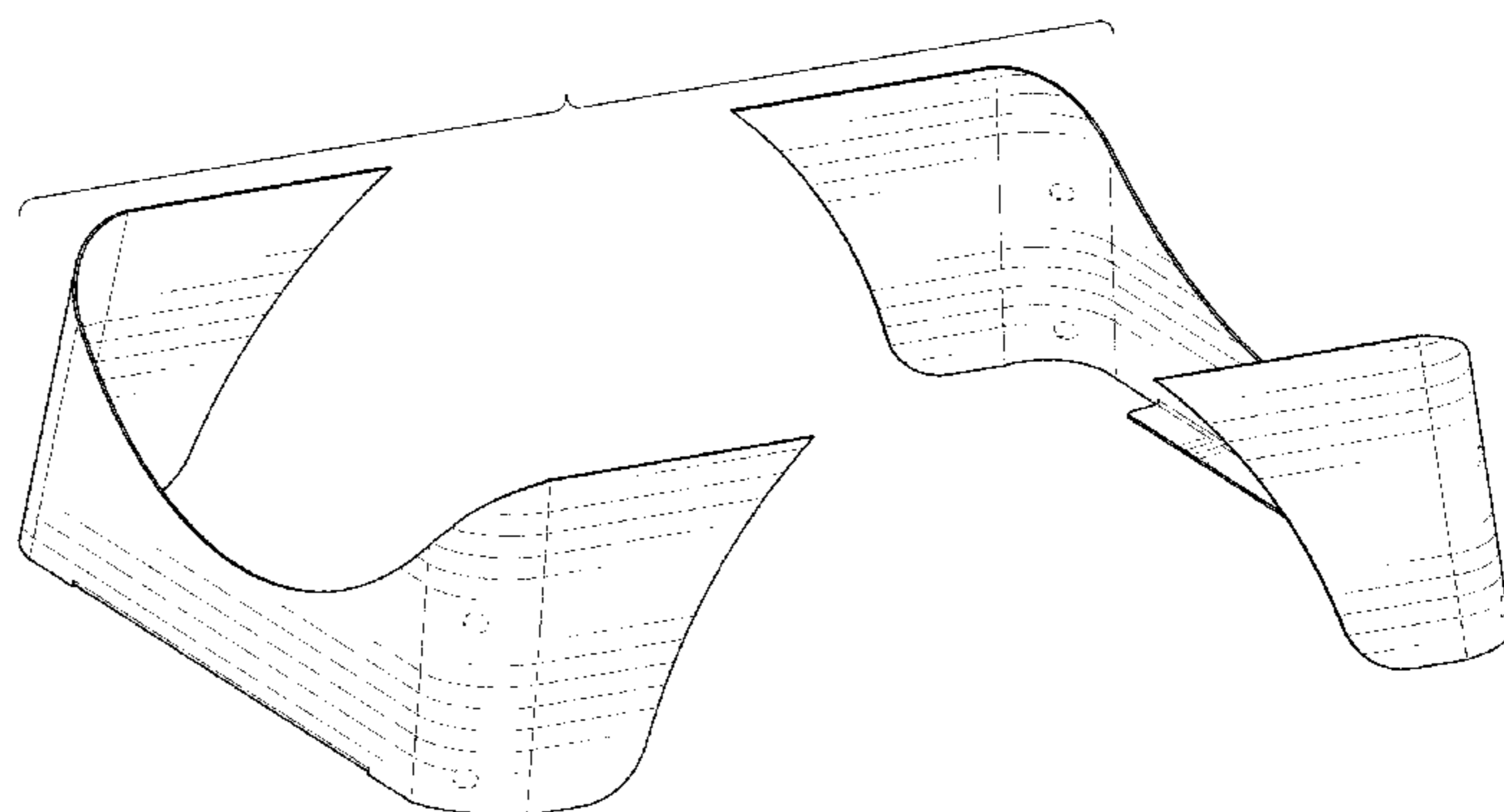
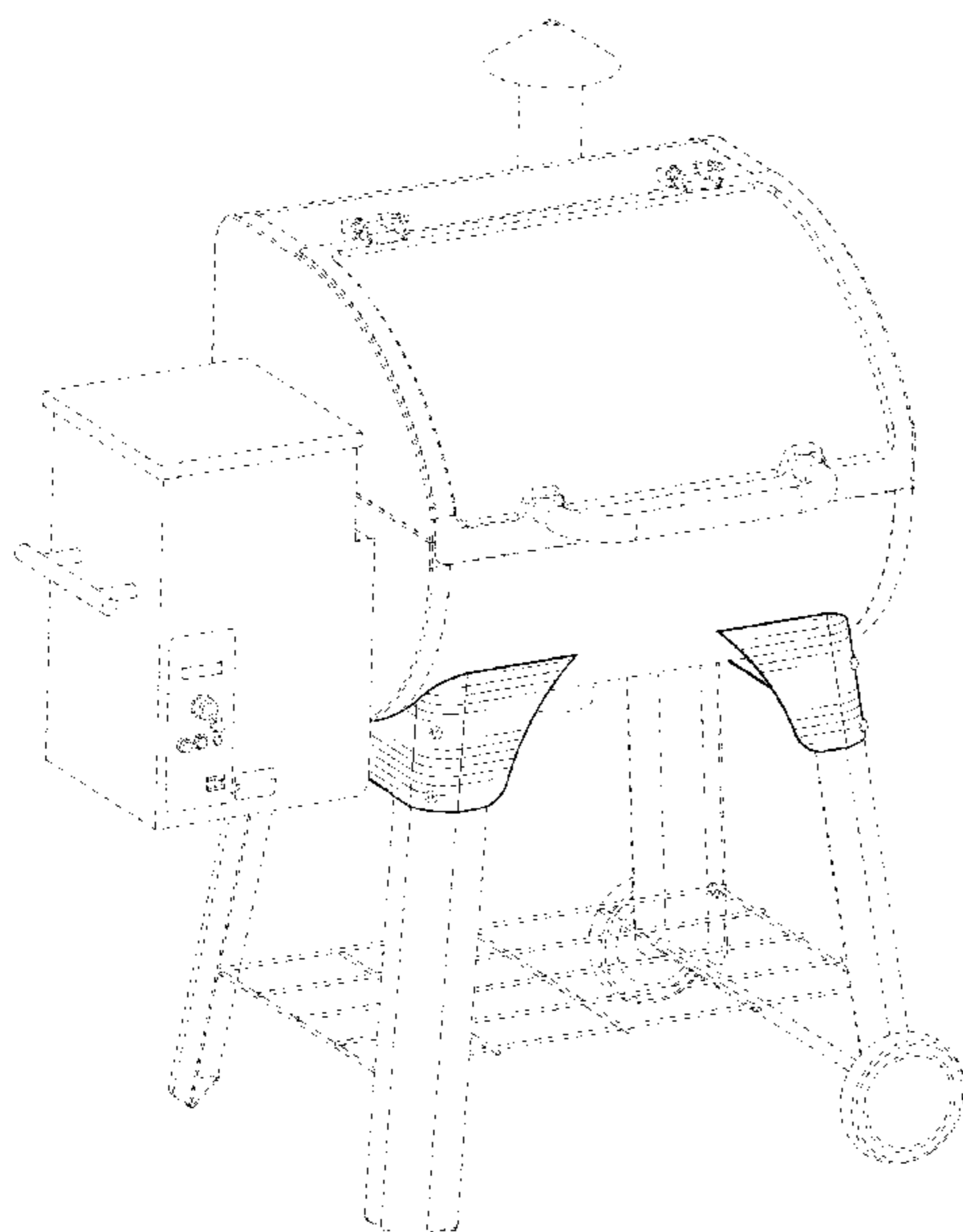
The ornamental design for a grill skirt, as shown and described.

DESCRIPTION

FIG. 1 is an isometric view within a grill environment;
FIG. 2 is an isometric view;
FIG. 3 is a front view;
FIG. 4 is a left side view;
FIG. 5 is a top view; and,
FIG. 6 is a bottom view.

The broken lines immediately adjacent the shaded areas represent the bounds of the claimed design while all other broken lines are directed to environment and are for illustrative purposes only; the broken lines form no part of the claimed design.

1 Claim, 6 Drawing Sheets



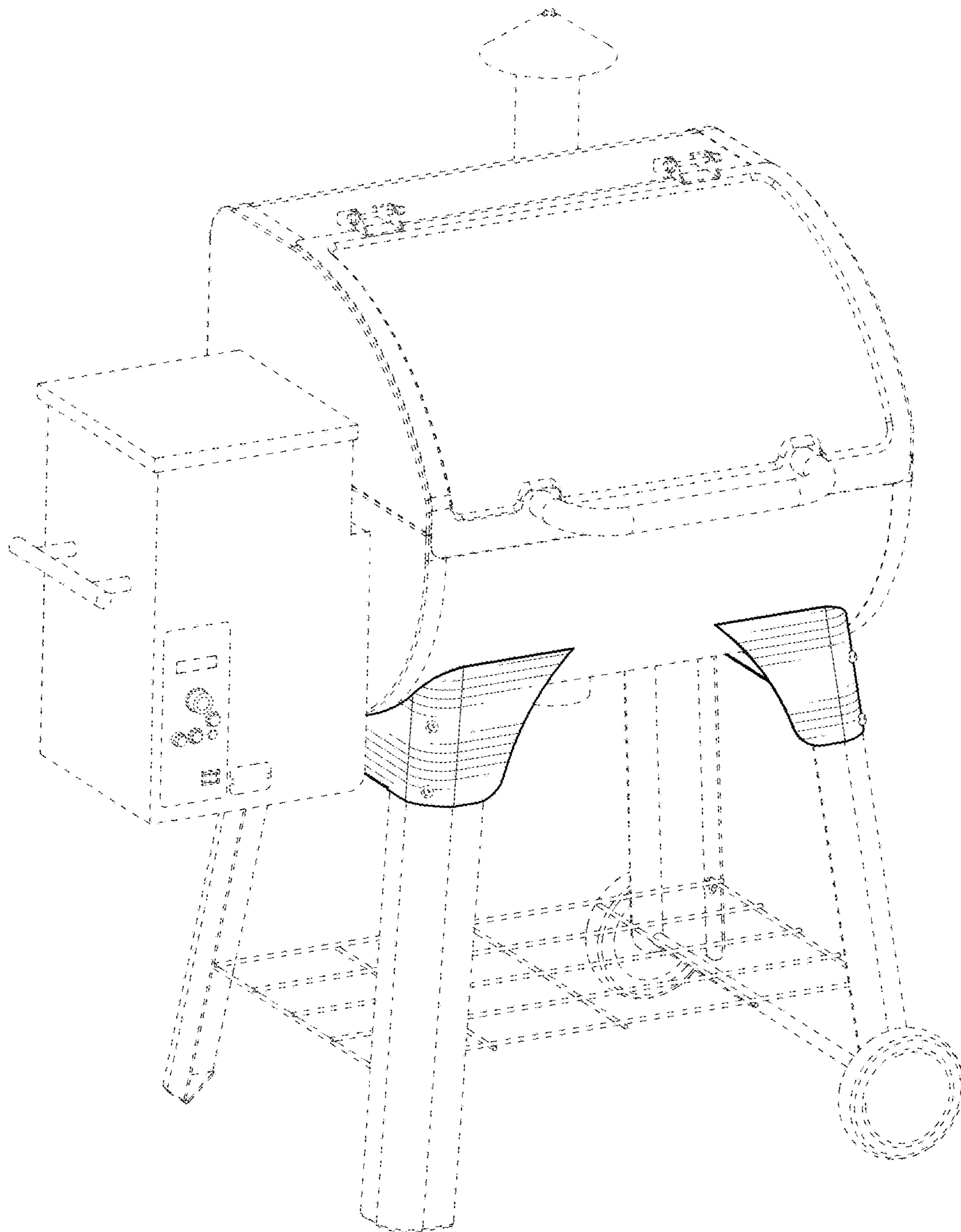


FIG. 1

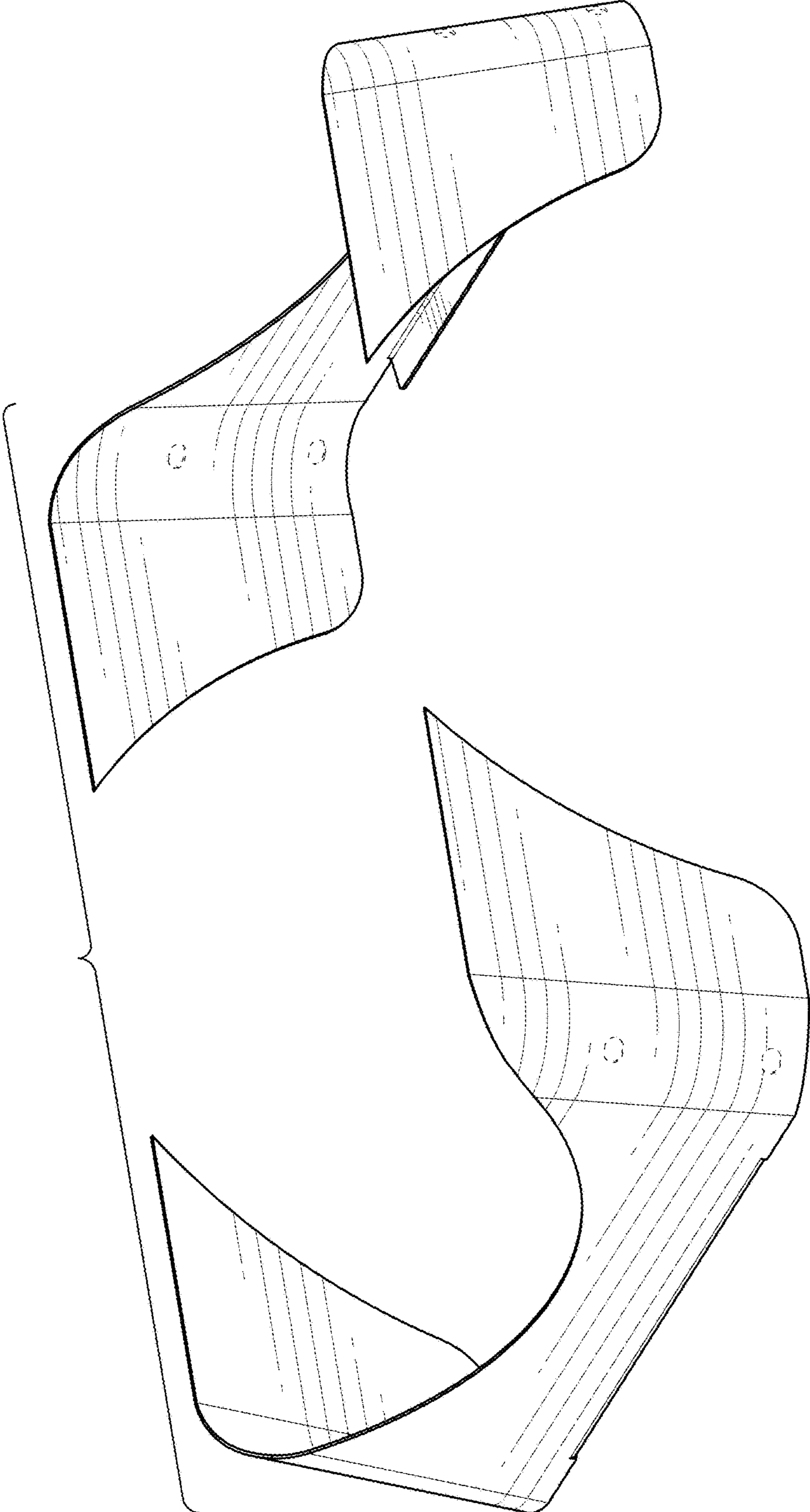


FIG. 2

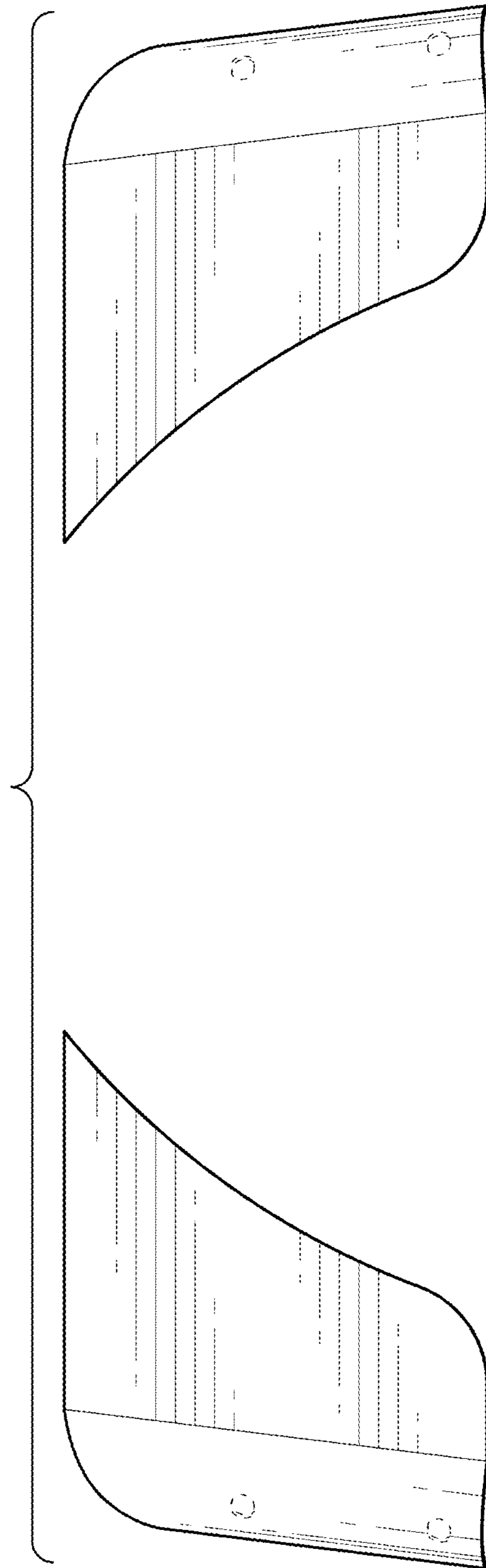


FIG. 3

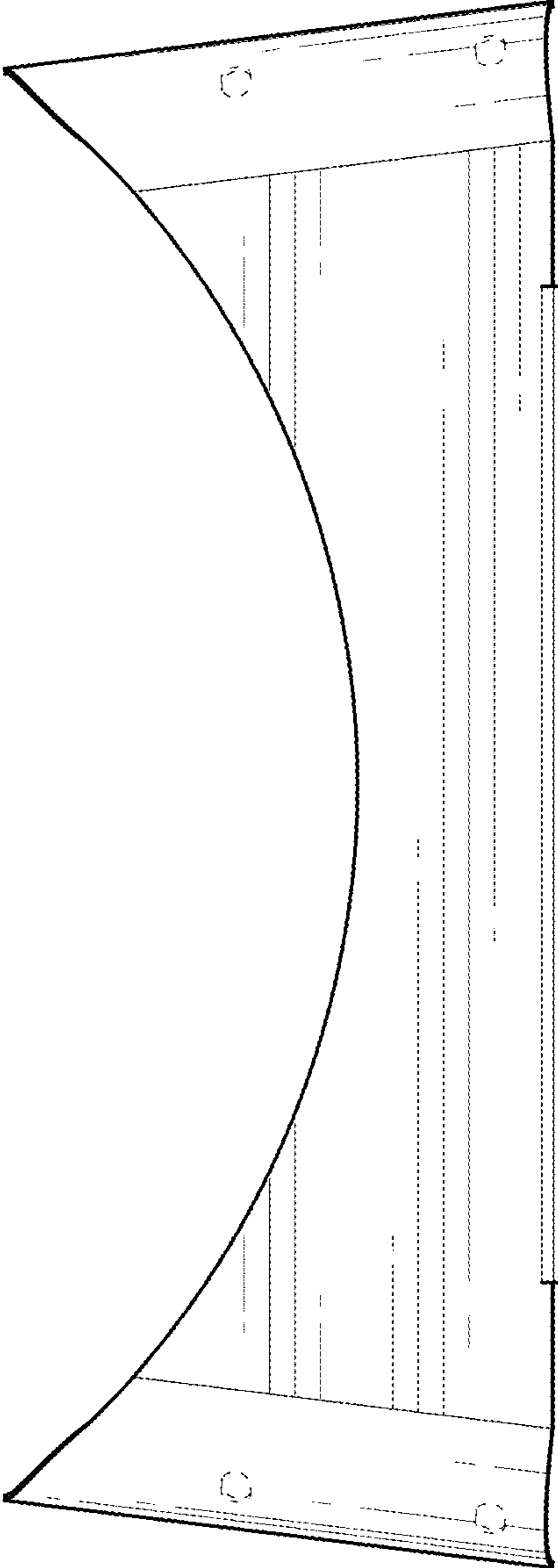


FIG. 4

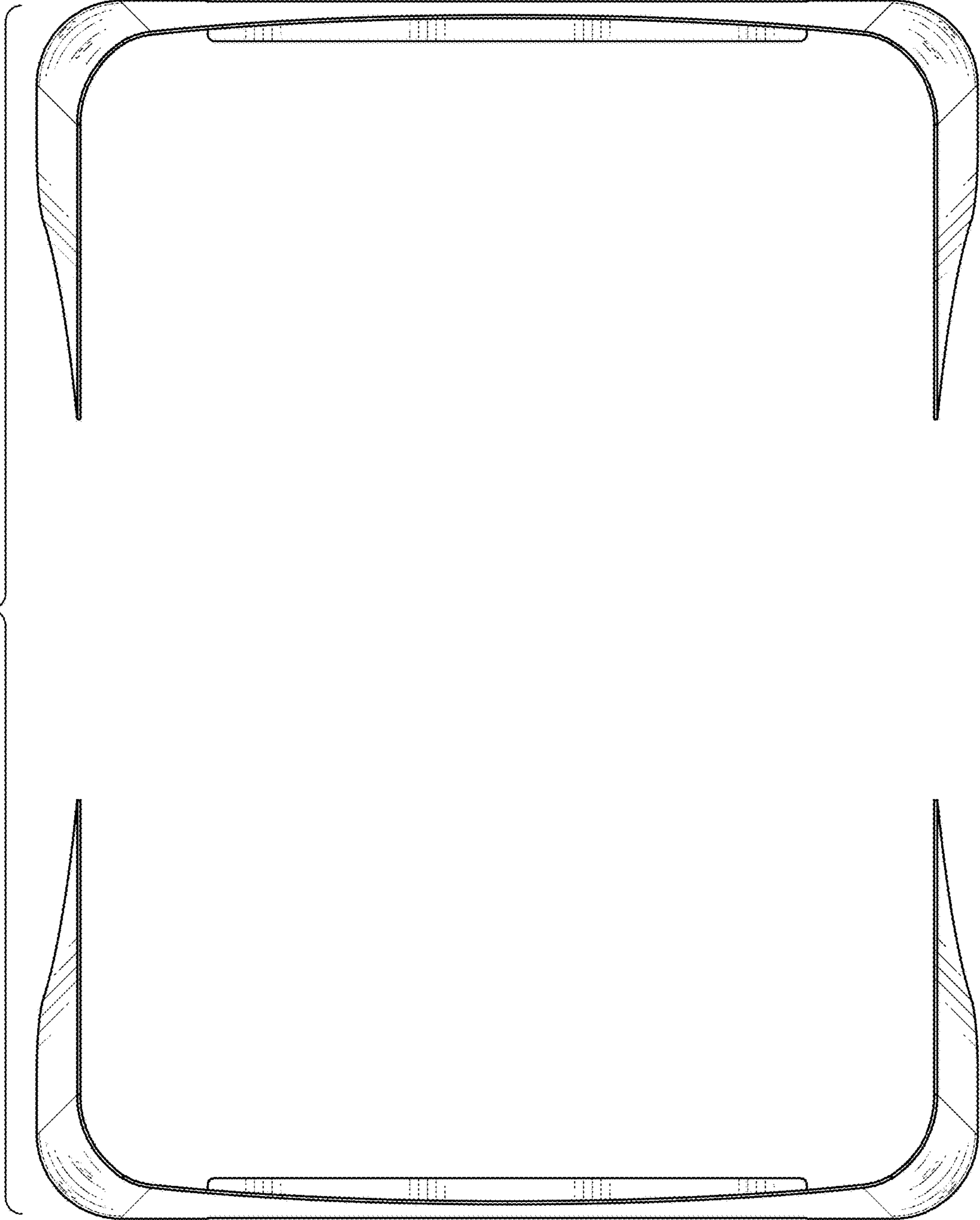


FIG. 5

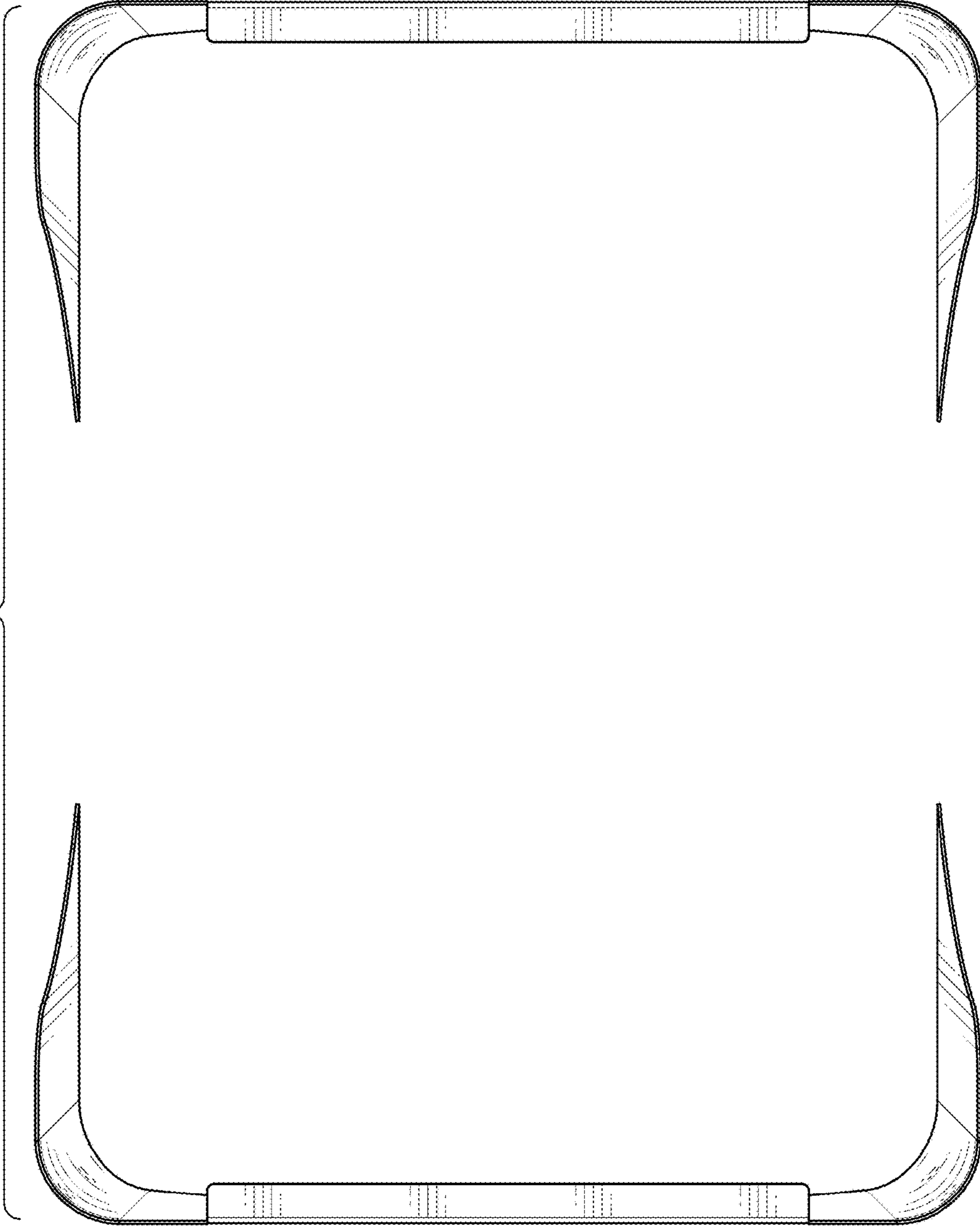


FIG. 6