



US00D844380S

(12) **United States Design Patent**  
**Berge**

(10) **Patent No.:** **US D844,380 S**

(45) **Date of Patent:** **\*\* Apr. 2, 2019**

(54) **SLOW COOKER LID**

- (71) Applicant: **National Presto Industries, Inc.**, Eau Claire, WI (US)
- (72) Inventor: **Michael R. Berge**, Eau Claire, WI (US)
- (73) Assignee: **National Presto Industries, Inc.**, Eau Claire, WI (US)
- (\*\*) Term: **15 Years**
- (21) Appl. No.: **29/597,564**
- (22) Filed: **Mar. 17, 2017**
- (51) **LOC (11) Cl.** ..... **07-02**
- (52) **U.S. Cl.**  
USPC ..... **D7/402**
- (58) **Field of Classification Search**  
USPC ..... D7/323, 330, 339, 354–355, 402  
CPC ..... A47J 27/004; A47J 36/10; H05B 1/0261  
See application file for complete search history.

(56) **References Cited**

**U.S. PATENT DOCUMENTS**

4,033,461 A	7/1977	Nevai
D275,643 S	9/1984	Petterson
D425,767 S	5/2000	Goslin
D427,480 S	7/2000	Brady
D451,335 S	12/2001	Rossman
D506,225 S	6/2005	Mills
D636,629 S	4/2011	Jerstroem et al.
D656,547 S	3/2012	Cacioppo
D708,486 S	7/2014	Terracciano
D720,454 S	12/2014	Sauer
8,899,421 B2	12/2014	Veltrop
D738,106 S	9/2015	Shitrit
D764,237 S	8/2016	Yen et al.

(Continued)

**FOREIGN PATENT DOCUMENTS**

DE 20 2016 103 774 U1 11/2017

**OTHER PUBLICATIONS**

Traveling Slow Cooker, Posted 2016 [Online], Retrieved Feb. 13, 2017, Retrieved from Internet, <https://www.gopresto.com/products/products.php?stock=06011>, 2 pages.

(Continued)

*Primary Examiner* — Michael A. Pratt

(74) *Attorney, Agent, or Firm* — Patterson Thuent Pedersen, P.A.

(57) **CLAIM**

I claim the ornamental design for slow cooker lid, as shown and described.

**DESCRIPTION**

FIG. 1 is a front view of a slow cooker lid according to an embodiment of the invention.

FIG. 2 is a right side view of the slow cooker lid depicted in FIG. 1.

FIG. 3 is a rear view of the slow cooker lid depicted in FIG. 1.

FIG. 4 is a left side view of the slow cooker lid depicted in FIG. 1.

FIG. 5 is a front perspective view of the slow cooker lid depicted in FIG. 1.

FIG. 6 is a rear perspective view of the slow cooker lid depicted in FIG. 1.

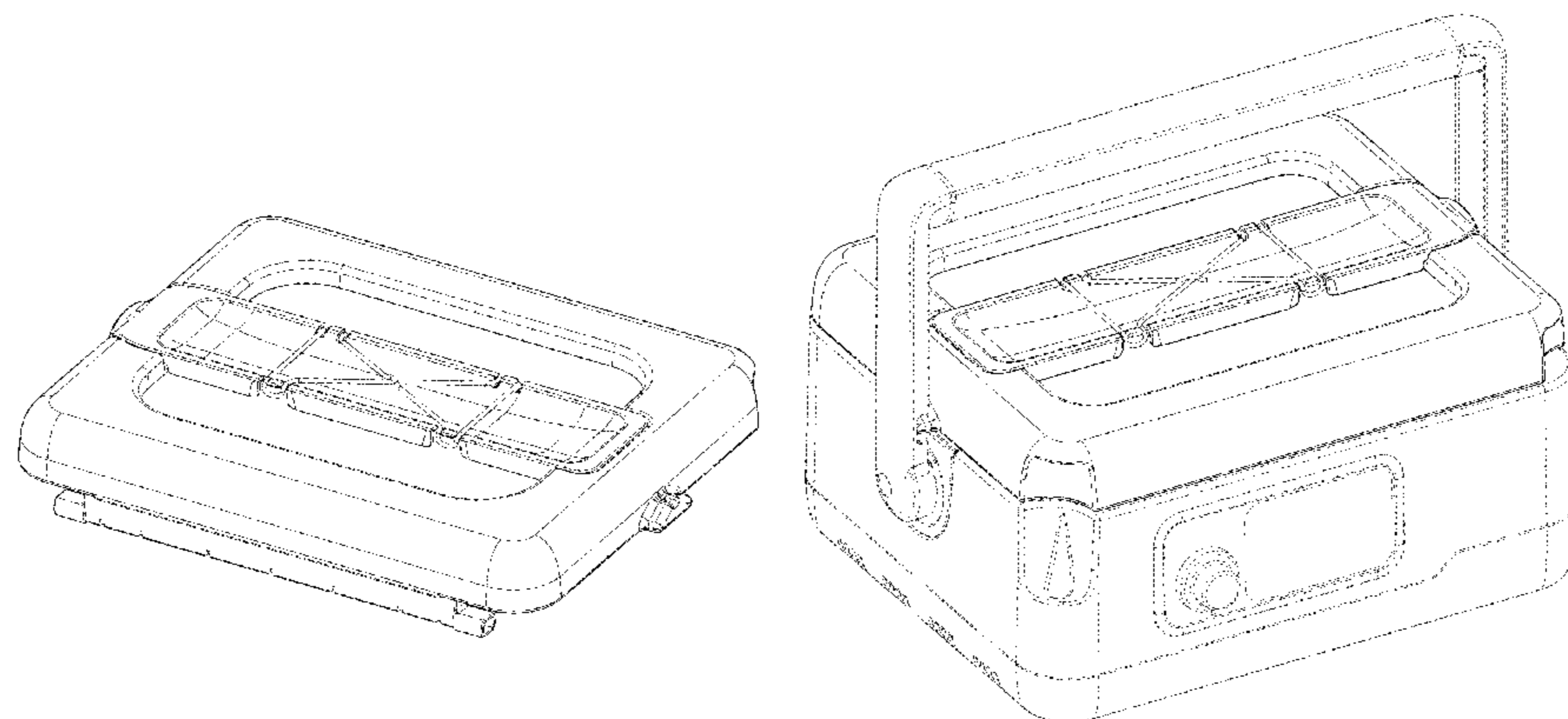
FIG. 7 is a top view of the slow cooker lid depicted in FIG. 1.

FIG. 8 is a bottom view of the slow cooker lid depicted in FIG. 1.

FIG. 9 is a front perspective view of the slow cooker lid depicted in FIG. 1 in use with a slow cooker; and, FIG. 10 is a rear perspective view of the slow cooker lid depicted in FIG. 1 in use with a slow cooker.

Items shown in broken lines are for illustrative purposes only and form no part of the claimed invention.

**1 Claim, 10 Drawing Sheets**



(56)

References Cited

OTHER PUBLICATIONS

U.S. PATENT DOCUMENTS

D780,534	S	3/2017	Oliver	
D788,518	S	6/2017	Aggarwal	
D799,822	S	10/2017	Kanda et al.	
D801,684	S	11/2017	Chang	
D802,924	S	11/2017	Mahanavanont	
D807,708	S	1/2018	Grepper et al.	
D808,228	S	1/2018	Weernink	
D824,199	S	7/2018	Liu et al.	
2003/0079949	A1	5/2003	Harvey	
2006/0283866	A1	12/2006	Mendenhall	
2007/0210061	A1	9/2007	Tynes	
2009/0090252	A1	4/2009	Ewald	
2010/0129502	A1	5/2010	Feinberg	
2013/0011537	A1	1/2013	Vahid	
2013/0228485	A1	9/2013	Roach et al.	
2016/0008973	A1	1/2016	Bensman et al.	
2018/0006362	A1	1/2018	Williams	
2018/0206664	A1*	7/2018	Krasne .....	A47J 36/2483
2018/0209776	A1	7/2018	Sun et al.	
2018/0211069	A1	7/2018	Simpson	
2018/0263400	A1*	9/2018	Berge .....	A47J 27/002

Coleman Hard Coolers web page printed May 25, 2017, 6 pages.  
 Igloo Small Coolers web page printed May 25, 2017, 5 pages.  
 "NPL 1", (via YouTube), available Oct. 9, 2017, [online], [sited visited Oct. 23, 2018]. Video available from internet, <URL:https://www.youtube.com/watch?time\_continue=8&v=01HdwMuPNa0> (Year: 2017).  
 "NPL 2", available Jun. 17, 2017, [online], [site visited Oct. 23, 2018]. Available from Internet, <URL:https://www.amazon.com/dp/B07222M9FK/?tag=natioprest-20> (Year: 2017).  
 "NPL 3," available Oct. 23, 2018, [online], [site visited Oct. 23, 2018]. Available from Internet, URL:https://www.gopresto.com/product/presto-6-quart-nomad-traveling-slow-cooker-06011> (Year: 2018).  
 "NPL 4," available Mar. 20, 2015, [online], [site visited Dec. 12, 2018]. Available from Internet, URL:https://www.youtube.com/watch?v=CCqTzPOPx6s> (Year: 2015).

\* cited by examiner

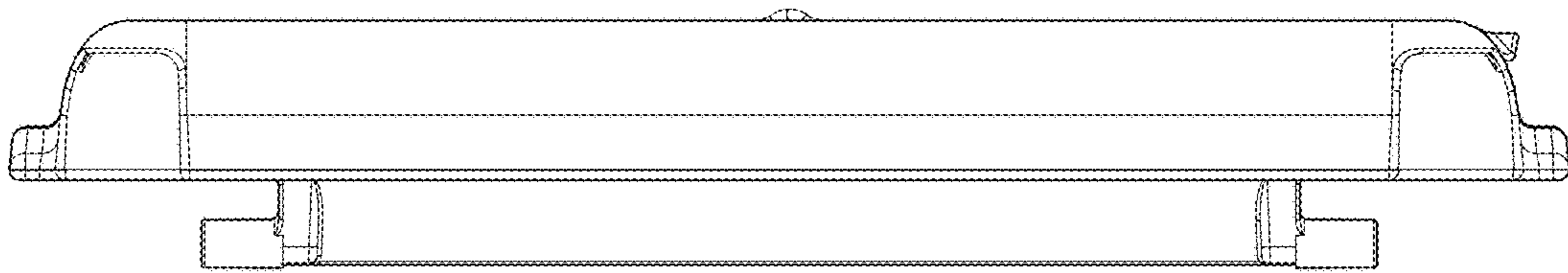


FIG. 1

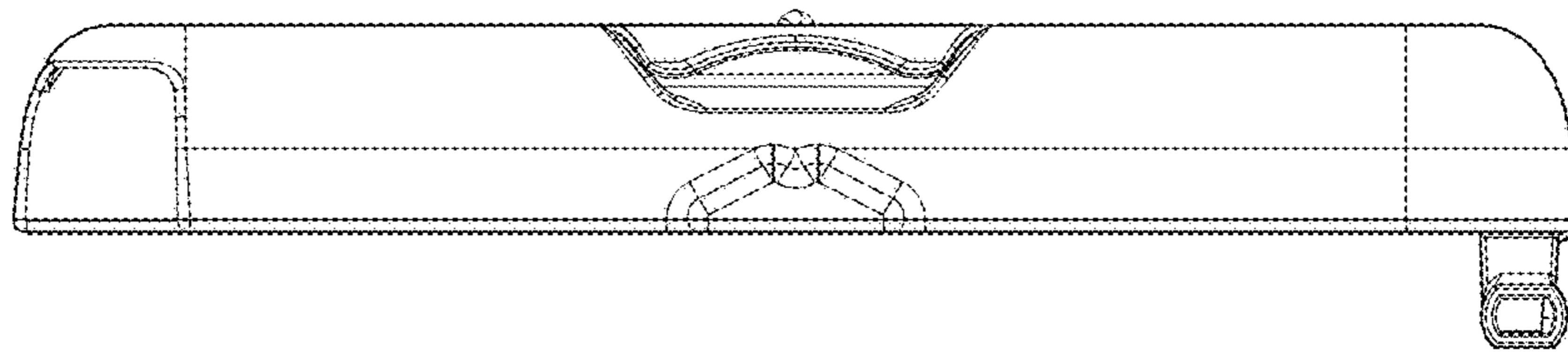


FIG. 2

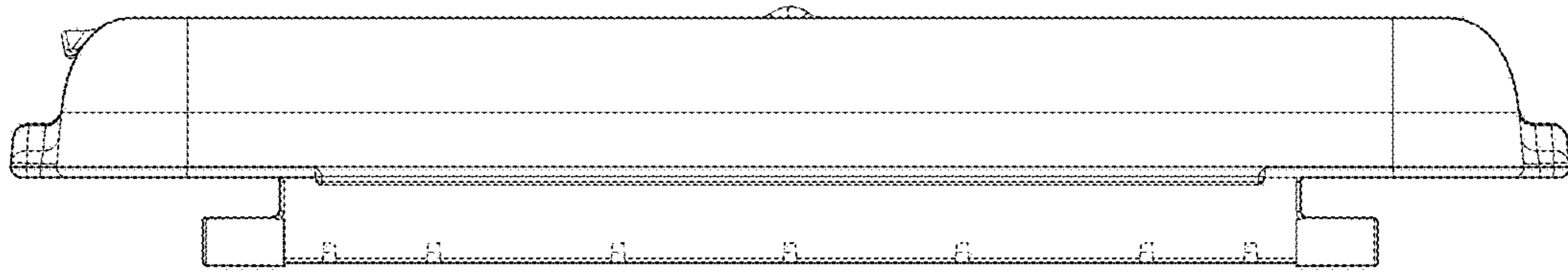


FIG. 3

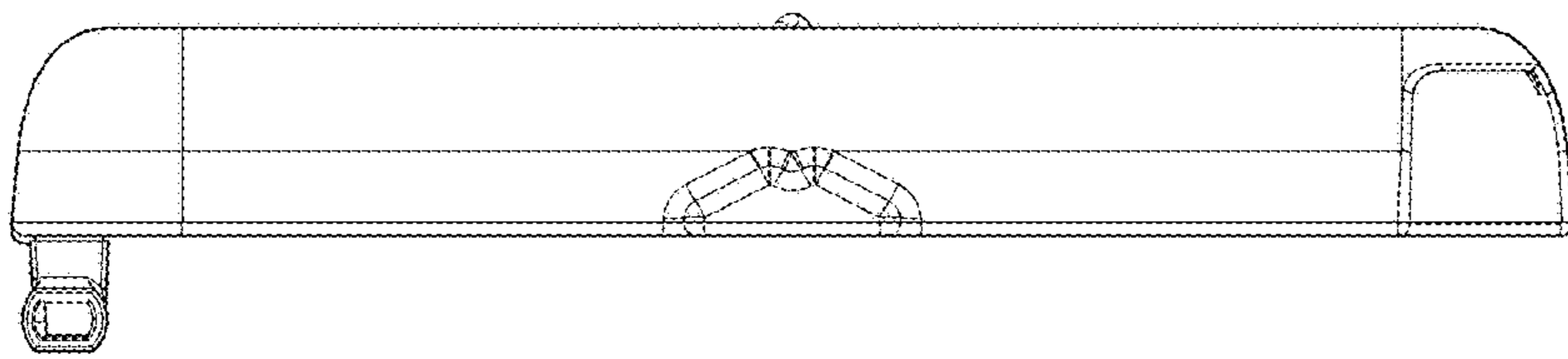


FIG. 4

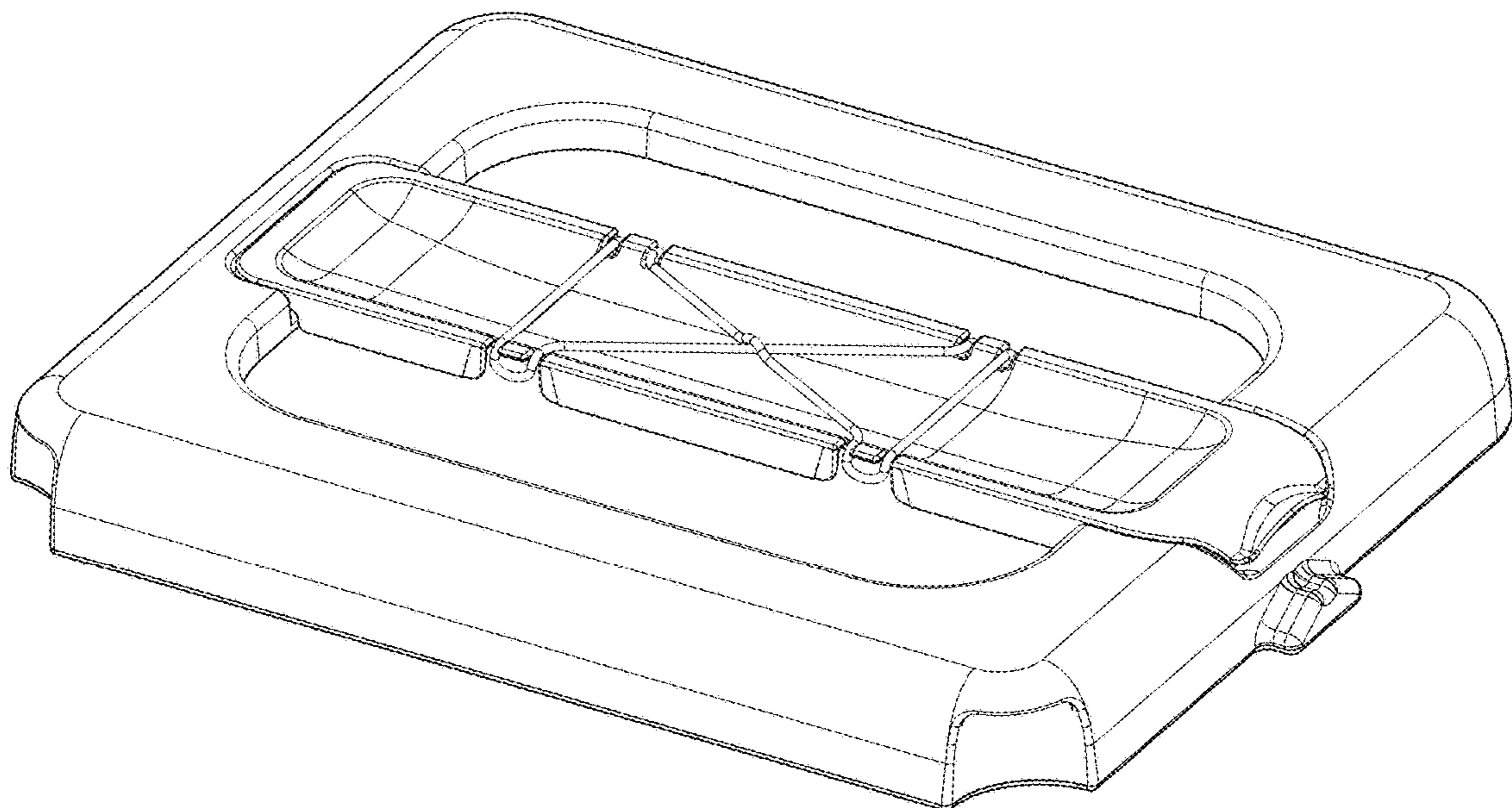


FIG. 5

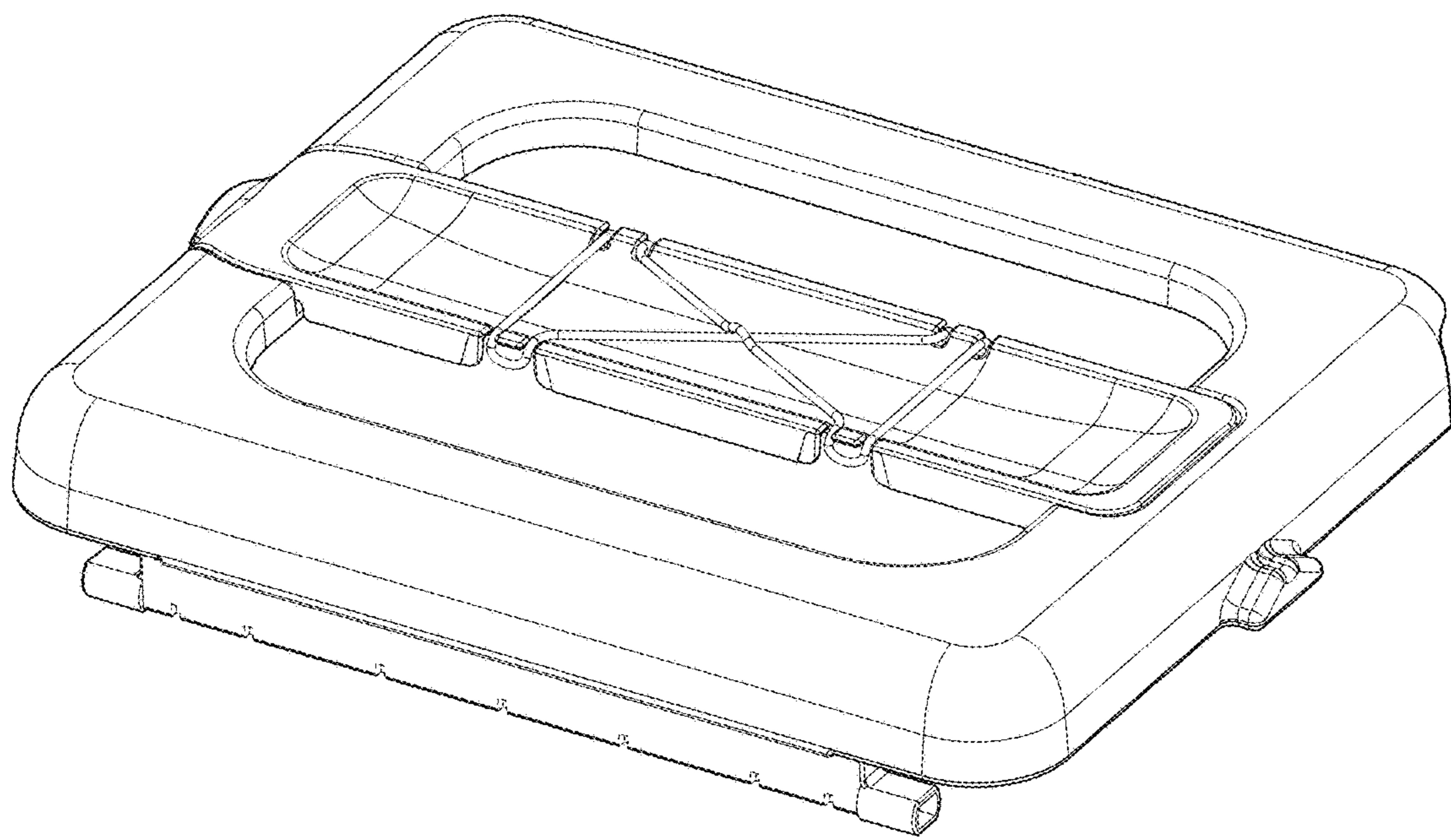


FIG. 6



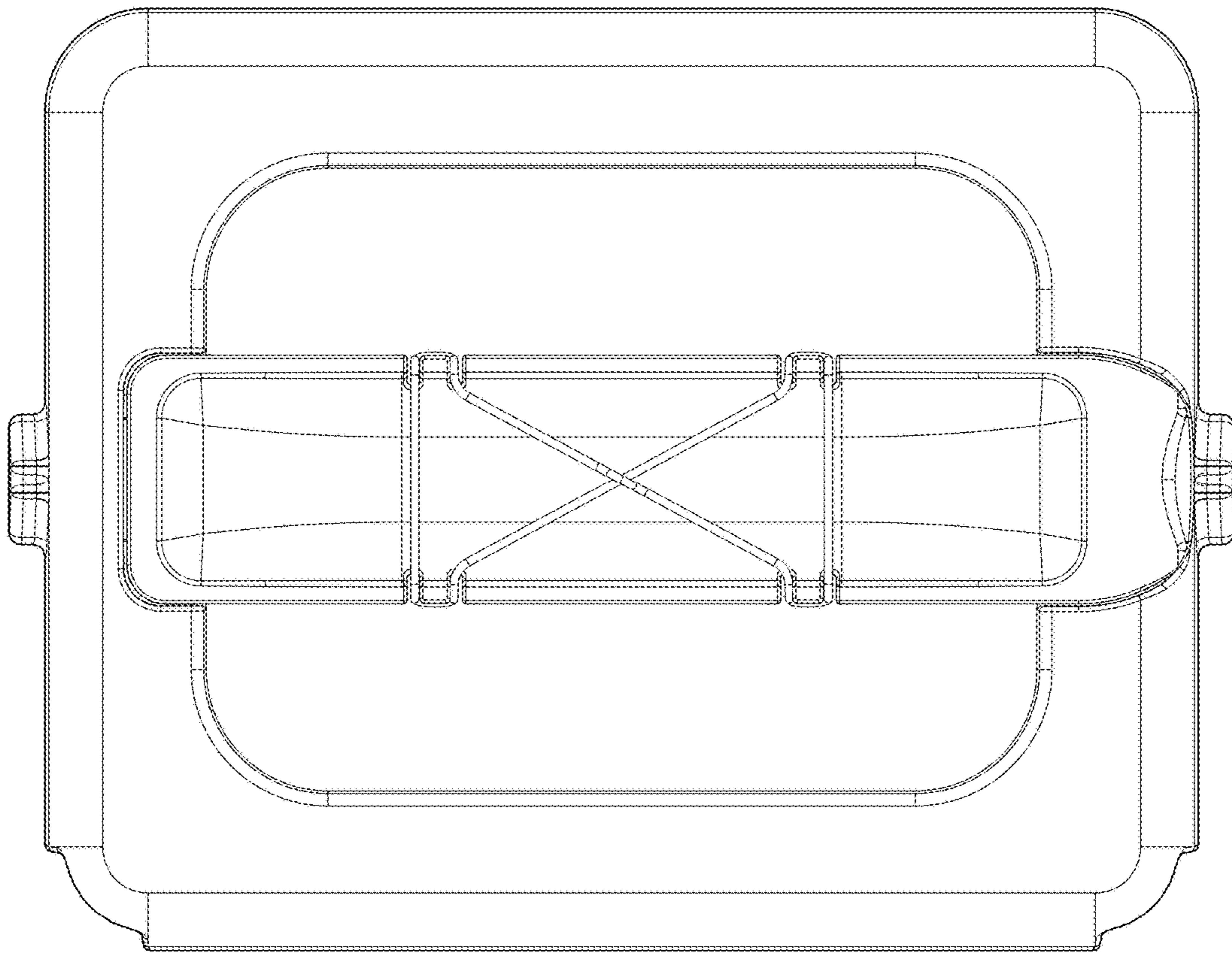


FIG. 7

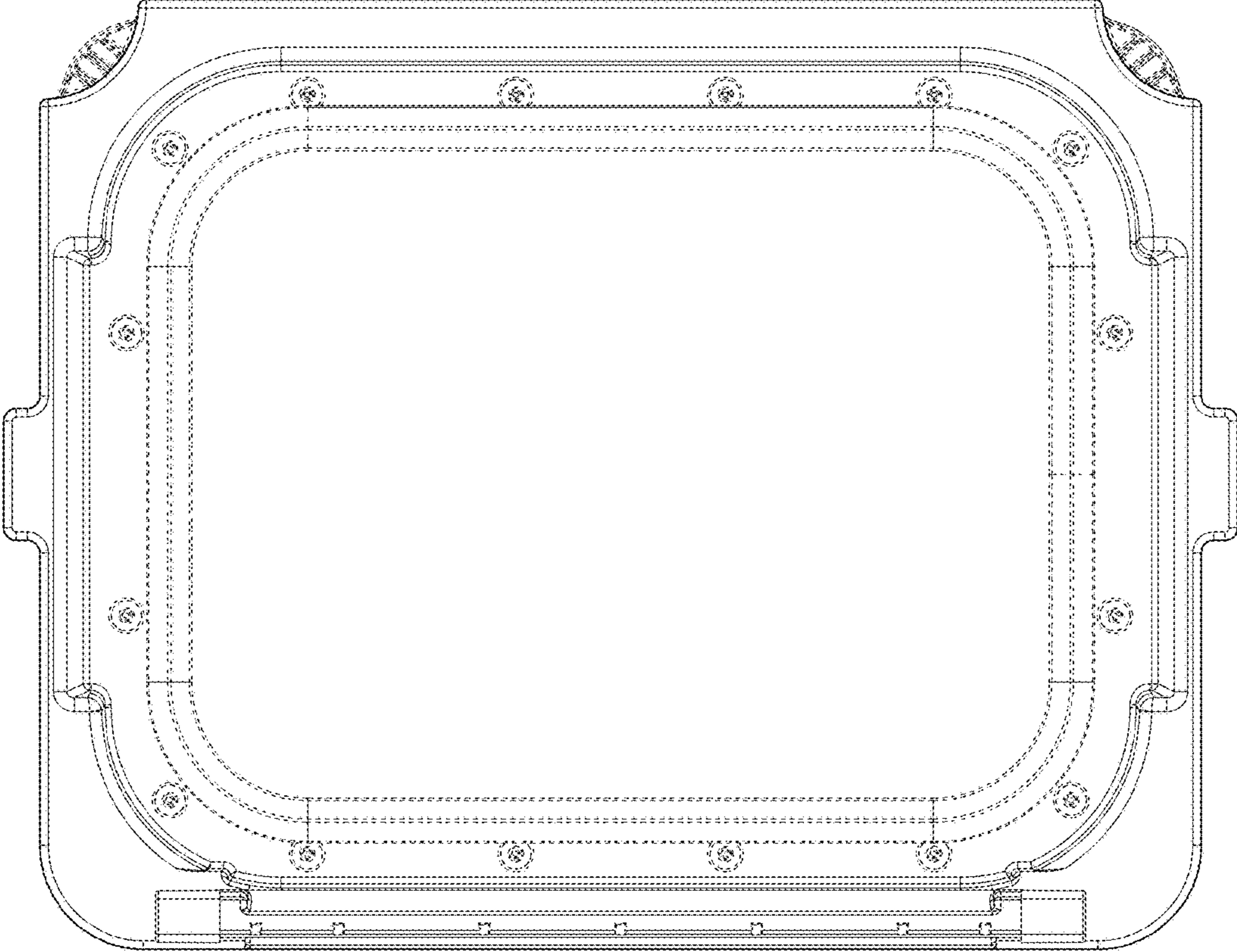


FIG.8

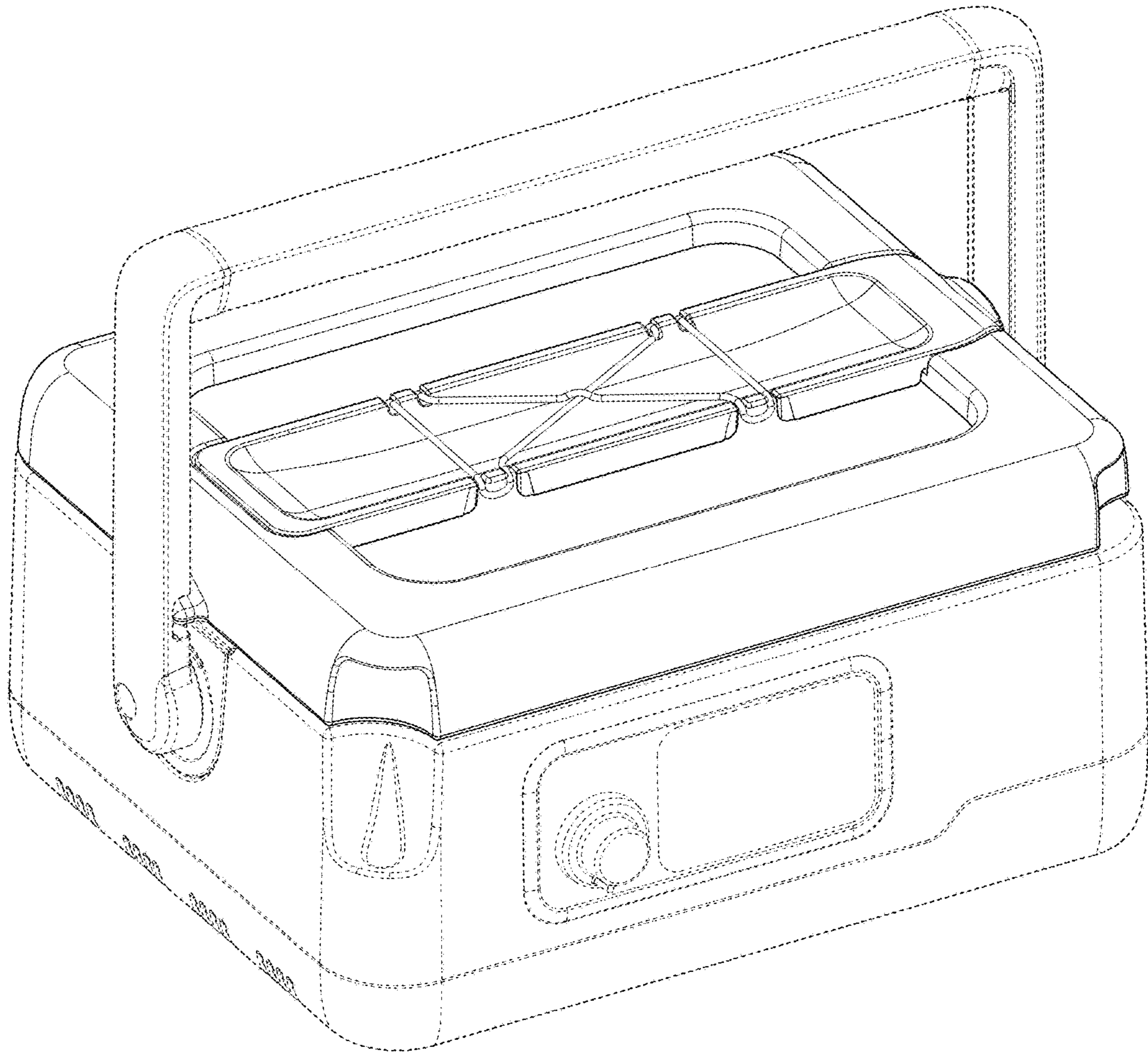


FIG. 9

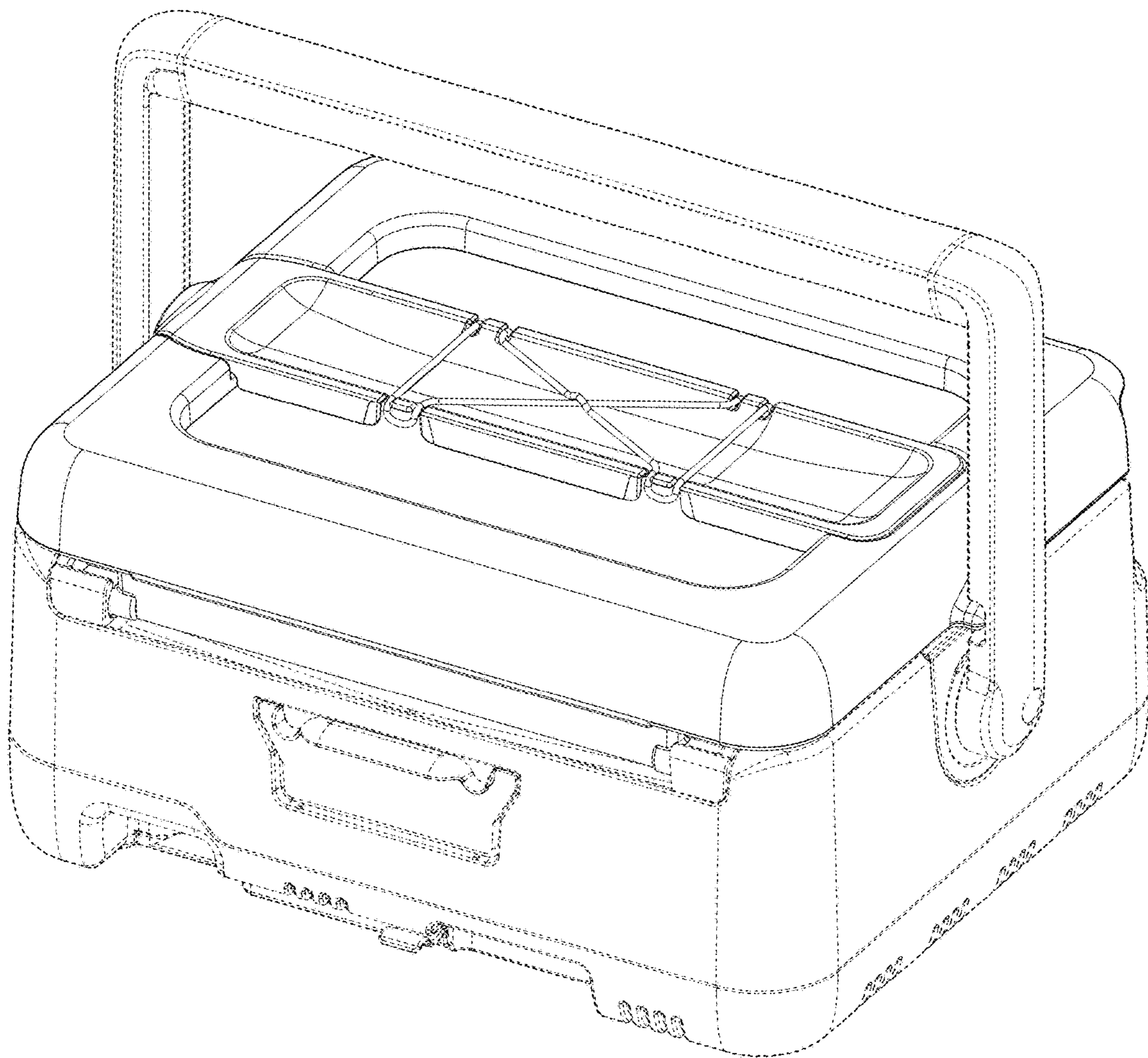


FIG. 10