



US00D844379S

(12) **United States Design Patent**  
**Simonazzi**

(10) **Patent No.:** **US D844,379 S**

(45) **Date of Patent:** **\*\* Apr. 2, 2019**

(54) **COFFEE CAPSULE**

(71) Applicant: **FLO-SOCIETA' PER AZIONI**,  
Fontanellato (PR) (IT)

(72) Inventor: **Daniele Simonazzi**, Sant'Ilario d'Enza  
(IT)

(73) Assignee: **FLO-SOCIETA' PER AZIONI**,  
Fontanellato (PR) (IT)

(\*\*) Term: **15 Years**

(21) Appl. No.: **29/600,539**

(22) Filed: **Apr. 13, 2017**

(51) **LOC (11) Cl.** ..... **07-99**

(52) **U.S. Cl.**  
USPC ..... **D7/400**; D9/429

(58) **Field of Classification Search**  
USPC ..... D7/400, 399, 397, 700, 369, 667;  
99/289 D, 323; D9/429, 416, 503, 428,  
D9/520; 210/481  
CPC ..... A47J 31/02; A47G 19/00; B65D 85/808  
See application file for complete search history.

(56) **References Cited**

**U.S. PATENT DOCUMENTS**

D288,065 S *	2/1987	Tyler	.....	D9/429
D606,363 S *	12/2009	Aardenburg	.....	D7/400
D628,883 S *	12/2010	Stephens	.....	D9/429
8,906,440 B2 *	12/2014	Otto	.....	A47J 31/0642 426/433
9,108,794 B2 *	8/2015	Fu	.....	A47J 31/08
D747,139 S *	1/2016	Rondelli	.....	D7/400
D753,483 S *	4/2016	Accursi	.....	D9/429
D766,078 S *	9/2016	Hansen	.....	D9/416
9,452,879 B2 *	9/2016	Fu	.....	A47J 31/08
D796,898 S *	9/2017	Robotti	.....	D7/400

D797,503 S *	9/2017	Robotti	.....	D7/400
D822,430 S *	7/2018	Hansen	.....	D7/400
2014/0178537 A1 *	6/2014	Zweed	.....	B65D 85/8043 426/115
2014/0196608 A1 *	7/2014	Amrein	.....	B65D 85/8043 99/295
2014/0238249 A1 *	8/2014	Mariller	.....	A47J 31/3623 99/295
2014/0318380 A1 *	10/2014	Doglioni Majer	.....	B65D 85/8043 99/295
2015/0037470 A1 *	2/2015	Zweed	.....	A47J 31/0673 426/115
2015/0108011 A1 *	4/2015	Bartoli	.....	A47J 31/407 206/0.5
2015/0183575 A1 *	7/2015	Doglioni Majer	.....	B65D 85/8043 99/295
2016/0311608 A1 *	10/2016	Accursi	.....	A47J 31/3628

\* cited by examiner

*Primary Examiner* — Marianne N Pandozzi

(74) *Attorney, Agent, or Firm* — Volpe and Koenig, P.C.

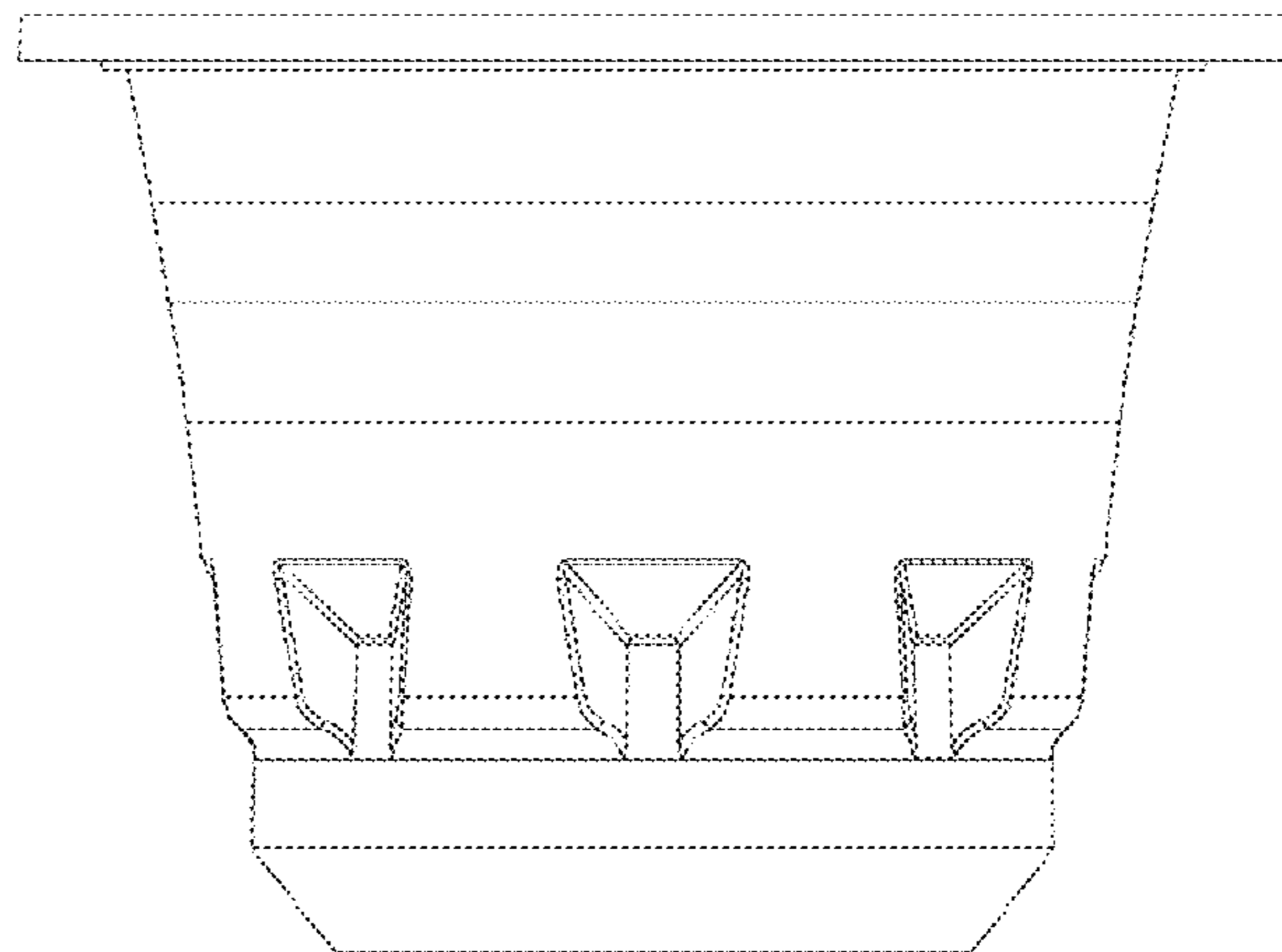
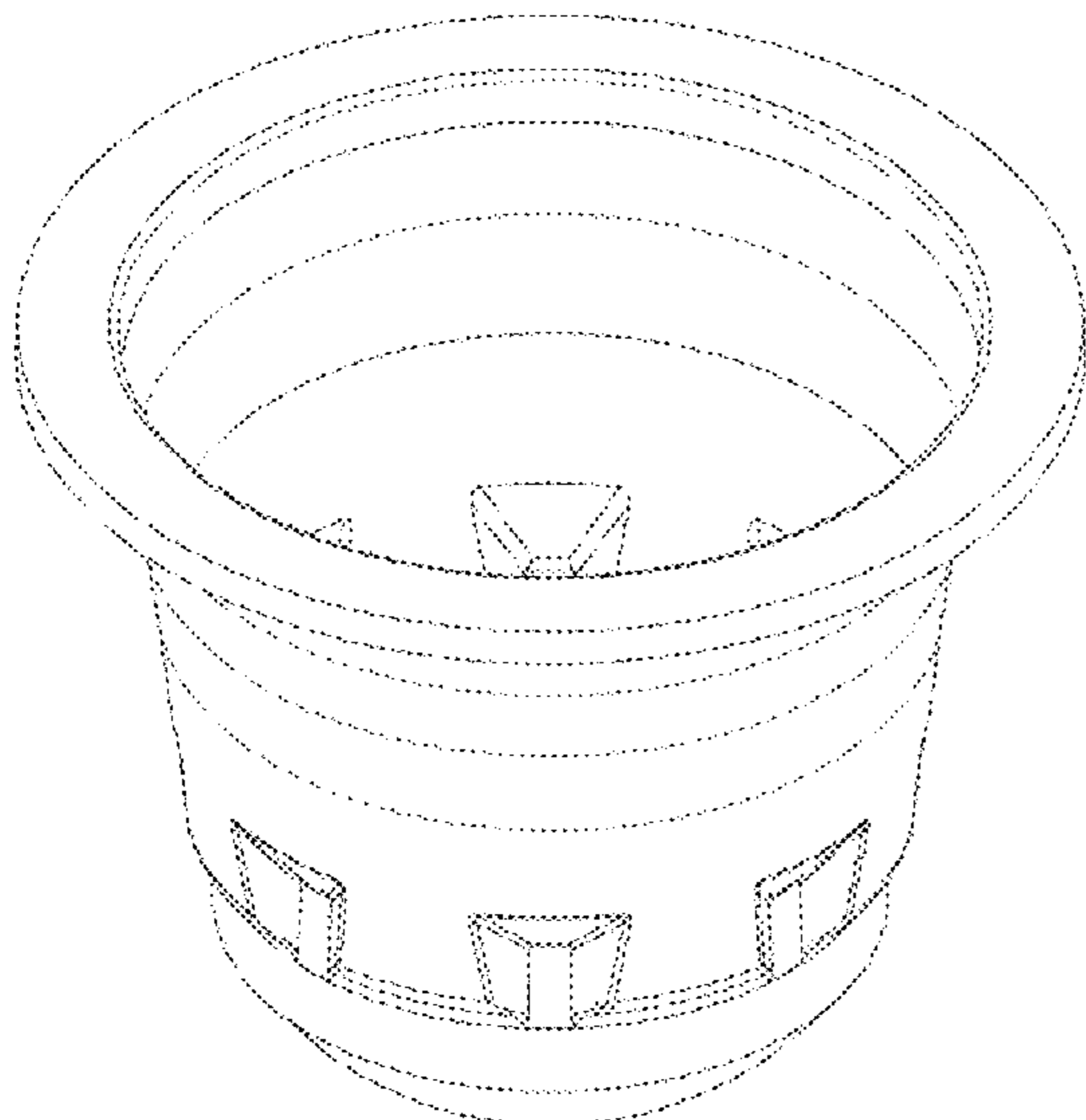
(57) **CLAIM**

The ornamental design for coffee capsule, as shown and described.

**DESCRIPTION**

FIG. 1 is a perspective view of a coffee capsule showing my new design;  
FIG. 2 is a bottom view of the coffee capsule of FIG. 1;  
FIG. 3 is a top view of the coffee capsule of FIG. 1;  
FIG. 4 is a right side view of the coffee capsule of FIG. 1, the left, front and rear views being identical thereto; and,  
FIG. 5 is a cross sectional view of the coffee capsule of FIG. 1 taken along line 5-5 of FIG. 4.

**1 Claim, 5 Drawing Sheets**



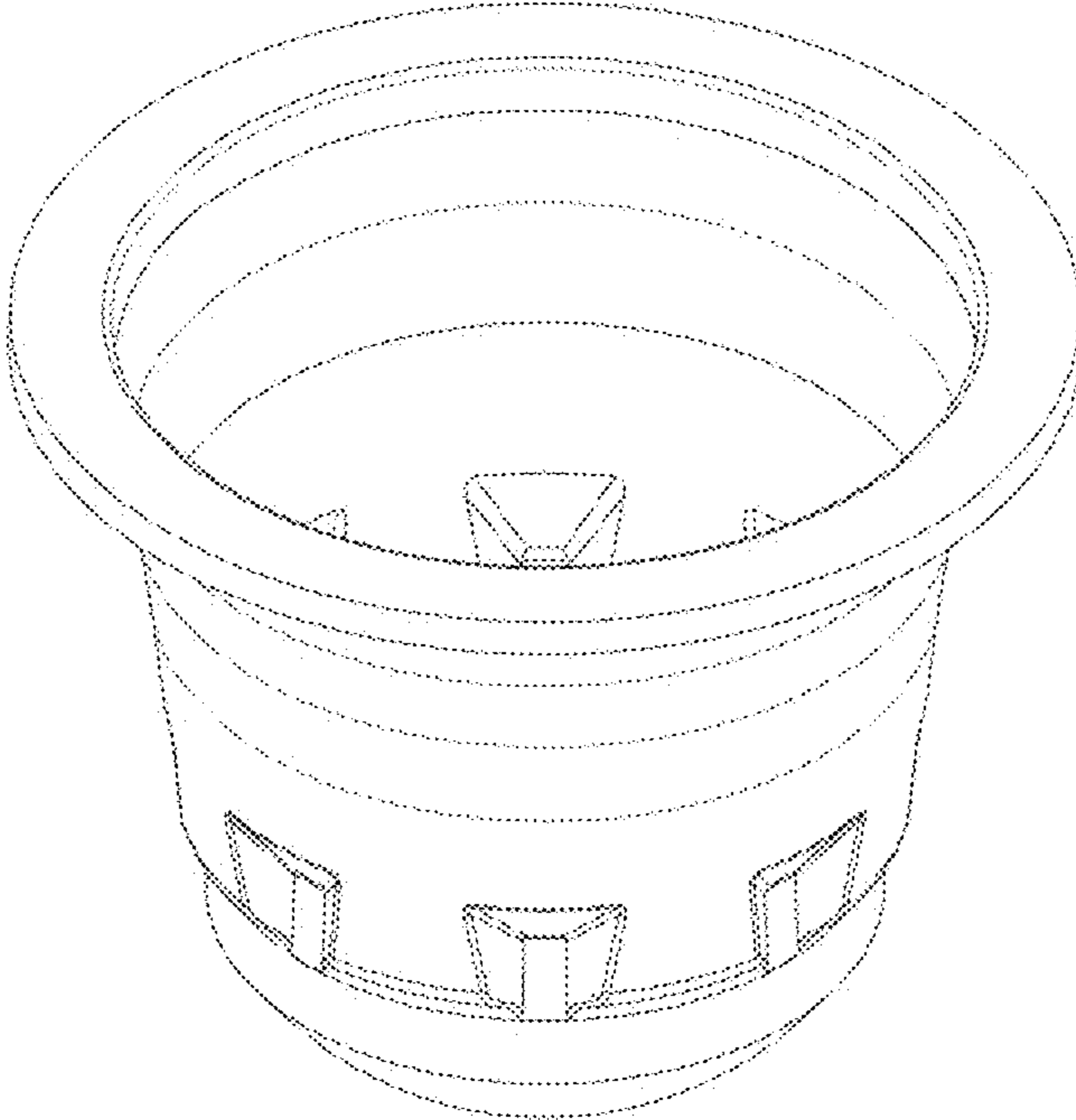


FIG. 1

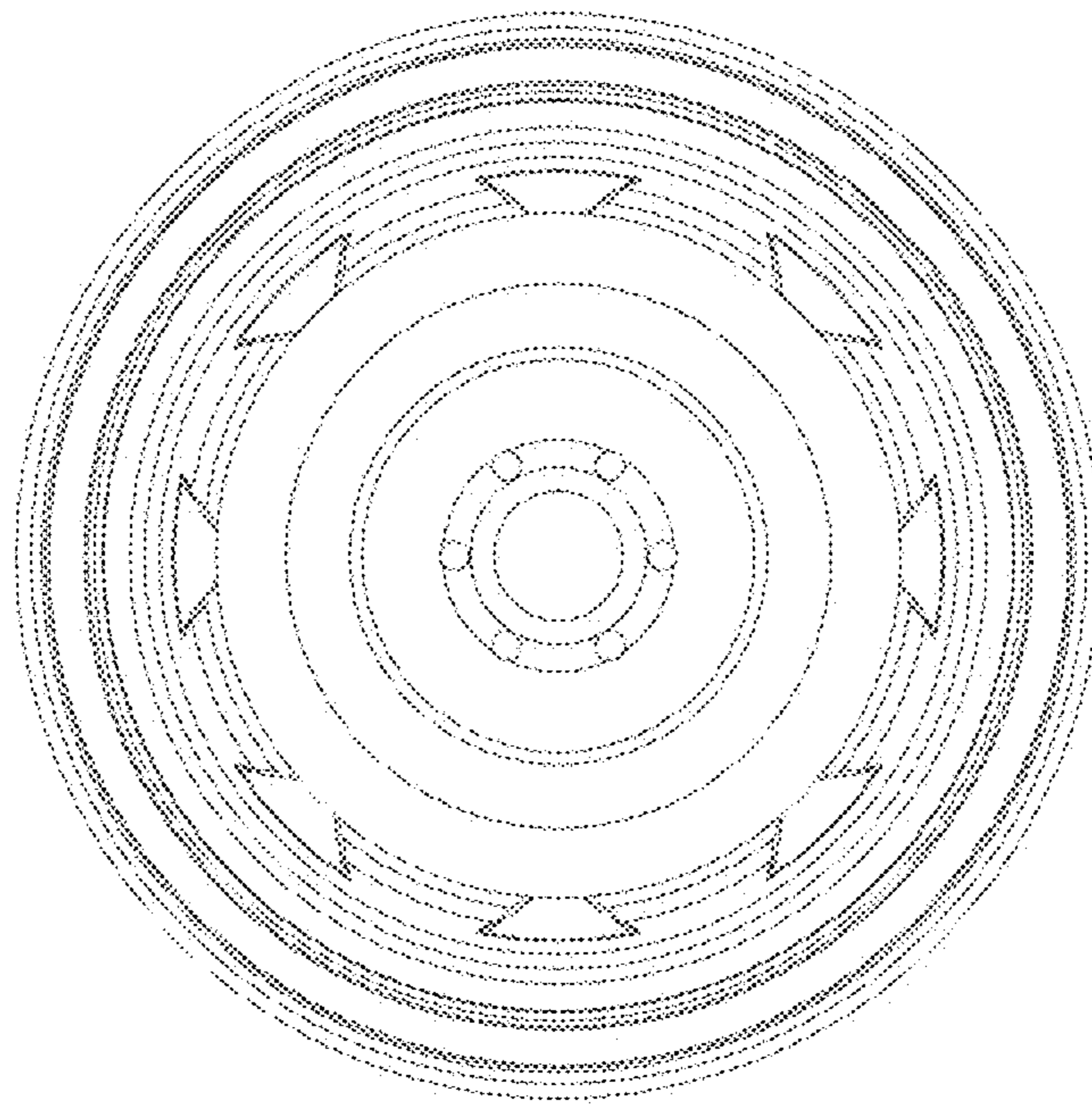


FIG. 2

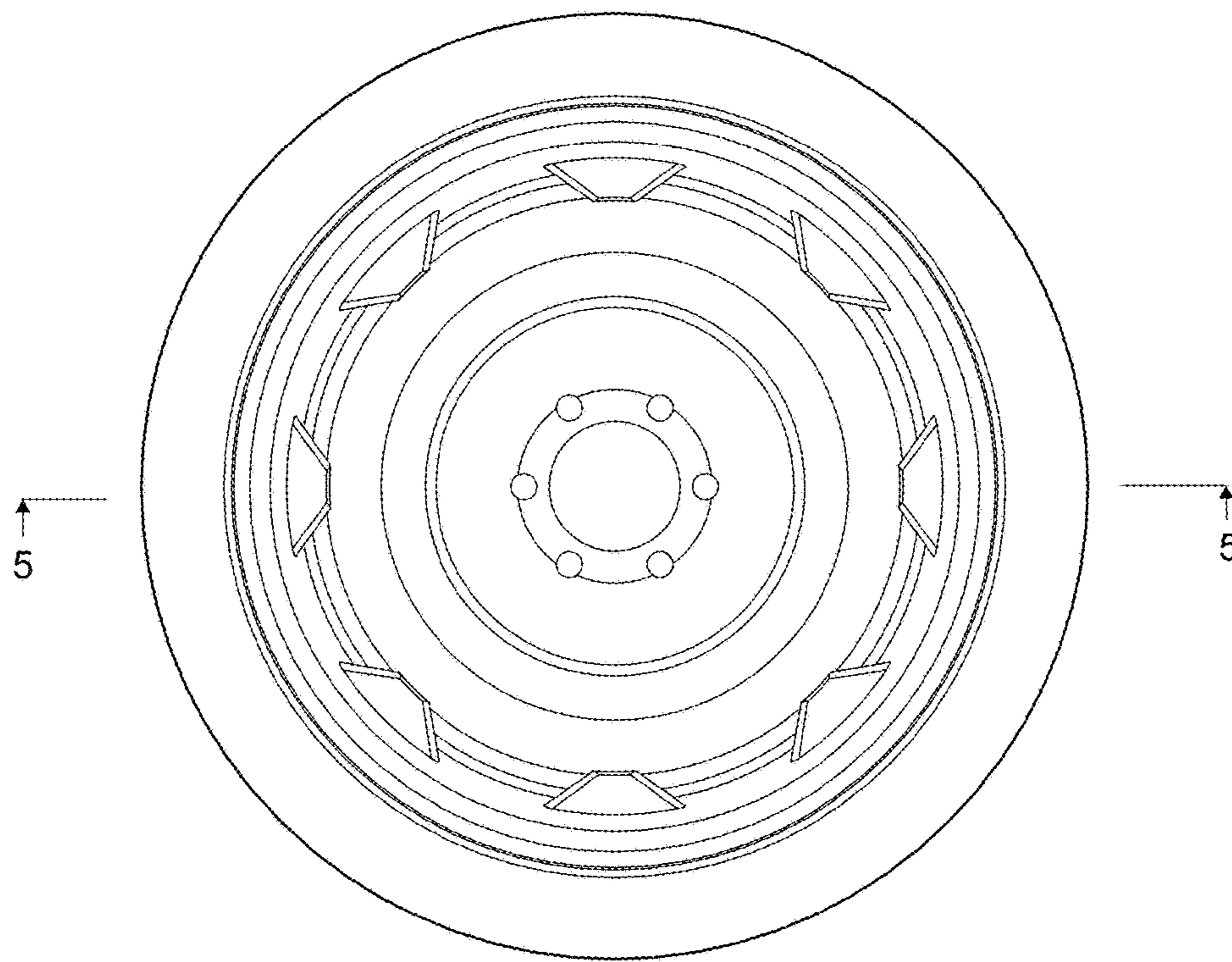


Fig. 3

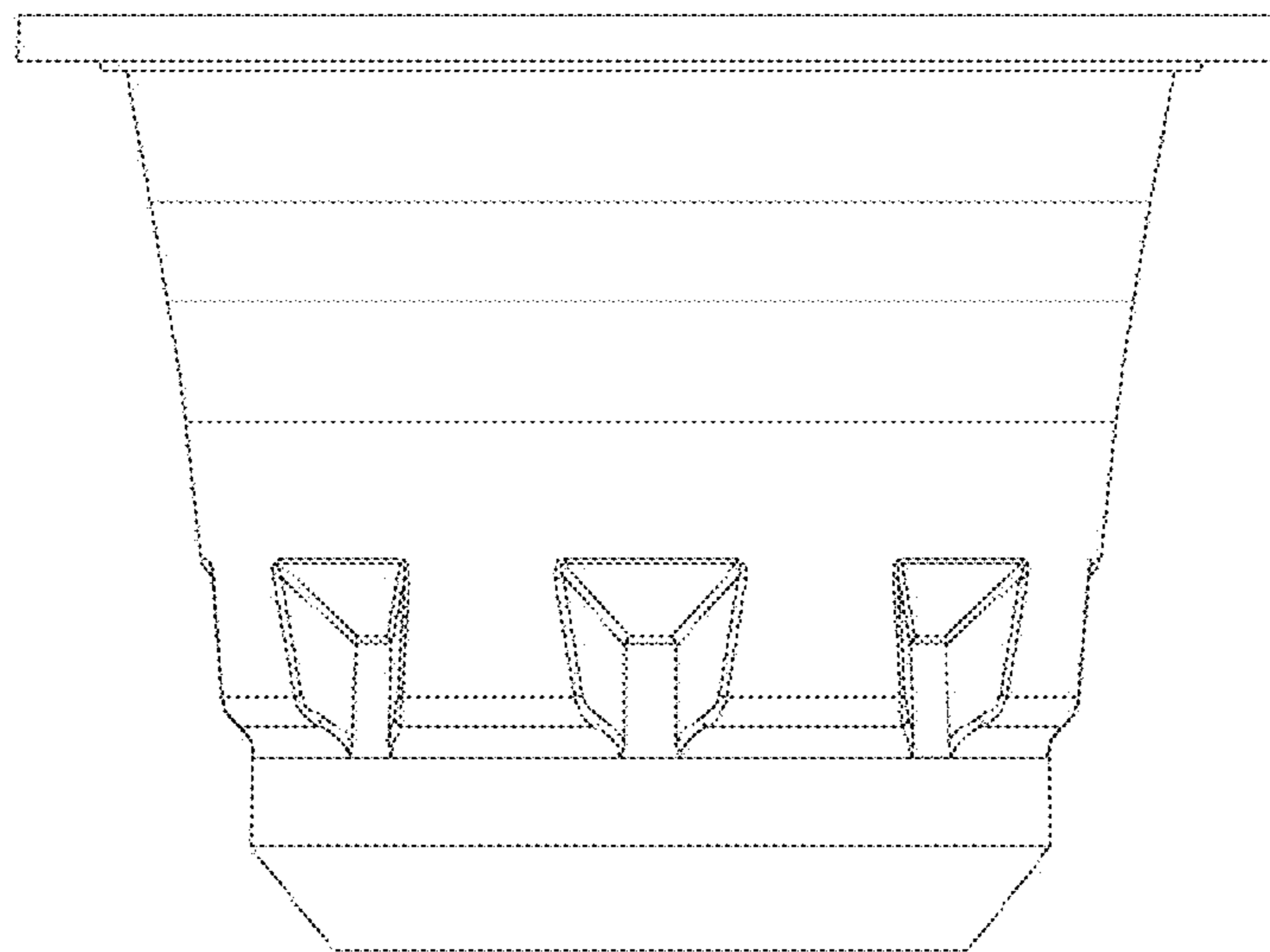


FIG. 4

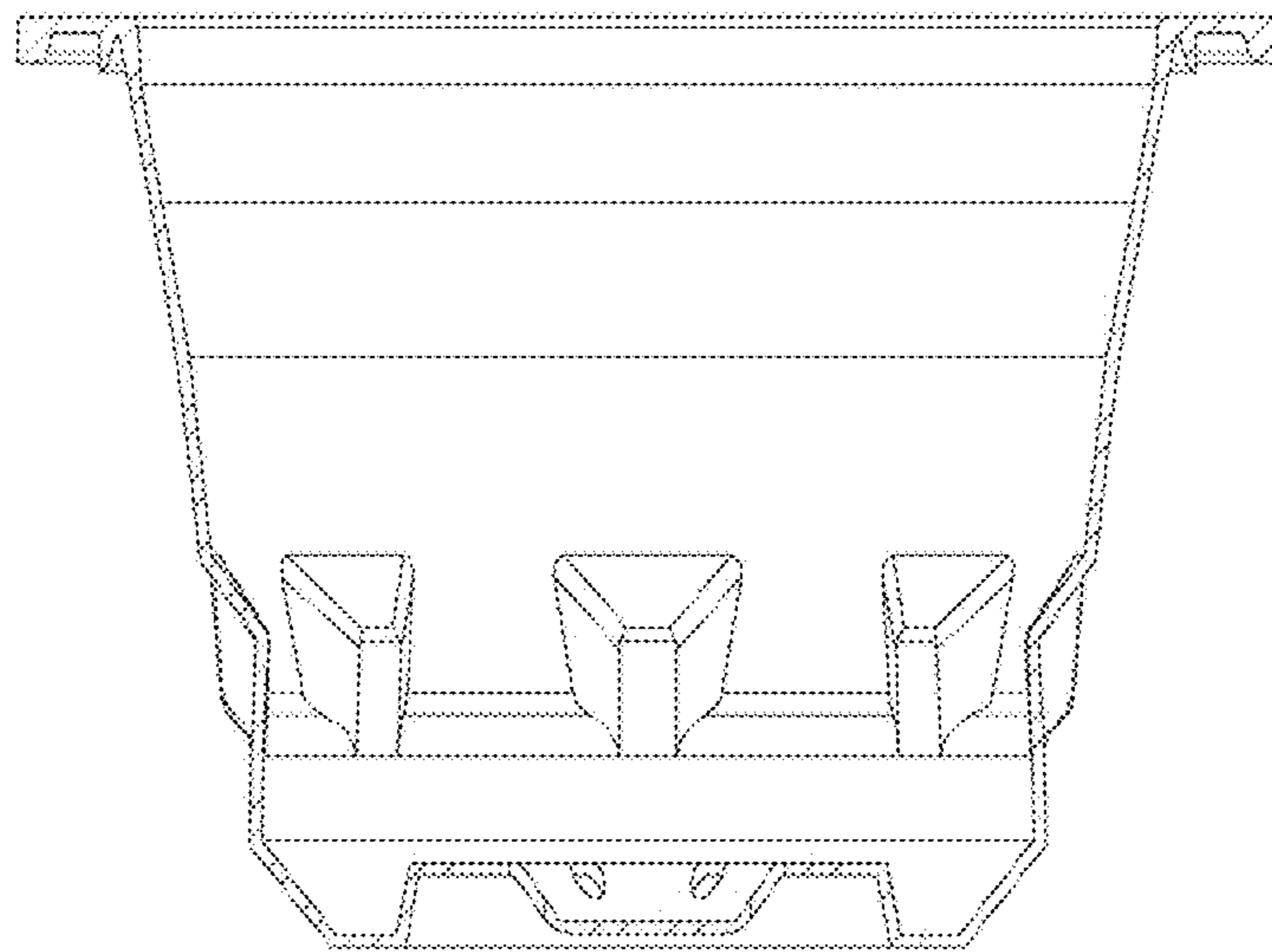


FIG. 5