



US00D844378S

(12) **United States Design Patent** (10) **Patent No.:** **US D844,378 S**
Seum et al. (45) **Date of Patent:** **** Apr. 2, 2019**

(54) **DISPENSER**
(71) Applicant: **PepsiCo, Inc.**, Purchase, NY (US)
(72) Inventors: **Michael T. Seum**, Chicago, IL (US);
Pasquale Cirulli, Zelo Surrigone (IT);
Mauro Scamporlino, Siracusa (IT);
Martin Ivar Franzen, Milan (IT);
Sofia Majan Capilla, Burgos (ES)
(73) Assignee: **PepsiCo, Inc.**, Purchase, NY (US)

D235,816 S 7/1975 Hall
D256,124 S 7/1980 Adamson et al.
D259,790 S 7/1981 Hentschel
D310,612 S 9/1990 Desrosiers
D323,875 S 2/1992 Kang et al.
D330,983 S 11/1992 De Moss
D356,342 S 3/1995 Reese et al.
D359,649 S 6/1995 Salkeld et al.
D359,874 S * 7/1995 Smith D7/308
D360,801 S 8/1995 Shub
D367,797 S 3/1996 Hauser, II et al.
D385,457 S 10/1997 Sellers

(Continued)

(**) Term: **15 Years**

FOREIGN PATENT DOCUMENTS

(21) Appl. No.: **29/603,054**

EM 001914862-0002 8/2013
JP 1197475 12/2003

(22) Filed: **May 5, 2017**

(Continued)

Related U.S. Application Data

(63) Continuation of application No. 29/539,850, filed on Sep. 17, 2015, now Pat. No. Des. 787,874.

Primary Examiner — Marianne N Pandozzi
(74) *Attorney, Agent, or Firm* — Sterne, Kessler, Goldstein & Fox P.L.L.C.

(51) **LOC (11) Cl.** **07-01**

(57) **CLAIM**

(52) **U.S. Cl.**
USPC **D7/397**; D7/311; D7/308; D7/307

The ornamental design for a dispenser, as shown and described.

(58) **Field of Classification Search**
USPC D7/305-311, 313, 397; D15/82;
222/129.1, 146.6; 99/295; D20/1, 4;
D14/307

DESCRIPTION

CPC A47J 31/44; A47J 31/4403; A47J 31/46;
B67D 1/36; B67D 2210/0065; B67D
1/0864; A23C 9/122

FIG. 1 is a top front perspective view of a dispenser showing the claimed design;
FIG. 2 is a front view thereof;
FIG. 3 is a rear view thereof;
FIG. 4 is a right side view thereof;
FIG. 5 is a left side view thereof;
FIG. 6 is a top view thereof; and,
FIG. 7 is a bottom view thereof.

See application file for complete search history.

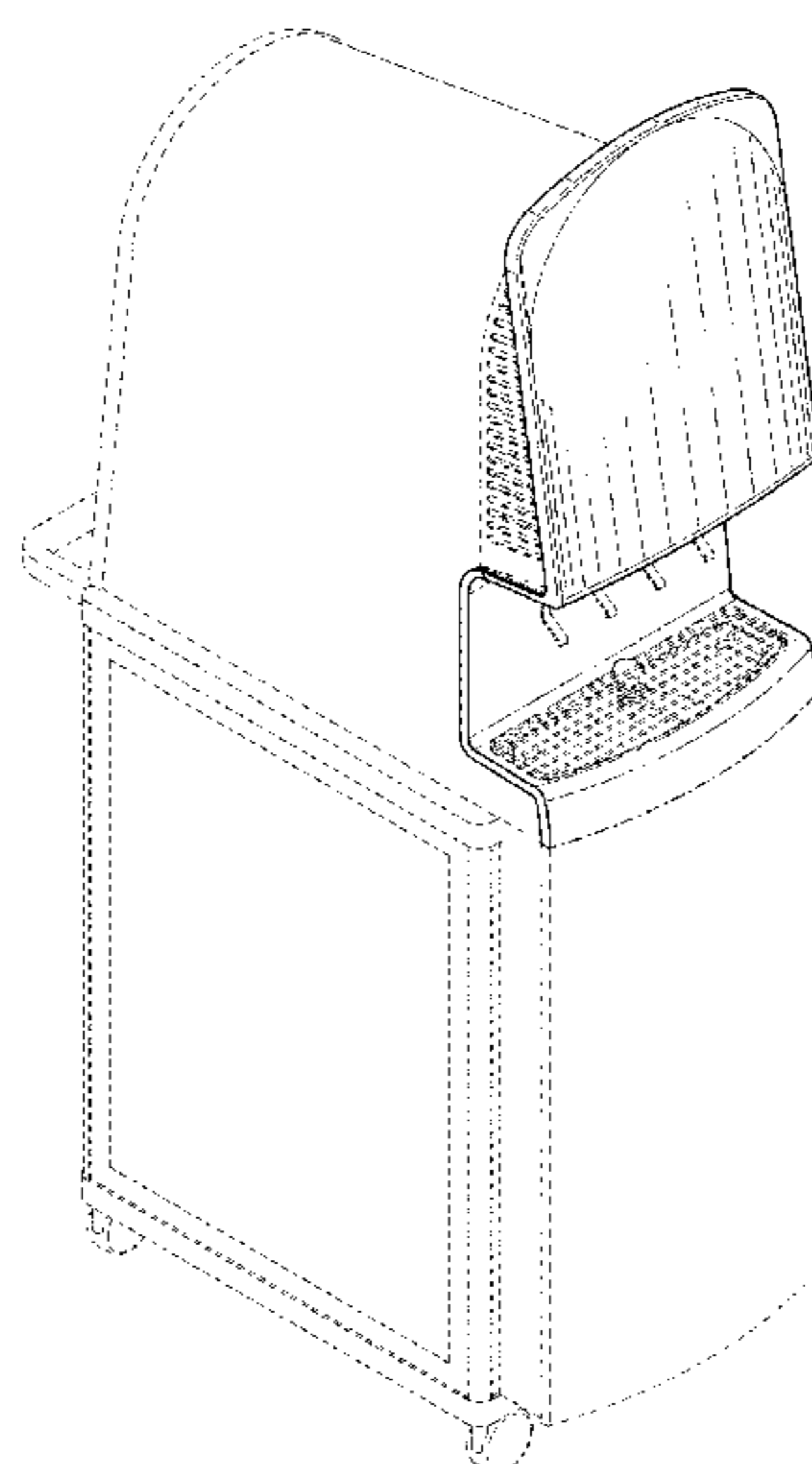
The dashed broken lines in the figures show portions of the dispenser that form no part of the claimed design.
The dot-dash broken lines in the figures show boundaries that form no part of the claimed design.

(56) **References Cited**

U.S. PATENT DOCUMENTS

D121,005 S 6/1940 Wright
D151,386 S 10/1948 Nissen
D151,952 S 12/1948 Babcock
D202,688 S 11/1965 Cornelius et al.
D229,221 S 11/1973 Adamson

1 Claim, 6 Drawing Sheets



(56)

References Cited

U.S. PATENT DOCUMENTS

D387,809 S 12/1997 Reese et al.
 D398,183 S 9/1998 De Felip
 5,823,392 A * 10/1998 Madico A23C 9/122
 222/129
 D404,242 S 1/1999 Schroeder
 D408,207 S 4/1999 Bourke
 D418,001 S 12/1999 van der Veen
 D421,629 S 3/2000 Sakata
 D424,361 S 5/2000 Kuboyama
 D431,145 S 9/2000 Woebcke et al.
 D440,255 S 4/2001 Dickson
 D444,986 S 7/2001 Smith et al.
 D456,663 S 5/2002 Chew
 6,439,428 B1 * 8/2002 Schroeder B67D 1/00
 222/64
 D473,745 S 4/2003 Mulle et al.
 D474,366 S 5/2003 Hodges et al.
 D477,175 S 7/2003 Smith
 D482,227 S 11/2003 Walton
 D486,346 S 2/2004 Jonsson
 D498,637 S 11/2004 Heilstedt et al.
 D499,145 S 11/2004 Yao
 D500,625 S 1/2005 Hellenberg et al.
 D505,822 S 6/2005 De Gooijer
 D514,864 S 2/2006 Birdsell et al.
 D514,867 S 2/2006 Steiner
 D526,523 S 8/2006 Steiner et al.
 D527,567 S 9/2006 Nakato et al.
 D531,855 S 11/2006 Steiner et al.
 D533,007 S 12/2006 Felty
 D544,919 S 6/2007 Roekens et al.
 D544,920 S 6/2007 Roekens et al.
 D554,930 S 11/2007 Lavy
 D555,414 S 11/2007 Lin
 D557,058 S * 12/2007 Lebot D7/307
 D557,547 S 12/2007 Knoell et al.
 D564,279 S 3/2008 Hodges
 D570,149 S 6/2008 Truong
 D570,636 S 6/2008 Kulujian et al.
 D572,965 S 7/2008 Steiner

D582,194 S 12/2008 Wang
 D583,608 S 12/2008 Kato
 D597,605 S 8/2009 Davis
 D600,060 S 9/2009 Fletcher et al.
 D600,490 S 9/2009 Pino et al.
 D600,491 S 9/2009 Hammad et al.
 D601,380 S 10/2009 Jones et al.
 D608,129 S 1/2010 Spear et al.
 D608,130 S 1/2010 Moon et al.
 D617,132 S 6/2010 Wang
 D618,031 S 6/2010 Mansour
 D623,885 S 9/2010 Wang
 D624,778 S 10/2010 Meldrum et al.
 D627,187 S 11/2010 Voron et al.
 D630,471 S 1/2011 Wang
 D635,812 S 4/2011 Wang
 D638,476 S 5/2011 Hoffman et al.
 D638,513 S 5/2011 Choi
 D640,891 S 7/2011 Smith
 D644,712 S * 9/2011 Seo D23/207
 D646,105 S * 10/2011 Deo D7/306
 D646,269 S 10/2011 Crick, Jr. et al.
 D691,205 S 10/2013 d'Amore et al.
 D693,404 S 11/2013 d'Amore et al.
 D693,407 S 11/2013 d'Amore et al.
 D698,391 S 1/2014 d'Amore et al.
 D701,412 S 3/2014 Broen et al.
 D704,492 S * 5/2014 Broen D7/306
 8,881,948 B1 * 11/2014 Lassota B67D 1/0044
 222/129.1
 D731,840 S * 6/2015 Cha D7/306
 D732,331 S * 6/2015 Tomasson D7/306
 D734,635 S * 7/2015 Behar D7/306
 D776,970 S 1/2017 Broen et al.
 D799,879 S * 10/2017 Shmueli D7/306
 D813,346 S * 3/2018 Lee D23/207

FOREIGN PATENT DOCUMENTS

KR 30-0722649 12/2013
 NO 083336 1/2012

* cited by examiner

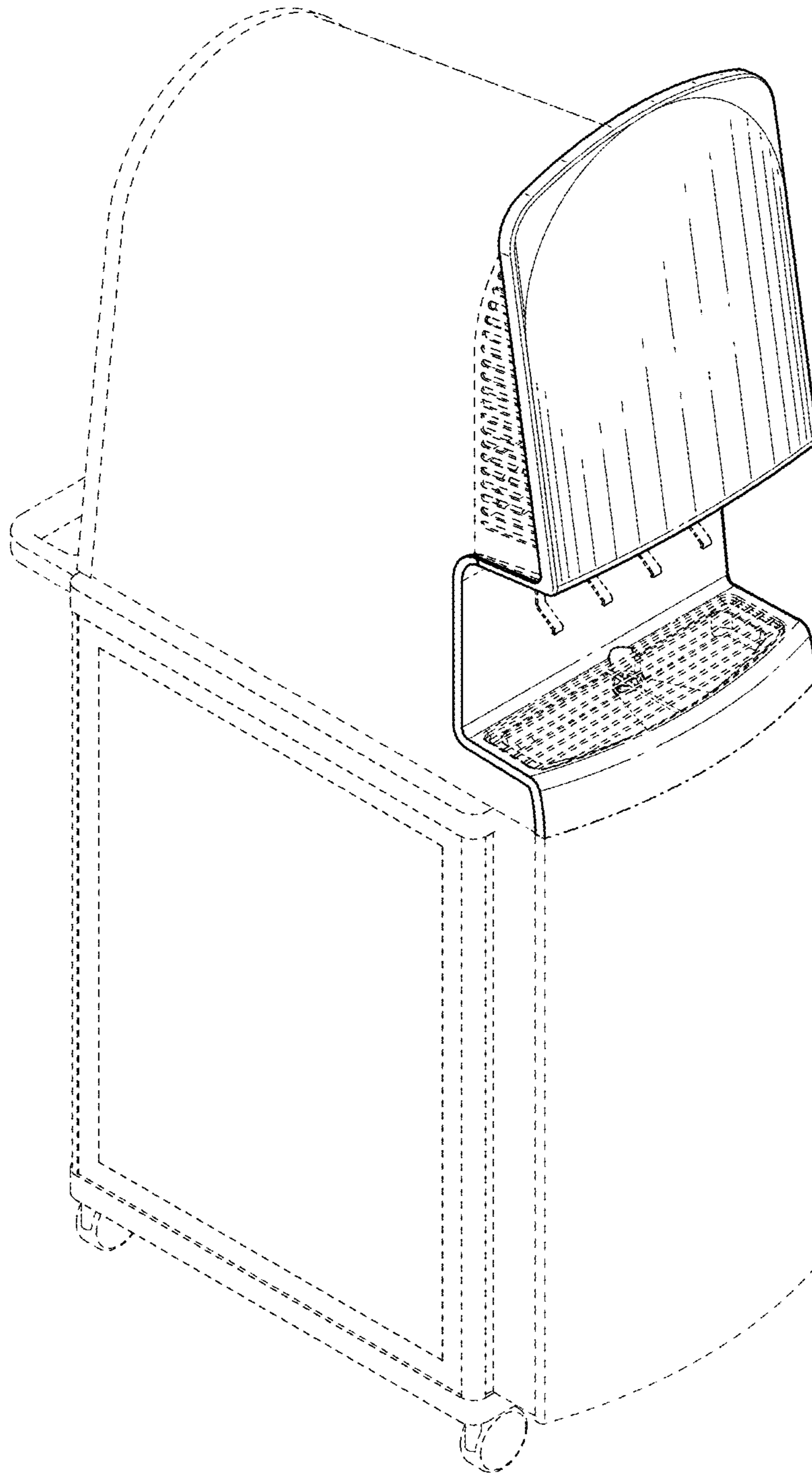


FIG. 1

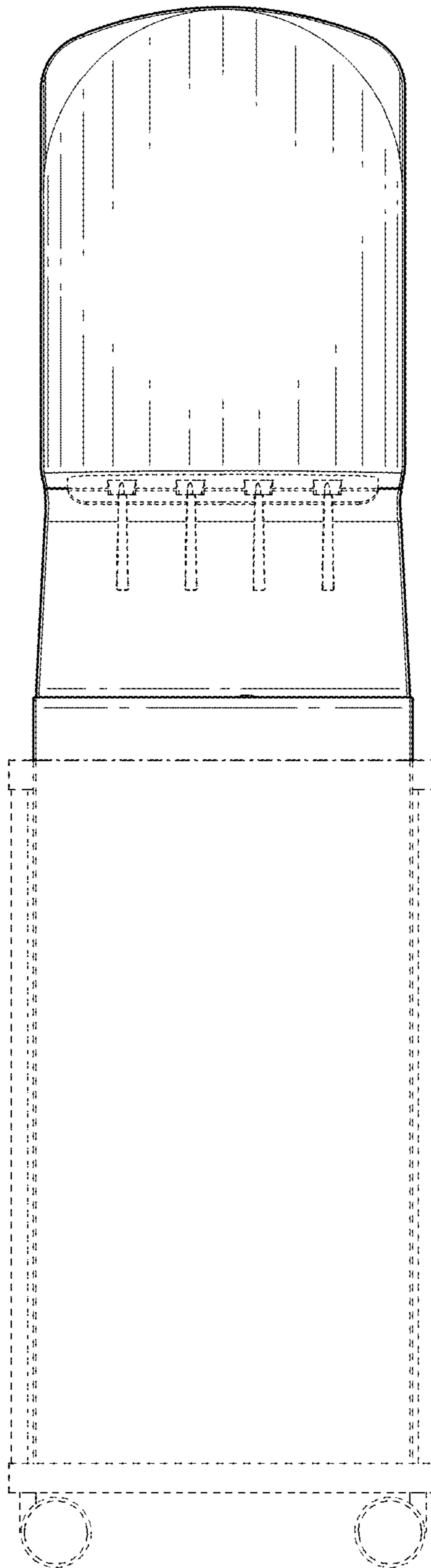


FIG. 2

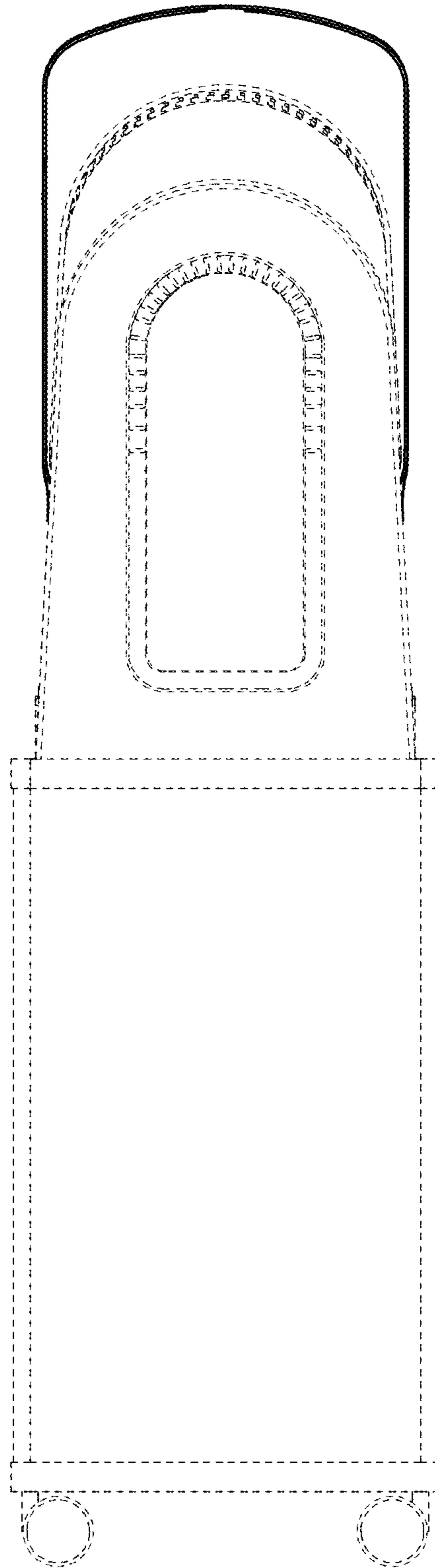


FIG. 3

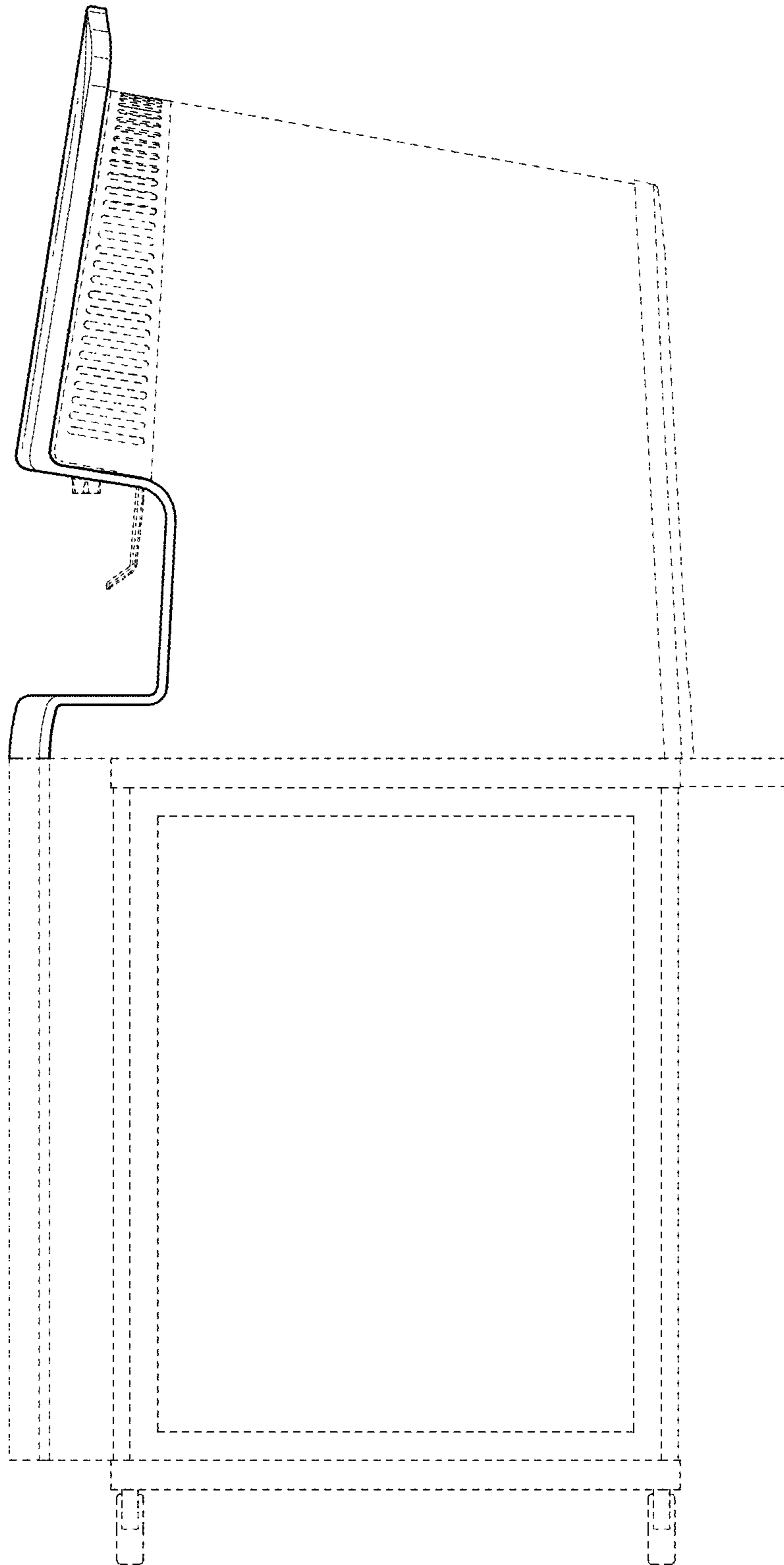


FIG. 4

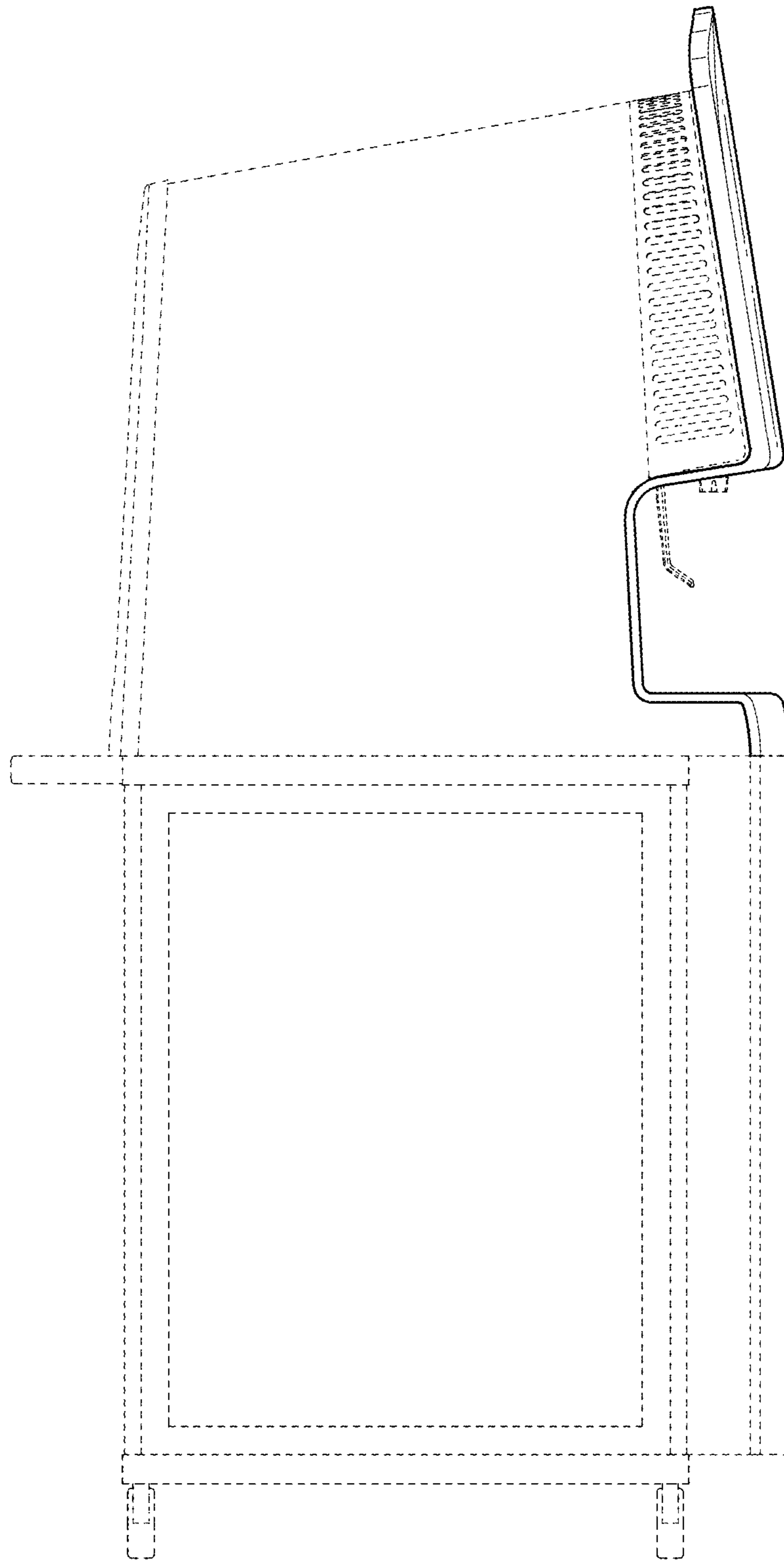


FIG. 5



FIG. 7



FIG. 6