



US00D844377S

(12) **United States Design Patent** (10) **Patent No.:** **US D844,377 S**
Kacalek et al. (45) **Date of Patent:** **** Apr. 2, 2019**

(54) **HANDLE FOR A GRILL**

OTHER PUBLICATIONS

(71) Applicants: **Brett Kacalek**, Canby, OR (US);
Rodney Kacalek, Hubbard, OR (US)

www.teemgreen.com, "The Johny Lift—Universal Replacement Handle for the Green Mountain BBQ Grill," advertising pamphlet, published prior to Sep. 14, 2017, 2 pages.

(72) Inventors: **Brett Kacalek**, Canby, OR (US);
Rodney Kacalek, Hubbard, OR (US)

* cited by examiner

(**) Term: **15 Years**

Primary Examiner — Brett Miller

(21) Appl. No.: **29/617,599**

(74) *Attorney, Agent, or Firm* — Klarquist Sparkman, LLP

(22) Filed: **Sep. 14, 2017**

(51) **LOC (11) Cl.** **07-02**

(57) **CLAIM**

(52) **U.S. Cl.**

We claim the ornamental design for a handle for a grill, as shown and described.

USPC **D7/395**; D8/306; D7/402

(58) **Field of Classification Search**

DESCRIPTION

USPC D7/332–337, 339–340, 346–349,
D7/351–353, 393–395, 402–409;
D8/315, 316, 319, 320, 306–308, 401
CPC .. F24B 1/00; F24B 1/02; F24C 15/024; F24C
15/028; A47J 37/07–37/0781; A47J
37/0786

FIG. 1 is a perspective view of a handle for a grill shown mounted on the lid of a grill, according to one embodiment. FIG. 2 is a perspective view of the handle of FIG. 1. FIG. 3 is a front elevation view of the handle of FIG. 1. FIG. 4 is a rear elevation view of the handle of FIG. 1. FIG. 5 is a side elevation view of the handle of FIG. 1. FIG. 6 is a side elevation view of the opposite side of the handle shown in FIG. 5. FIG. 7 is a top plan view of the handle of FIG. 1; and, FIG. 8 is a bottom plan view of the handle of FIG. 1. The broken lines immediately adjacent the shaded areas represent the bounds of the claimed design while all other broken lines are directed to environment and are for illustrative purposes only the broken lines form no part of the claimed design.

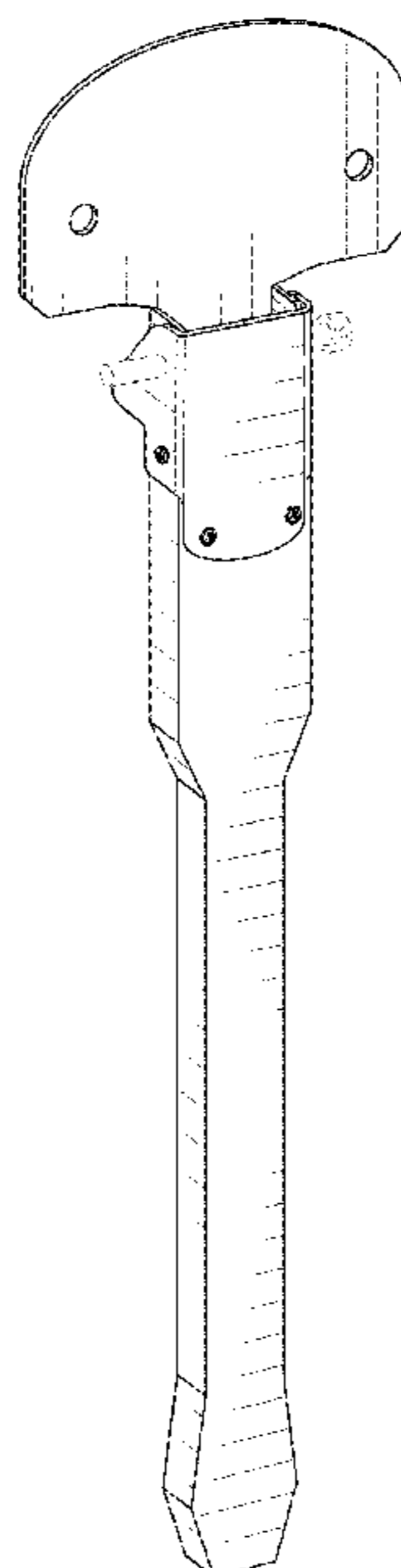
See application file for complete search history.

(56) **References Cited**

U.S. PATENT DOCUMENTS

D33,887 S *	1/1901	Carter	D8/319
D195,826 S *	8/1963	Melcher	D8/320
D202,512 S *	10/1965	Imhoff	D7/395
D203,128 S *	12/1965	Hvale	D7/395
D227,432 S *	6/1973	Di Lorenzo	D7/352
D245,310 S *	8/1977	Fenice	D8/401
D271,268 S *	11/1983	Salzmann	D7/346
D443,195 S *	6/2001	Craft	D8/306
D627,592 S *	11/2010	Wen	D7/339
D734,983 S *	7/2015	Doyle	D7/395
D749,902 S *	2/2016	Lee	D7/402

1 Claim, 6 Drawing Sheets



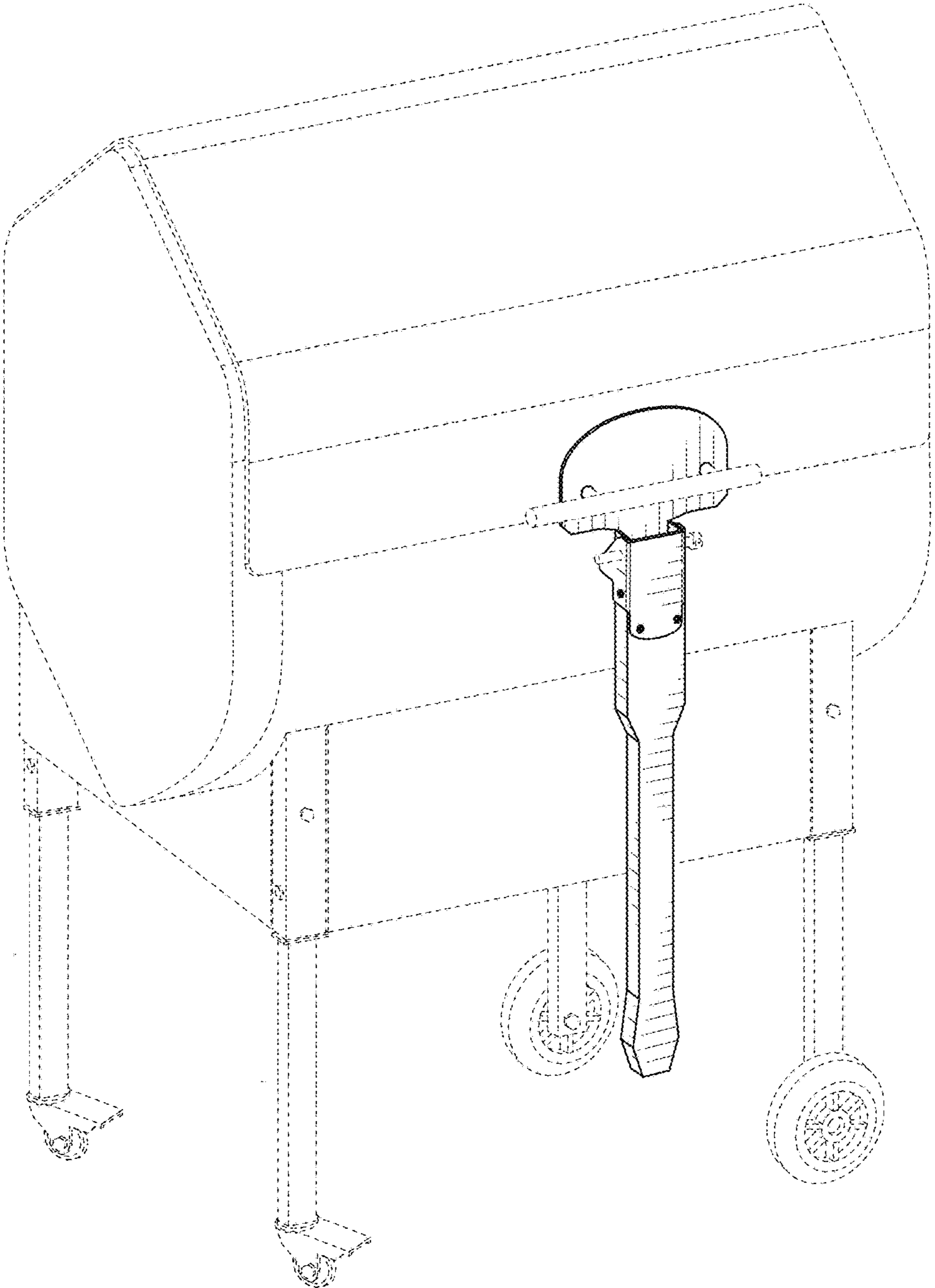


FIG. 1

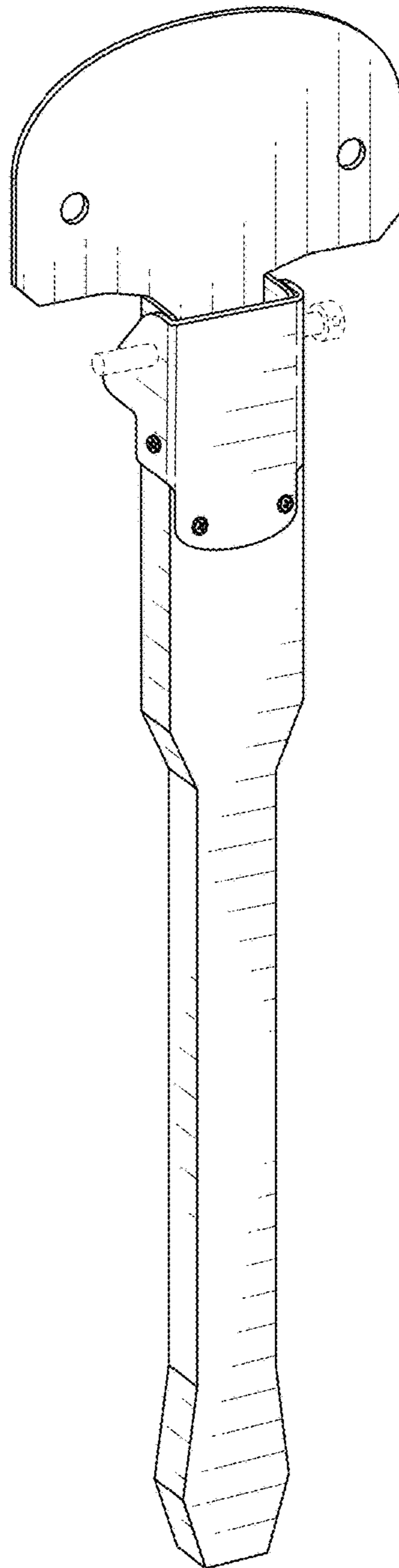


FIG. 2

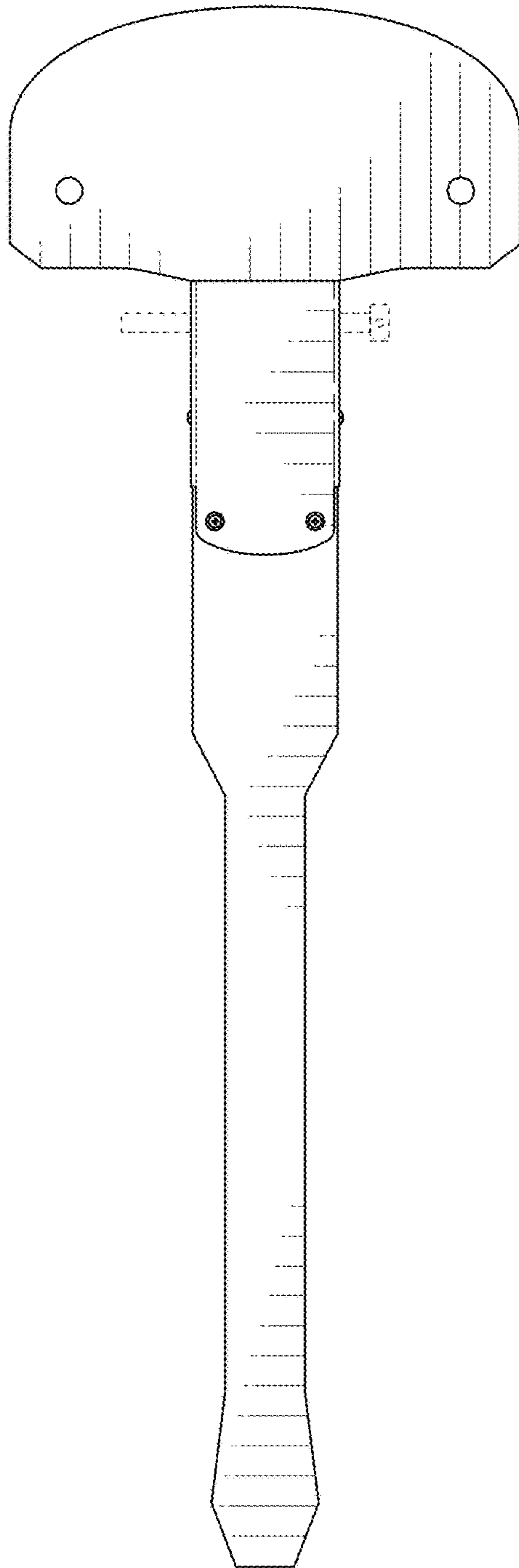


FIG. 3

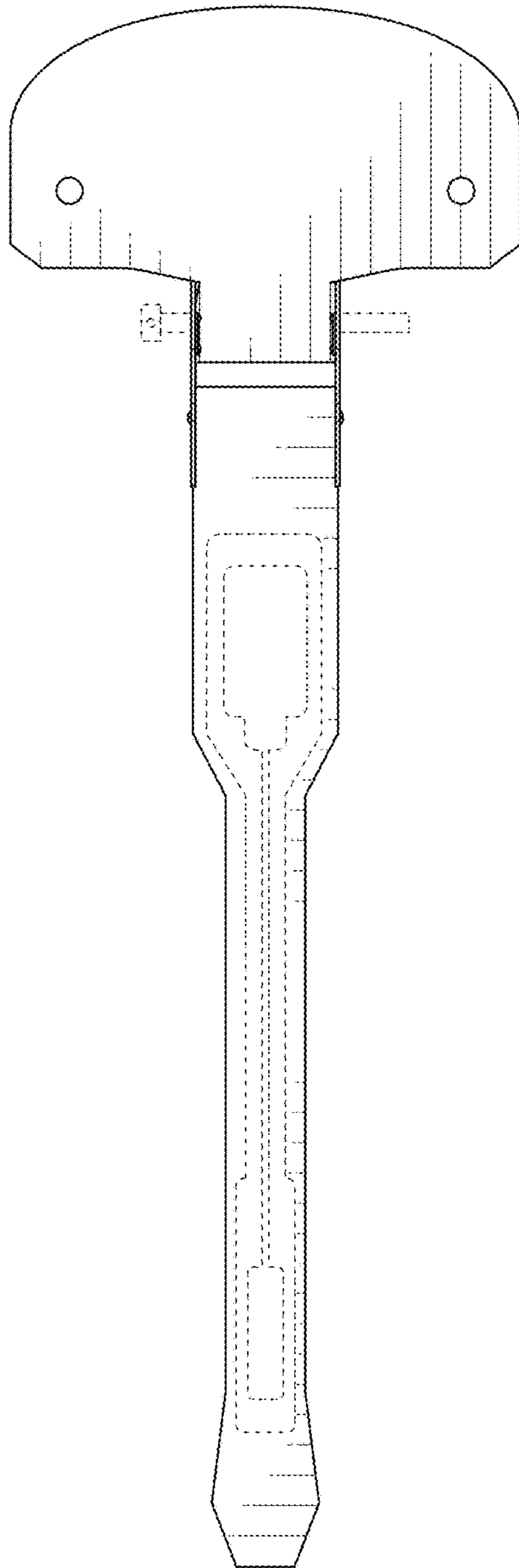


FIG. 4

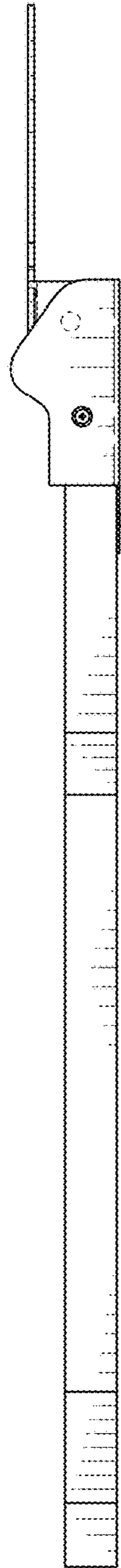


FIG. 5

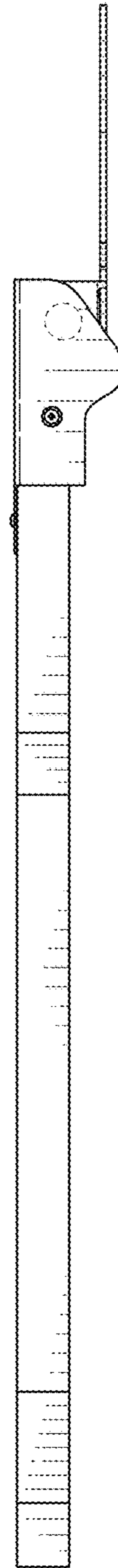


FIG. 6

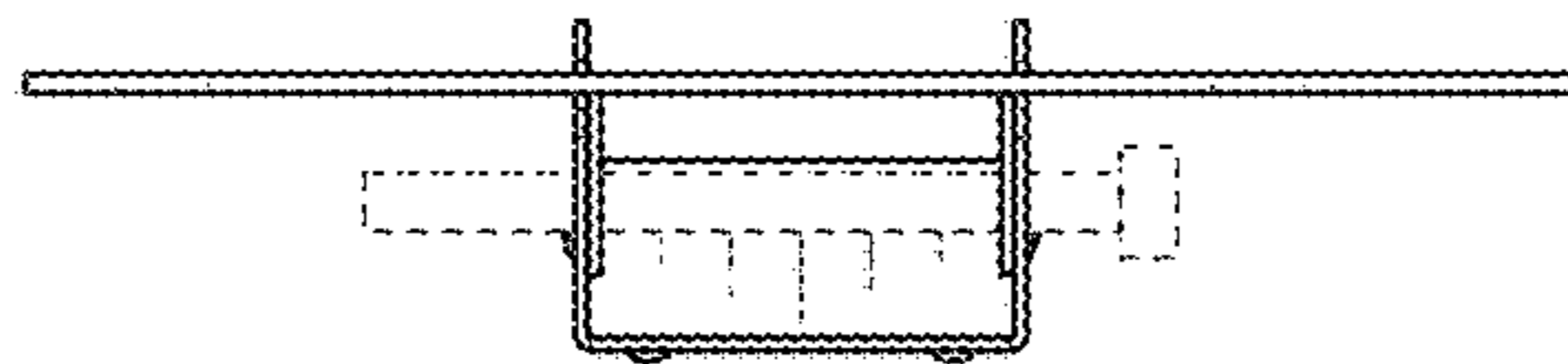


FIG. 7

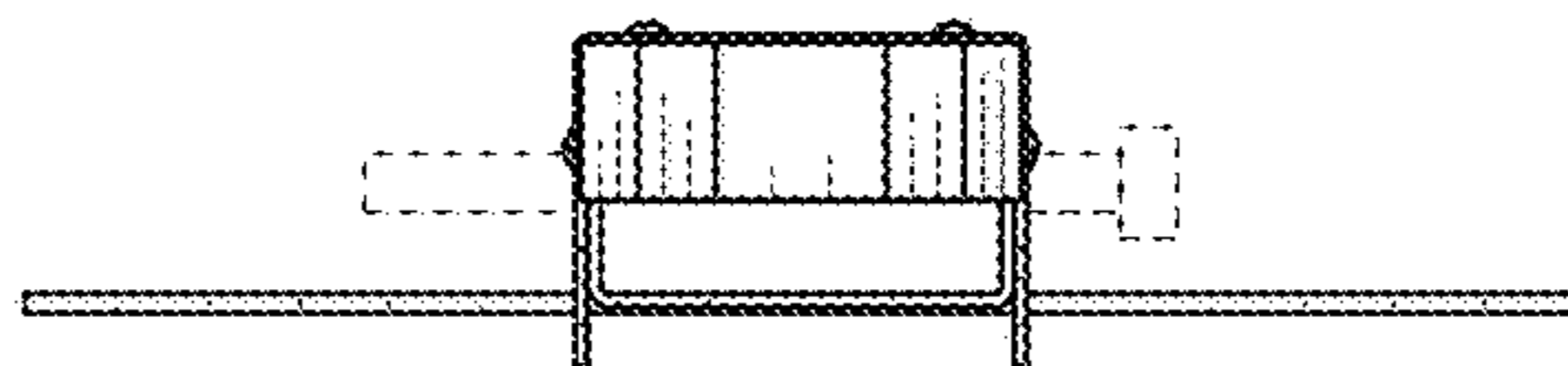


FIG. 8