



US00D844376S

(12) **United States Design Patent** (10) **Patent No.:** **US D844,376 S**
Rosette et al. (45) **Date of Patent:** **** Apr. 2, 2019**

(54) **BOTTLE LID**

- (71) Applicant: **Disney Enterprises, Inc.**, Burbank, CA (US)
- (72) Inventors: **Kaitlyn M. Rosette**, Los Angeles, CA (US); **Daria Vinogradova**, Lake Balboa, CA (US)
- (73) Assignee: **Disney Enterprises, Inc.**, Burbank, CA (US)
- (**) Term: **15 Years**

(21) Appl. No.: **29/610,527**

(22) Filed: **Jul. 13, 2017**

(51) **LOC (11) Cl.** **07-99**

(52) **U.S. Cl.**
USPC **D7/392; D7/392.1**

(58) **Field of Classification Search**
USPC D9/452, 453, 454, 435, 447, 449
CPC ... A47G 19/2205; A47G 19/2222; A45F 3/16;
A45F 3/20; B67D 7/06; B67D 7/0004;
B65D 25/14; B65D 47/065; B65D
47/066; B65D 2543/00101; B65D
2543/00027
See application file for complete search history.

(56) **References Cited**

U.S. PATENT DOCUMENTS

D111,253 S	9/1938	Grasty	
D217,435 S	5/1970	Wire	
D267,076 S	11/1982	Hurtig	
D320,155 S	9/1991	Plochman, III et al.	
D451,812 S	12/2001	Colonna de Giovellina	
D491,069 S	6/2004	Heliste et al.	
D537,726 S	3/2007	Elgebrant	
D537,727 S	3/2007	Hutton	
D539,651 S	4/2007	Snyder	
D548,607 S	8/2007	Langbein et al.	
D558,583 S	1/2008	Langbein et al.	
D577,599 S	9/2008	Moretti	
D602,785 S	10/2009	Rothberg et al.	
D620,355 S *	7/2010	Nardini D9/443

(Continued)

OTHER PUBLICATIONS

<http://www.paddypallin.com.au/nalgene-wide-mouth-hdpe-square-bottles.html>, Nalgene Wide Mouth HDPE Square Bottles Apr. 13, 2015.

(Continued)

Primary Examiner — Karen S Acker

Assistant Examiner — Steven B Reinholdt, Jr.

(74) *Attorney, Agent, or Firm* — Patterson + Sheridan, LLP

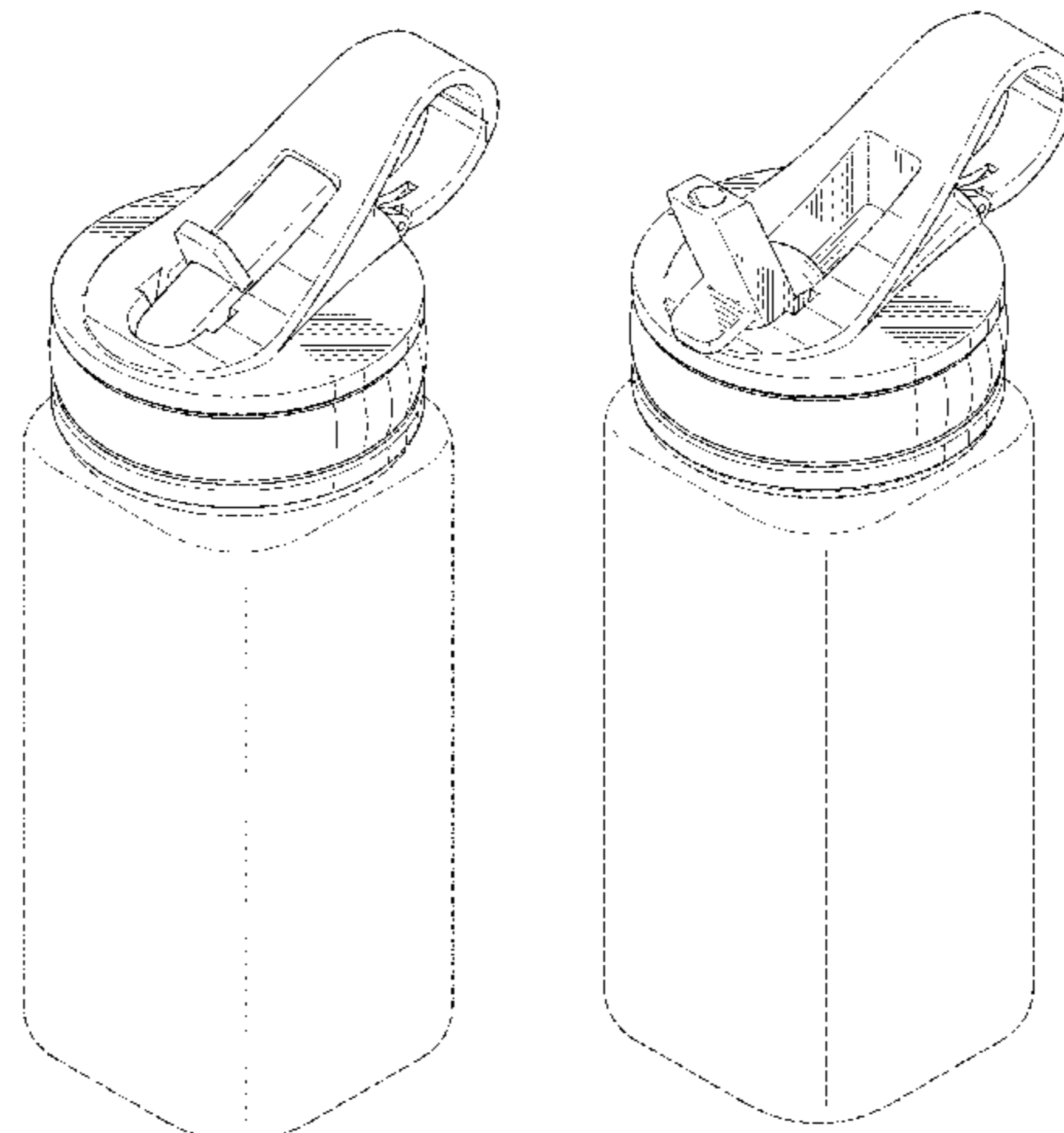
(57) **CLAIM**

The ornamental design for a bottle lid, as shown and described.

DESCRIPTION

FIG. 1 is a top front perspective view of a bottle lid showing our new design;
 FIG. 2 is a bottom rear perspective view thereof;
 FIG. 3 is a front elevational view thereof;
 FIG. 4 is a left side elevational view thereof;
 FIG. 5 is a rear elevational view thereof;
 FIG. 6 is a right side elevational view thereof;
 FIG. 7 is a top plan view thereof;
 FIG. 8 is a bottom plan view thereof;
 FIG. 9 is a top front perspective view of the bottle lid in a second position;
 FIG. 10 is a front elevational view of the bottle lid in the second position;
 FIG. 11 is a left side elevational view of the bottle lid in the second position;
 FIG. 12 is a right side elevational view of the bottle lid in the second position; and,
 FIG. 13 is a top plan view of the bottle lid in the second position.
 The broken lines in the drawings depict environmental subject matter that forms no part of the claimed design.

1 Claim, 13 Drawing Sheets



(56)

References Cited

OTHER PUBLICATIONS

U.S. PATENT DOCUMENTS

D625,955 S 10/2010 Yang et al.
 D638,658 S * 5/2011 Staton D7/392
 D649,879 S 12/2011 Gullickson et al.
 D652,256 S 1/2012 Eyal
 D656,405 S 3/2012 Byron
 8,297,462 B1 10/2012 Joyce
 D688,093 S * 8/2013 Roth D7/392.1
 D696,958 S 1/2014 Rex
 D704,986 S 5/2014 Manies
 D722,804 S 2/2015 Kay et al.
 D723,333 S 3/2015 Lin
 D724,384 S 3/2015 Donovan et al.
 D741,720 S 10/2015 Anandani
 D756,234 S 5/2016 Orset
 D760,088 S 6/2016 Kaye et al.
 D766,093 S 9/2016 Otani
 D767,390 S * 9/2016 Miksovsky D7/392.1
 D767,405 S 9/2016 Orset
 D780,588 S 3/2017 Miller et al.
 D781,654 S 3/2017 Marquard et al.
 D788,593 S 6/2017 Dalton
 D791,549 S 7/2017 Goodwin et al.
 D795,009 S 8/2017 Alprin et al.
 D798,160 S 9/2017 Miller et al.
 D799,320 S 10/2017 Goodwin et al.
 D805,350 S 12/2017 Cetera et al.
 D810,500 S 2/2018 Maple
 D813,668 S * 3/2018 Miller D9/446
 D814,308 S 4/2018 Aebi
 D815,908 S * 4/2018 Kauss D7/511
 D816,397 S * 5/2018 Karl, IV D7/392.1
 D830,772 S * 10/2018 Rosette D7/510
 2009/0266736 A1 10/2009 Sprishen et al.
 2018/0282030 A1 * 10/2018 Anderl B65D 47/00

European Register of Community Designs Certificate of Registration No. 004661338-0001, Registration Date Jan. 10, 2018.
 European Register of Community Designs Certificate of Registration No. 004661338-0002, Registration Date Jan. 10, 2018.
 European Register of Community Designs Certificate of Registration No. 004661338-0003, Registration Date Jan. 10, 2018.
 European Register of Community Designs Certificate of Registration No. 004661338-0004, Registration Date Jan. 10, 2018.
 European Register of Community Designs Certificate of Registration No. 004661338-0005, Registration Date Jan. 10, 2018.
 Design U.S. Appl. No. 29/610,537, Entitled "Bottle", filed Jul. 13, 2017.
 Design U.S. Appl. No. 29/610,545, Entitled "Bottle", filed Jul. 13, 2017.
 Japanese Design Patent Application No. 2018-000414, Entitled "Bottle", Filed Feb. 20, 2018.
 Japanese Design Patent Application No. 2018-000381, Entitled "Bottle", Filed Feb. 20, 2018.
 Canada Design Patent Application No. 179015, Entitled "Bottle", Filed Jan. 4, 2018.
 Chinese Design Patent Application No. 201830012569.9, Entitled "Bottle", Filed Jan. 11, 2018.
 Chinese Design Patent Application No. 201830304827.0, Entitled "Bottle Container", Filed Jan. 11, 2018.
 Chinese Design Patent Application No. 201830305213.4, Entitled "Bottle", Filed Jan. 11, 2018.
 Japanese Design Patent Application No. 2018-000387, Entitled "Bottle", Filed Jan. 12, 2018.

* cited by examiner

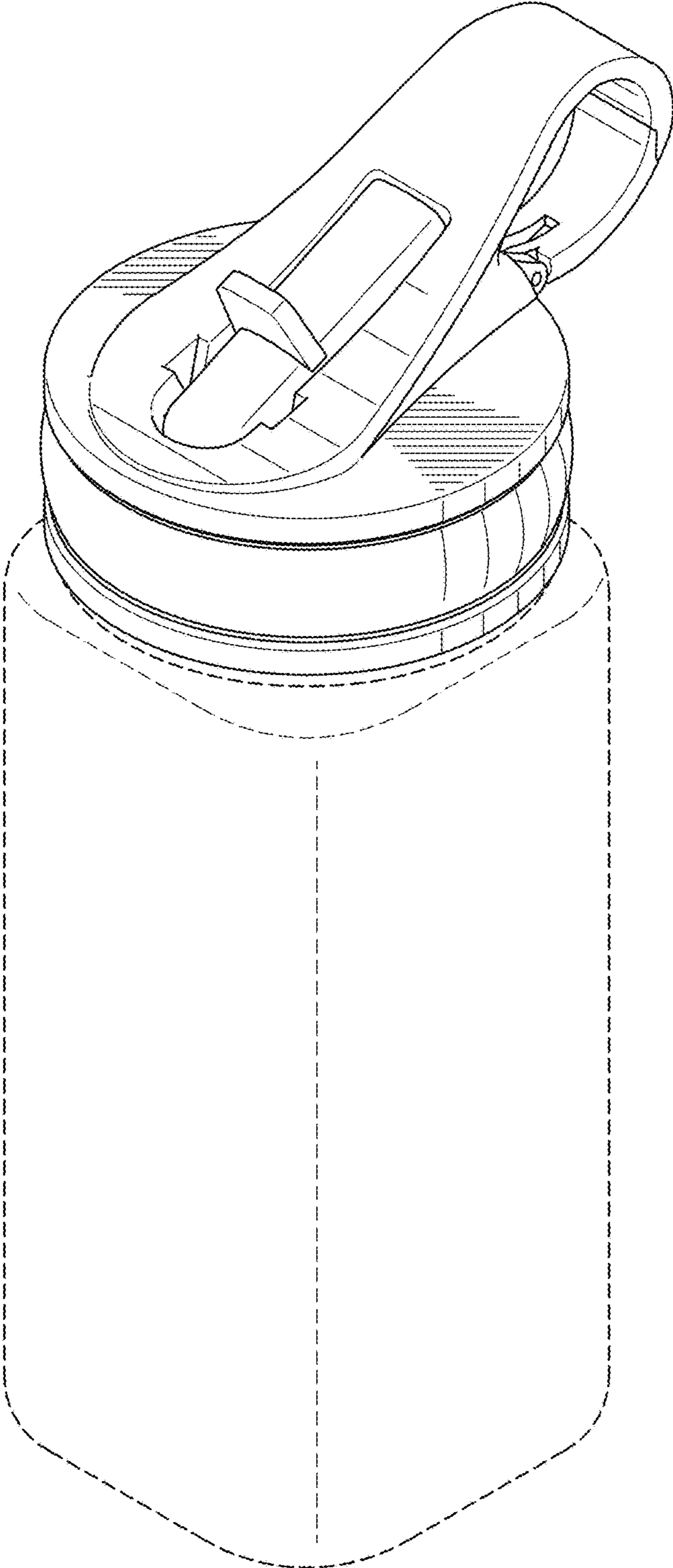


Fig. 1

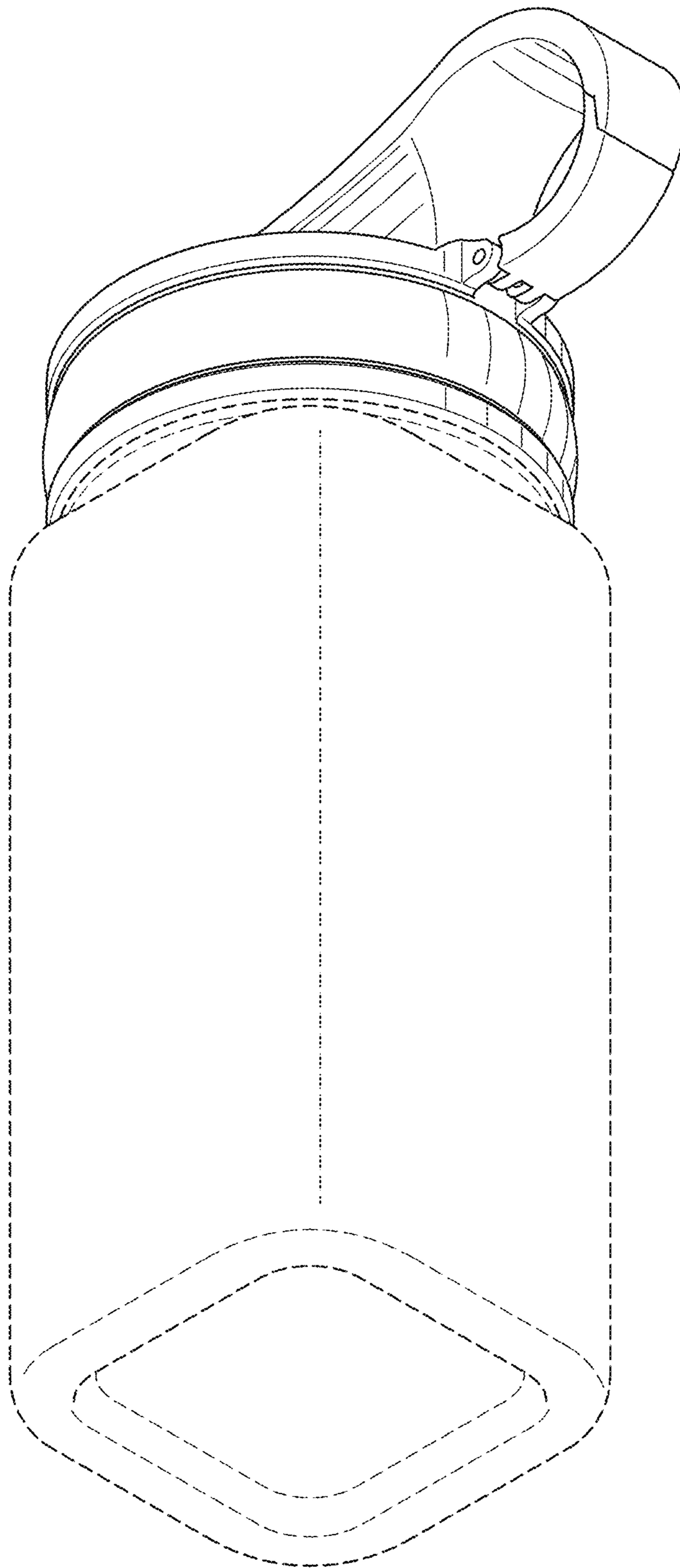


Fig. 2

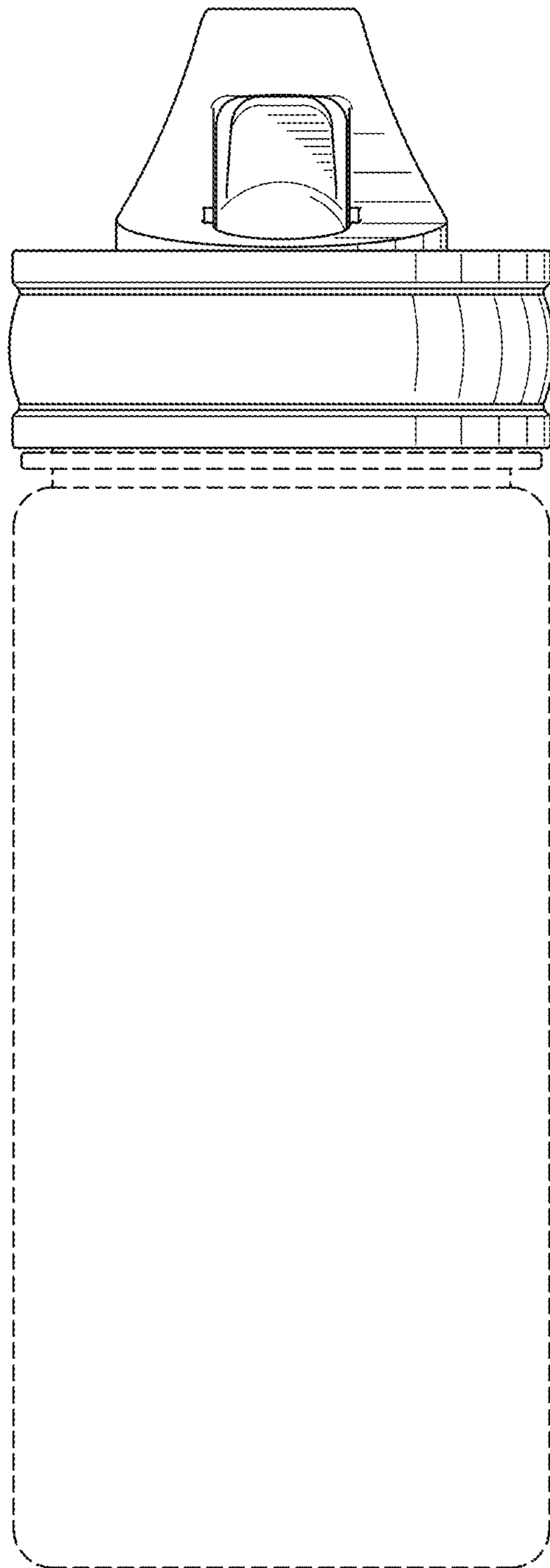


Fig. 3

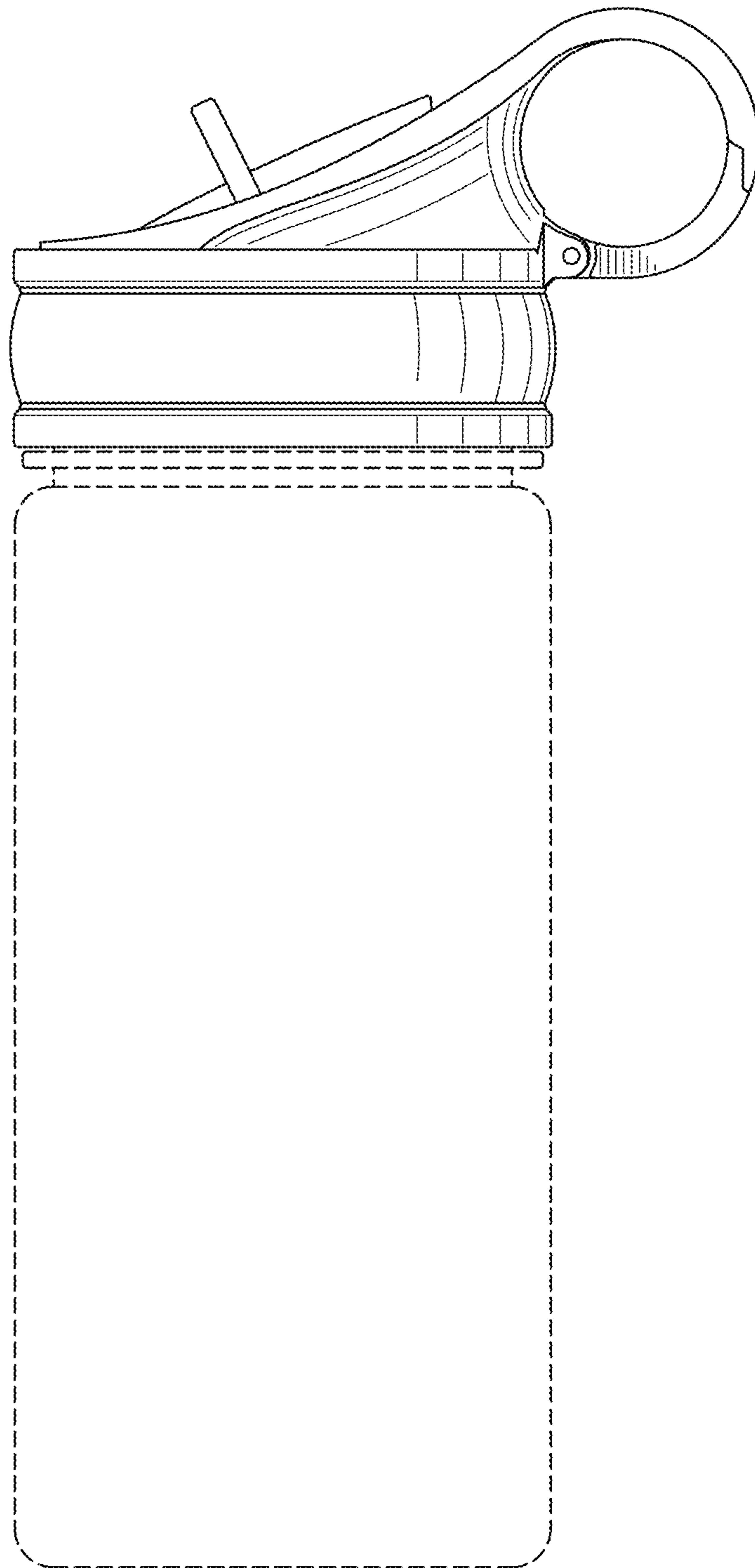


Fig. 4

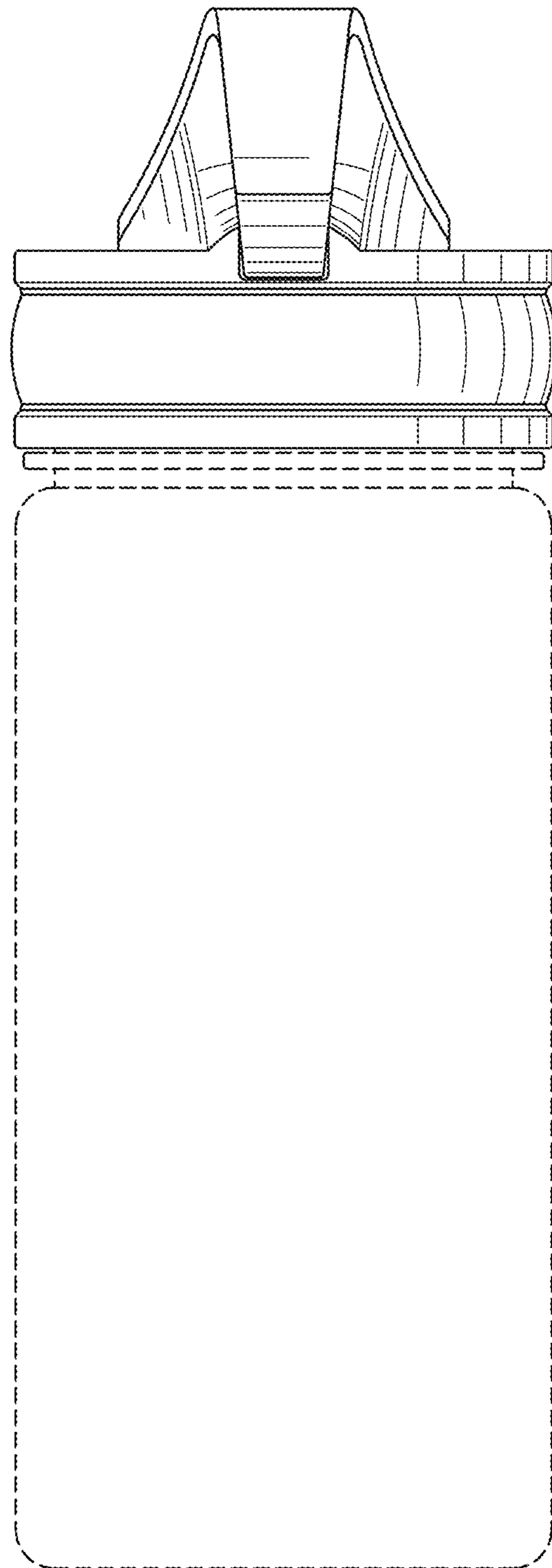


Fig. 5

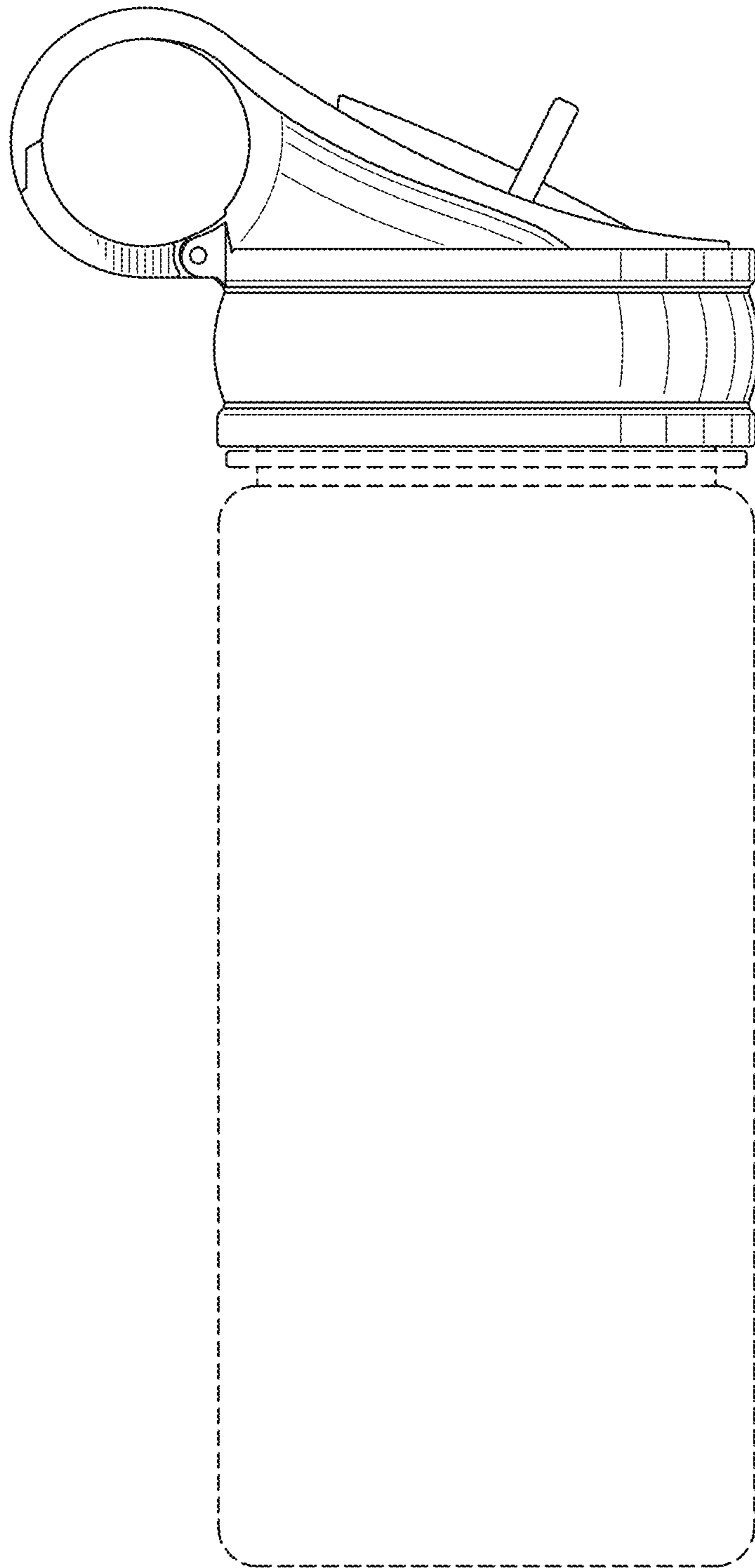


Fig. 6

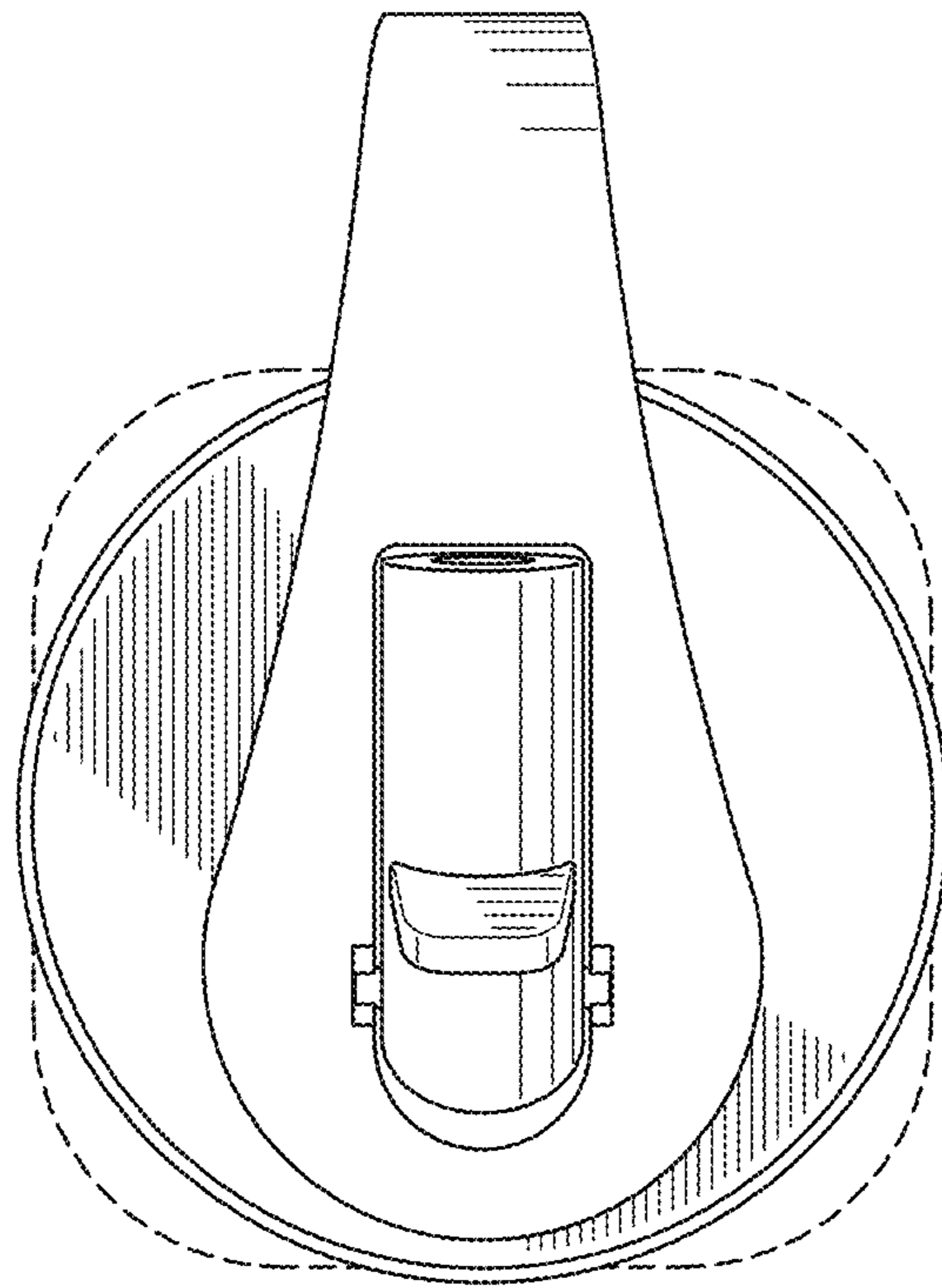


Fig. 7

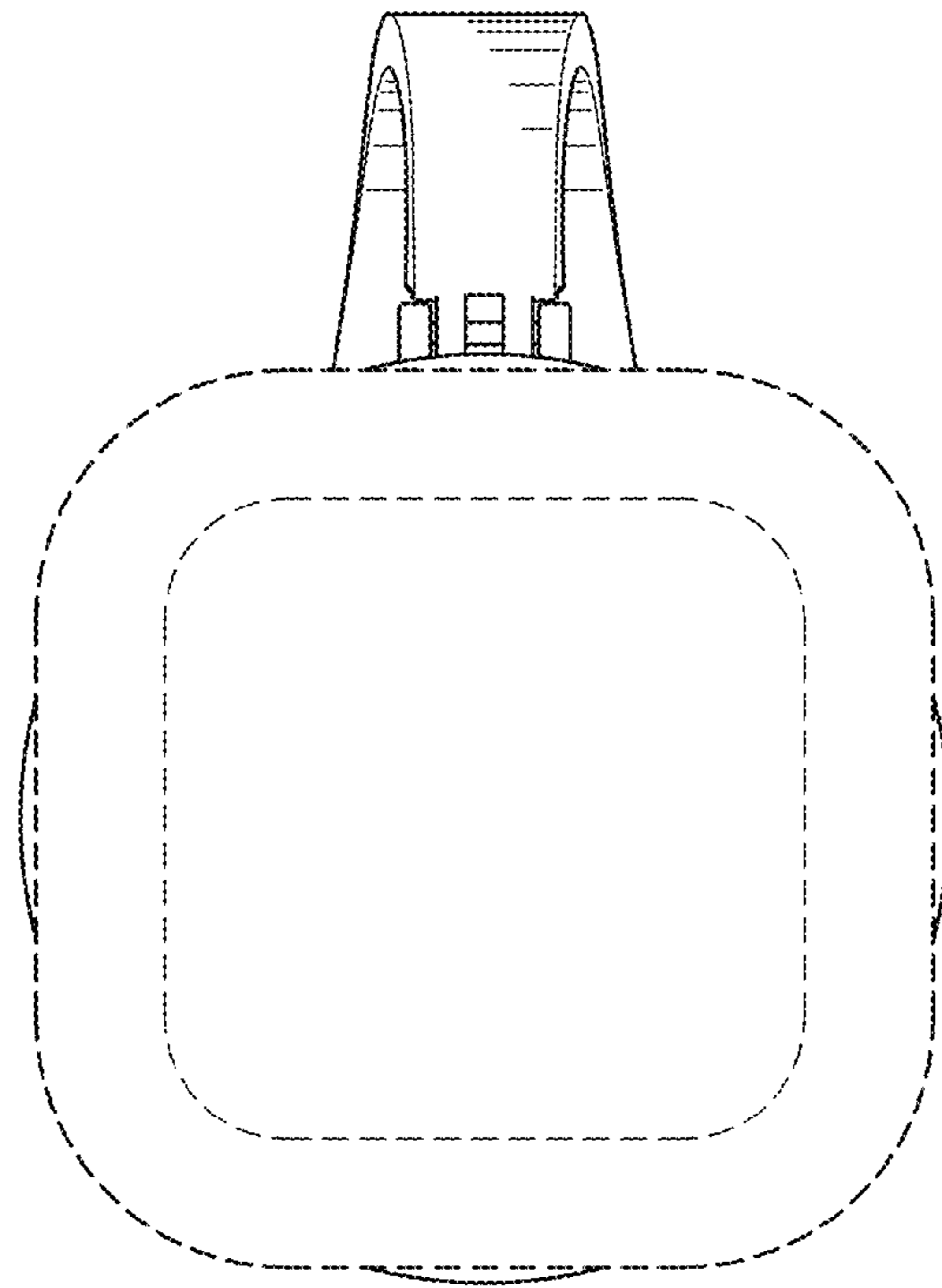


Fig. 8

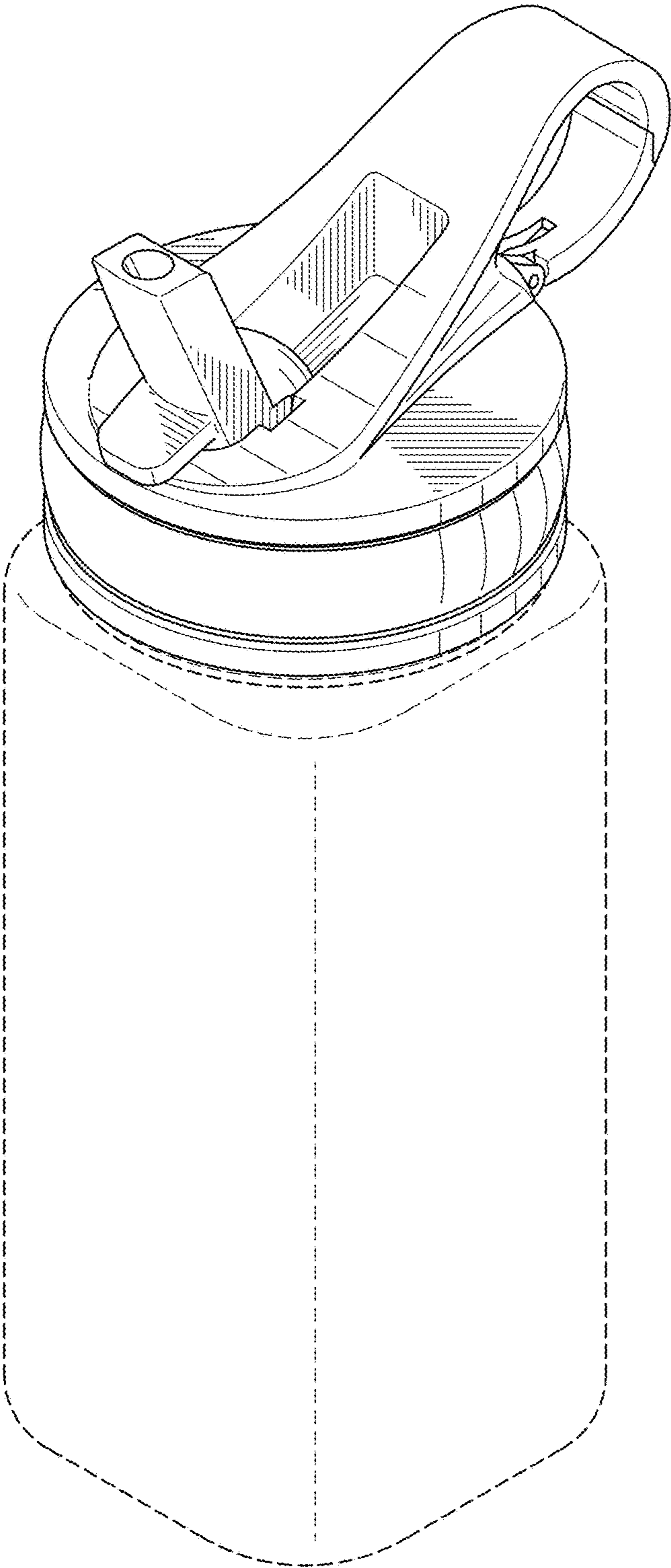


Fig. 9

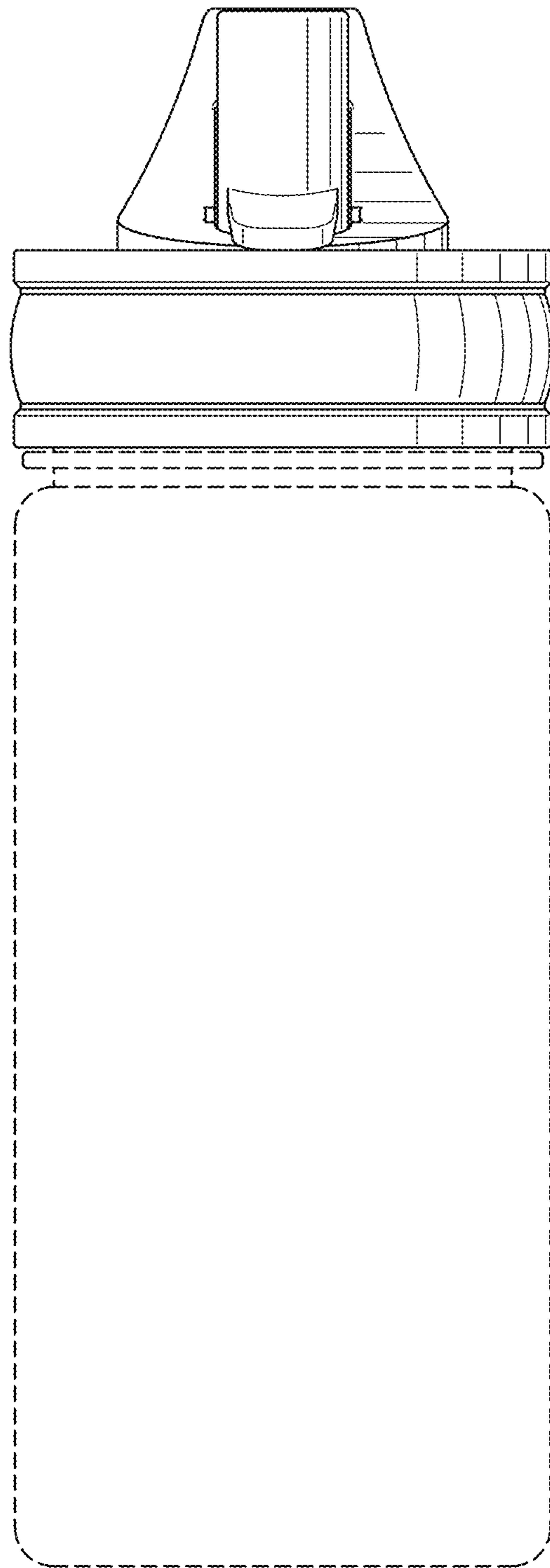


Fig. 10

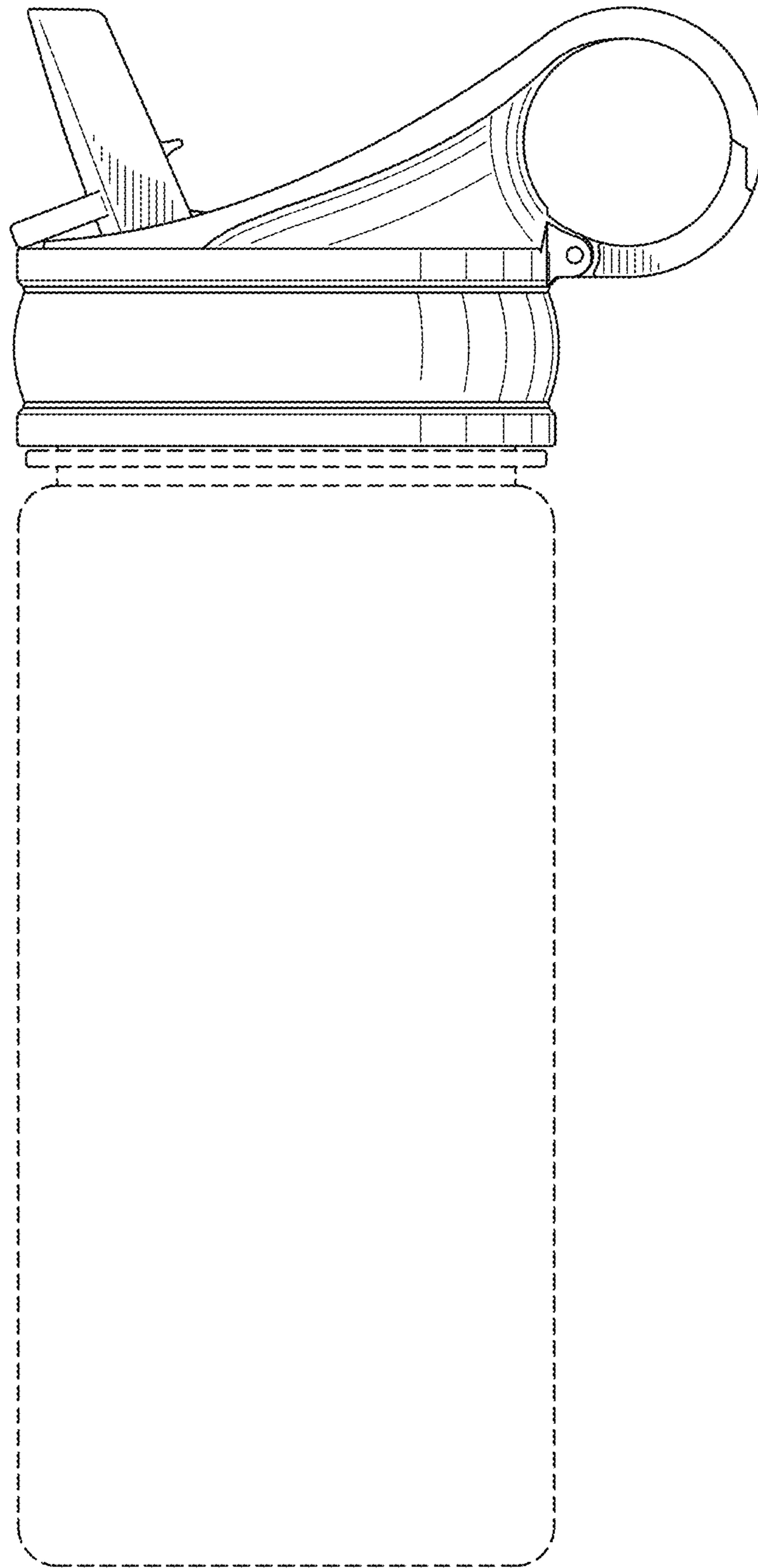


Fig. 11

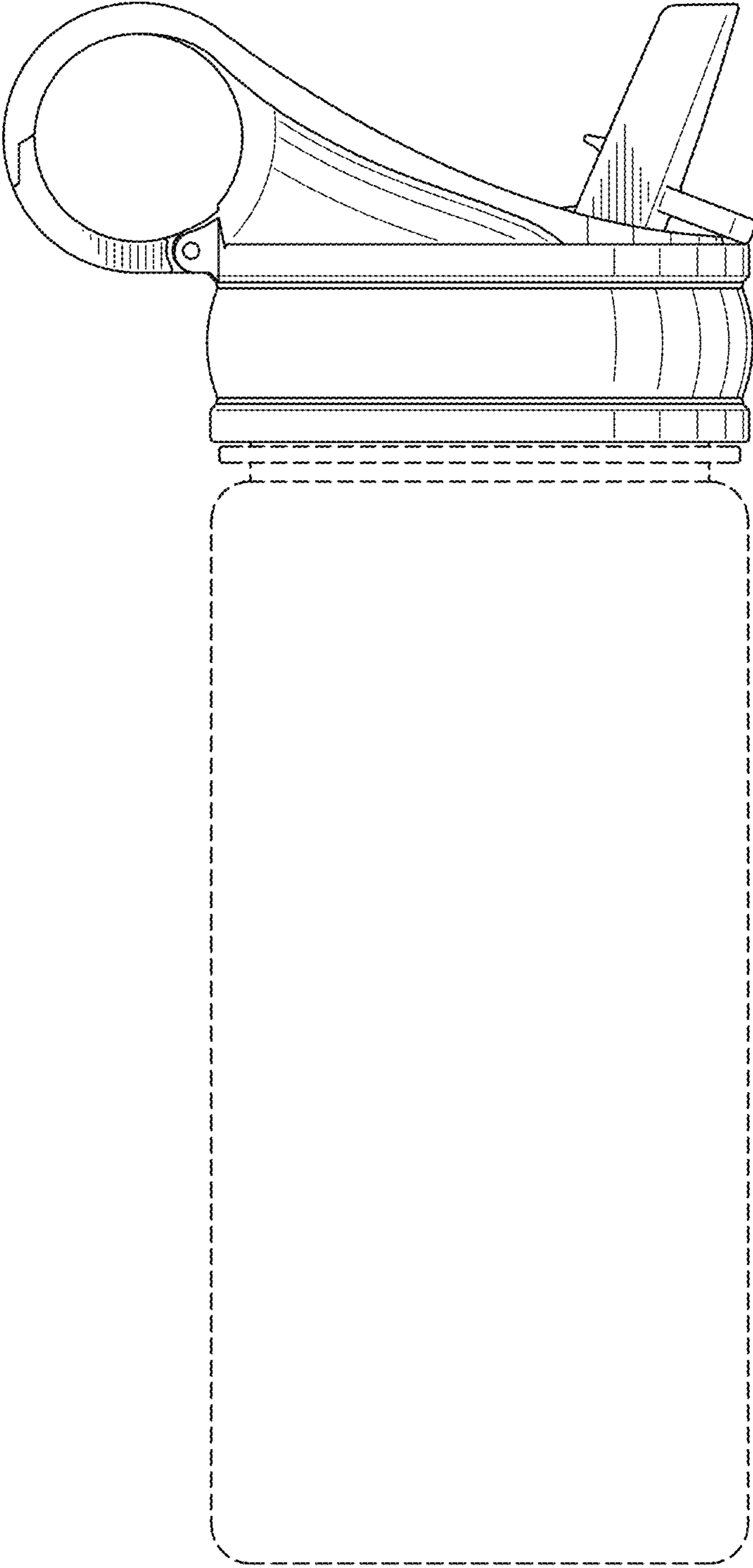


Fig. 12

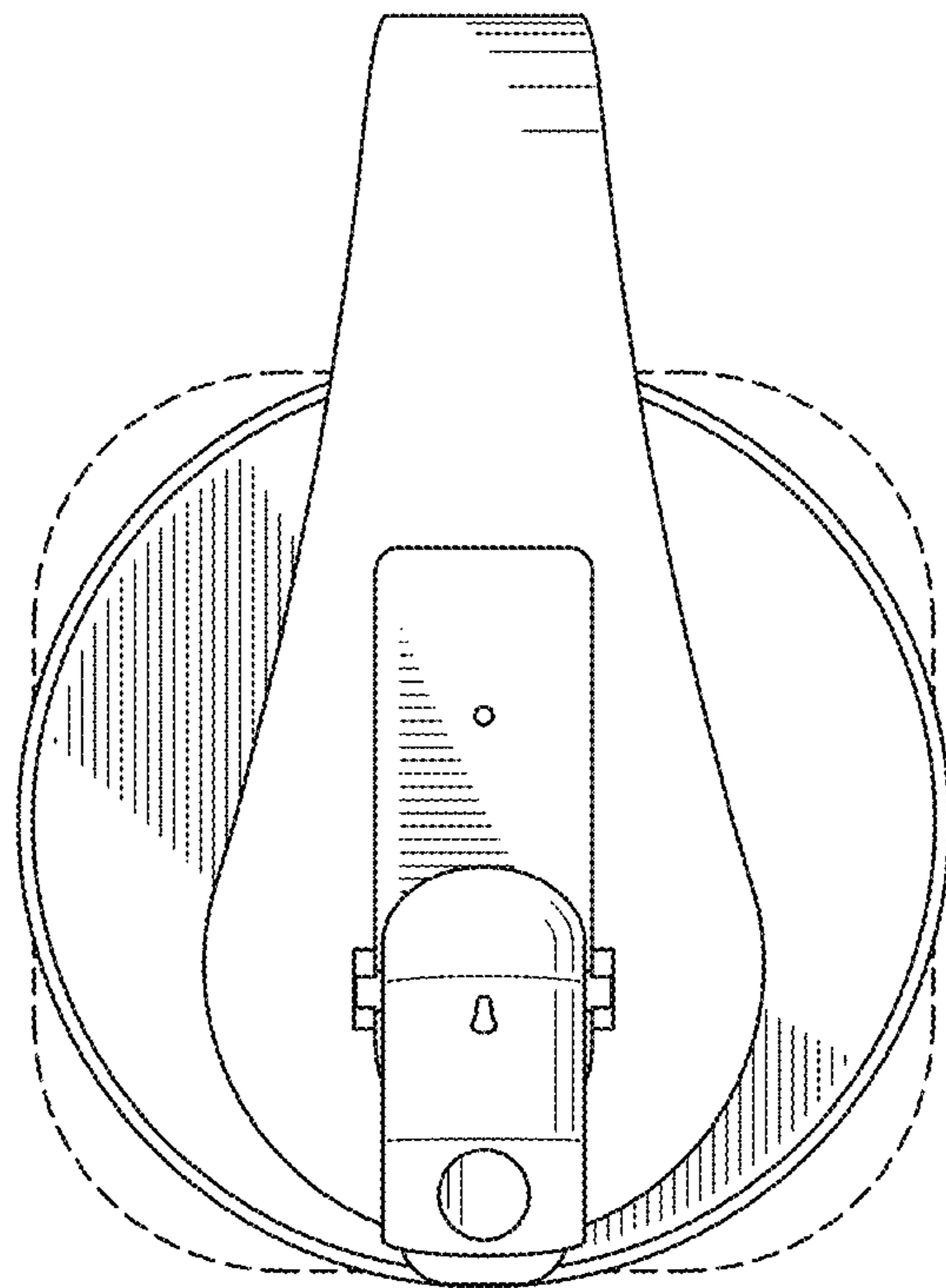


Fig. 13