



US00D844375S

(12) **United States Design Patent**
Hundley et al.

(10) **Patent No.:** **US D844,375 S**

(45) **Date of Patent:** **** Apr. 2, 2019**

(54) **HOPPER COVER FOR FOOD DISPENSER**

(71) Applicant: **The Vollrath Company, L.L.C.**,
Sheboygan, WI (US)

(72) Inventors: **Jill Hundley**, Sheboygan, WI (US);
Richard Koehl, Sheboygan Falls, WI
(US); **Ken Wetenkamp**, Plymouth, WI
(US)

(73) Assignee: **The Vollrath Company, L.L.C.**,
Sheboygan, WI (US)

(**) Term: **15 Years**

(21) Appl. No.: **29/624,153**

(22) Filed: **Oct. 30, 2017**

Related U.S. Application Data

(62) Division of application No. 29/553,959, filed on Feb.
5, 2016.

(51) **LOC (11) Cl.** **07-99**

(52) **U.S. Cl.**
USPC **D7/391**

(58) **Field of Classification Search**

USPC D3/272, 273, 302, 304, 310, 313, 315,
D3/319, 901; D6/512, 515-525;
D7/396.1, 505, 550.1, 553.1, 553.2,
D7/553.4, 554.3, 554.5, 602, 611, 701,
D7/323, 354, 391, 392, 392.1, 503, 552.1,
D7/554.1, 586, 600.1, 614, 704; D9/414,
D9/432, 455, 456, 756, 757, 758, 791,
D9/762, 418, 420-426, 427, 431, 433,
D9/434, 435, 517, 737, 739, 740, 741,
D9/744, 745; D19/106; D23/280;
D26/121

CPC B65D 1/243; B65D 2501/24019; B65D
2501/24108; B65D 2501/24254; B65D
2501/2435; B65D 2501/24764; B65D
2501/24834; B65D 21/036; B65D 21/022;

(Continued)

(56) **References Cited**

U.S. PATENT DOCUMENTS

D97,216 S * 10/1935 Vernin D15/135
2,038,218 A 4/1936 Holt

(Continued)

OTHER PUBLICATIONS

Stoelting, A Vollrath Company, Model F231 Operators Manual,
2016, 29 pages.

Primary Examiner — Jennifer Rivard

Assistant Examiner — Catherine S Posthauer

(74) *Attorney, Agent, or Firm* — Foley & Lardner LLP

(57) **CLAIM**

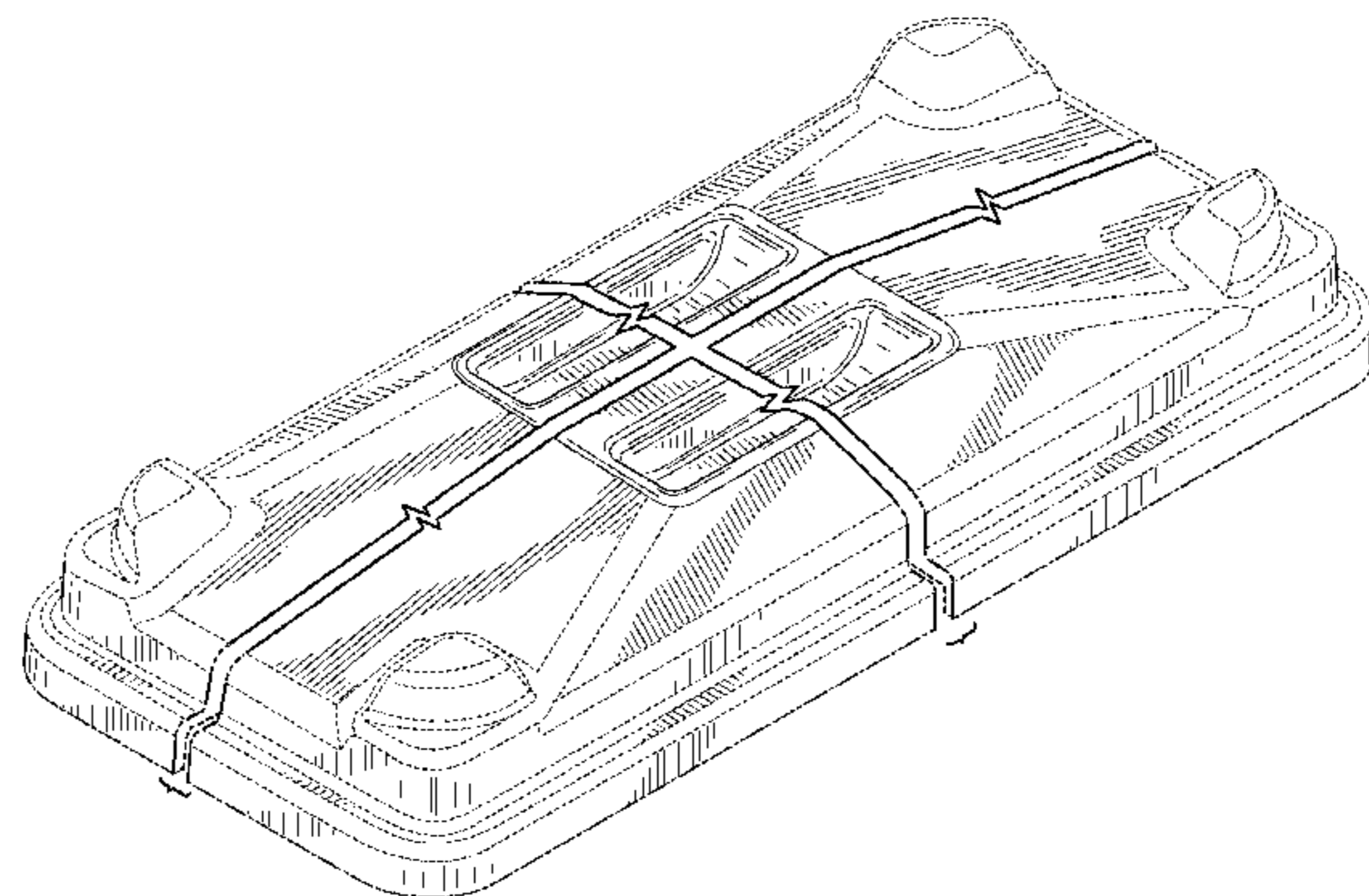
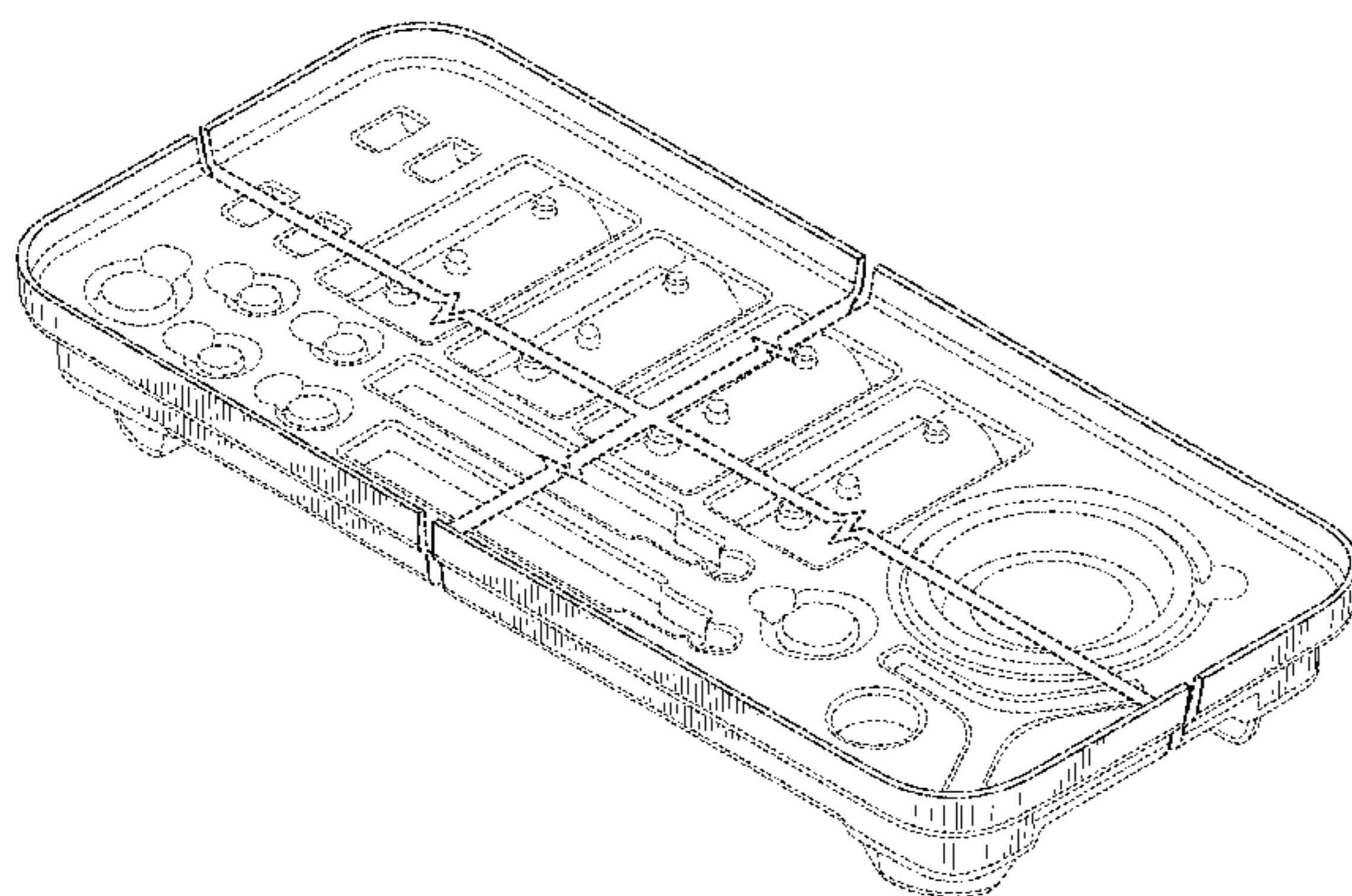
We claim the ornamental design for a hopper cover for food
dispenser, as shown and described.

DESCRIPTION

FIG. 1 is a bottom perspective view of a hopper cover for
food dispenser, showing our new design;
FIG. 2 is a top perspective view thereof;
FIG. 3 is a bottom view thereof;
FIG. 4 is a top view thereof;
FIG. 5 is a left view thereof;
FIG. 6 is a right view thereof;
FIG. 7 is a front view thereof; and,
FIG. 8 is a rear view thereof.

The ornamental design which is claimed is shown in solid
lines in the figures. The evenly broken lines are shown for
the purpose of illustrating parts of the article that form no
part of the claim. The evenly broken lines and the dash-dot
broken lines immediately adjacent to shaded surfaces form
a boundary of the claim. The drawings include symbolic
break lines. The appearance of any portion of the article
between the break lines forms no part of the claimed design.

1 Claim, 6 Drawing Sheets



(58) **Field of Classification Search**

CPC B65D 21/0233; B65D 51/02; B65D 51/36;
 B65D 25/24; B65D 25/2826; B65D
 43/022; B65D 75/24; B65D 75/323;
 B65D 75/327; B65D 81/025; B65D 5/00;
 B65D 5/001; B65D 5/0015; B65D
 5/0254; B65D 5/0045; B65D 5/18; B65D
 1/225; B65D 1/24; B65D 1/34; B65D
 1/38; B65D 75/22; B65D 75/366; B65D
 43/162; A45D 27/29; A47F 1/126

See application file for complete search history.

(56) **References Cited**

U.S. PATENT DOCUMENTS

D103,860 S * 3/1937 Randall D9/456
 D103,861 S * 3/1937 Randall D9/456
 D183,318 S * 8/1958 Martelli D9/758
 3,979,007 A 9/1976 Thornbloom, Jr.
 4,300,700 A 11/1981 Chang
 4,611,713 A 9/1986 Byrns
 4,614,859 A 9/1986 Beckering et al.
 D289,825 S * 5/1987 Humphries D3/313
 4,947,739 A 8/1990 Owen
 D311,624 S * 10/1990 O'Leary D3/304
 D333,093 S * 2/1993 Rehrig D3/314
 D420,727 S 2/2000 Hundley
 6,176,499 B1 1/2001 Conrado et al.
 D440,118 S * 4/2001 Claffy D7/553.1
 D471,766 S * 3/2003 Bradley D7/549
 6,968,969 B1 11/2005 McKinnon, Jr.
 7,614,518 B2 11/2009 Barber
 D615,396 S 5/2010 Changpan

7,784,640 B2 8/2010 Matsutori et al.
 7,854,321 B2 12/2010 Twig et al.
 D638,255 S 5/2011 Barber
 D653,963 S * 2/2012 Golota D9/737
 D675,878 S * 2/2013 Shirley D7/602
 D677,116 S 3/2013 Smyers et al.
 D677,568 S 3/2013 Sina
 D678,409 S 3/2013 Papenfubeta
 8,469,222 B1 6/2013 Stavitzski et al.
 D687,300 S * 8/2013 Jones D9/456
 D689,772 S * 9/2013 Jones D9/456
 D698,198 S 1/2014 Renz et al.
 D723,920 S * 3/2015 Wakeham D9/456
 D748,498 S * 2/2016 Pipes D9/424
 D749,417 S * 2/2016 Bate D9/456
 9,259,016 B2 2/2016 Mohammed et al.
 D757,350 S 5/2016 Levy et al.
 D766,663 S * 9/2016 Bergeron D7/553.1
 D773,236 S 12/2016 Durant
 9,635,874 B2 5/2017 Bruckner et al.
 D793,812 S * 8/2017 Dennis D7/553.2
 9,764,880 B2 * 9/2017 Hundley B65D 51/02
 D801,760 S * 11/2017 Neumann A45C 11/20
 D7/701
 2004/0178208 A1 9/2004 Leba et al.
 2004/0232637 A1 11/2004 Butler
 2010/0012537 A1 * 1/2010 Farrar A61M 5/002
 206/364
 2011/0226766 A1 9/2011 Baker
 2012/0318705 A1 * 12/2012 Brooks B65D 1/243
 206/561
 2017/0225853 A1 * 8/2017 Hundley B65D 51/02
 2017/0334617 A1 * 11/2017 Hundley B65D 25/2826
 2018/0020802 A1 1/2018 Buckle

* cited by examiner

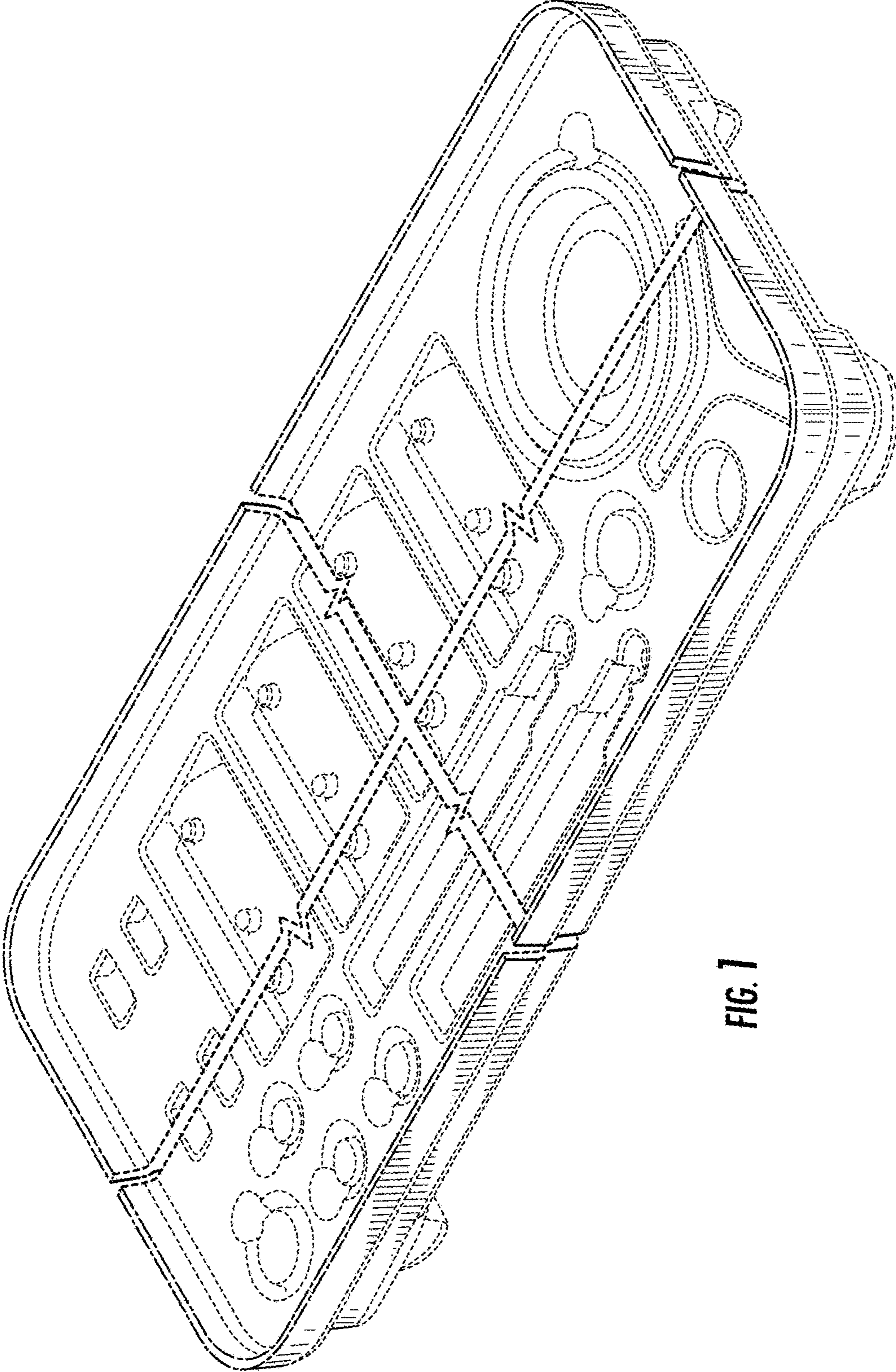


FIG. 1

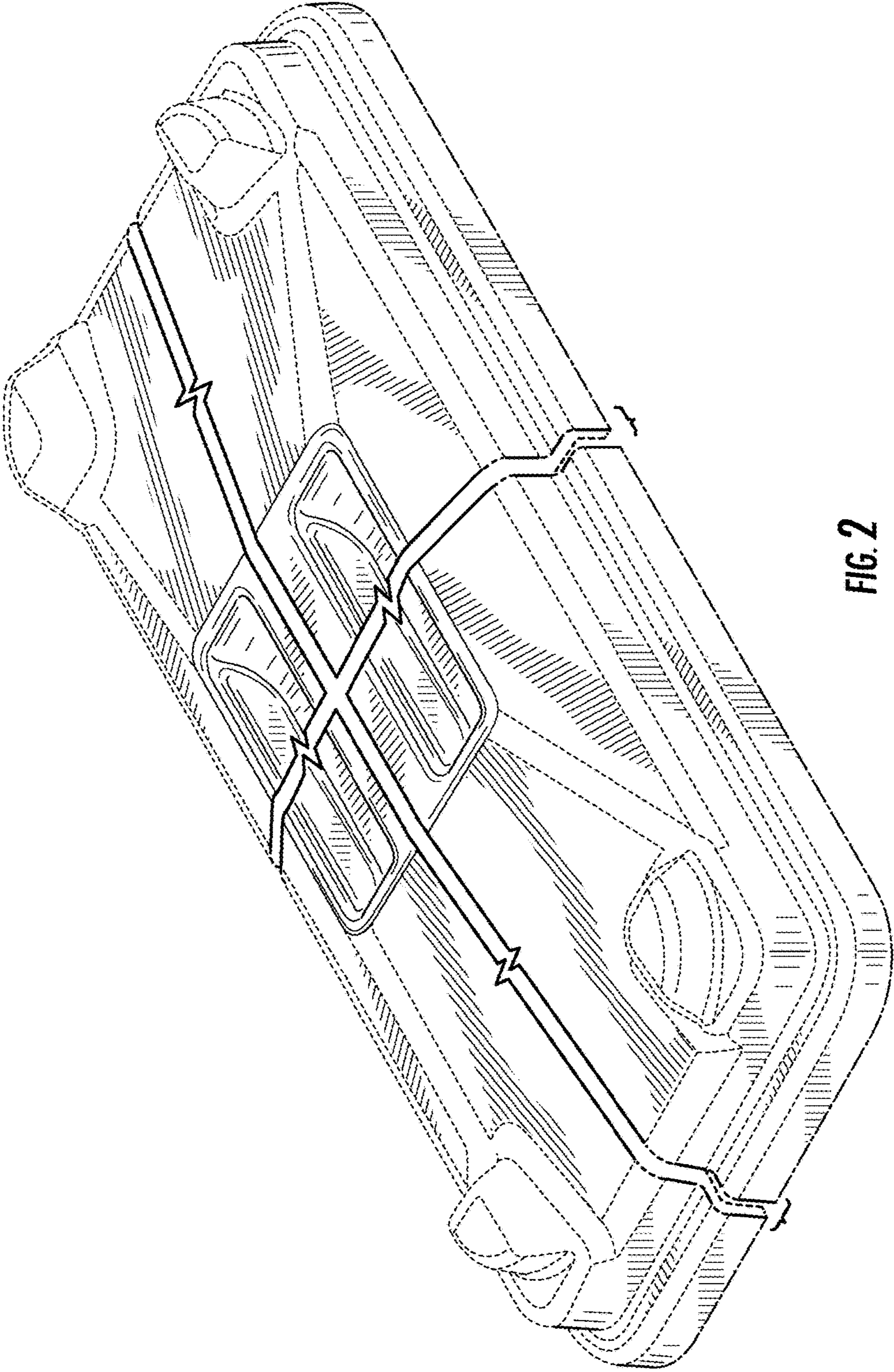


FIG. 2

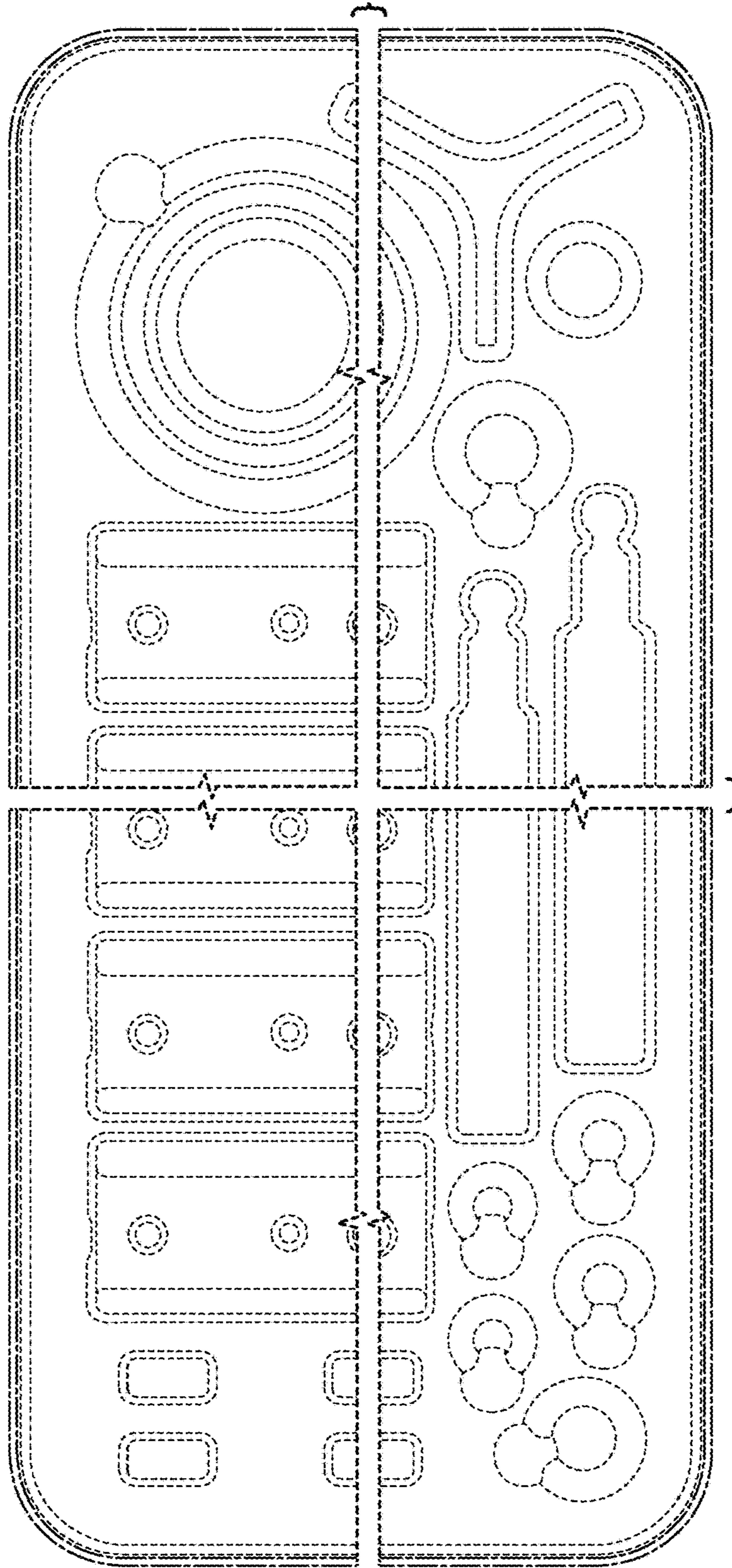


FIG. 3

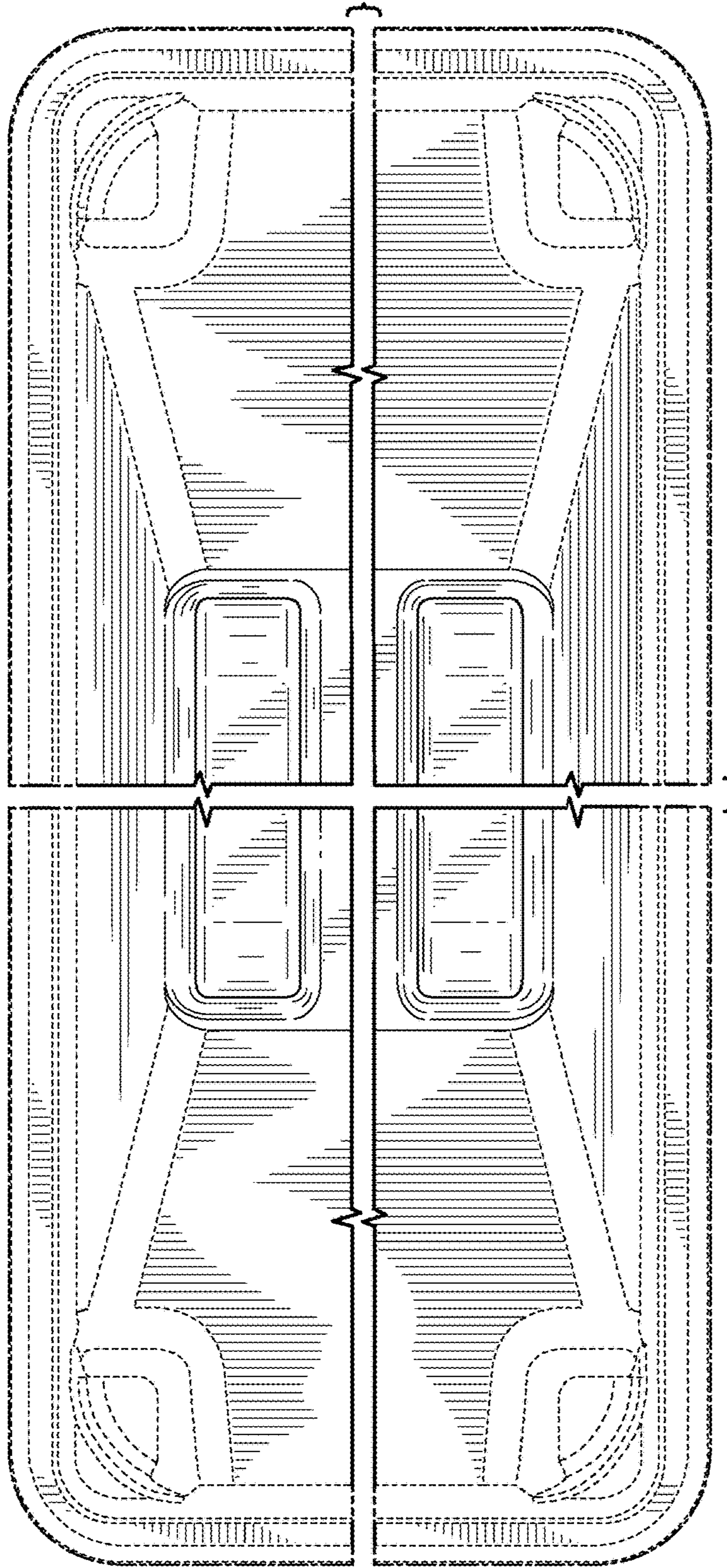


FIG. 4

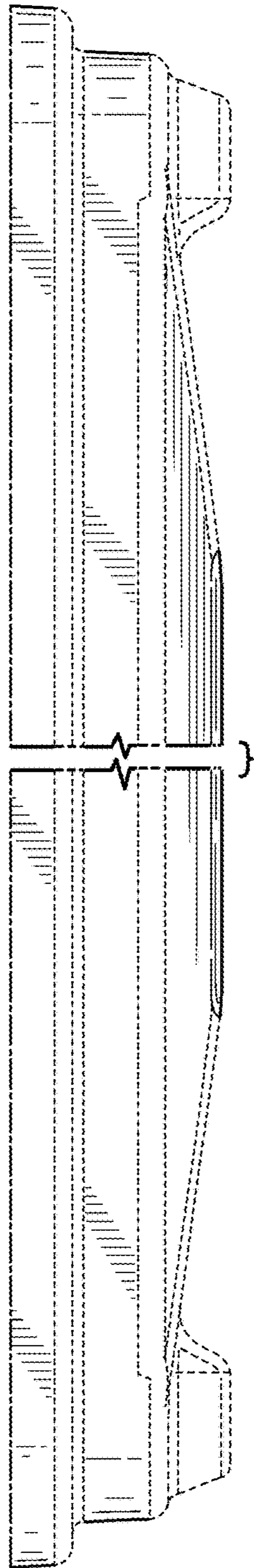


FIG. 5

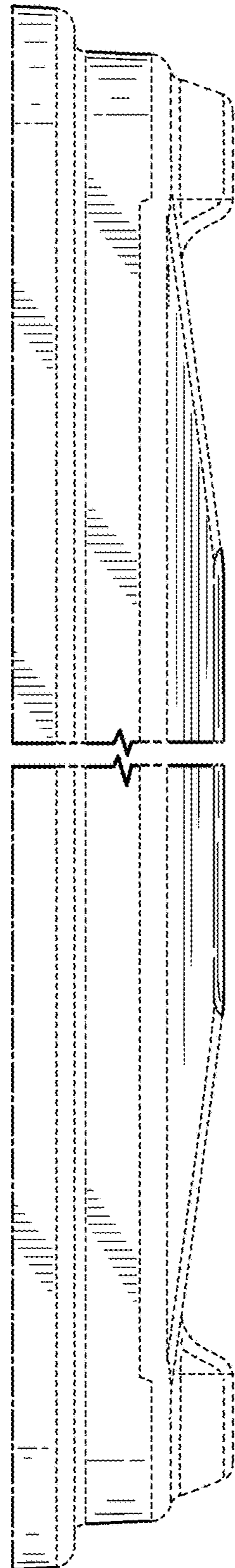


FIG. 6

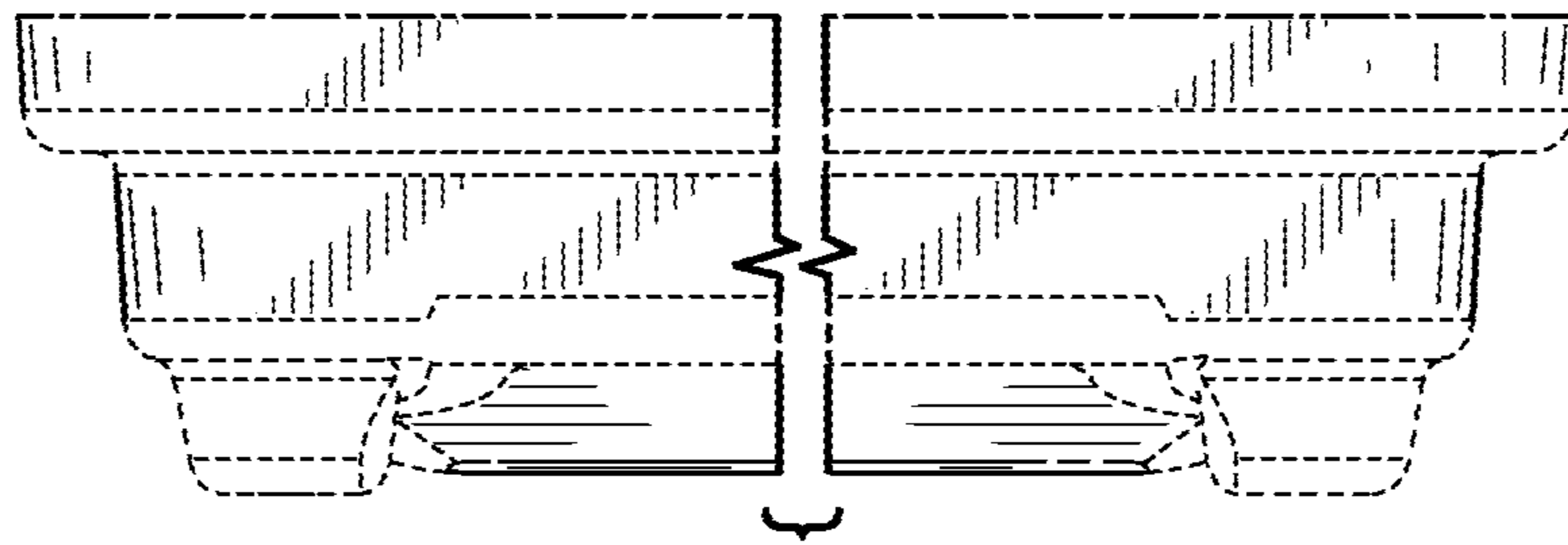


FIG. 7

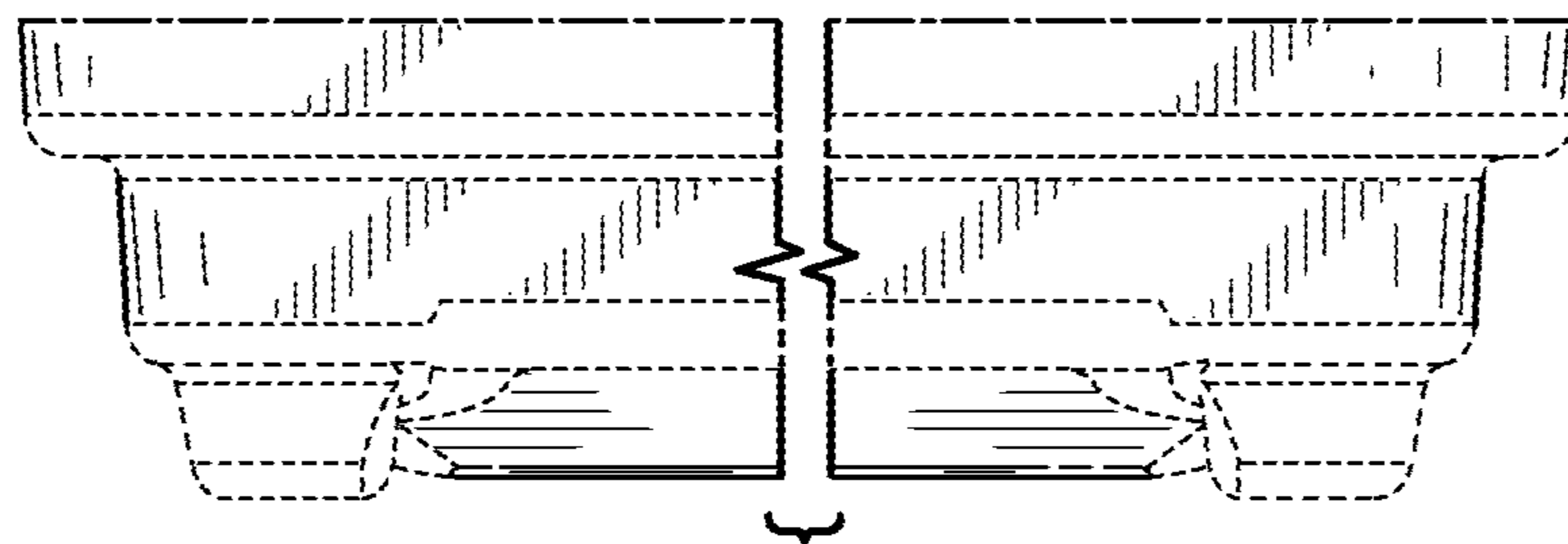


FIG. 8