



US00D844374S

(12) **United States Design Patent**  
**McConnell et al.**

(10) **Patent No.:** **US D844,374 S**

(45) **Date of Patent:** **\*\* Apr. 2, 2019**

(54) **BLENDER BASE**

(71) Applicant: **WHIRLPOOL CORPORATION**,  
Benton Harbor, MI (US)

(72) Inventors: **John W. McConnell**, St. Joseph, MI  
(US); **Brandon T. Mock**, St. Joseph,  
MI (US)

(73) Assignee: **Whirlpool Corporation**, Benton  
Harbor, MI (US)

(\*\*) Term: **15 Years**

(21) Appl. No.: **29/639,758**

(22) Filed: **Mar. 8, 2018**

(51) **LOC (11) Cl.** ..... **31-00**

(52) **U.S. Cl.**  
USPC ..... **D7/386**; D7/376; D7/378

(58) **Field of Classification Search**  
USPC ..... D7/372, 376–386, 412–413, 602, 629,  
D7/665–666, 669, 679, 693–694  
CPC .... A21C 1/02; A21C 1/04; A23N 1/00; A23N  
1/02; A47J 43/04; A47J 43/25; A47J  
43/27; A47J 43/042; A47J 43/044; A47J  
43/046; A47J 43/075; A47J 43/0722;  
A47J 43/0727; B01F 3/00; B01F 3/0807;  
B01F 3/0853; B01F 13/0059; B01F  
13/0064; B02C 1/08; B02C 2/04; B02C  
4/42; B02C 4/142; B02C 4/143; B02C  
4/423; B02C 13/1835; B28C 5/10; B28C  
5/12; B28C 5/14; B28C 5/16  
See application file for complete search history.

(56) **References Cited**

**U.S. PATENT DOCUMENTS**

D176,257 S 12/1955 Hill et al.  
D181,541 S \* 11/1957 Madl ..... D7/378  
D187,684 S 4/1960 Hauser

D200,494 S \* 3/1965 Bezark, Jr. .... D7/378  
D424,865 S 5/2000 Crescenzi et al.  
D444,995 S 7/2001 Thackray  
D484,357 S 12/2003 Seum et al.  
D526,531 S 8/2006 Drees et al.  
D533,395 S 12/2006 Drees et al.  
D552,412 S 10/2007 Steiner  
D577,537 S 9/2008 Lee  
D594,697 S 6/2009 Lavy  
D605,462 S 12/2009 Picozza et al.  
D616,244 S 5/2010 Thai et al.  
D617,136 S 6/2010 Bock et al.  
D642,858 S 8/2011 Lazzer  
D694,573 S 12/2013 Norland et al.  
D694,574 S 12/2013 Norland et al.

(Continued)

*Primary Examiner* — Ricky Pham

(74) *Attorney, Agent, or Firm* — Price Heneveld LLP

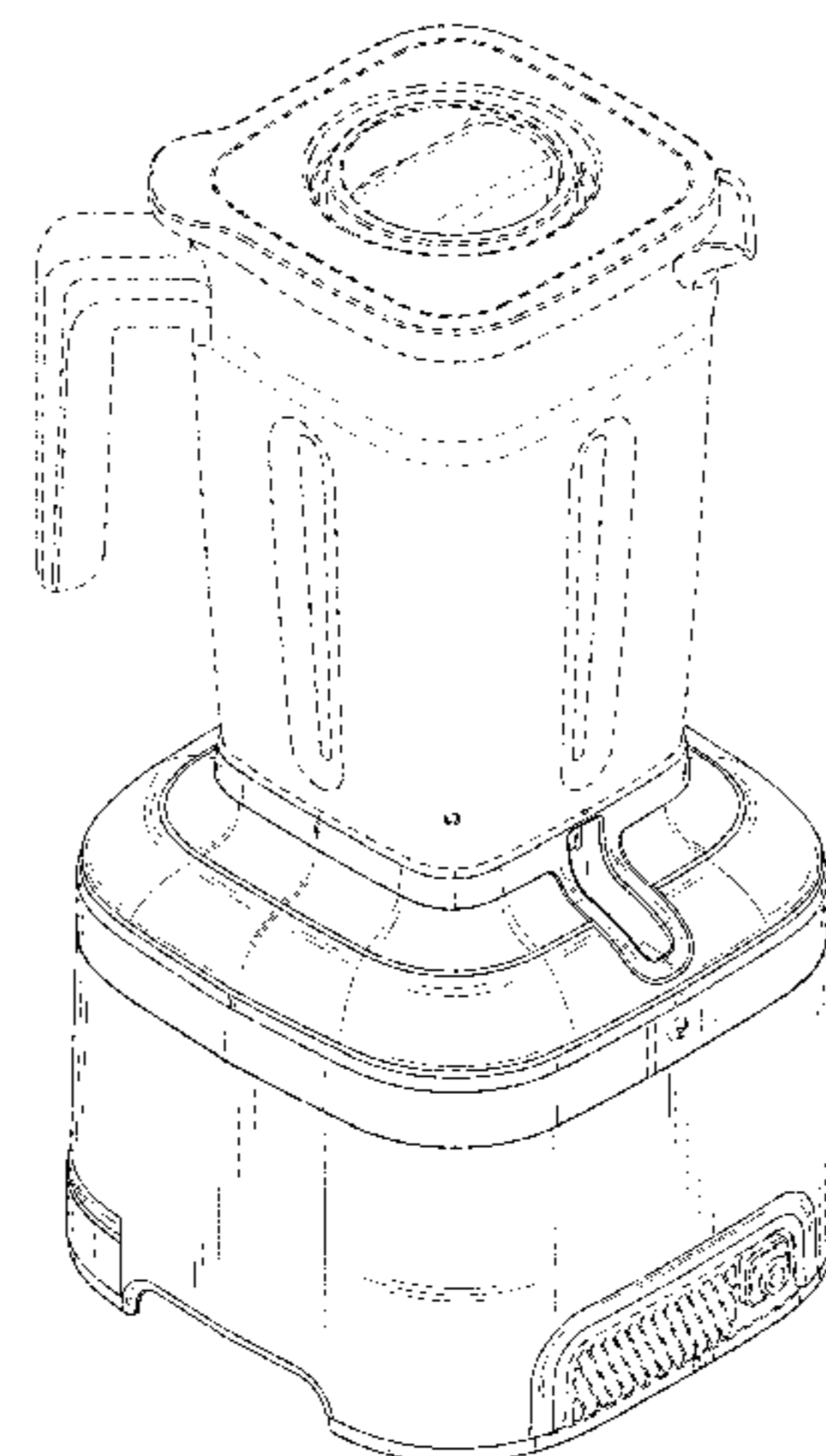
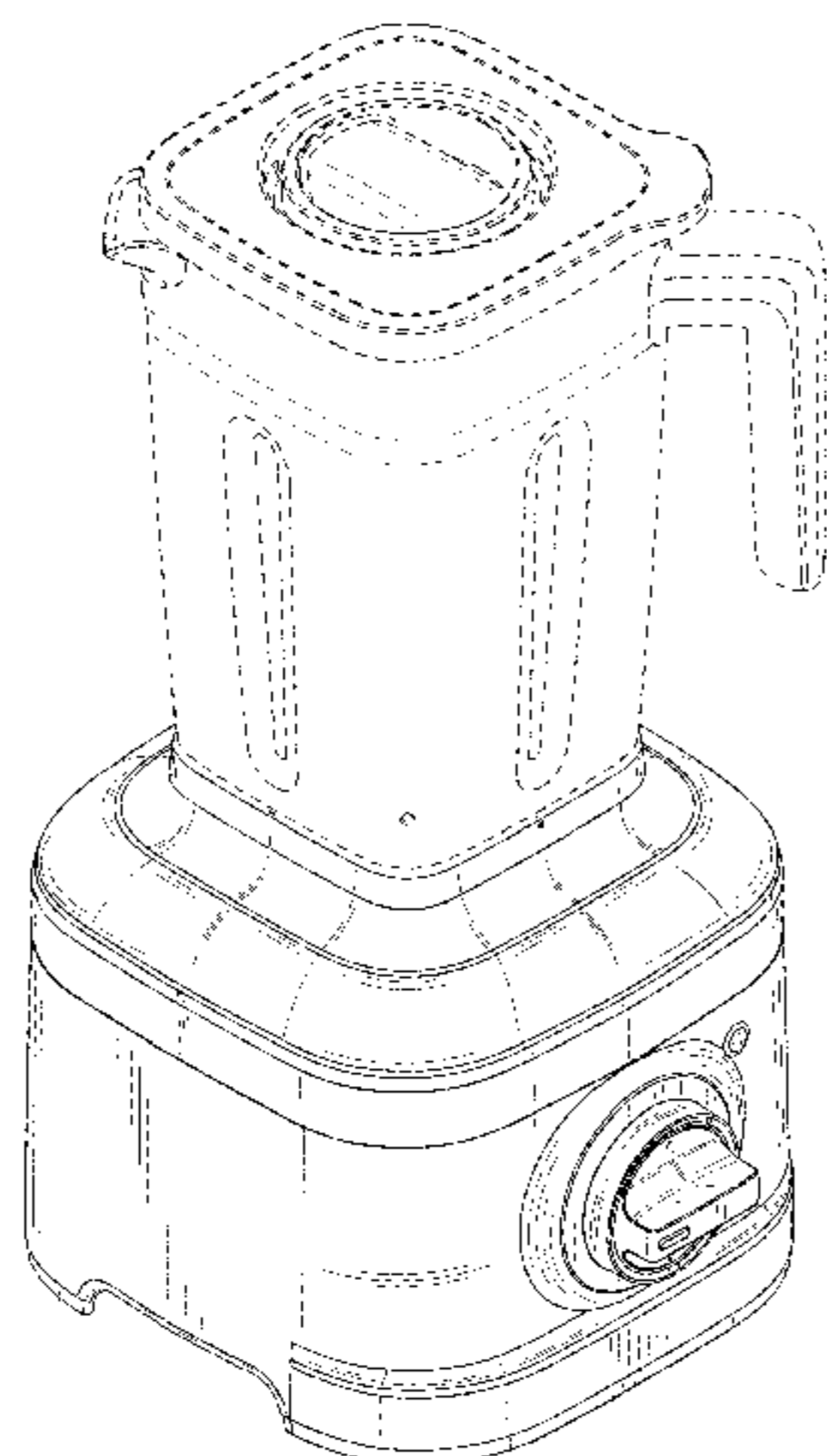
(57) **CLAIM**

We claim the ornamental design for a blender base, as shown and described.

**DESCRIPTION**

FIG. 1 is a front top perspective view of a blender base of the present disclosure;  
FIG. 2 is a rear top perspective view of the blender base of FIG. 1;  
FIG. 3 is a front elevational view of the blender base of FIG. 1;  
FIG. 4 is a rear elevational view of the blender base of FIG. 1;  
FIG. 5 is a first side elevational view of the blender base of FIG. 1;  
FIG. 6 is a second side elevational view of the blender base of FIG. 1;  
FIG. 7 is a top plan view of the blender base of FIG. 1; and,  
FIG. 8 is a bottom plan view of the blender base of FIG. 1. The broken lines depict portions of the article that form no part of the claimed design.

**1 Claim, 8 Drawing Sheets**



(56)

**References Cited**

U.S. PATENT DOCUMENTS

D731,234	S	6/2015	Weaden et al.	
D731,236	S	6/2015	Yin	
D747,135	S	1/2016	Ha	
D755,004	S	5/2016	Bock et al.	
D761,617	S *	7/2016	Dennisur .....	D7/376
D769,061	S *	10/2016	Diderotto .....	D7/376
D770,226	S	11/2016	McConnell et al.	
D772,008	S	11/2016	McConnell et al.	
D772,009	S	11/2016	McConnell et al.	
D781,098	S *	3/2017	Bond .....	D7/376
D784,071	S *	4/2017	Davies .....	D7/376
D786,613	S *	5/2017	McConnell .....	D7/376
D794,381	S *	8/2017	McConnell .....	D7/376
D798,653	S *	10/2017	Fan .....	D7/386
D811,806	S *	3/2018	Bock .....	D7/386
D815,887	S *	4/2018	Huang .....	D7/378
D828,080	S *	9/2018	Ou .....	D7/376
D829,496	S *	10/2018	Kim .....	D7/378

\* cited by examiner

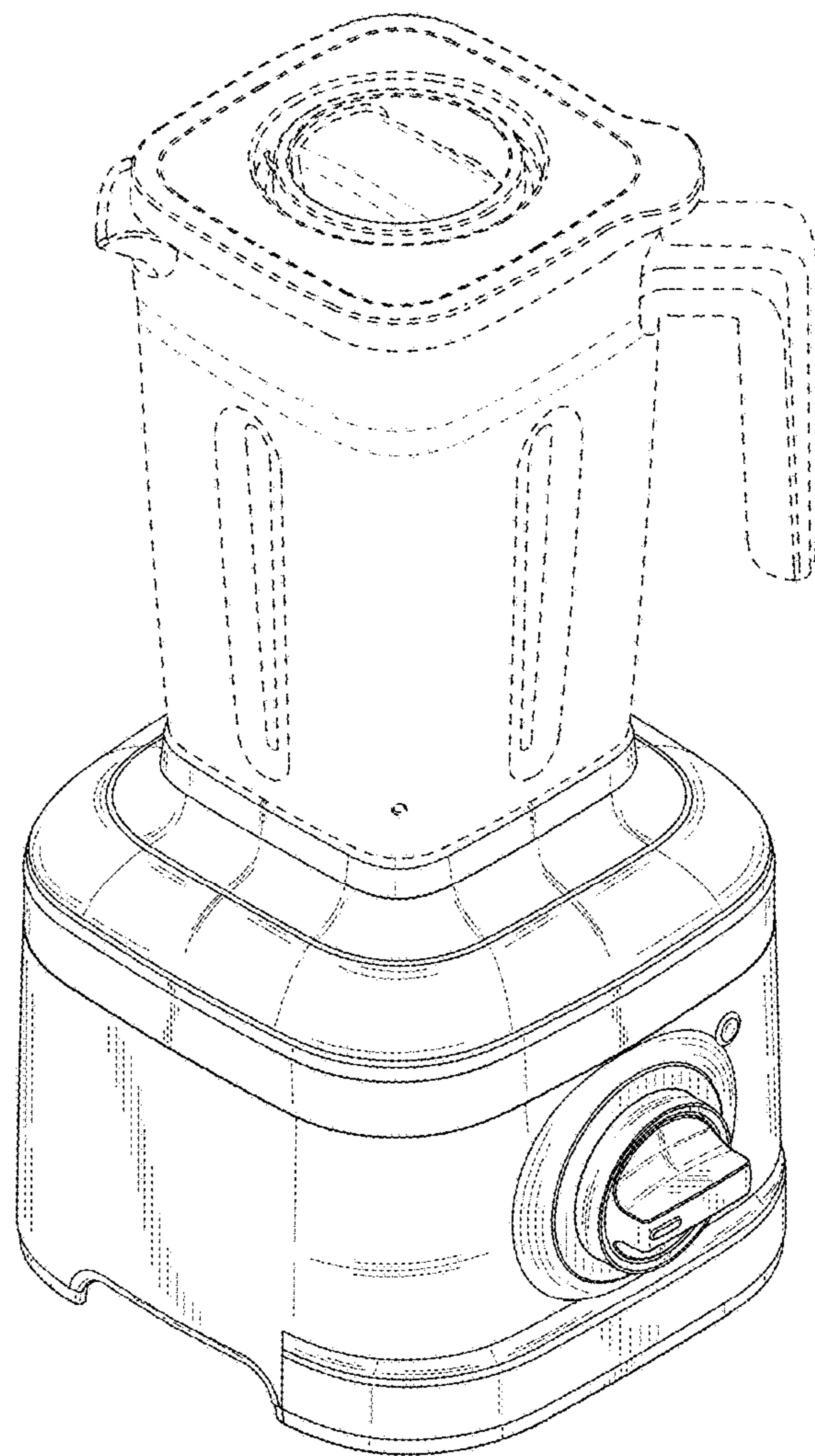


FIG. 1

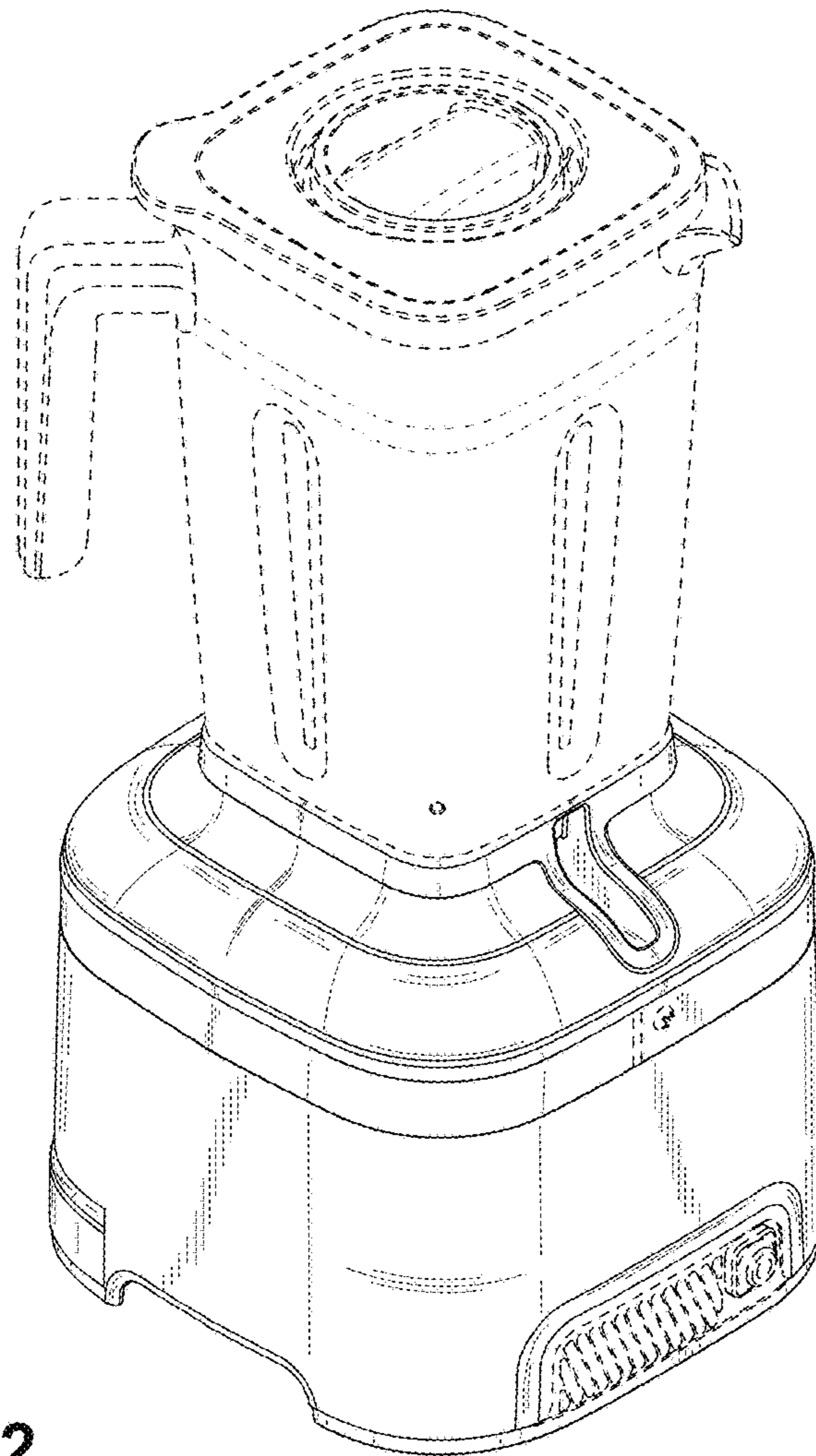


FIG. 2

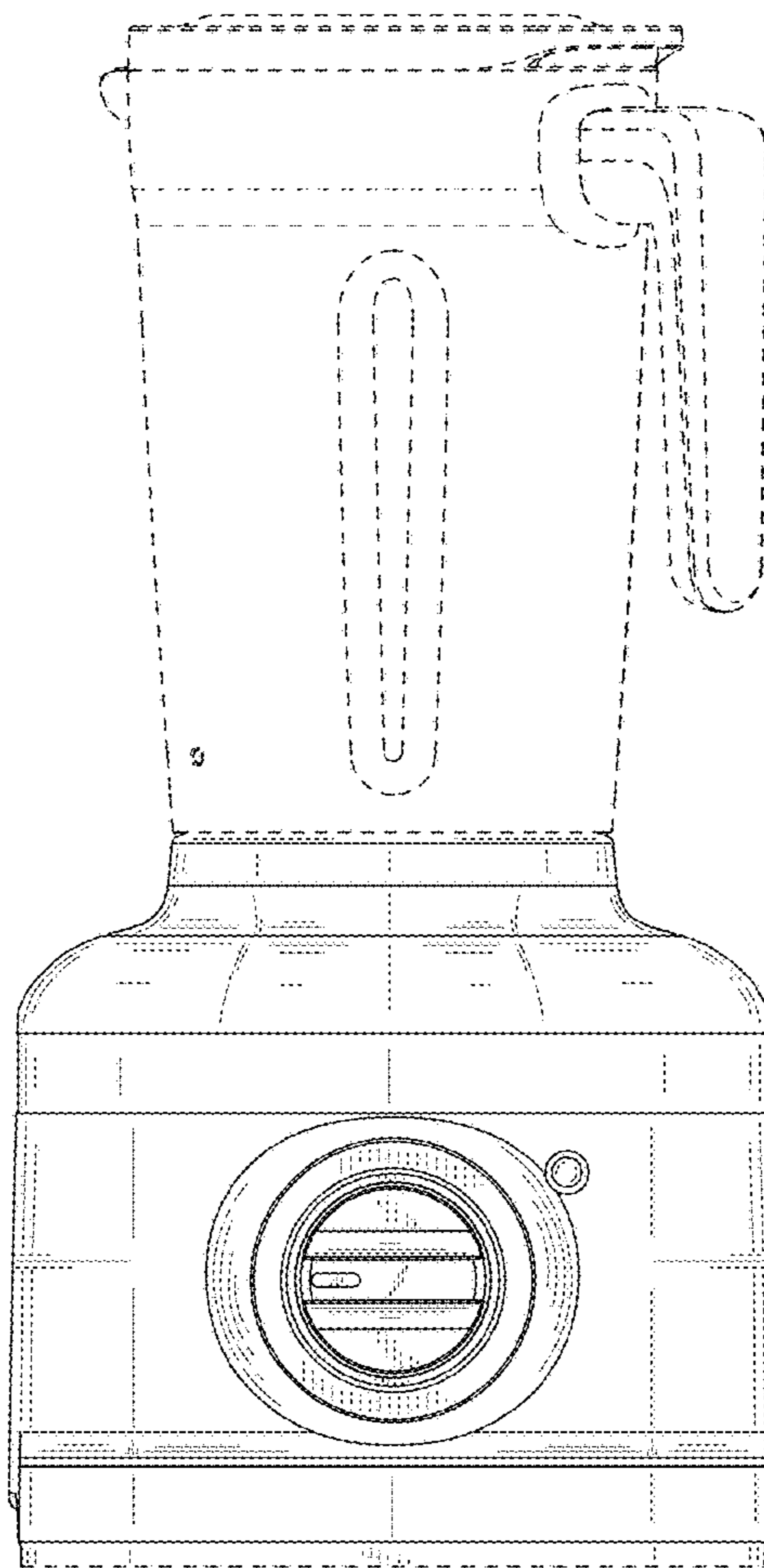


FIG. 3

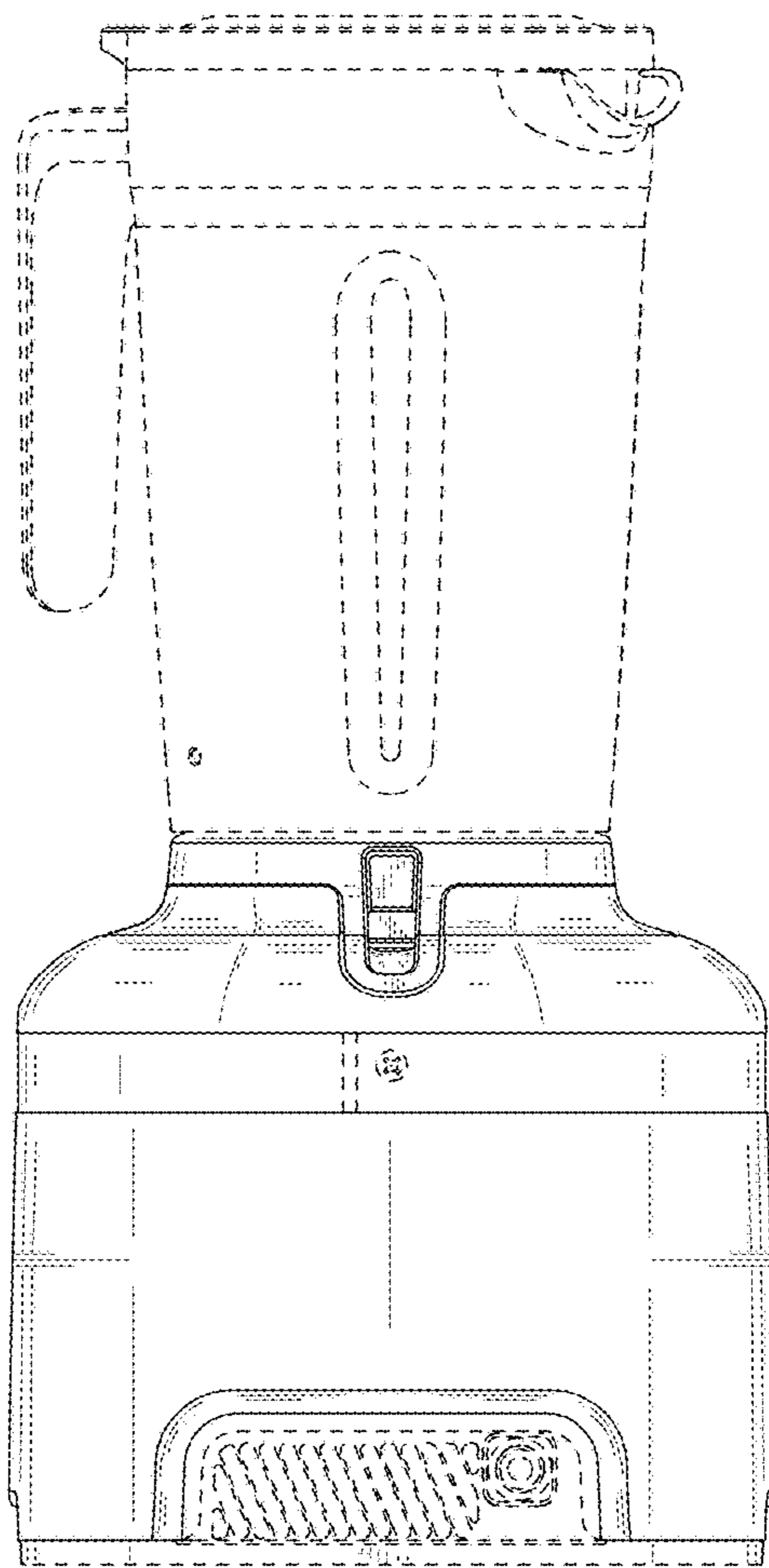


FIG. 4

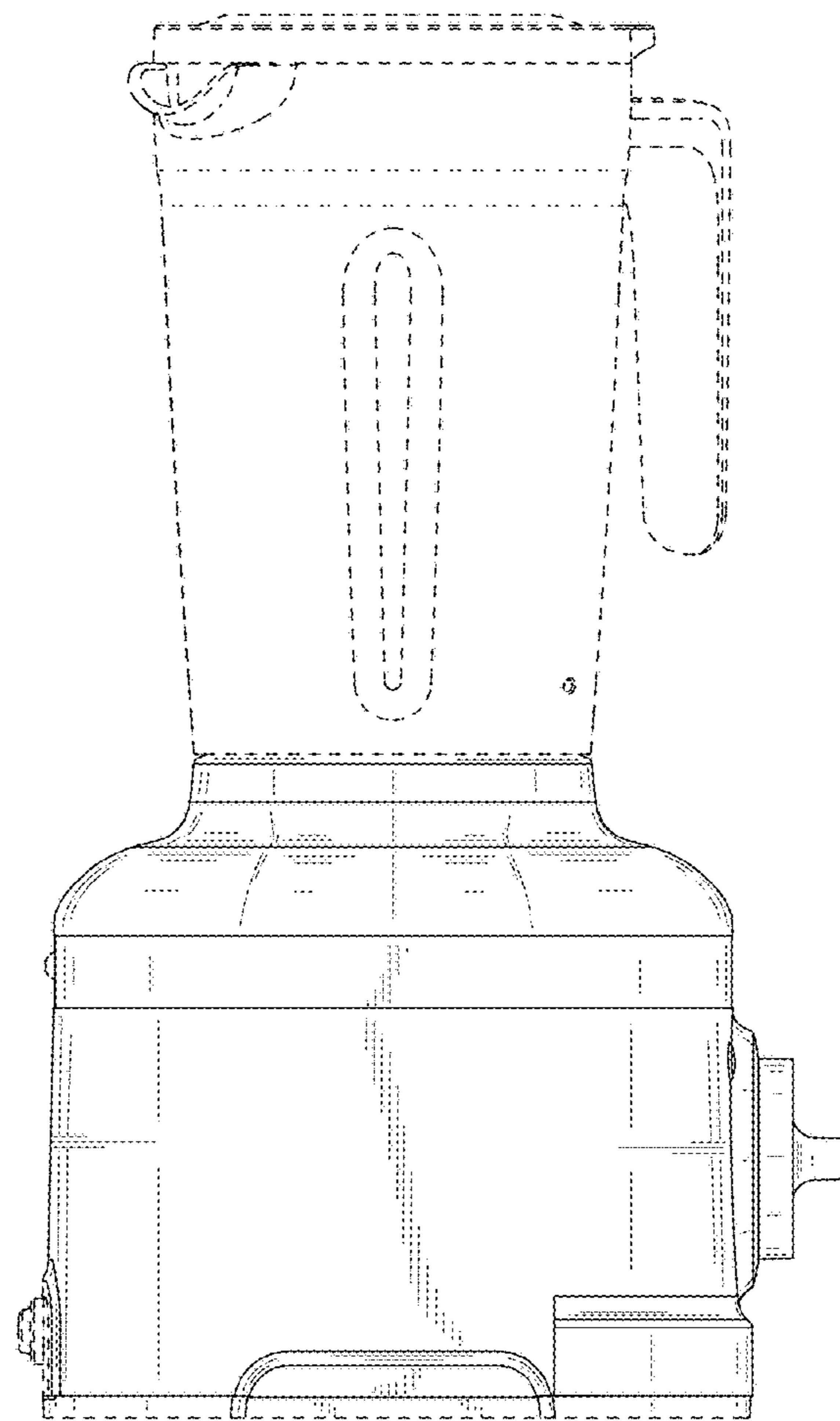


FIG. 5

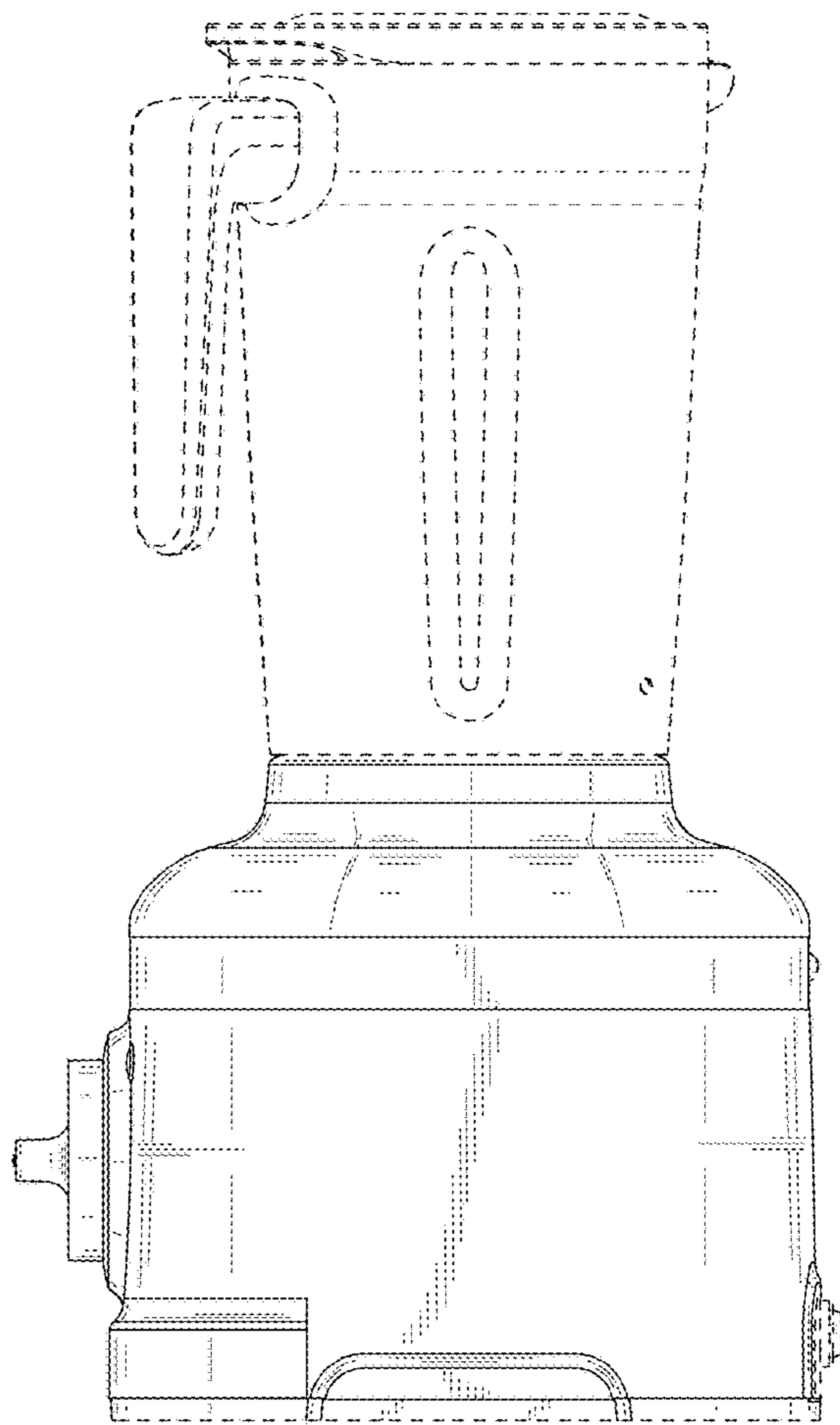


FIG. 6



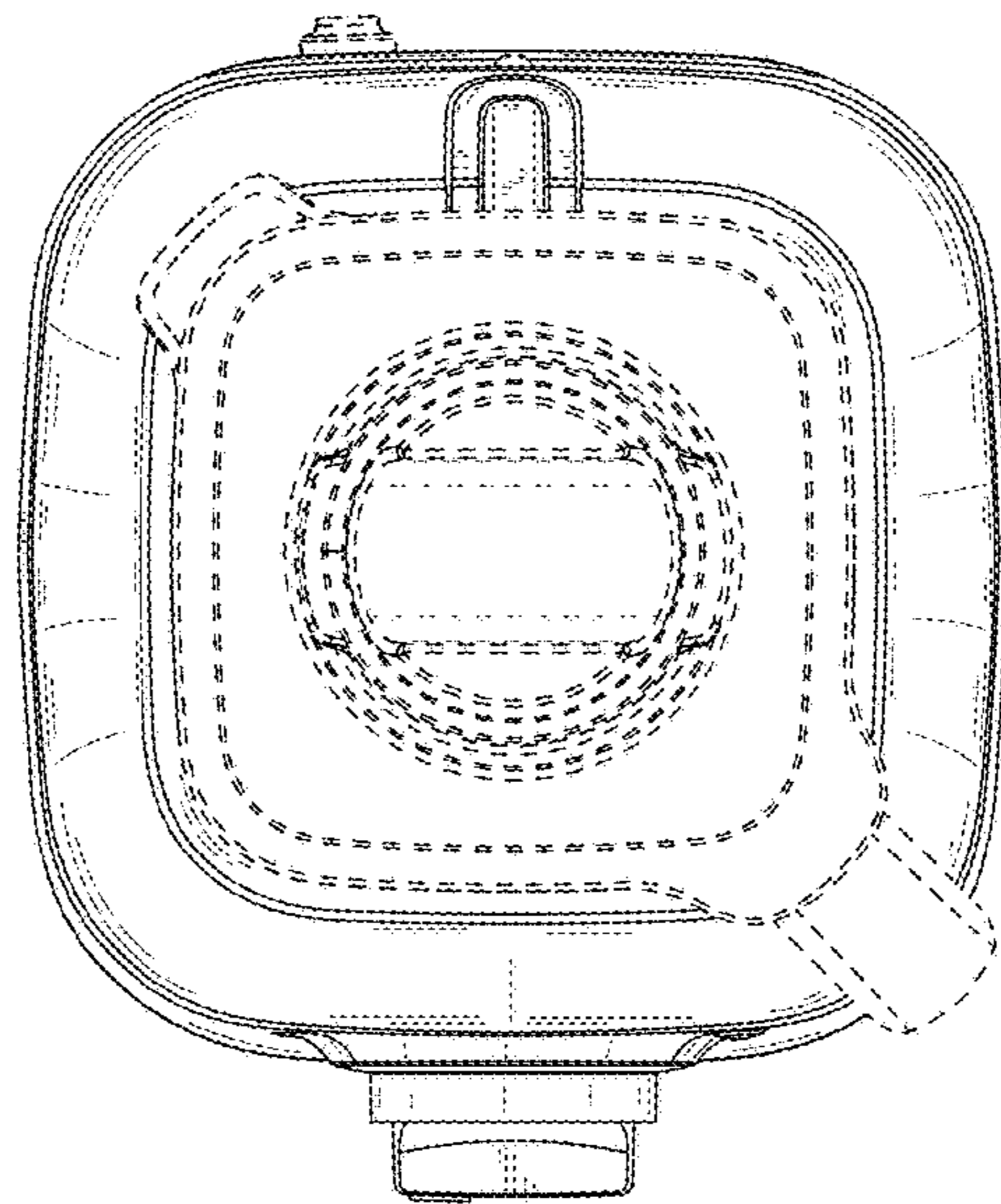


FIG. 7

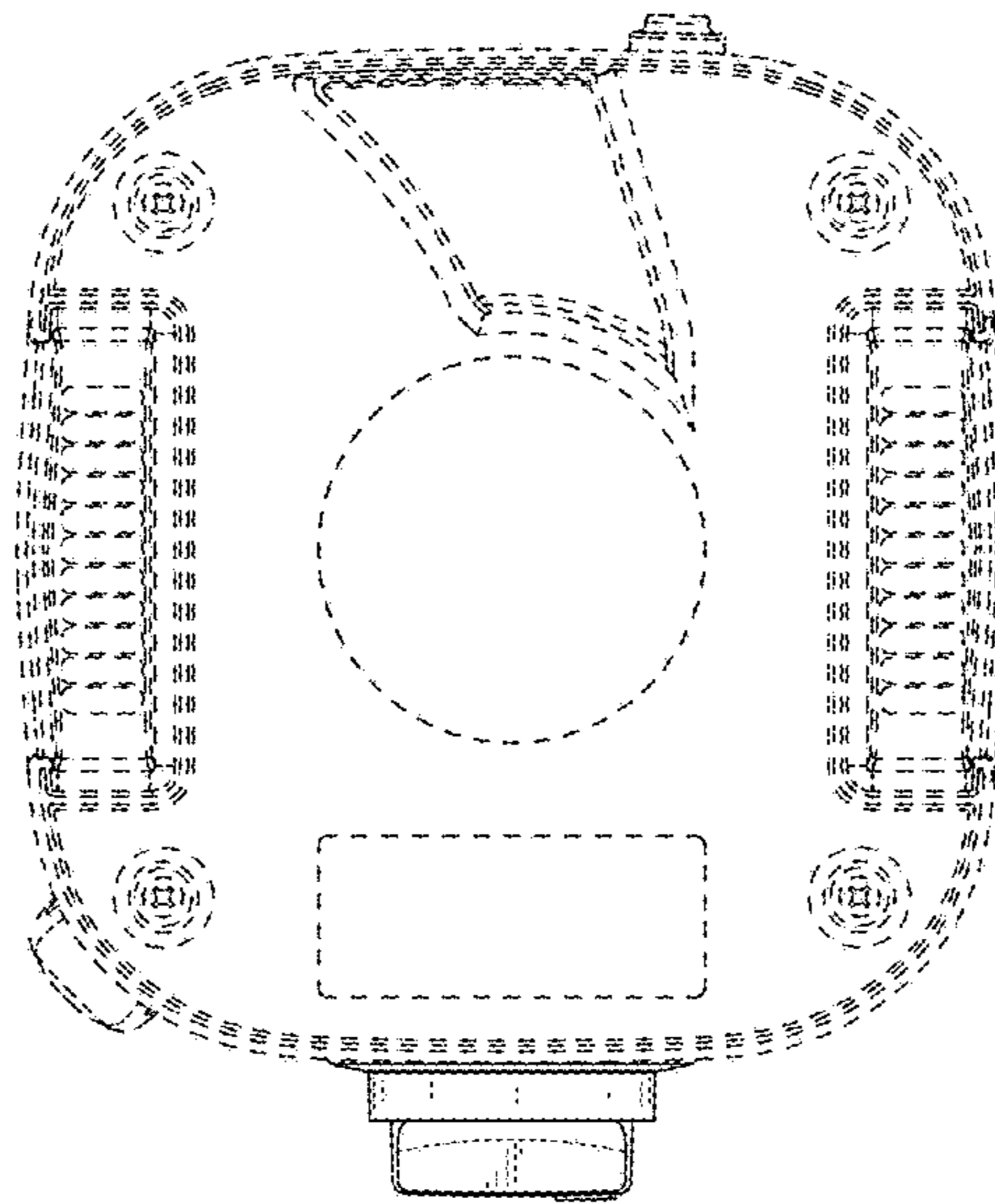


FIG. 8