



US00D844373S

(12) **United States Design Patent** (10) **Patent No.:** **US D844,373 S**
DeLeo (45) **Date of Patent:** **** Apr. 2, 2019**

(54) **APPLIANCE BASE**
(71) Applicant: **Sunbeam Products, Inc.**, Boca Raton, FL (US)
(72) Inventor: **Anthony DeLeo**, Portage, MI (US)
(73) Assignee: **Sunbeam Products, Inc.**, Boca Raton, FL (US)
(**) Term: **15 Years**

D187,684 S *	4/1960	Hauser	D7/378
D200,494 S *	3/1965	Bezark	D7/378
D553,425 S *	10/2007	Steiner	D7/378
D605,461 S *	12/2009	Picozza	D7/378
D616,244 S *	5/2010	Thai	D7/378
D690,152 S *	9/2013	Palermo	D7/376
D759,424 S *	6/2016	Ou	D7/376
D782,865 S *	4/2017	Bazzicalupo	D7/376
D783,340 S *	4/2017	Palermo	D7/376
D784,071 S *	4/2017	Davies	D7/376
D789,736 S *	6/2017	Palermo	D7/376

* cited by examiner

(21) Appl. No.: **29/627,527**
(22) Filed: **Nov. 28, 2017**
(51) **LOC (11) Cl.** **31-00**
(52) **U.S. Cl.**
USPC **D7/386; D7/376; D7/378**
(58) **Field of Classification Search**
USPC D7/372, 376-386, 412-413, 602, 629, D7/665-666, 669, 679, 693-694
CPC A21C 1/02; A21C 1/04; A23N 1/00; A23N 1/02; A47J 43/04; A47J 43/25; A47J 43/27; A47J 43/042; A47J 43/044; A47J 43/046; A47J 43/075; A47J 43/0722; A47J 43/0727; B01F 3/00; B01F 3/0807; B01F 3/0853; B01F 13/0059; B01F 13/0064; B02C 1/08; B02C 2/04; B02C 4/42; B02C 4/142; B02C 4/143; B02C 4/423; B02C 13/1835; B28C 5/10; B28C 5/12; B28C 5/14; B28C 5/16
See application file for complete search history.

Primary Examiner — Ricky Pham

(57) **CLAIM**

The ornamental design for the appliance base, as shown and described.

DESCRIPTION

FIG. 1 depicts a front perspective view of an appliance base of the present disclosure;
FIG. 2 depicts a front view thereof;
FIG. 3 depicts a rear view thereof;
FIG. 4 depicts a right side view thereof;
FIG. 5 depicts a left side view thereof;
FIG. 6 depicts a top view thereof; and,
FIG. 7 depicts a bottom view thereof.
The broken lines in the drawings depict portions of the appliance base that form no part of the claimed design.

(56) **References Cited**
U.S. PATENT DOCUMENTS

D176,257 S *	12/1955	Hill	D7/378
D181,541 S *	11/1957	Madl	D7/378

1 Claim, 4 Drawing Sheets

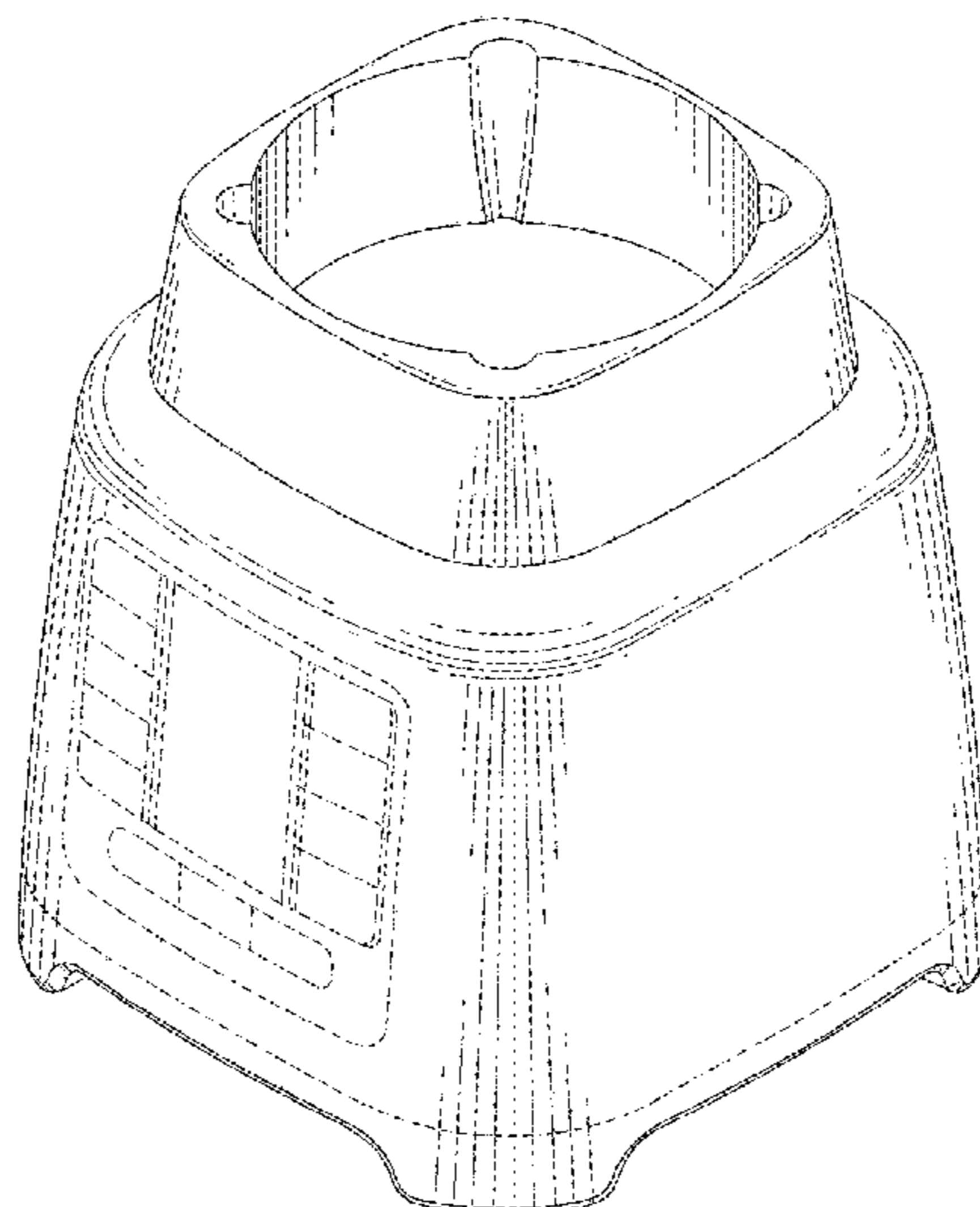


FIG. 1

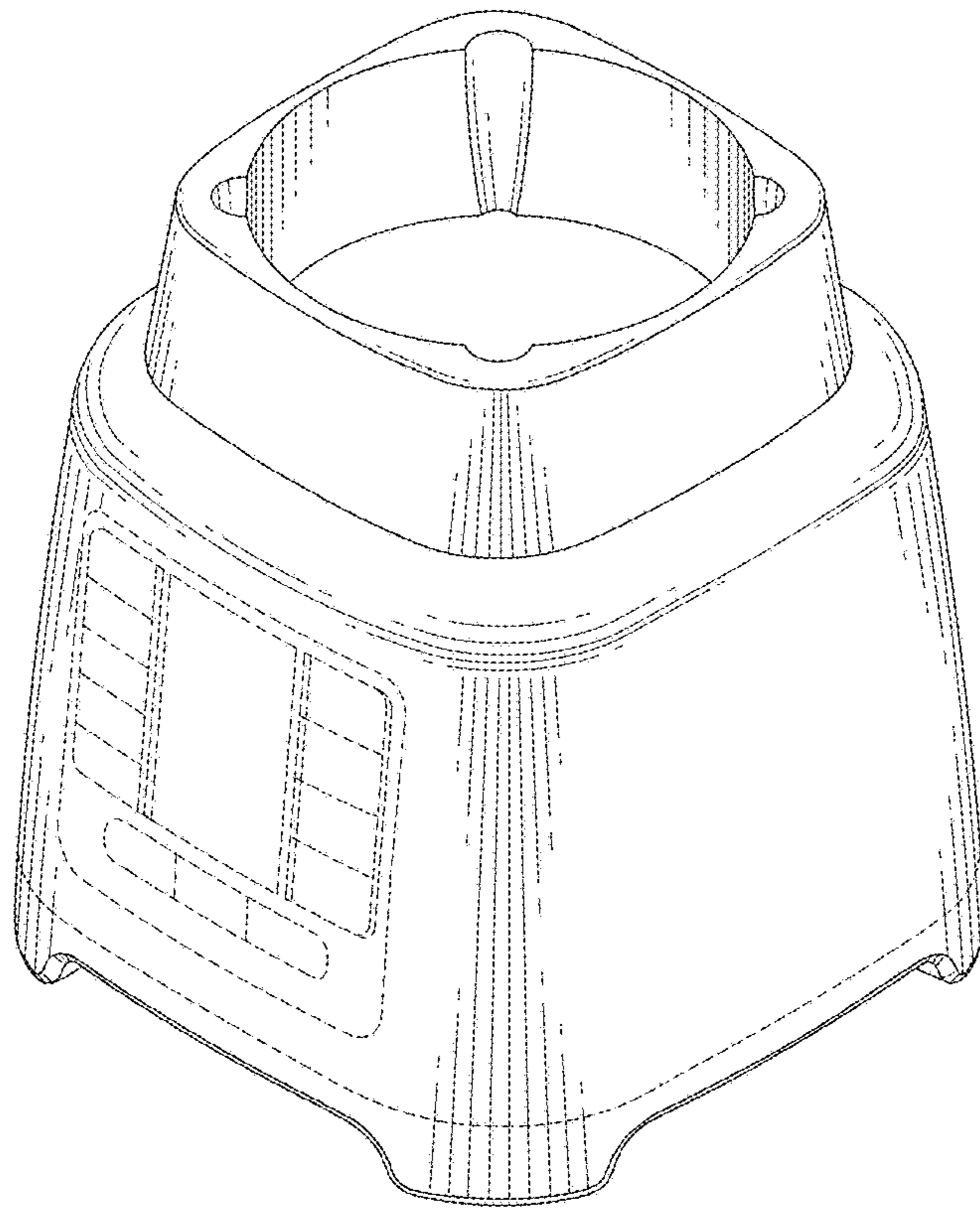


FIG. 3

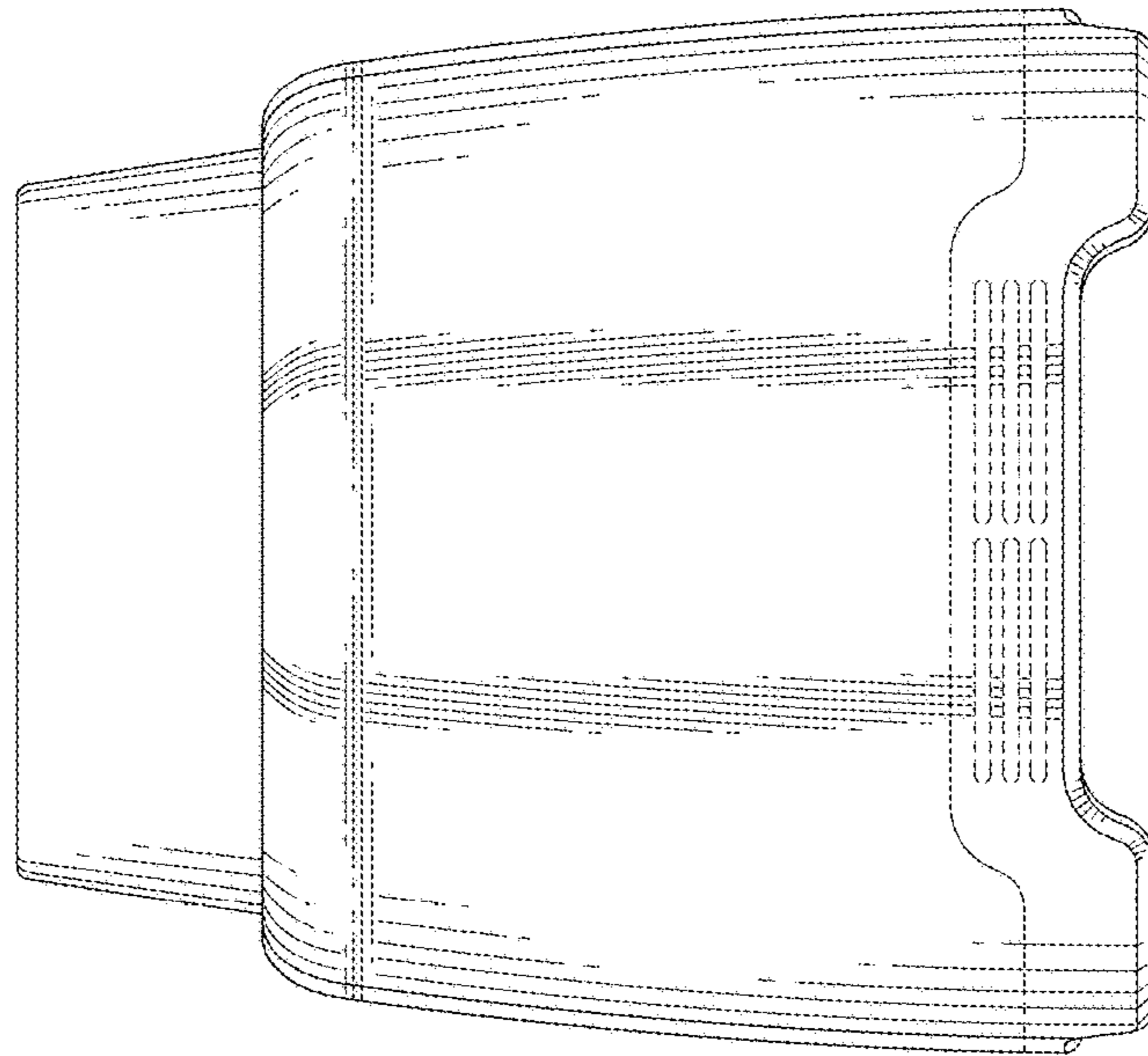


FIG. 2

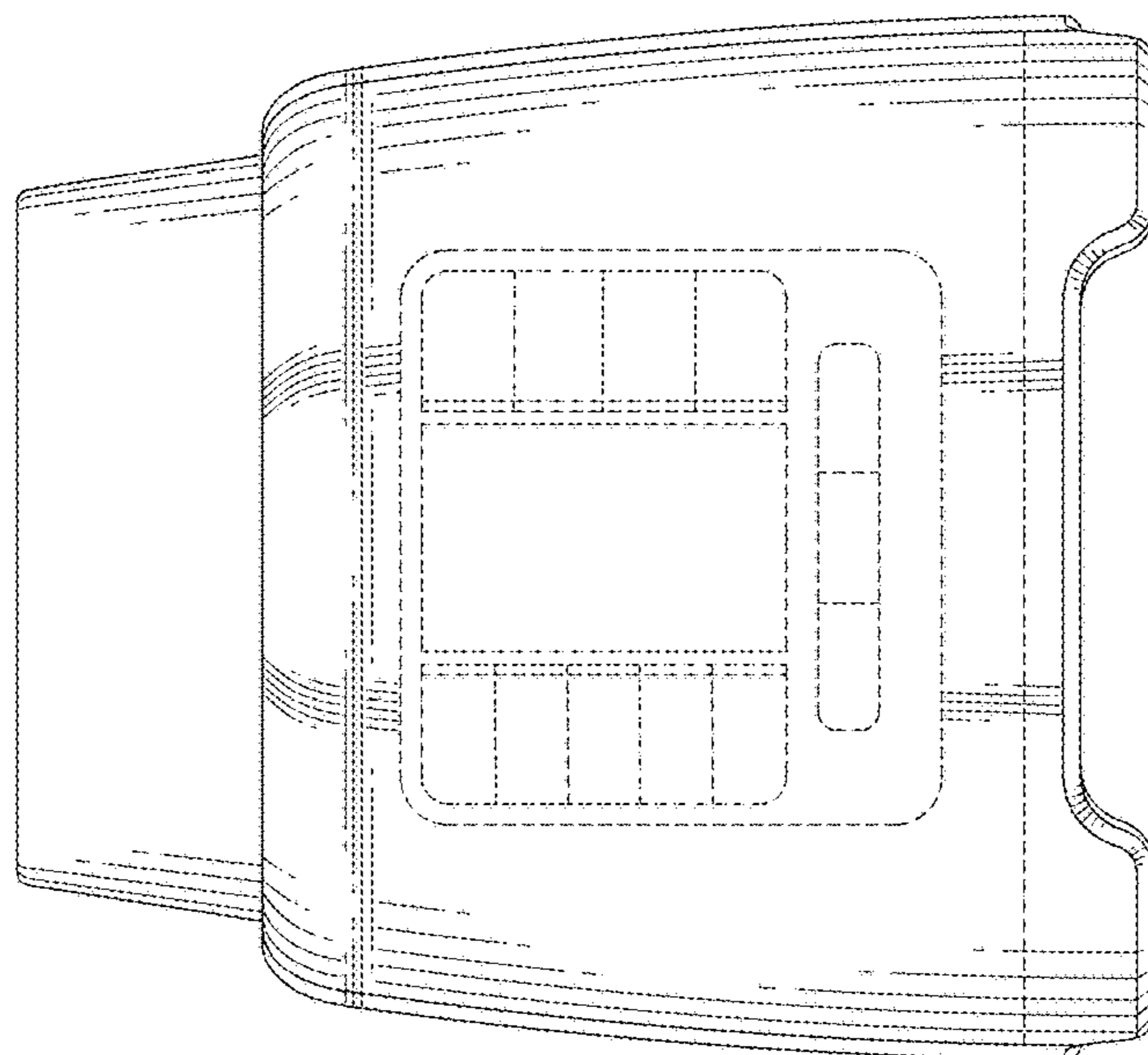


FIG. 5

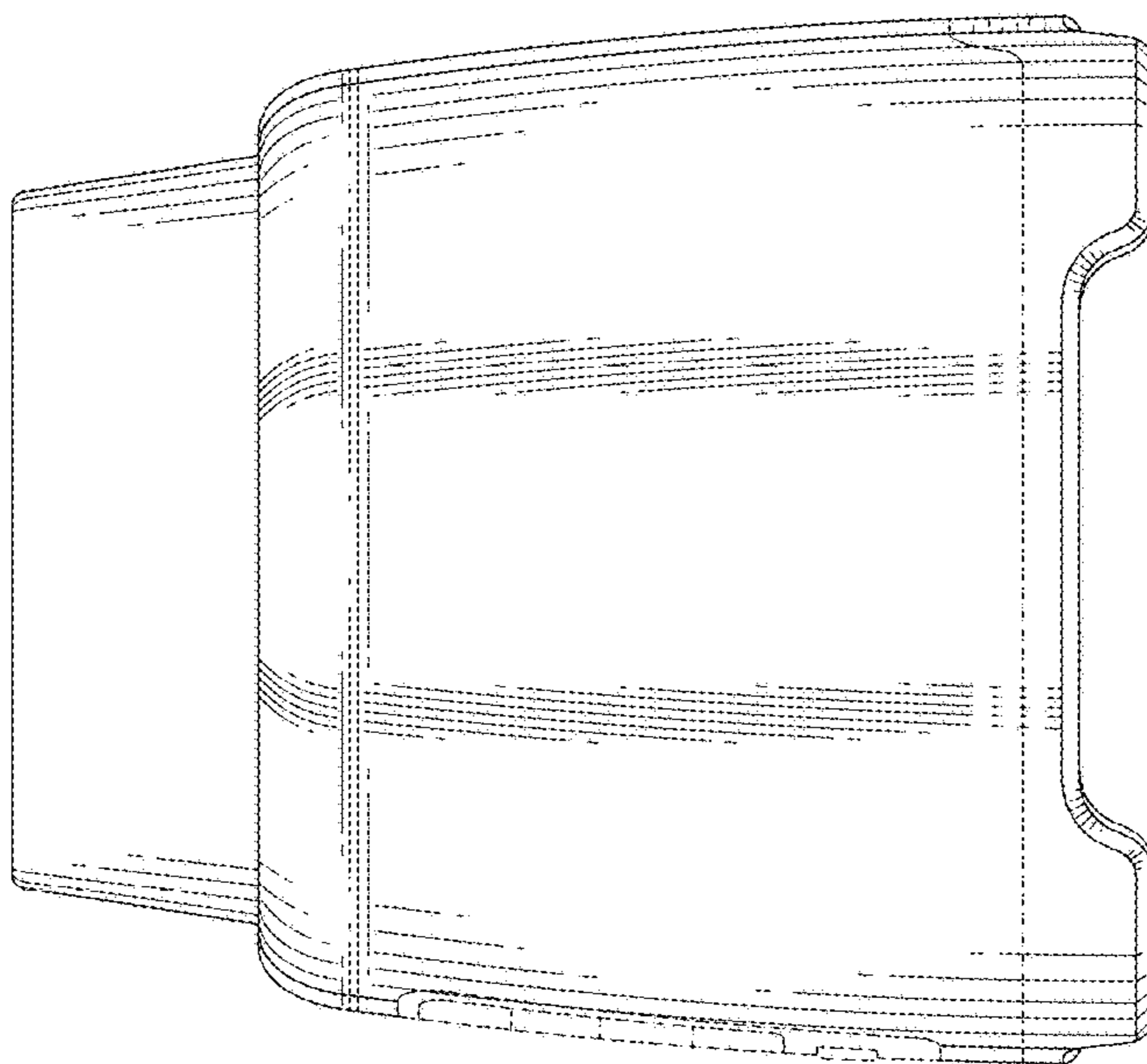


FIG. 4

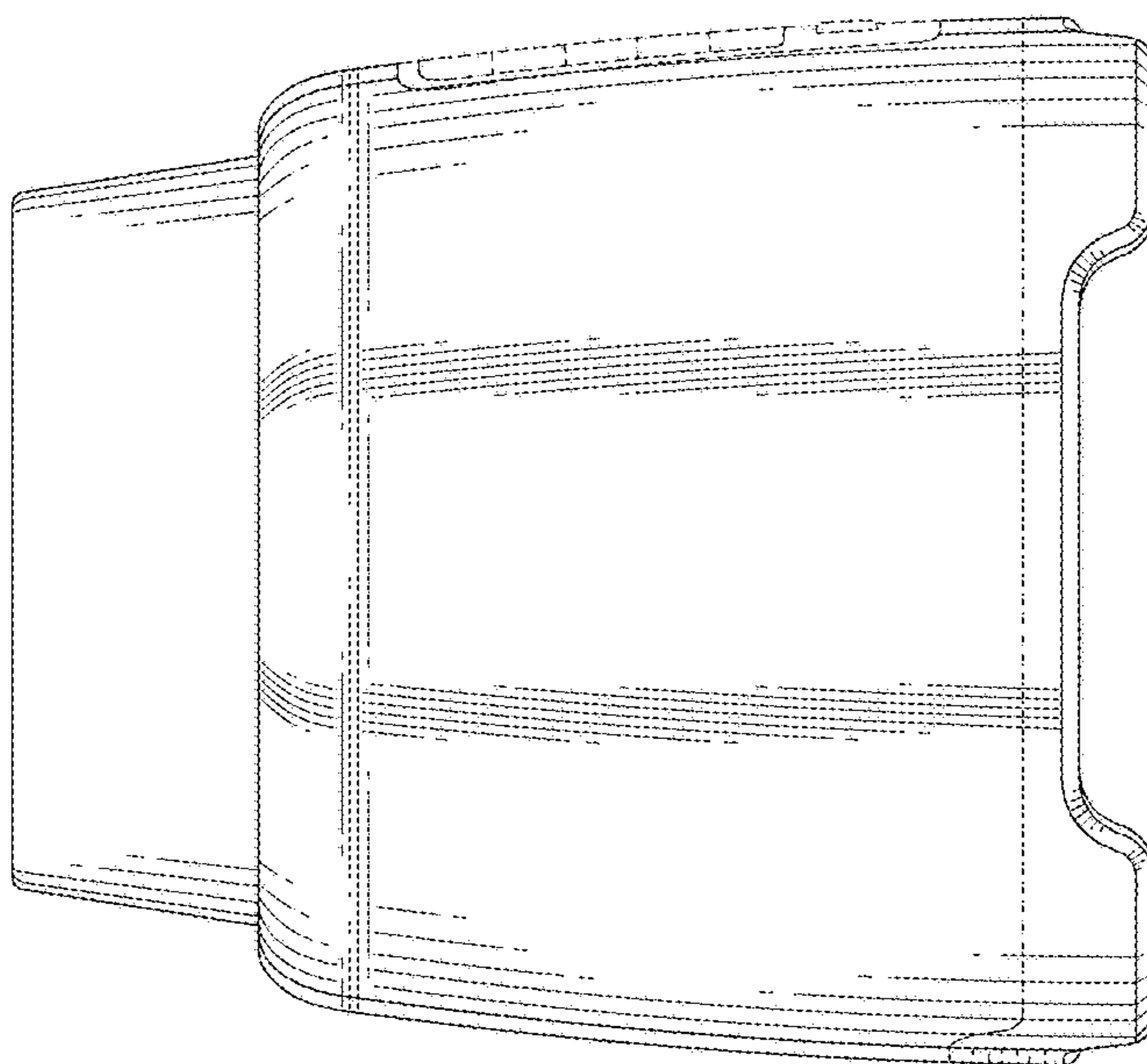


FIG. 6

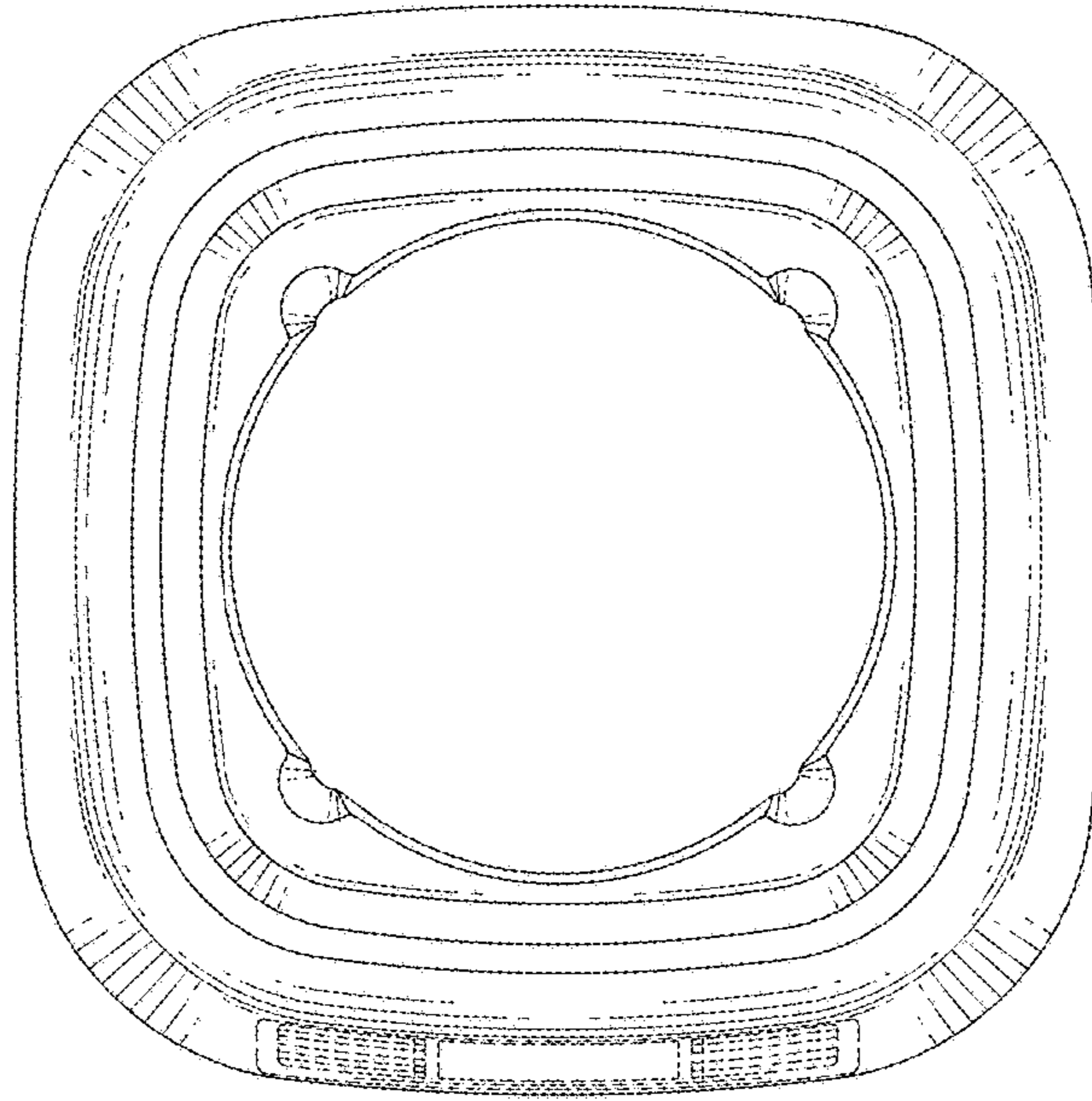


FIG. 7

