



US00D844372S

(12) **United States Design Patent** (10) **Patent No.:** **US D844,372 S**  
**DeLeo et al.** (45) **Date of Patent:** **\*\* Apr. 2, 2019**

(54) **APPLIANCE BASE**

(56) **References Cited**

(71) Applicant: **Sunbeam Products, Inc.**, Boca Raton, FL (US)

U.S. PATENT DOCUMENTS

(72) Inventors: **Anthony DeLeo**, Portage, MI (US);  
**Mark Zavada**, Kalamazoo, MI (US)

D176,257 S	*	12/1955	Hill	.....	D7/378
D181,541 S	*	11/1957	Madl	.....	D7/378
D187,684 S	*	4/1960	Hauser	.....	D7/378
D200,494 S	*	3/1965	Bezark	.....	D7/378
D553,425 S	*	10/2007	Steiner	.....	D7/378
D605,461 S	*	12/2009	Picozza	.....	D7/378
D616,244 S	*	5/2010	Thai	.....	D7/378
D690,152 S	*	9/2013	Palermo	.....	D7/376
D759,424 S	*	6/2016	Ou	.....	D7/376
D782,865 S	*	4/2017	Bazzicalupo	.....	D7/376
D783,340 S	*	4/2017	Palermo	.....	D7/376
D784,071 S	*	4/2017	Davies	.....	D7/376
D789,736 S	*	6/2017	Palermo	.....	D7/376

(73) Assignee: **Sunbeam Products, Inc.**, Boca Raton, FL (US)

(\*\*) Term: **15 Years**

(21) Appl. No.: **29/627,525**

\* cited by examiner

(22) Filed: **Nov. 28, 2017**

*Primary Examiner* — Ricky Pham

(51) **LOC (11) Cl.** ..... **31-00**

(52) **U.S. Cl.**  
USPC ..... **D7/386**; D7/376; D7/378

(57) **CLAIM**

The ornamental design for the appliance base, as shown and described.

(58) **Field of Classification Search**  
USPC ..... D7/372, 376–386, 412–413, 602, 629,  
D7/665–666, 669, 679, 693–694

**DESCRIPTION**

CPC .... A21C 1/02; A21C 1/04; A23N 1/00; A23N 1/02; A47J 43/04; A47J 43/25; A47J 43/27; A47J 43/042; A47J 43/044; A47J 43/046; A47J 43/075; A47J 43/0722; A47J 43/0727; B01F 3/00; B01F 3/0807; B01F 3/0853; B01F 13/0059; B01F 13/0064; B02C 1/08; B02C 2/04; B02C 4/42; B02C 4/142; B02C 4/143; B02C 4/423; B02C 13/1835; B28C 5/10; B28C 5/12; B28C 5/14; B28C 5/16

See application file for complete search history.

FIG. 1 depicts a front perspective view of an appliance base of the present disclosure;  
 FIG. 2 depicts a front view thereof;  
 FIG. 3 depicts a rear view thereof;  
 FIG. 4 depicts a right side view thereof;  
 FIG. 5 depicts a left side view thereof;  
 FIG. 6 depicts a top view thereof; and,  
 FIG. 7 depicts a bottom view thereof.  
 The broken lines in the drawings depict portions of the appliance base that form no part of the claimed design.

**1 Claim, 4 Drawing Sheets**

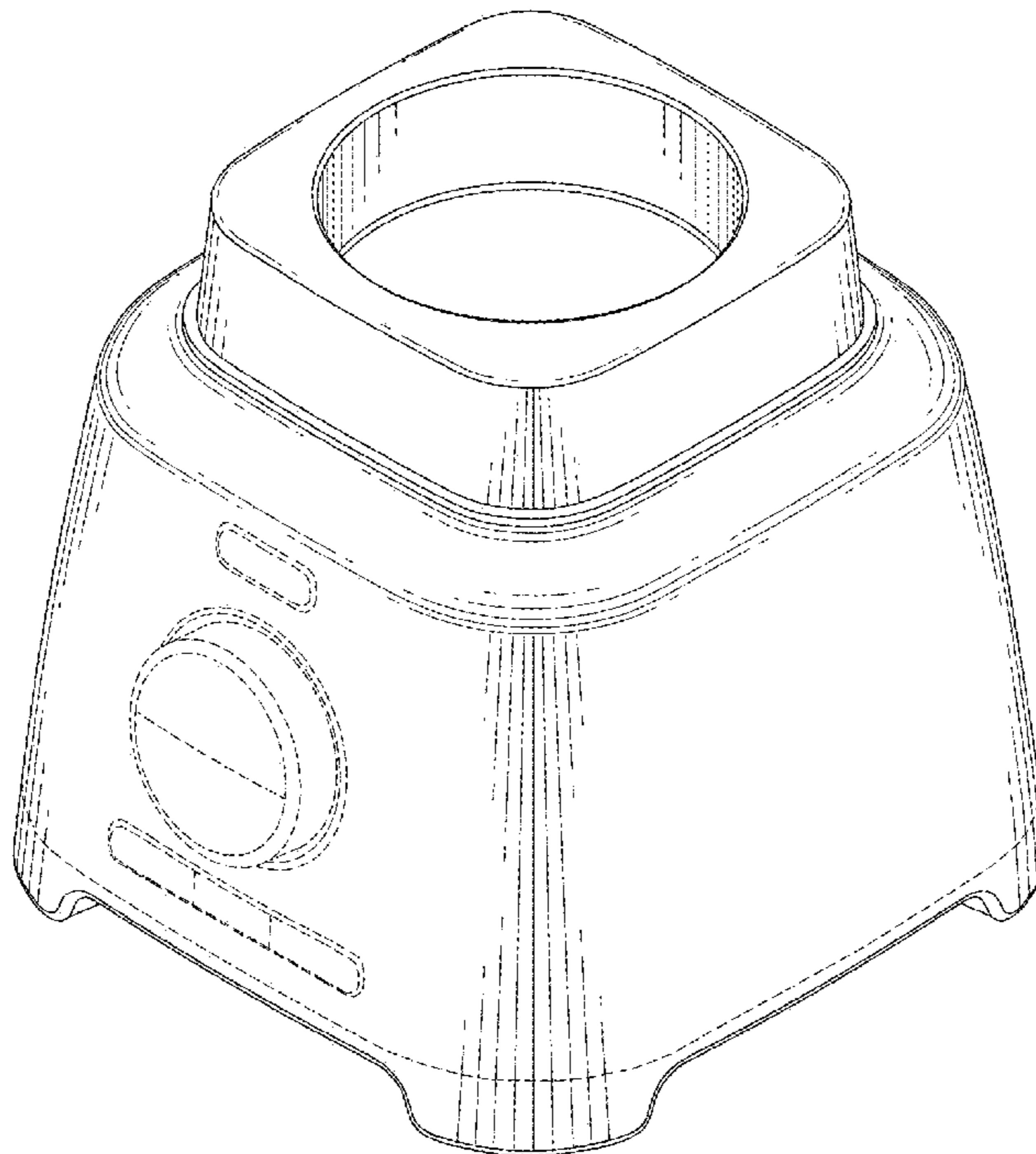


FIG. 1

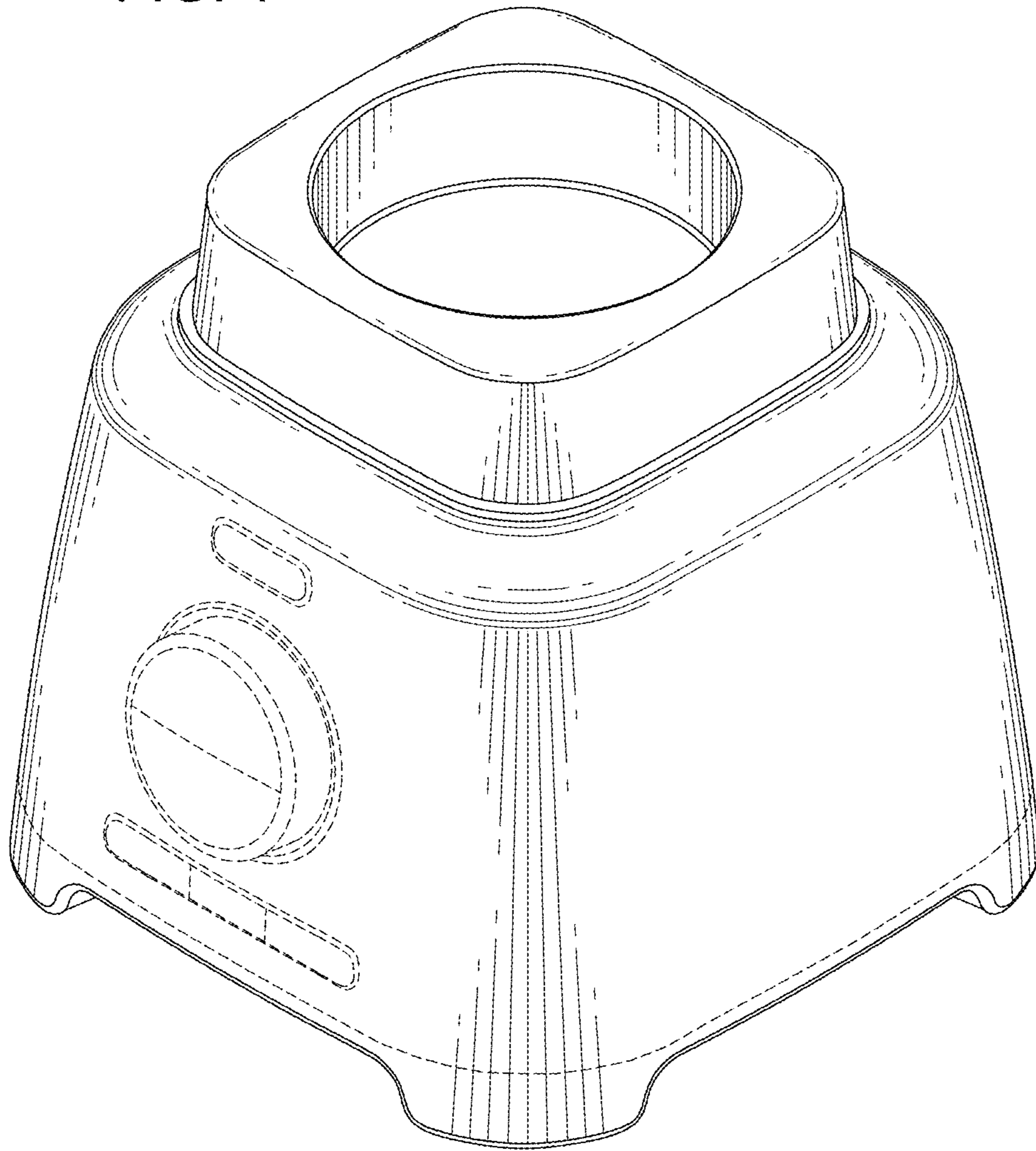


FIG. 3

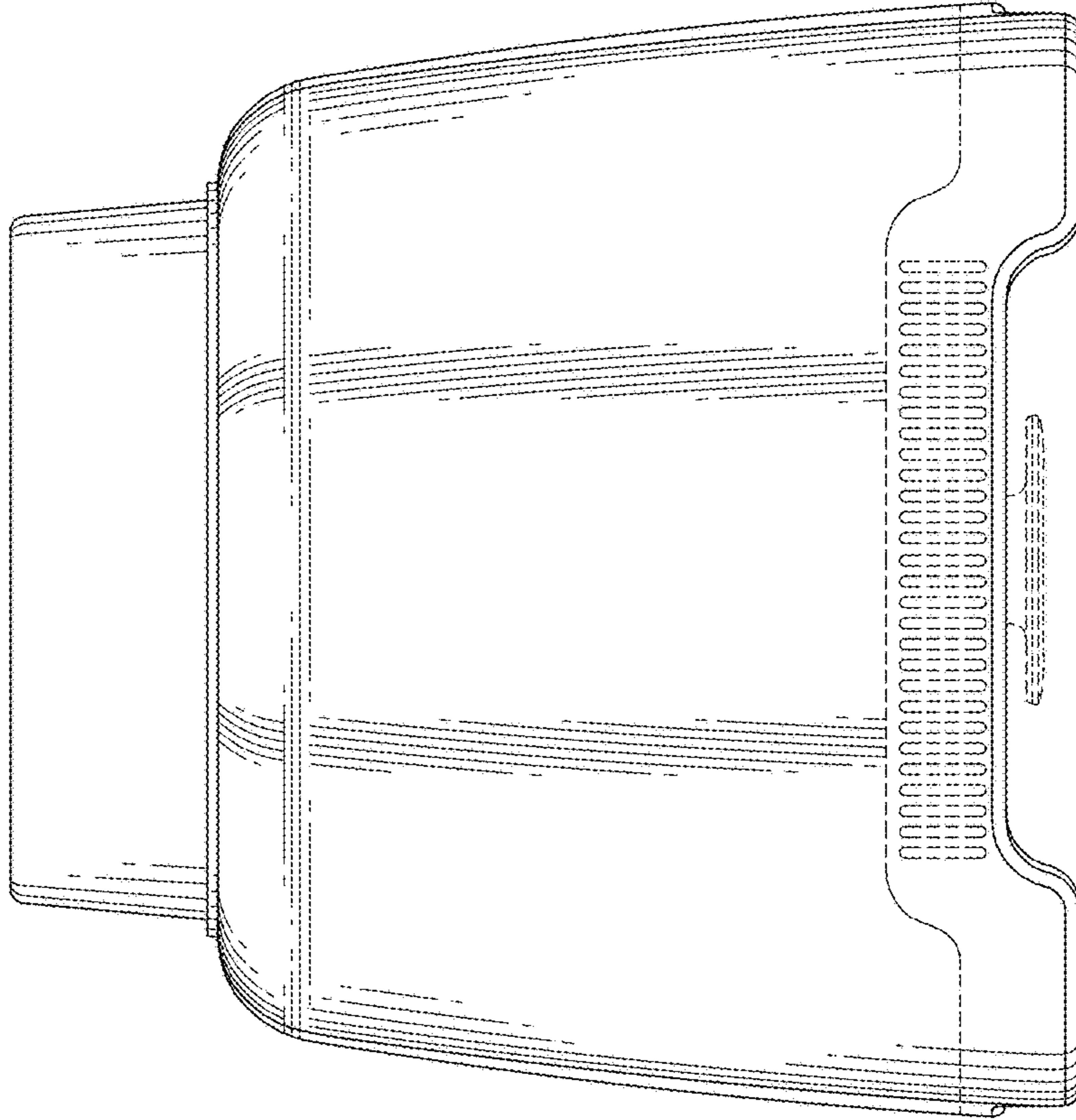


FIG. 2

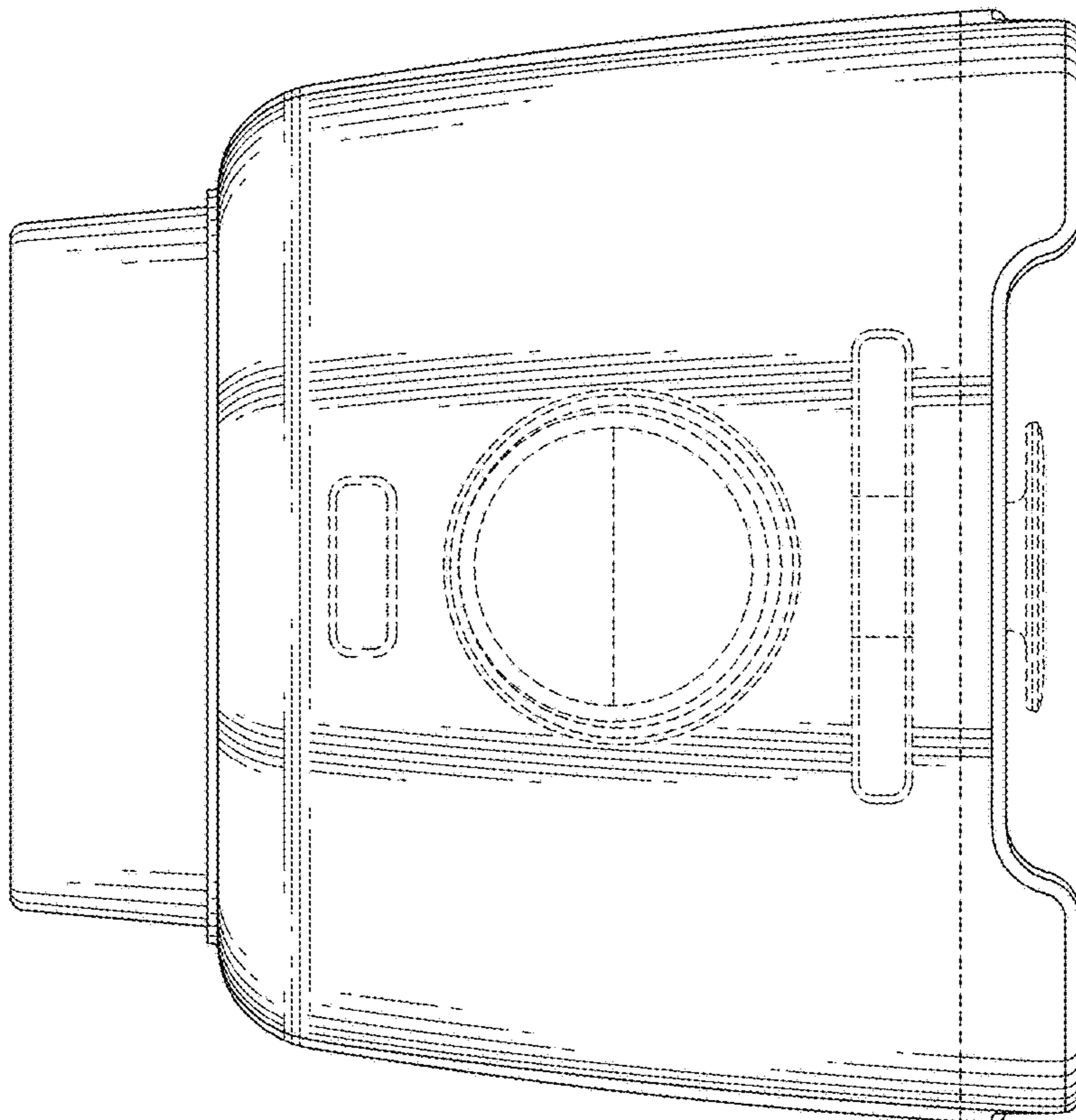




FIG. 5

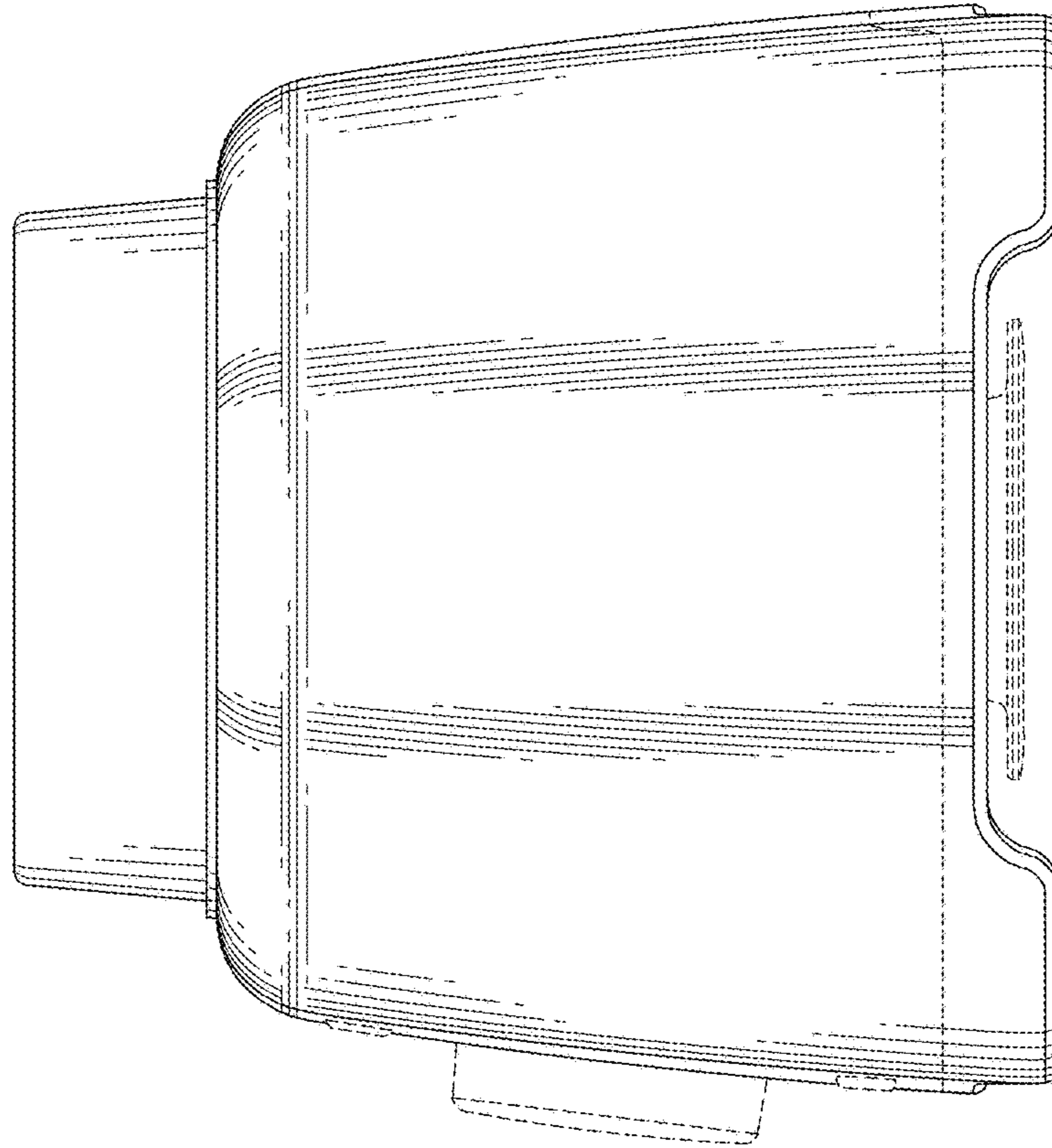


FIG. 4

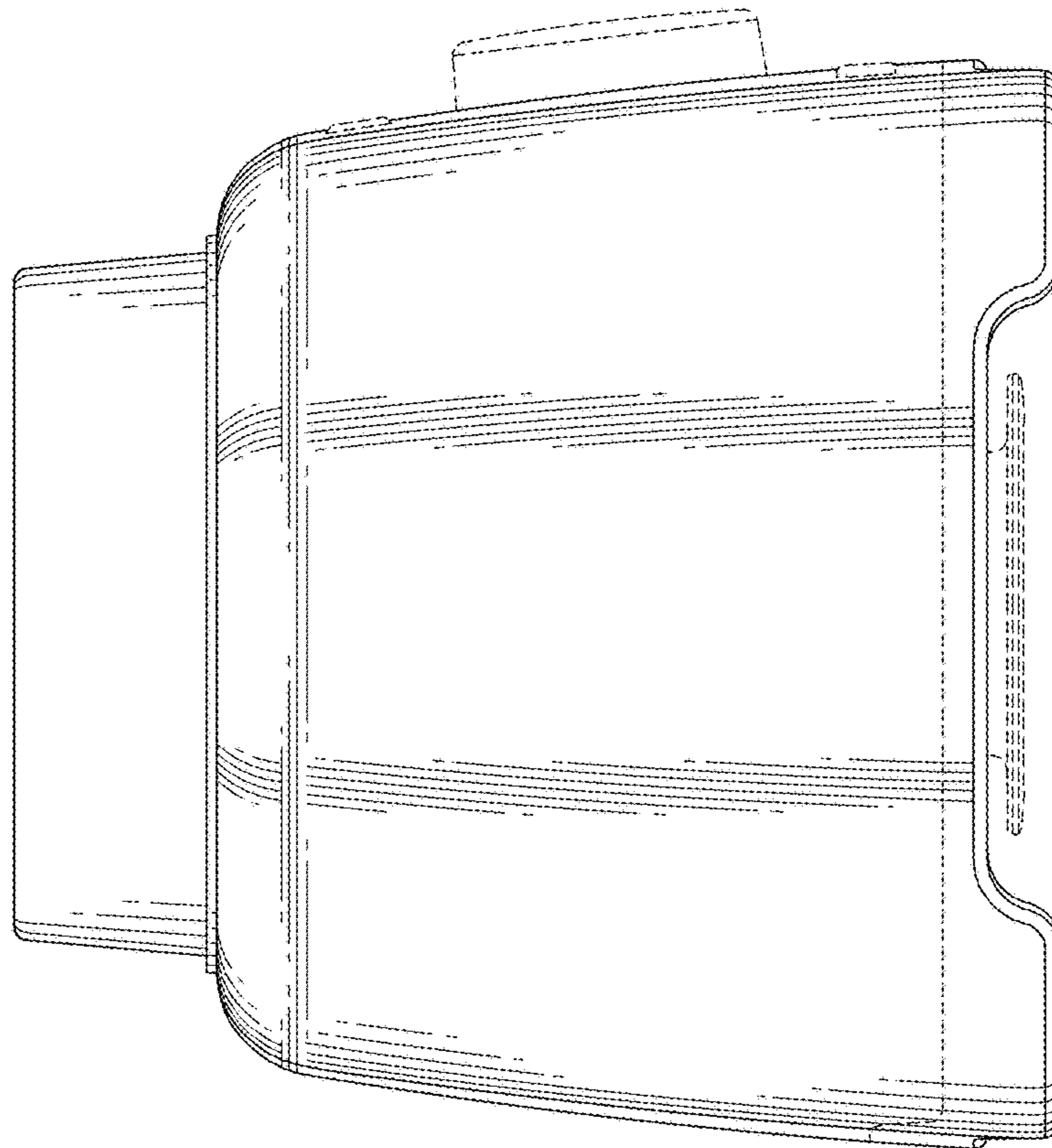


FIG. 6

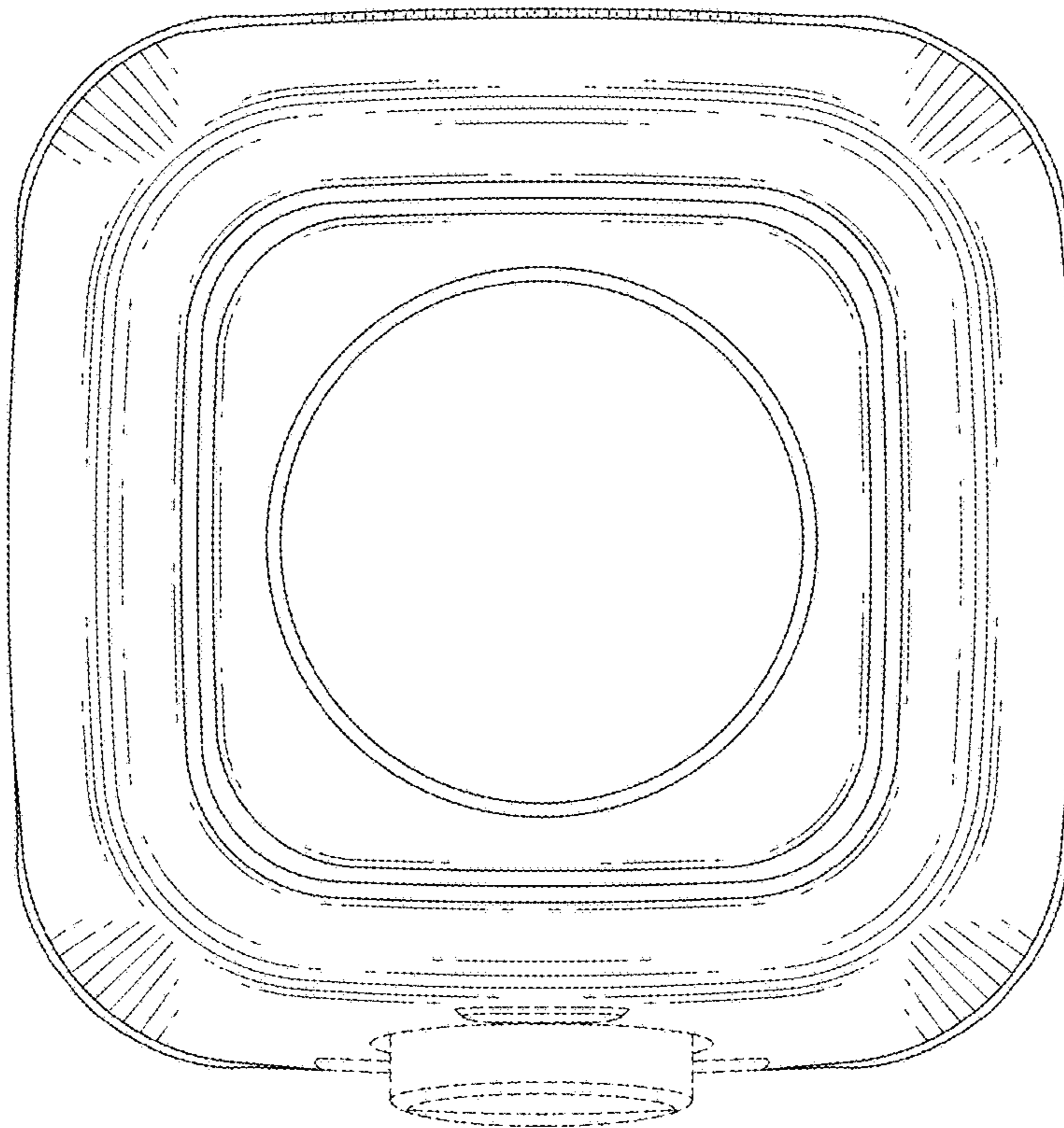


FIG. 7

