



US00D844371S

(12) **United States Design Patent**  
**Chalk et al.**

(10) **Patent No.:** **US D844,371 S**

(45) **Date of Patent:** **\*\* Apr. 2, 2019**

(54) **APPLIANCE BASE**

(71) Applicant: **Breville Pty Limited**, Alexandria (AU)

(72) Inventors: **Simon James Chalk**, Redfern (AU);  
**Richard Hoare**, Lane Cove (AU)

(73) Assignee: **Breville Pty Limited**, Alexandria (AU)

(\*\*) Term: **15 Years**

(21) Appl. No.: **29/625,538**

(22) Filed: **Nov. 10, 2017**

(30) **Foreign Application Priority Data**

May 11, 2017 (AU) ..... 201712814

(51) **LOC (11) Cl.** ..... **31-00**

(52) **U.S. Cl.**  
USPC ..... **D7/386**; D7/376; D7/378

(58) **Field of Classification Search**  
USPC ..... D7/372, 376-386, 412-413, 602, 629,  
D7/665-666, 669, 679, 693-694;  
D24/217

CPC .... A21C 1/02; A21C 1/04; A23N 1/00; A23N  
1/02; A47J 43/04; A47J 43/25; A47J  
43/27; A47J 43/042; A47J 43/044; A47J  
43/046; A47J 43/075; A47J 43/0722;  
A47J 43/0727; B01F 3/00; B01F 3/0807;  
B01F 3/0853; B01F 13/0059; B01F  
13/0064; B02C 1/08; B02C 2/04; B02C  
4/42; B02C 4/142; B02C 4/143; B02C  
4/423; B02C 13/1835; B28C 5/10; B28C  
5/12; B28C 5/14; B28C 5/16

See application file for complete search history.

(56) **References Cited**

**U.S. PATENT DOCUMENTS**

1,480,914 A \* 1/1924 Poplawski ..... A47J 43/046  
366/314  
3,064,949 A \* 11/1962 Dewenter ..... A47J 43/046  
241/195

D519,314 S \* 4/2006 Blaise ..... D7/378  
D550,506 S \* 9/2007 Spitzer ..... D7/412  
D553,426 S \* 10/2007 Lin ..... D7/378  
D622,859 S \* 8/2010 Feller ..... D24/217  
D630,467 S \* 1/2011 Harrod ..... D7/372  
D707,488 S \* 6/2014 Cornu ..... D7/378  
D747,915 S \* 1/2016 Kim ..... A47J 43/046  
D7/372  
D761,616 S \* 7/2016 Picozza ..... A47J 43/046  
D7/376  
D789,139 S \* 6/2017 Repac ..... D7/376  
D790,911 S \* 7/2017 Thai ..... D7/376  
D792,150 S \* 7/2017 Sun ..... D7/376

\* cited by examiner

*Primary Examiner* — Ricky Pham

(74) *Attorney, Agent, or Firm* — Moser Taboada

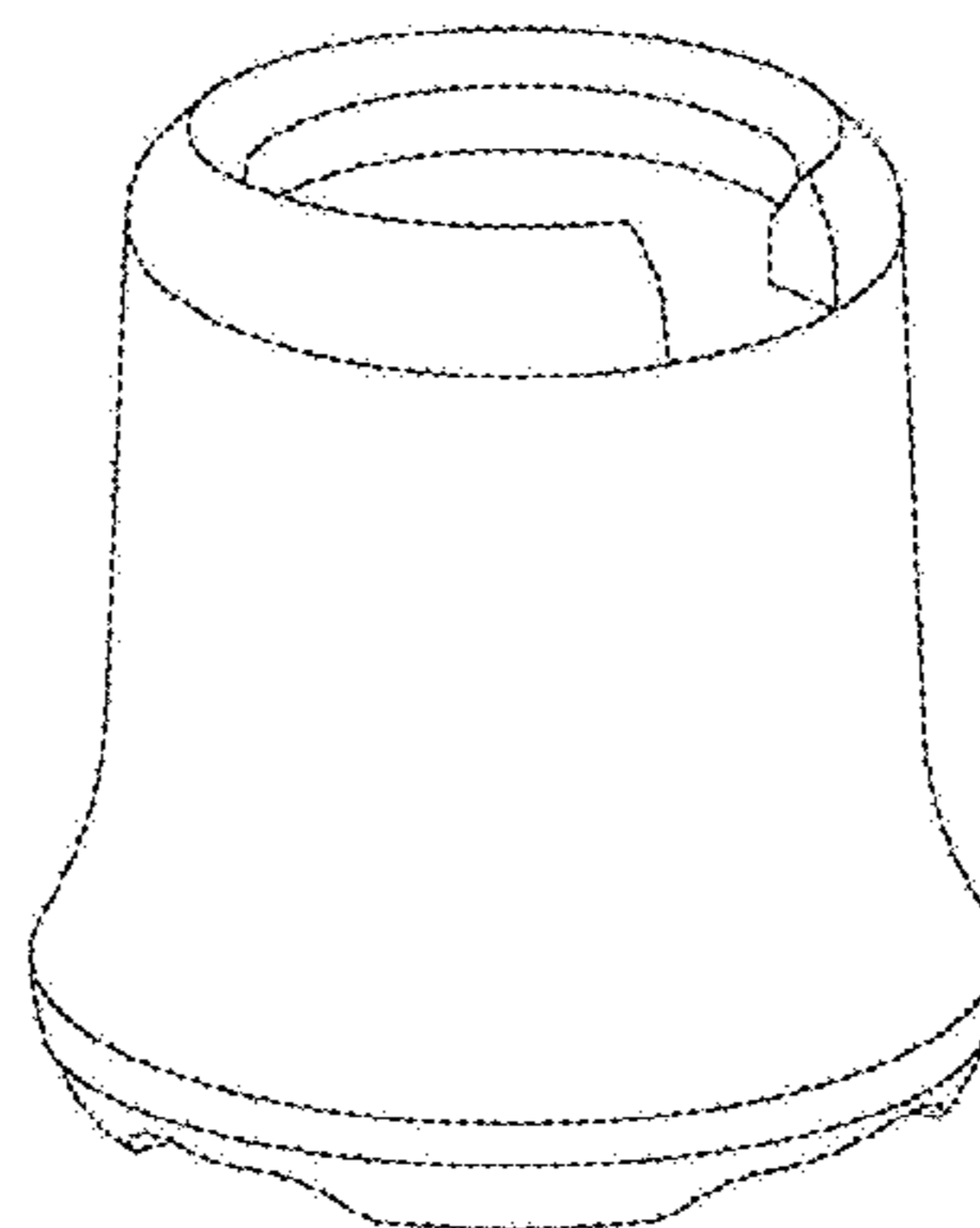
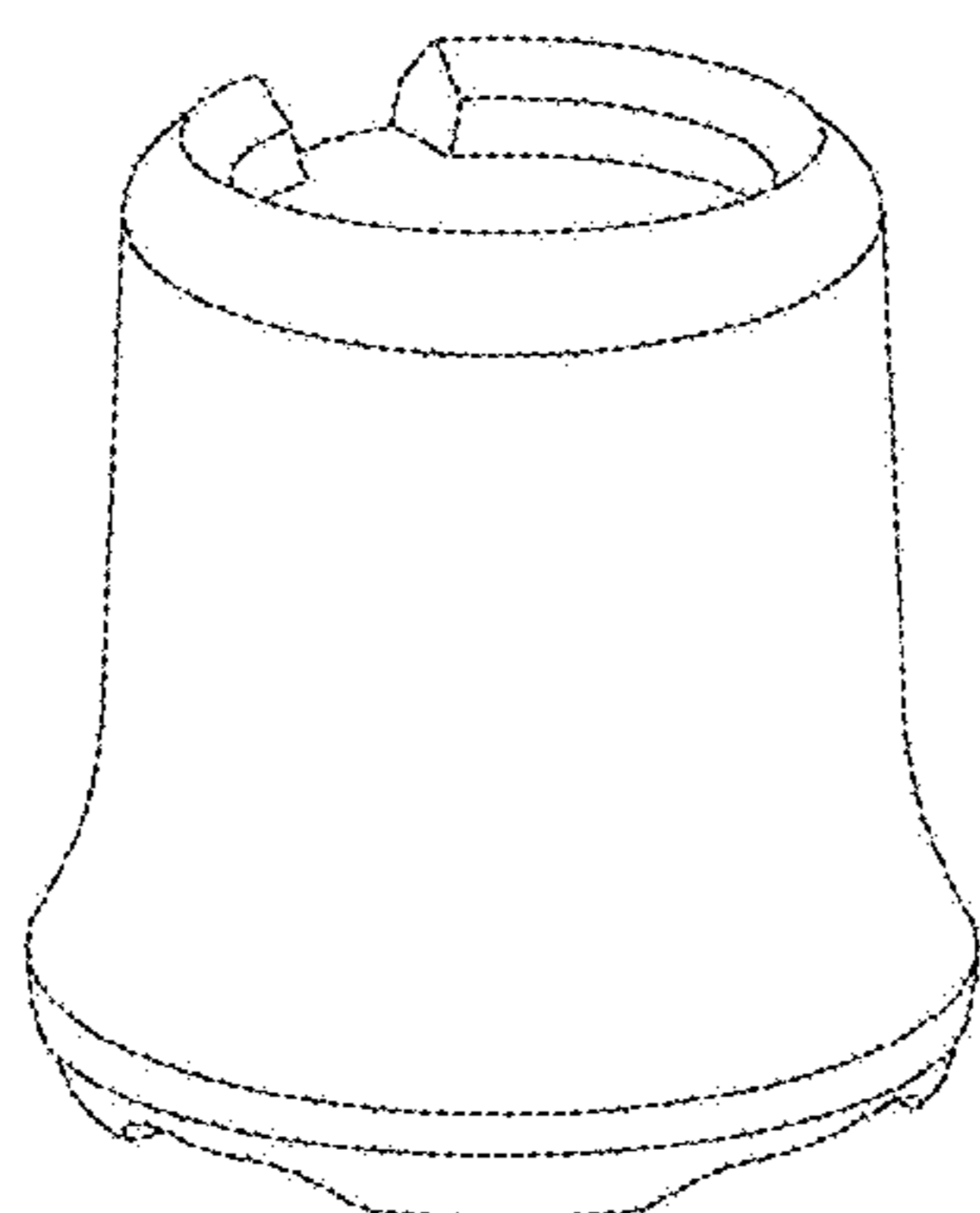
(57) **CLAIM**

The ornamental design for an appliance base, as shown and described.

**DESCRIPTION**

FIG. 1 is a front perspective view of an appliance base embodying the new design;  
FIG. 2 is a rear perspective view of the appliance base shown in FIG. 1;  
FIG. 3 is a front view of the appliance base shown in FIG. 1;  
FIG. 4 is a rear view of the appliance base shown in FIG. 1;  
FIG. 5 is a left side view of the appliance base shown in FIG. 1;  
FIG. 6 is a right side view of the appliance base shown in FIG. 1;  
FIG. 7 is a top view of the appliance base shown in FIG. 1;  
and,  
FIG. 8 is a bottom view of the appliance base shown in FIG. 1.

**1 Claim, 8 Drawing Sheets**



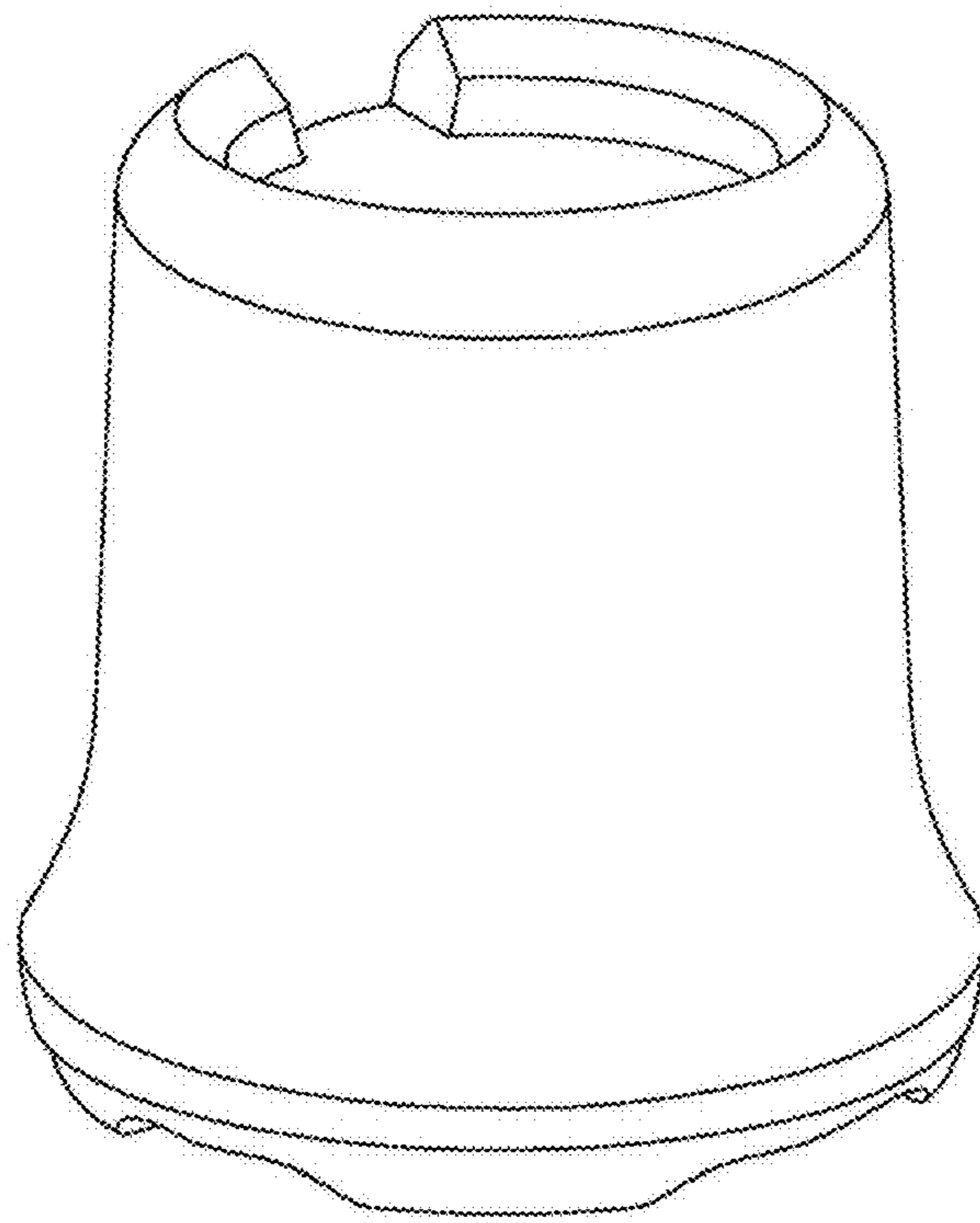


FIG. 1

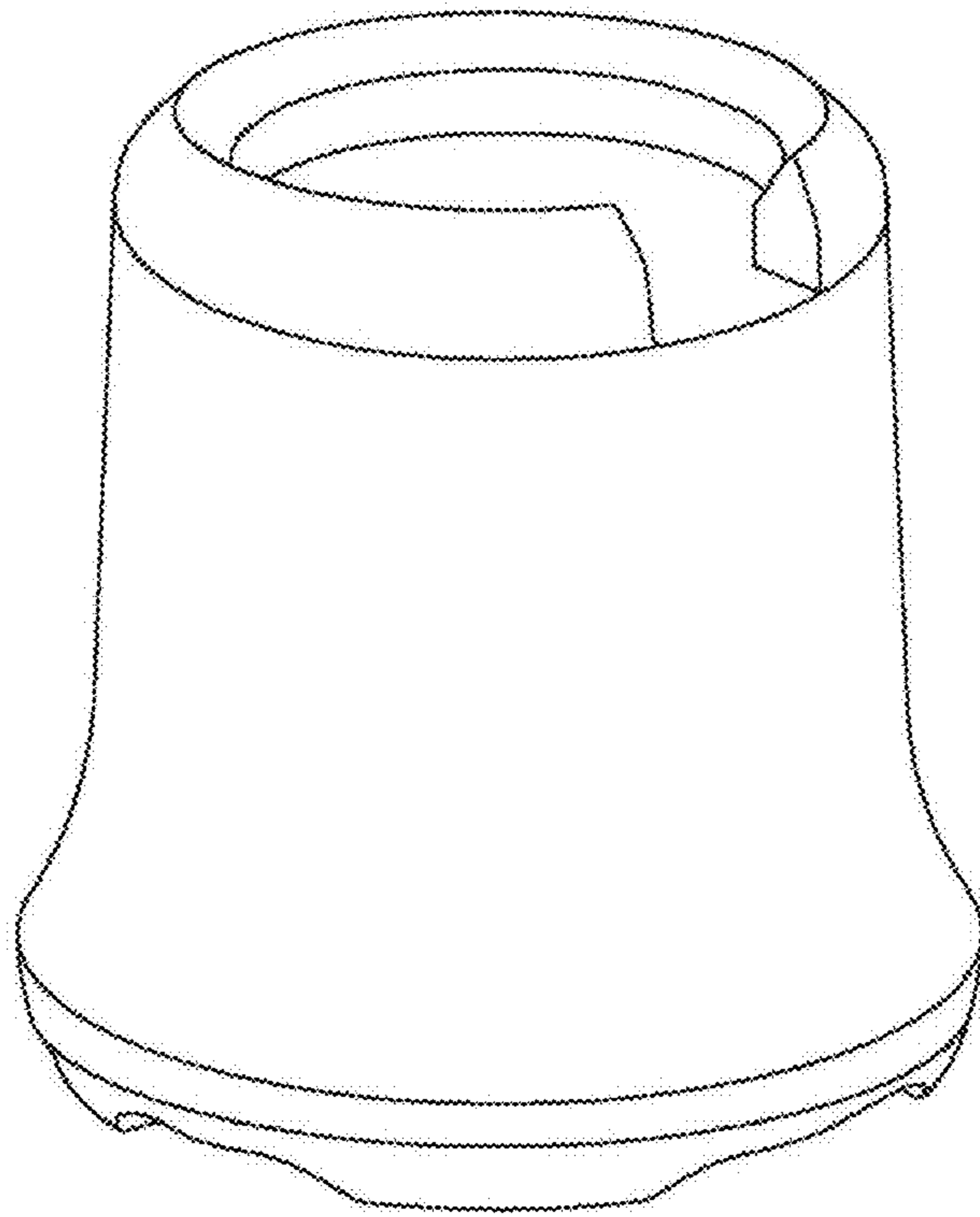


FIG. 2

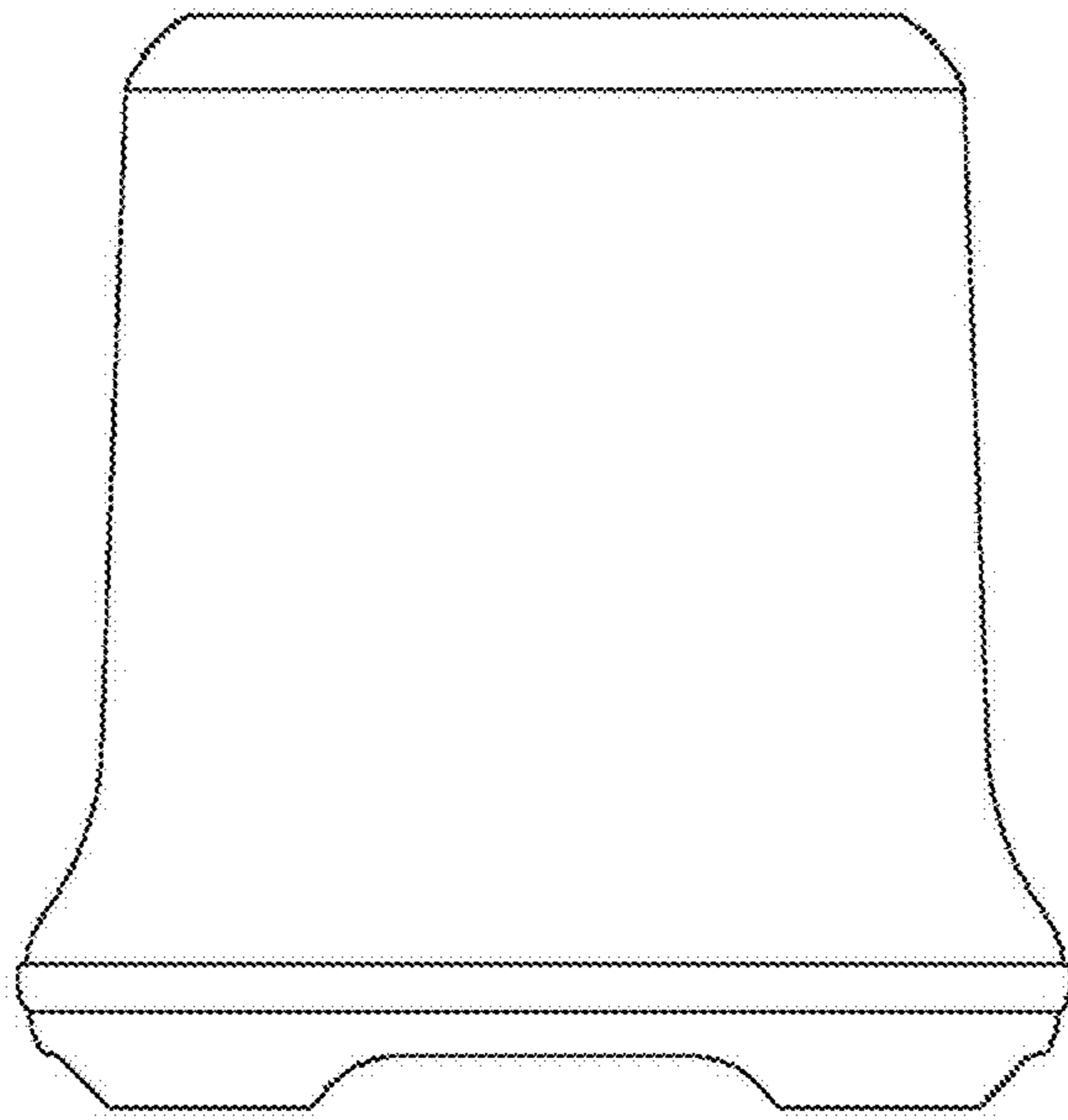


FIG. 3

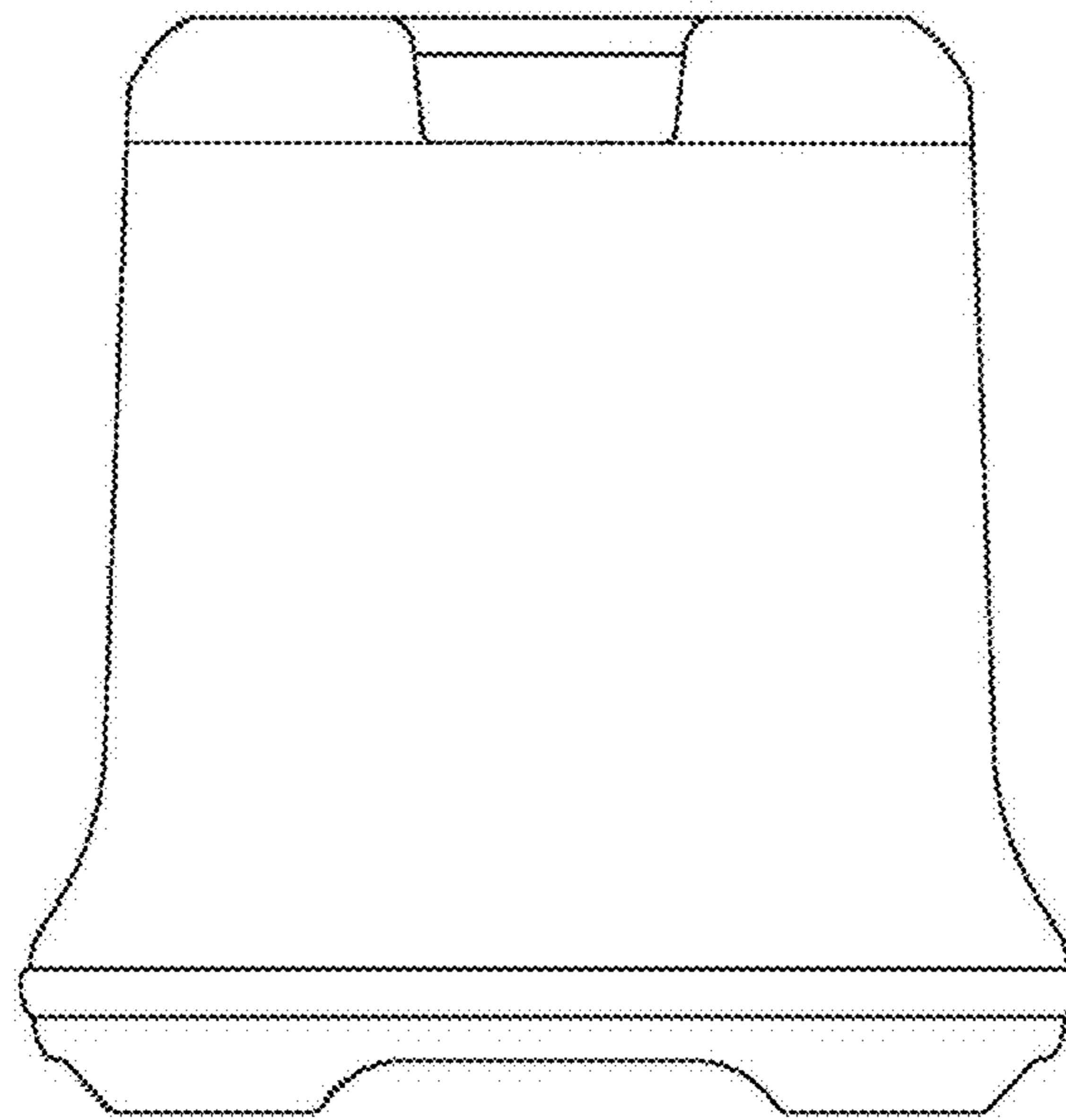


FIG. 4

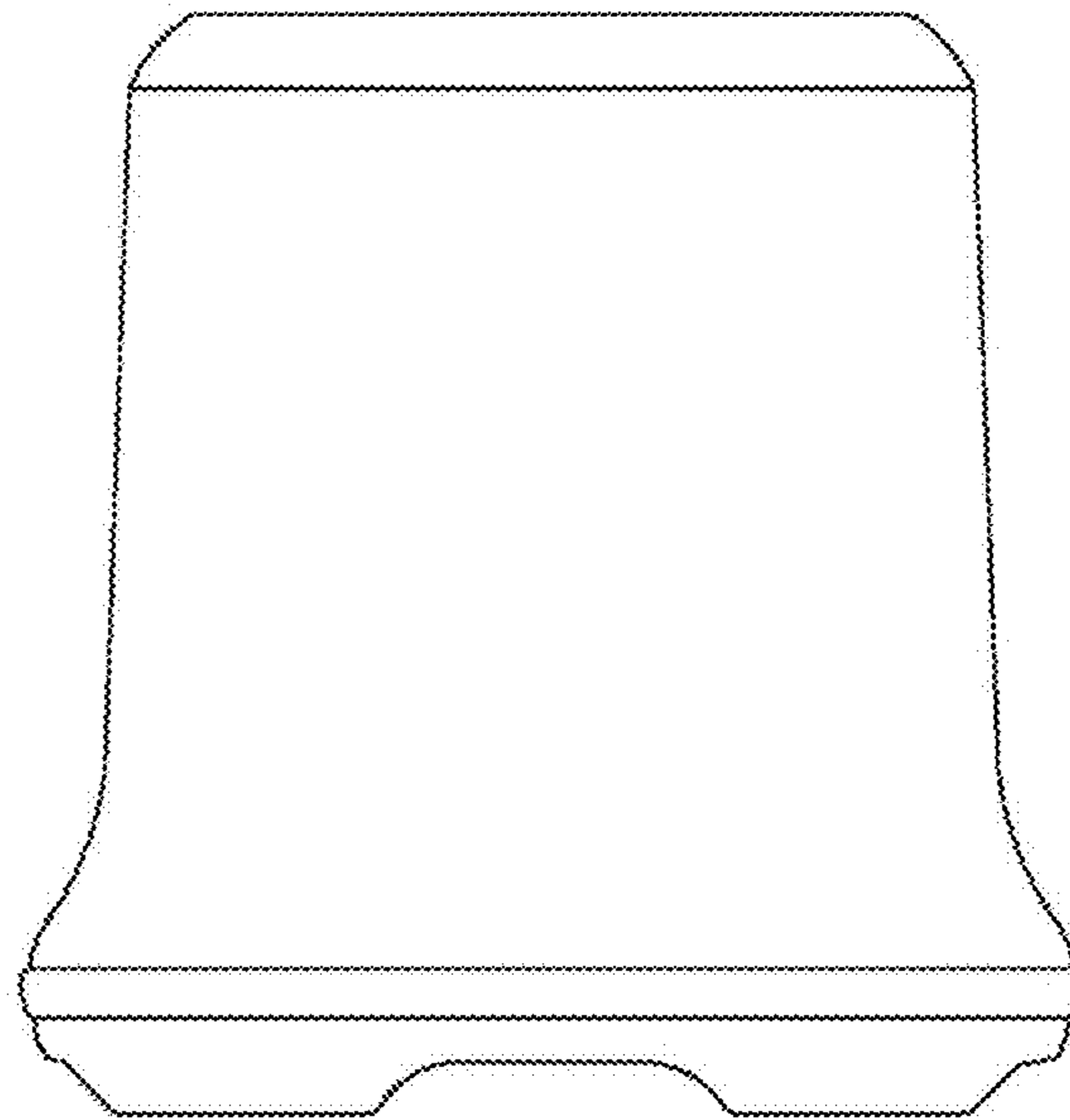


FIG. 5

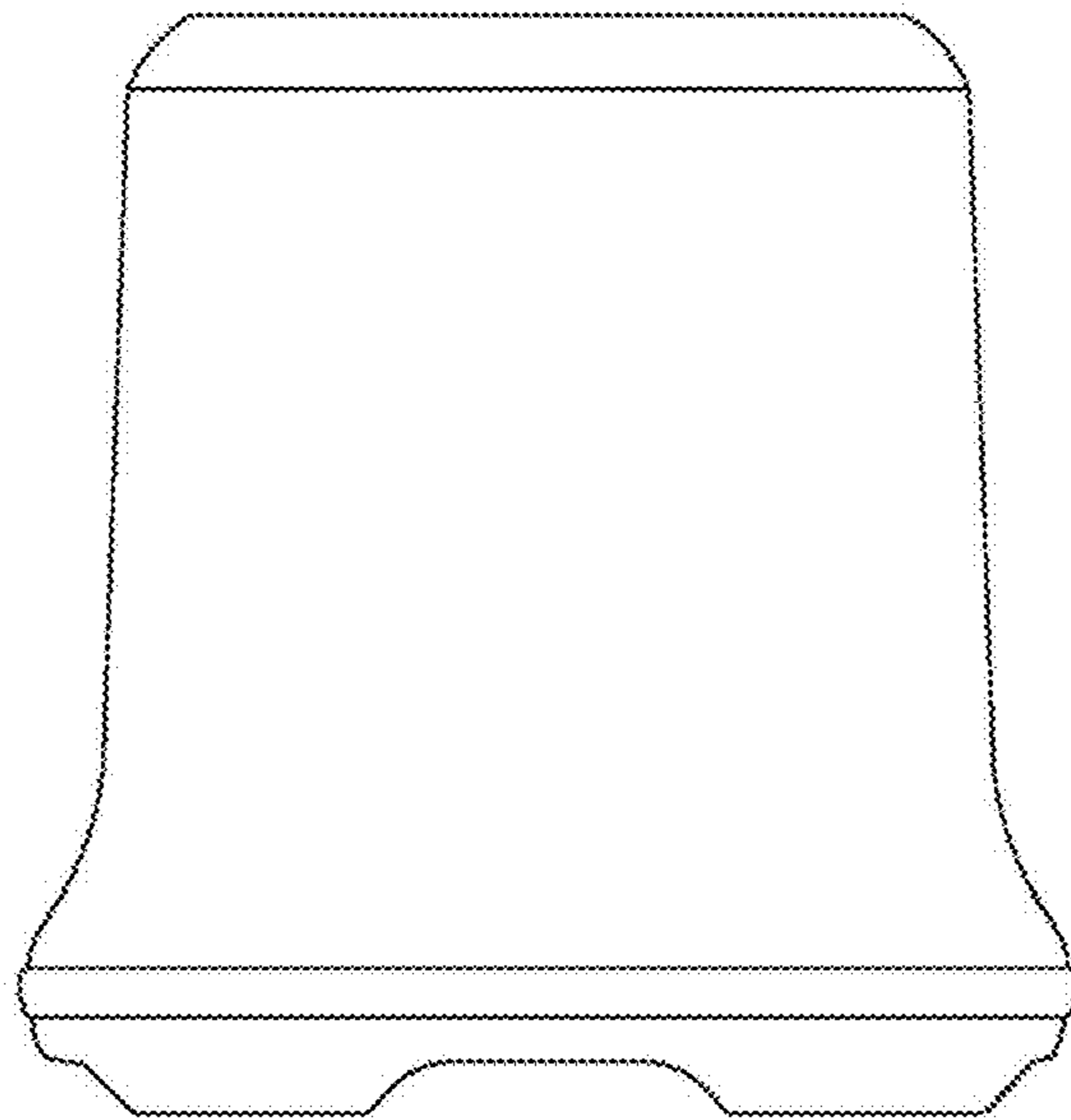


FIG. 6

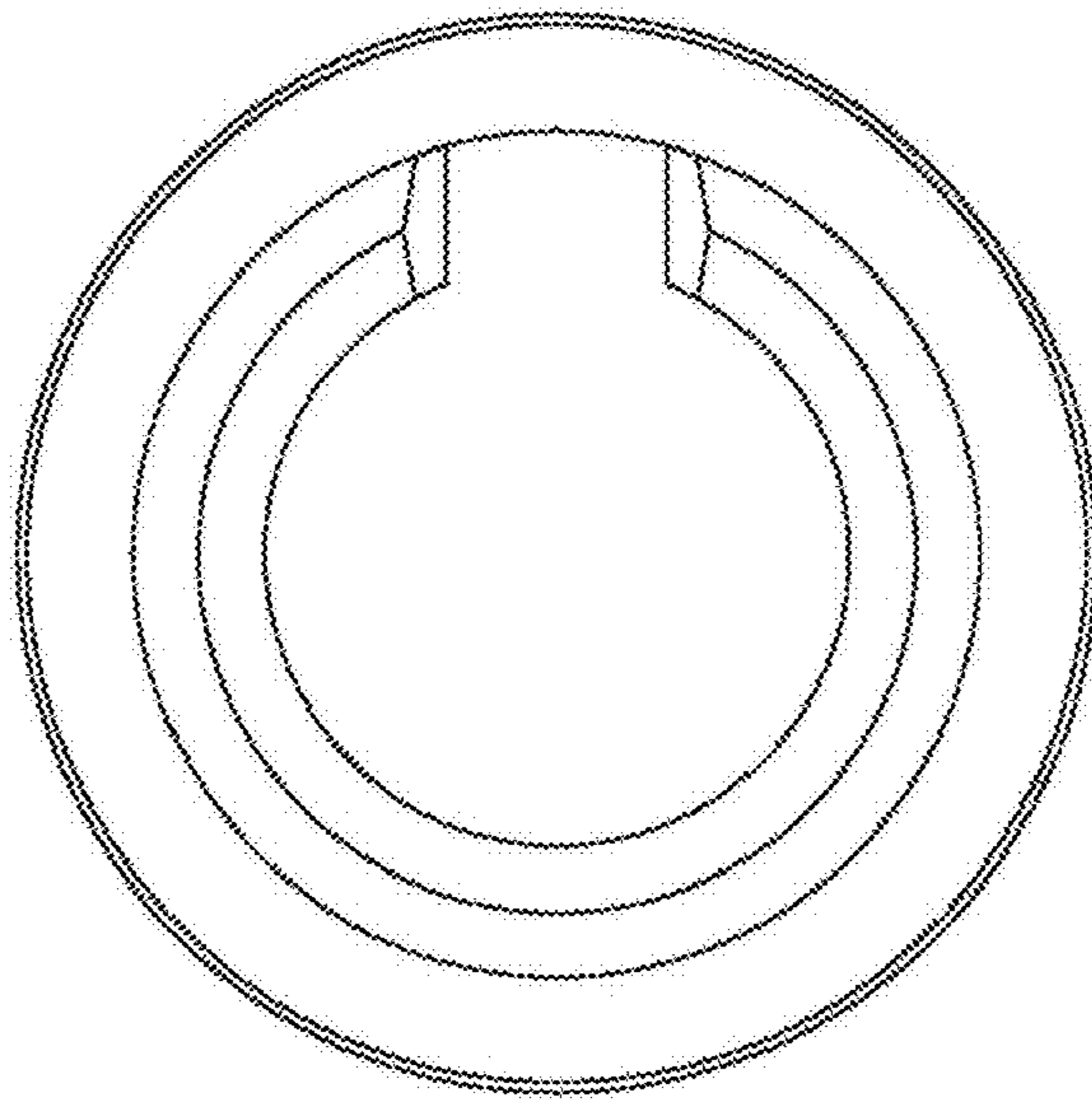


FIG. 7



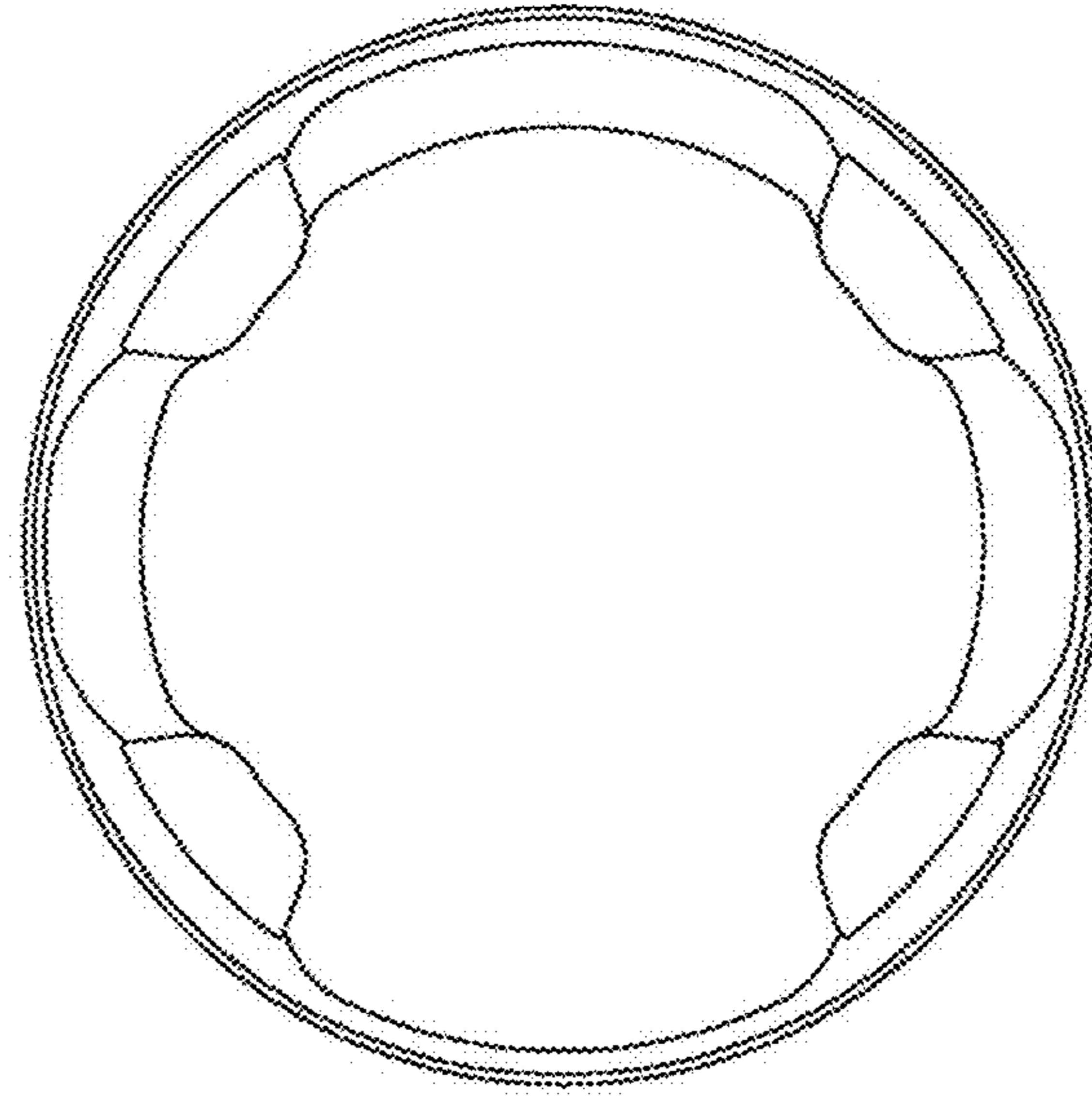


FIG. 8