



US00D844368S

(12) **United States Design Patent**
Choi et al.

(10) **Patent No.:** **US D844,368 S**
(45) **Date of Patent:** **** Apr. 2, 2019**

- (54) **ELECTRIC RICE COOKER**
- (71) Applicant: **Dayou Winia Co., Ltd.**, Asani-si (KR)
- (72) Inventors: **Young Joon Choi**, Goyang-si (KR);
Tae Hyun Kim, Seoul (KR); **Ho Gyu Lee**, Seoul (KR)
- (73) Assignee: **Dayou Winia Co., Ltd.**, Asani-si (KR)
- (**) Term: **15 Years**
- (21) Appl. No.: **29/580,573**
- (22) Filed: **Oct. 11, 2016**
- (30) **Foreign Application Priority Data**

Sep. 6, 2016 (KR) 30-2016-0043730

- (51) **LOC (11) Cl.** **07-02**
- (52) **U.S. Cl.**
USPC **D7/354**

- (58) **Field of Classification Search**
USPC D7/323, 337, 339-341, 352, 354-358,
D7/360-367, 393, 402-403, 407-411,
D7/601, 605, 629, 701, 703; D9/761
CPC A21B 1/06; A21B 1/50; A21B 1/52; A47J
37/04; A47J 37/06; A47J 37/015; A47J
37/067; A47J 37/0611; A47J 37/0629;
A47J 37/0676; A47J 37/108; F24C 7/06;
F24C 7/083; F24C 15/02; F24C 15/66;
H05B 3/20; H05B 3/40
See application file for complete search history.

(56) **References Cited**

U.S. PATENT DOCUMENTS

- 6,077,555 A * 6/2000 Dotan A47J 37/1228
426/438
- D489,223 S * 5/2004 Jung D7/354
- 6,742,444 B1 * 6/2004 Lai A47J 37/1209
219/430

- 6,807,899 B2 * 10/2004 Dirand A47J 37/1271
219/438
- D498,115 S * 11/2004 Shin D7/354
- D587,960 S * 3/2009 Kotani D7/354
- D684,807 S * 6/2013 Nakatani D7/354
(Continued)

OTHER PUBLICATIONS

Cuckoo Crp-chsn1010fs Full Stainless 2.0 Electric lh Pressure Rice Cooker, posted at Ricecooker.usinfo.biz, posted on Oct. 17, 2017, site visited Jan. 30, 2018, <http://ricecooker.usinfo.biz/tag/220v/>.*
(Continued)

Primary Examiner — Barbara Fox
Assistant Examiner — Messina L Smith
(74) *Attorney, Agent, or Firm* — NSIP Law

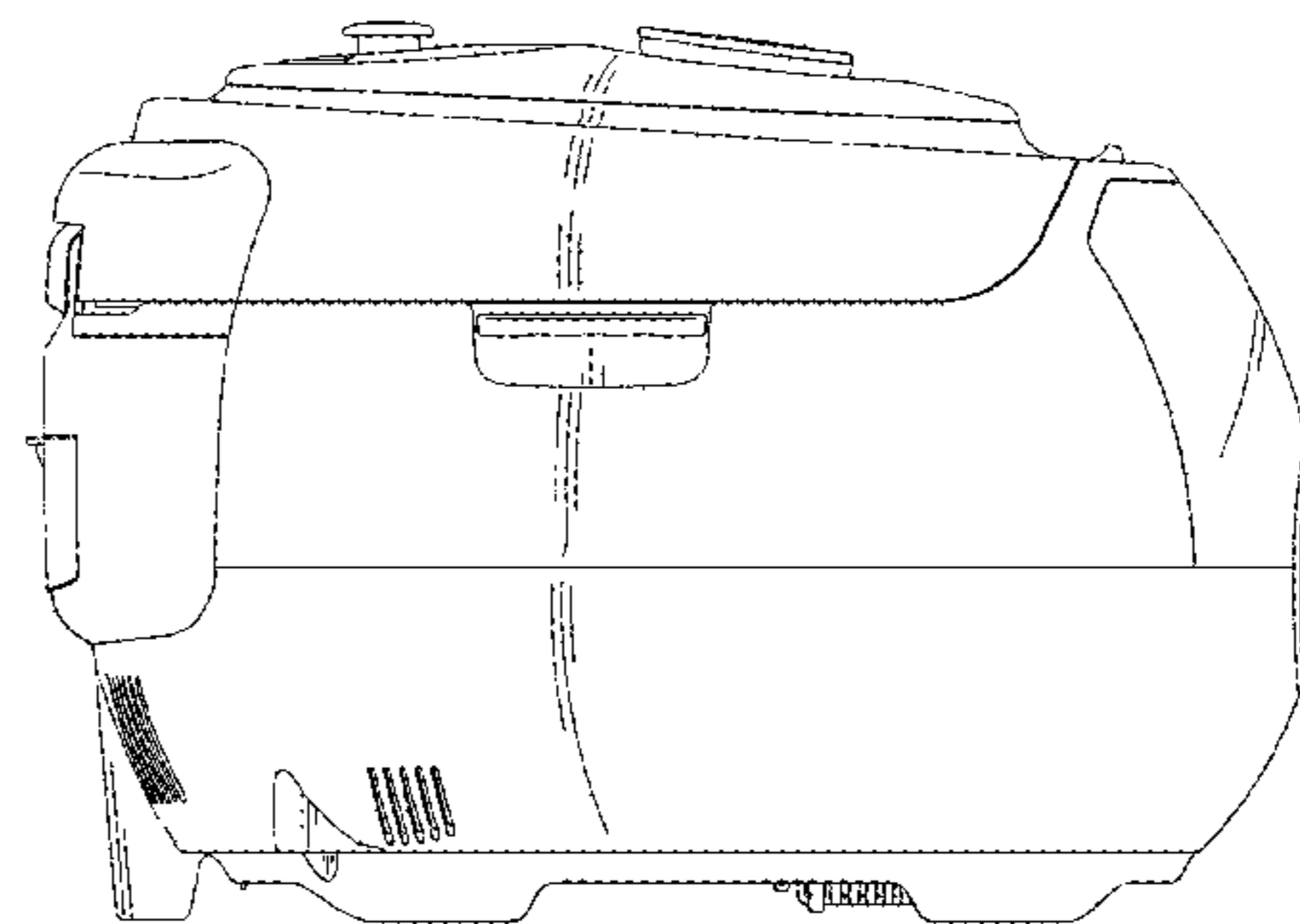
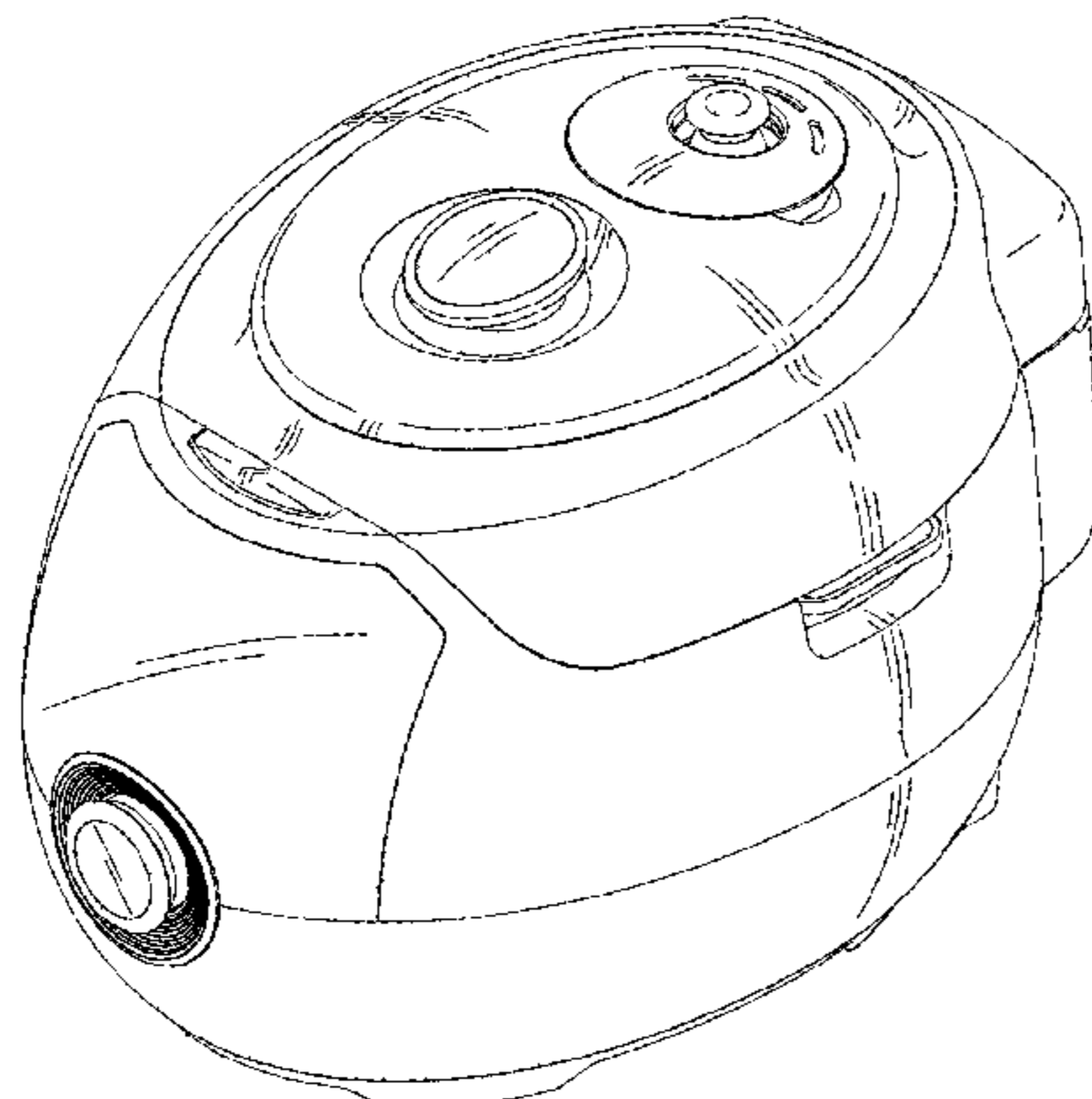
(57) **CLAIM**

The ornamental design for an electric rice cooker, as shown and described.

DESCRIPTION

FIG. 1 is a perspective view of an electric rice cooker according to the invention.
FIG. 2 is a front view of the electric rice cooker shown in FIG. 1.
FIG. 3 is a rear view of the electric rice cooker shown in FIG. 1.
FIG. 4 is a left side view of the electric rice cooker shown in FIG. 1.
FIG. 5 is a right side view of the electric rice cooker shown in FIG. 1.
FIG. 6 is a top view of the electric rice cooker shown in FIG. 1; and,
FIG. 7 is a bottom view of the electric rice cooker shown in FIG. 1.
The broken lines in the drawings depict portions of the electric rice cooker that form no part of the claimed design.

1 Claim, 7 Drawing Sheets



(56)

References Cited

U.S. PATENT DOCUMENTS

D704,500 S * 5/2014 Kim D7/354
D715,088 S * 10/2014 Kim D7/354
D803,614 S * 11/2017 Choi D7/354
2011/0003048 A1* 1/2011 Sugimoto A47J 27/004
426/509
2016/0278564 A1* 9/2016 Huang A47J 27/04

OTHER PUBLICATIONS

Dim Cook IH Electric Pressure WDCH-B1004FLH, posted at Winiamando.com, posted on Feb. 19, 2016, site visited Jan. 30, 2018, <http://www.winiamando.com/product/minutia_view.jsp?TYPE_SEQ=18&PRODUCT_SEQ=1670&STARTROW=>>.*

* cited by examiner

FIG. 1

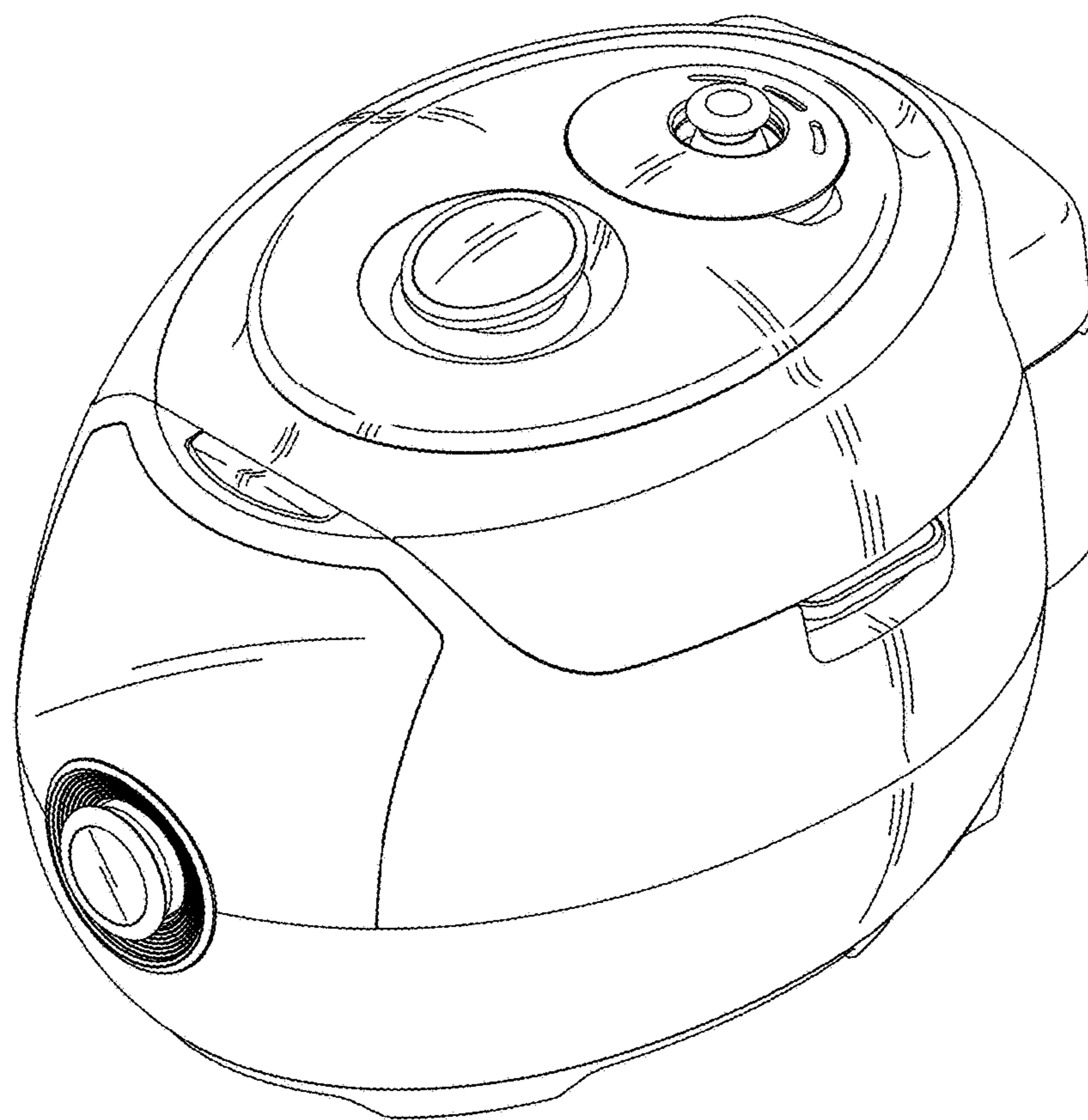


FIG. 2

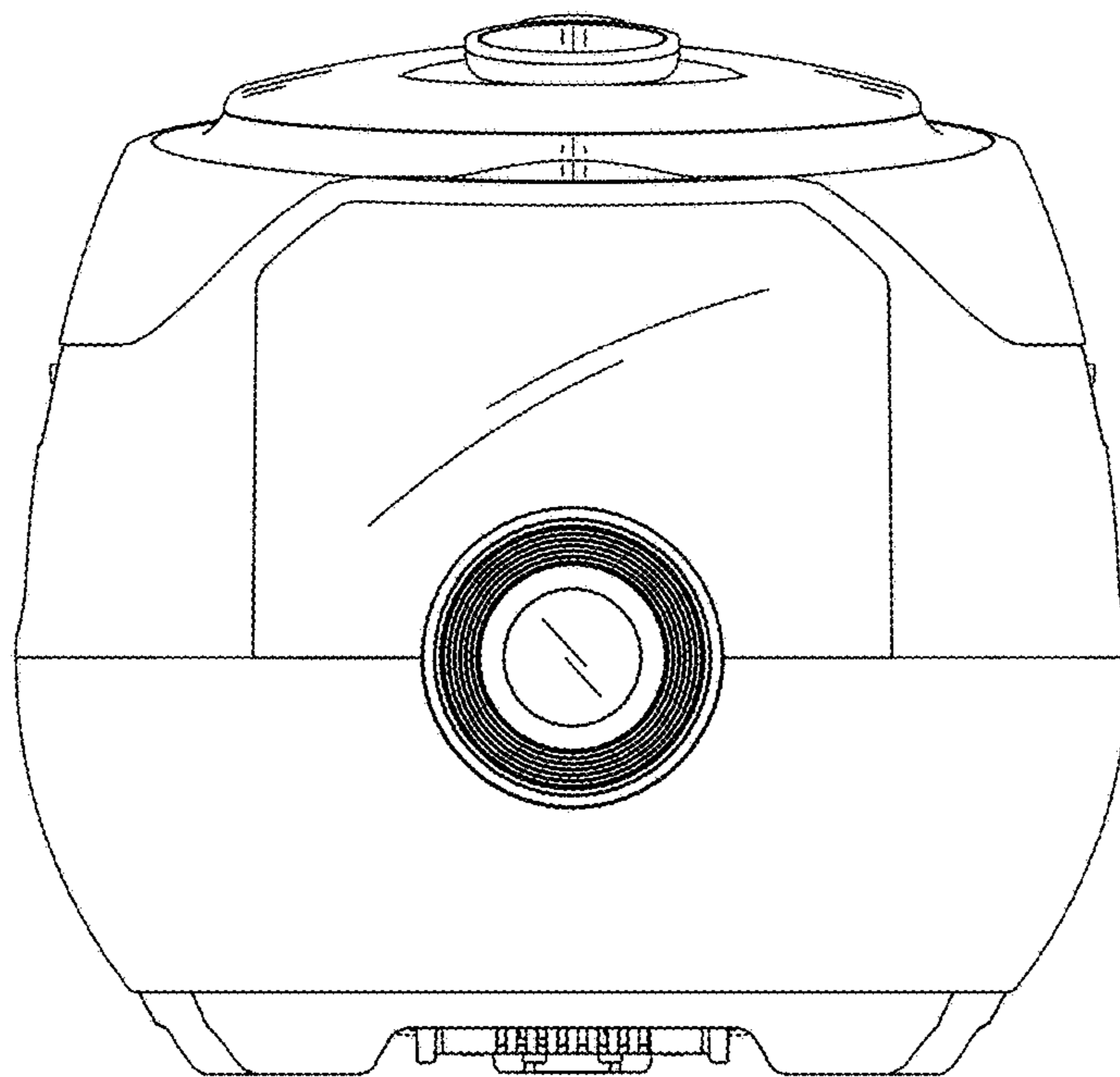


FIG. 3

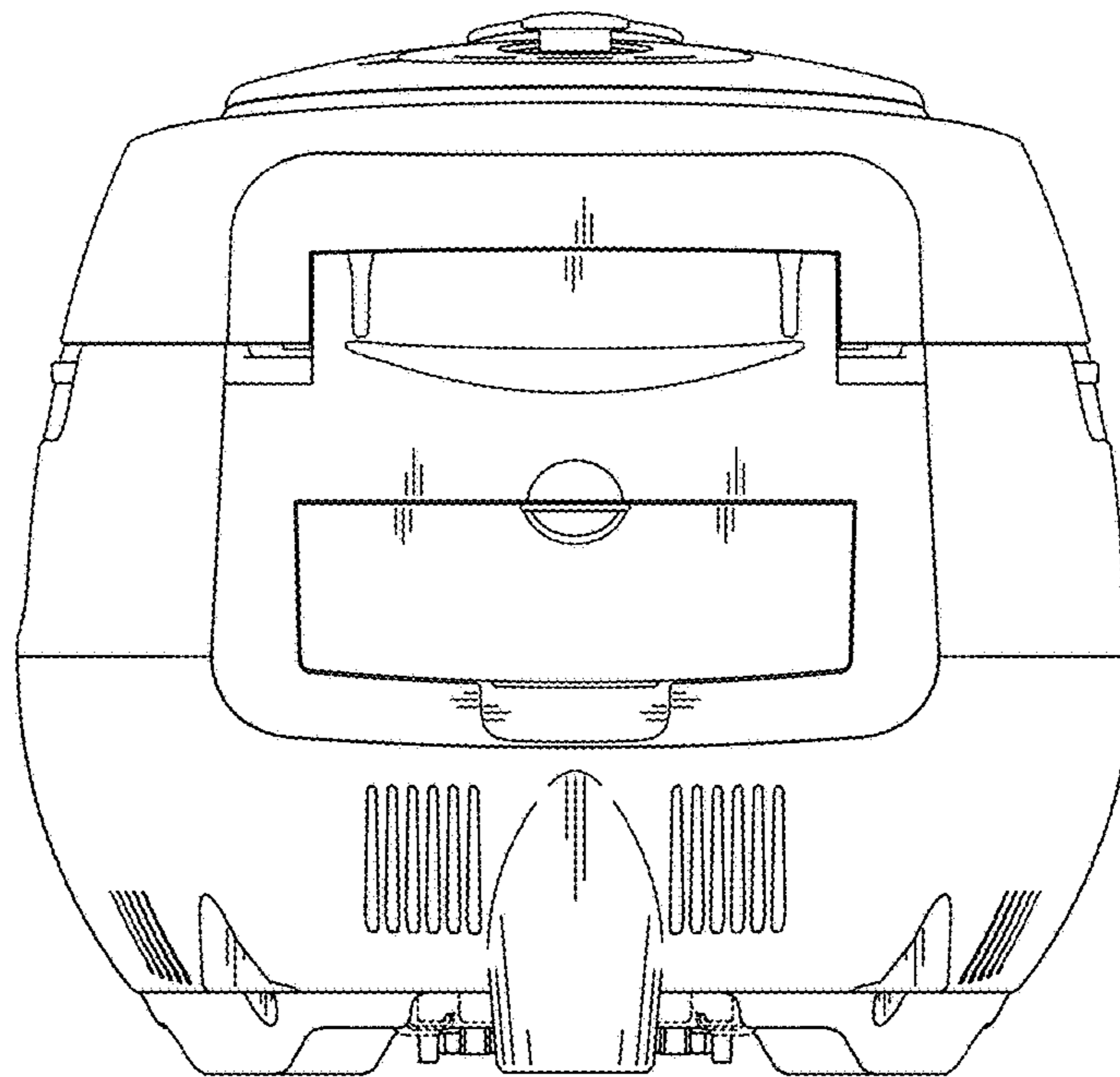


FIG. 4

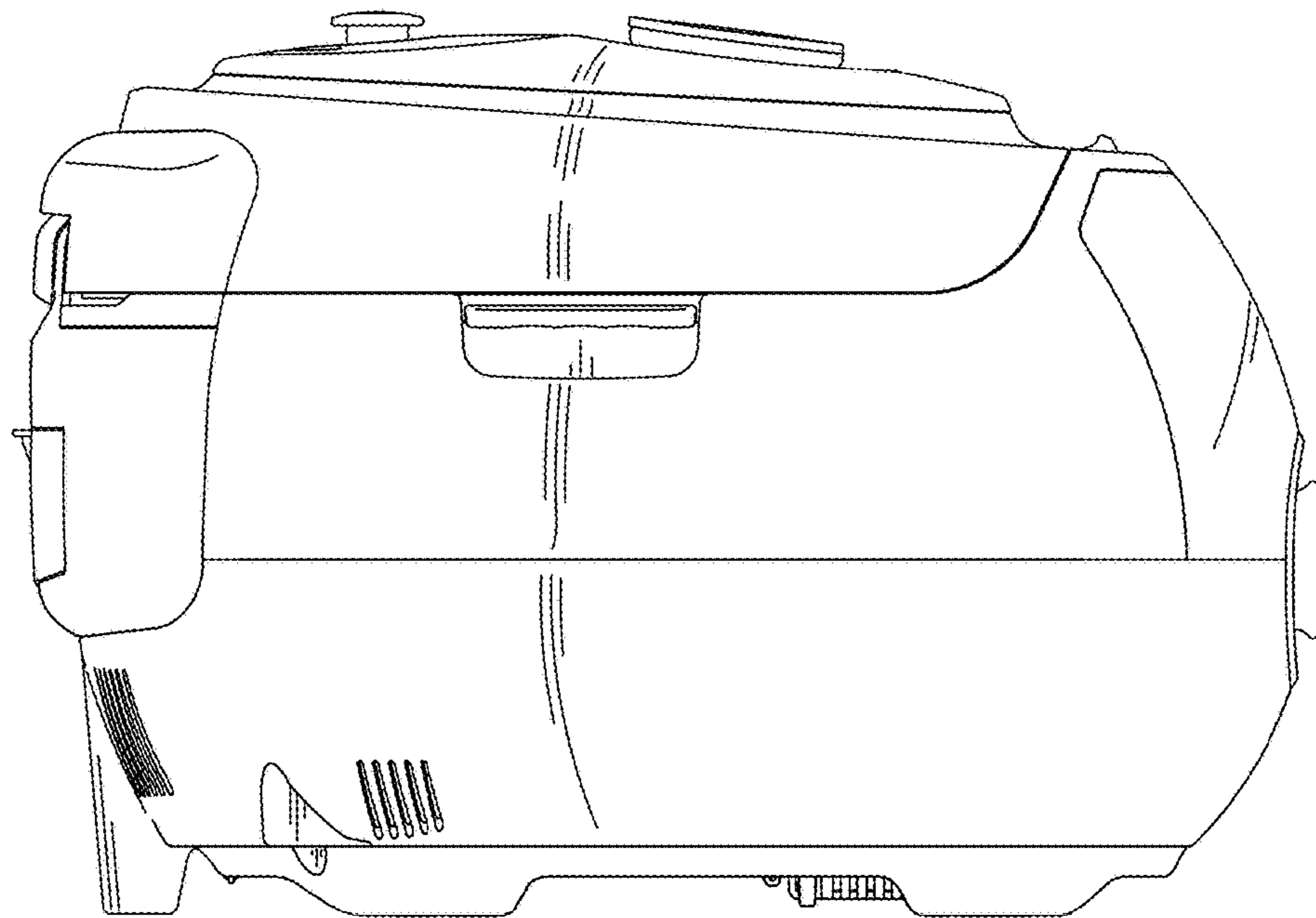


FIG. 5

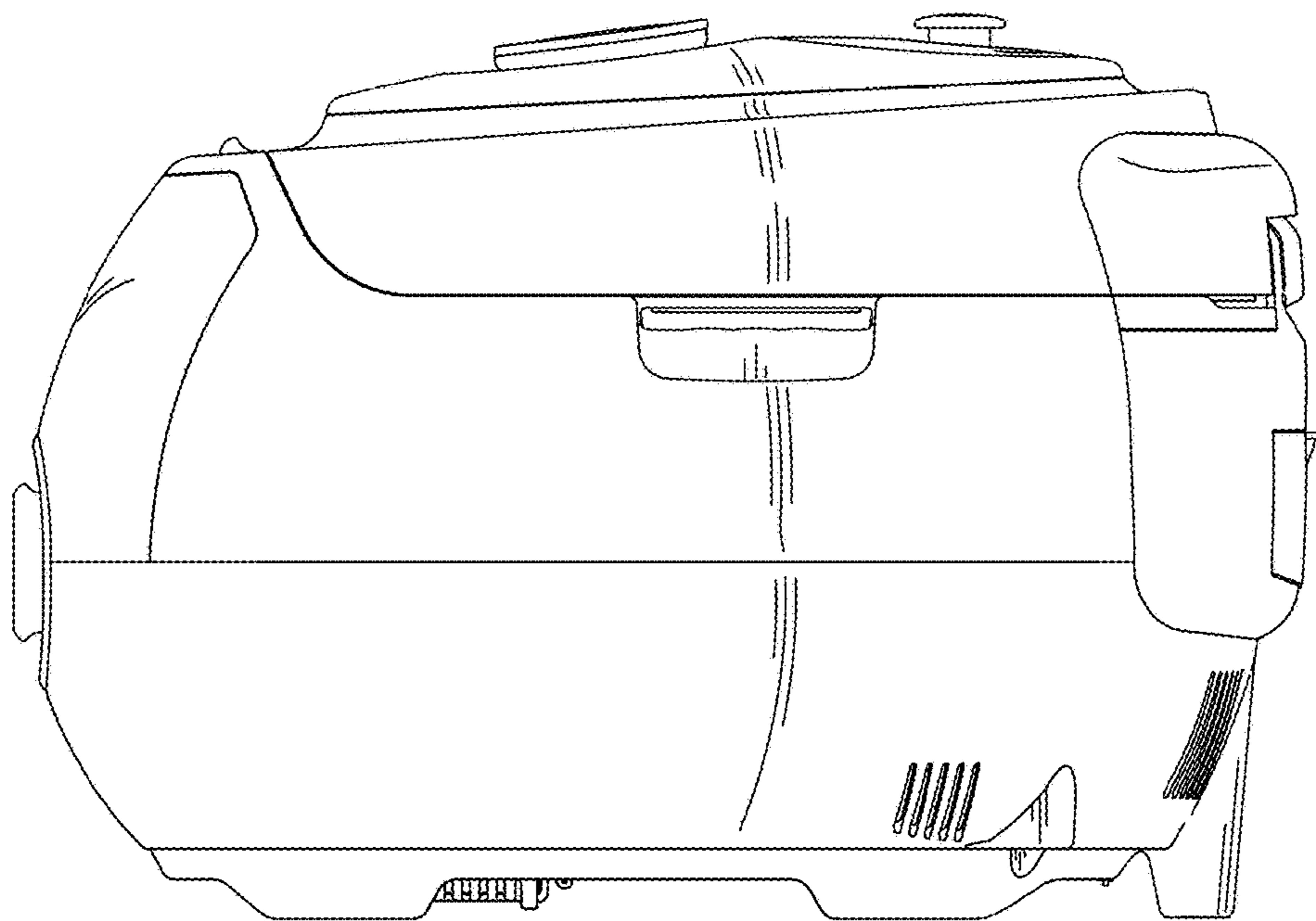


FIG. 6

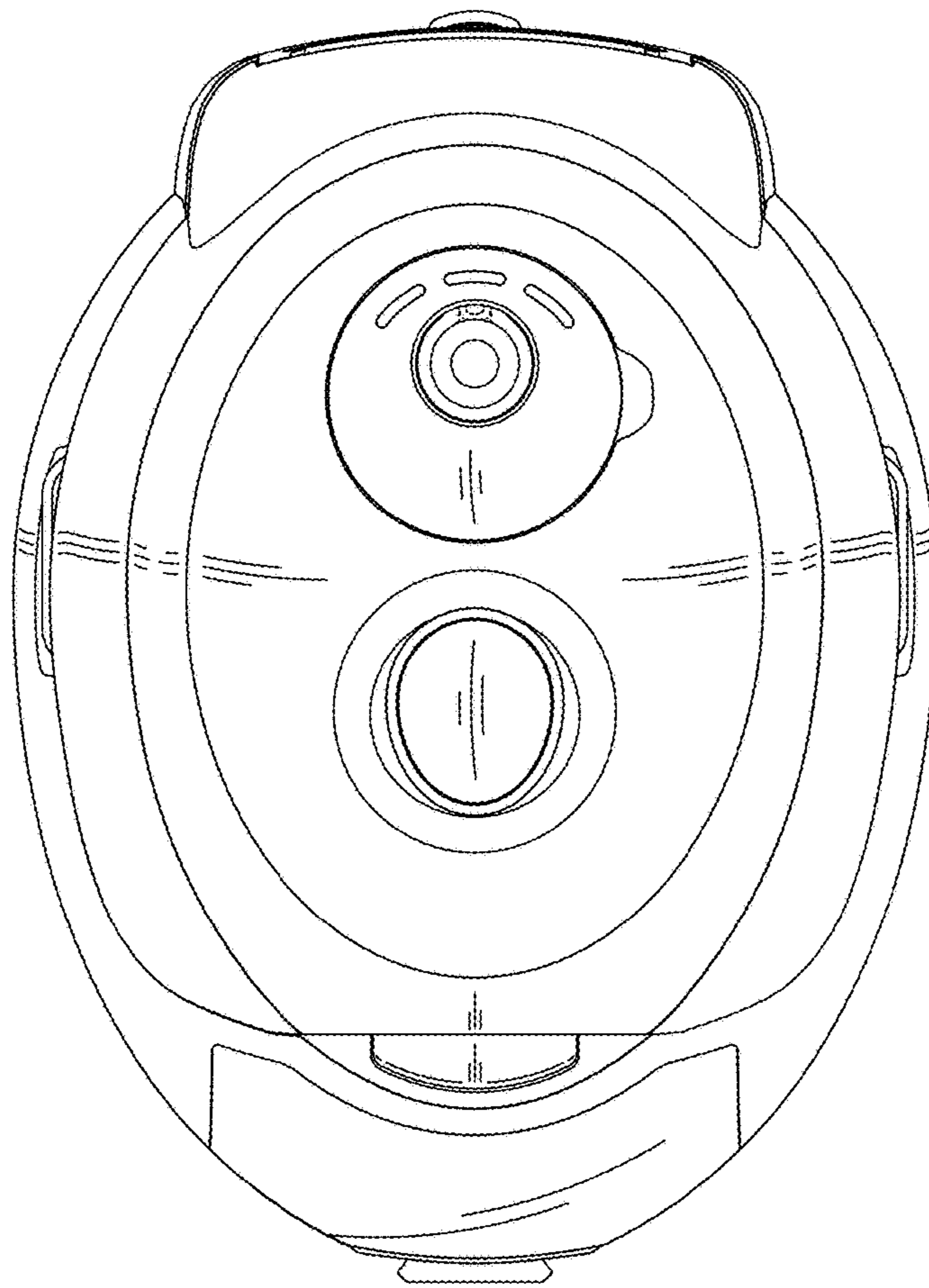


FIG. 7

