



US00D844367S

(12) **United States Design Patent**  
**Khubani et al.**

(10) **Patent No.:** **US D844,367 S**

(45) **Date of Patent:** **\*\* Apr. 2, 2019**

- (54) **COOKING APPARATUS**
- (71) Applicant: **Telebrands Corp.**, Fairfield, NJ (US)
- (72) Inventors: **Ajit Khubani**, Saddle River, NJ (US);  
**Damian Mucaro**, Hackensack, NJ (US); **Yun Pan**, Shenzen (CN)
- (73) Assignee: **Telebrands Corp.**, Fairfield, NJ (US)
- (\*\*) Term: **15 Years**
- (21) Appl. No.: **29/611,706**
- (22) Filed: **Jul. 25, 2017**
- (51) **LOC (11) Cl.** ..... **07-02**
- (52) **U.S. Cl.**  
USPC ..... **D7/352**; D7/362; D7/363
- (58) **Field of Classification Search**  
USPC ..... D7/323, 328–330, 337, 347, 352–364,  
D7/367, 402, 409–411, 674  
CPC . A21B 5/023; A47J 27/60; A47J 27/62; A47J  
37/04; A47J 37/06; A47J 37/067; A47J  
37/0605; A47J 37/0611; A47J 37/0623;  
A47J 37/0629; A47J 37/0676; A47J  
2037/06; A47J 2037/0611; F24C 15/10;  
F24C 15/102; H05B 6/02; H05B 6/062  
See application file for complete search history.

D463,950 S *	10/2002	Wu	.....	D7/352
D464,230 S *	10/2002	Wu	.....	D7/352
D473,417 S *	4/2003	Martres	.....	D7/352
D509,704 S *	9/2005	To	.....	D7/352
D526,153 S *	8/2006	Weiwen	.....	D7/352
D533,392 S *	12/2006	Yeung	.....	D7/352
D549,516 S *	8/2007	Since	.....	D7/352
D750,417 S *	3/2016	Meraz	.....	D7/352
D802,985 S *	11/2017	Jozancy	.....	D7/352

\* cited by examiner

*Primary Examiner* — Ricky Pham

(74) *Attorney, Agent, or Firm* — Cooper & Dunham, LLP

(57) **CLAIM**

The ornamental design for a cooking apparatus, as shown and described.

**DESCRIPTION**

FIG. 1 is a top perspective view of a cooking apparatus in accordance with the present design;  
 FIG. 2 is a front view thereof;  
 FIG. 3 is a back view thereof;  
 FIG. 4 is a right side view thereof;  
 FIG. 5 is a left side view thereof;  
 FIG. 6 is a top view thereof; and  
 FIG. 7 is a bottom view thereof; and,  
 FIG. 8 is another top perspective view of a cooking apparatus in accordance with the present design.  
 The broken lines are for illustrative purposes only and form no part of the claimed design. The shading represents contour of the claimed design.

**1 Claim, 6 Drawing Sheets**

(56) **References Cited**

**U.S. PATENT DOCUMENTS**

D413,760 S *	9/1999	Tsai	.....	D7/352
D462,566 S *	9/2002	Wu	.....	D7/352

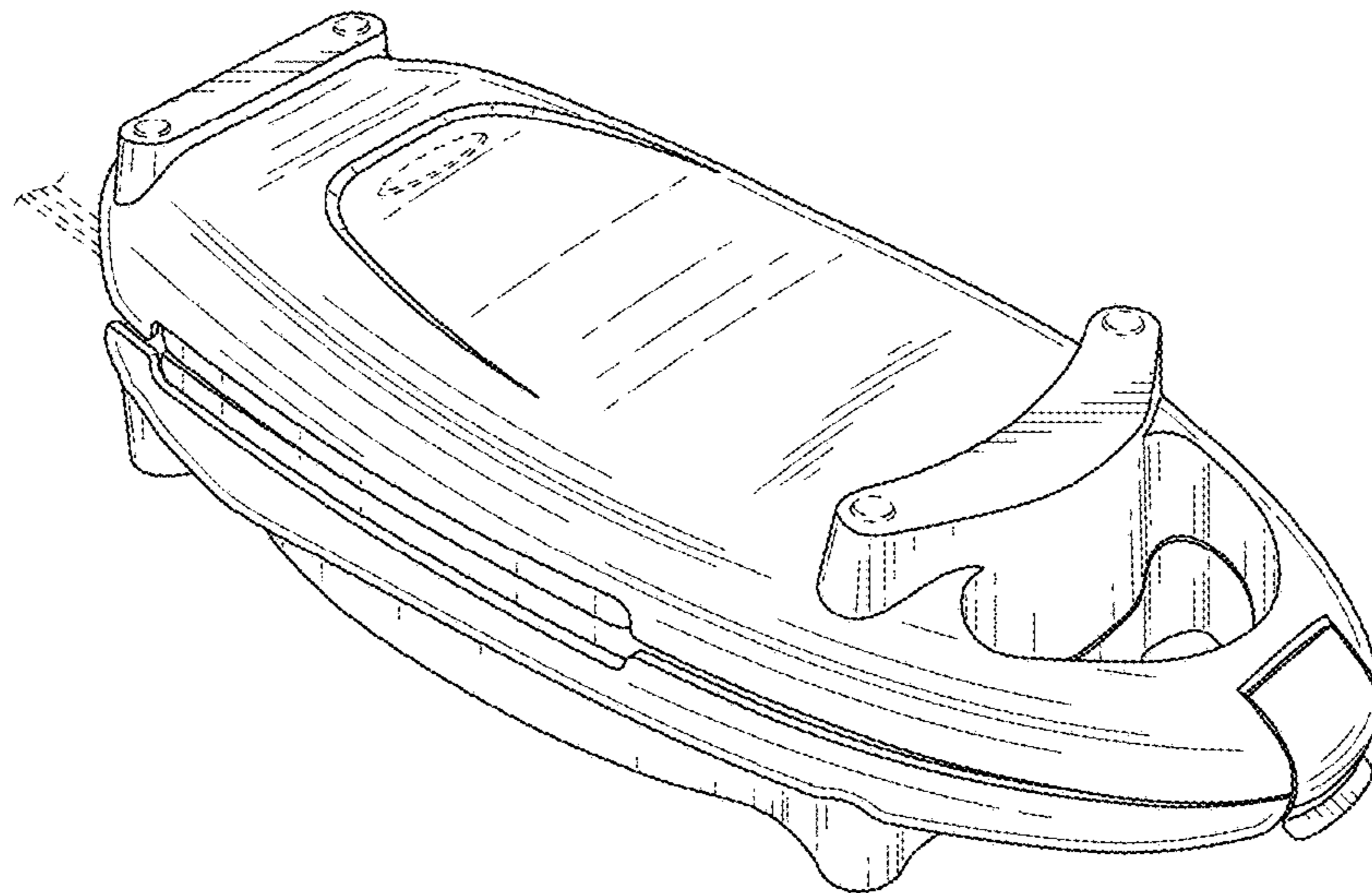


FIG. 1

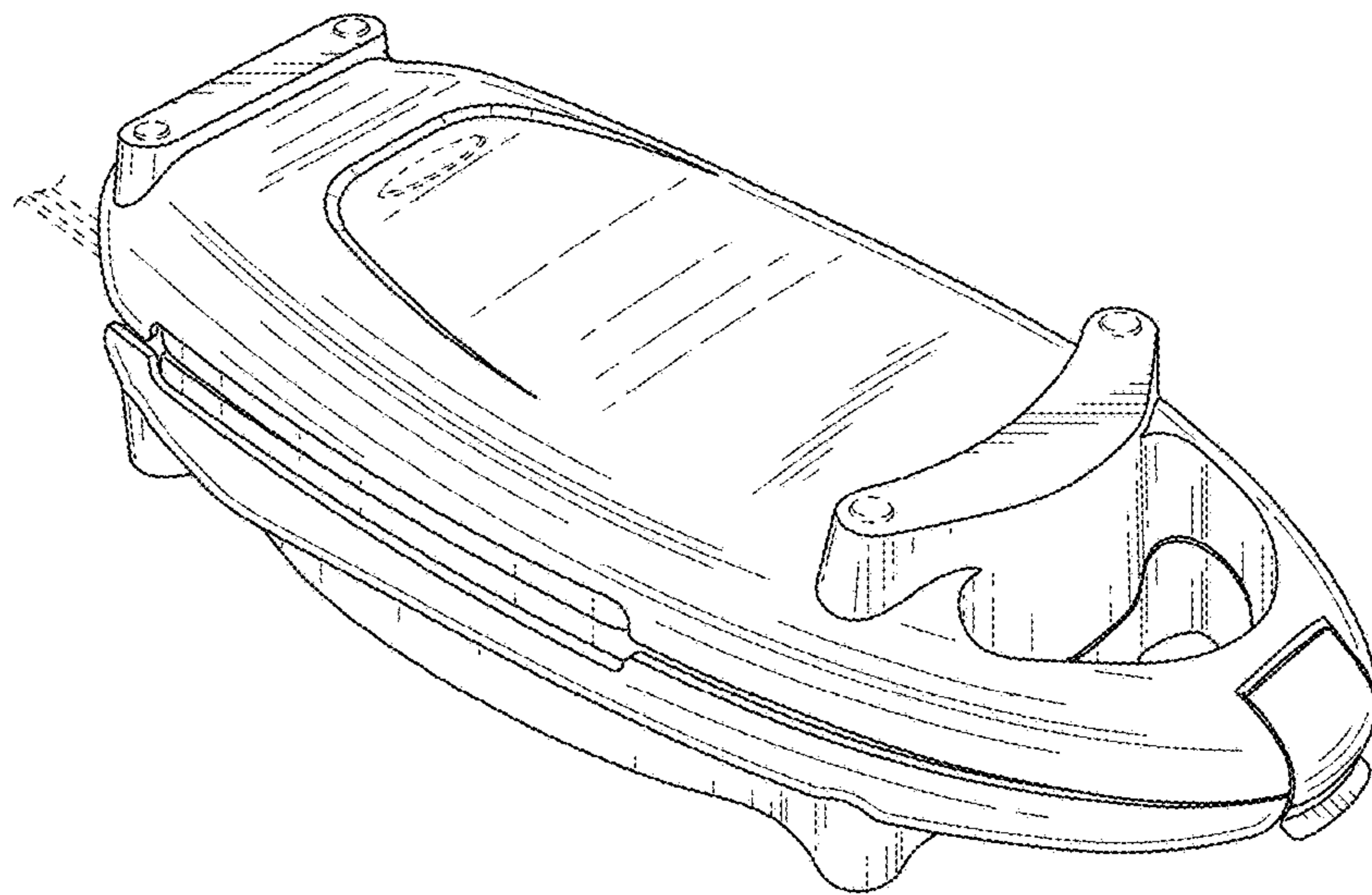


FIG. 2

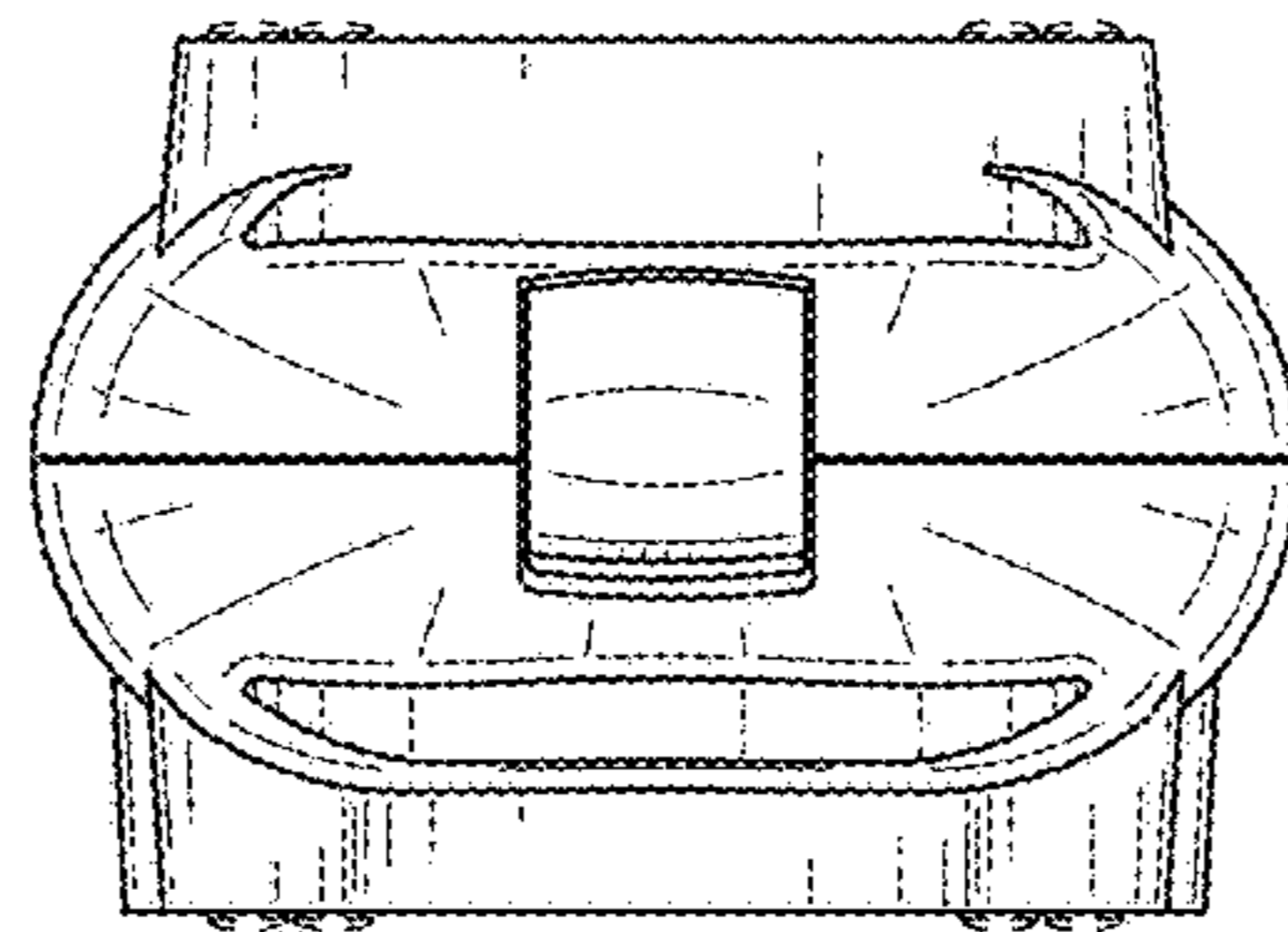


FIG. 3

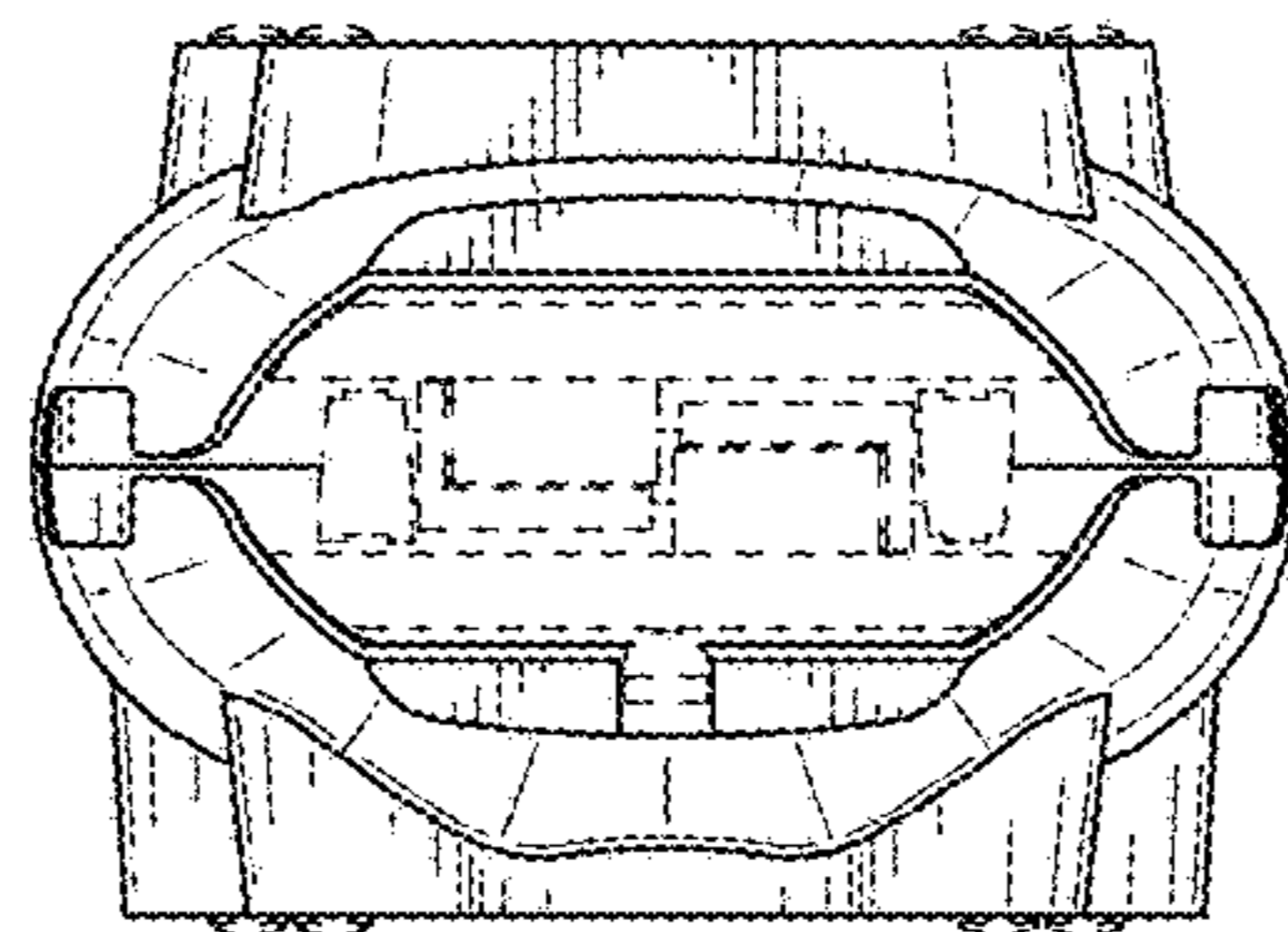


FIG. 4

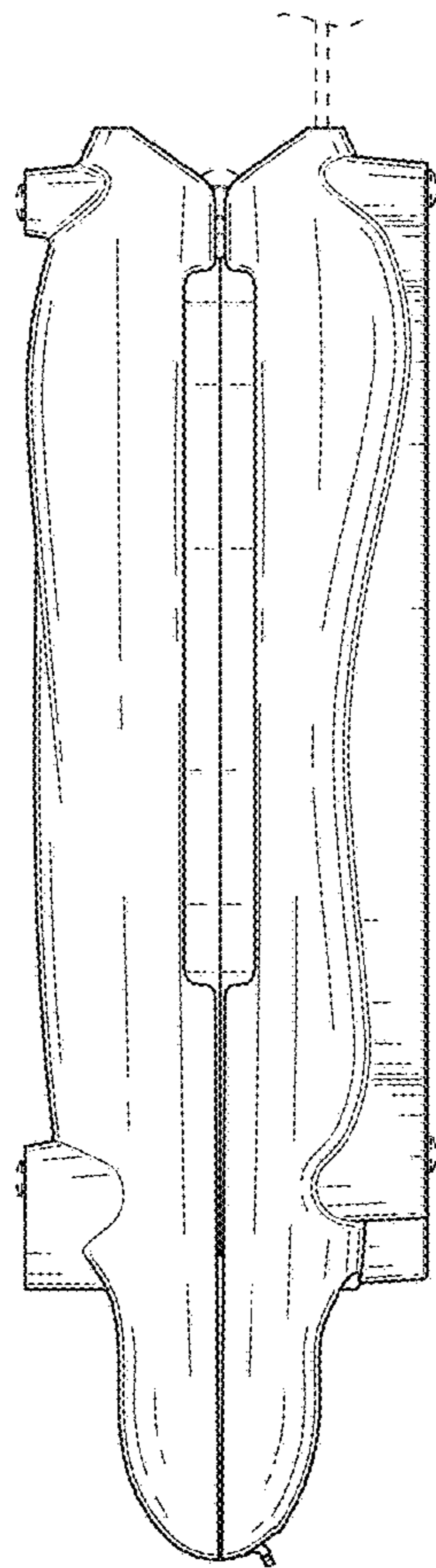


FIG. 5

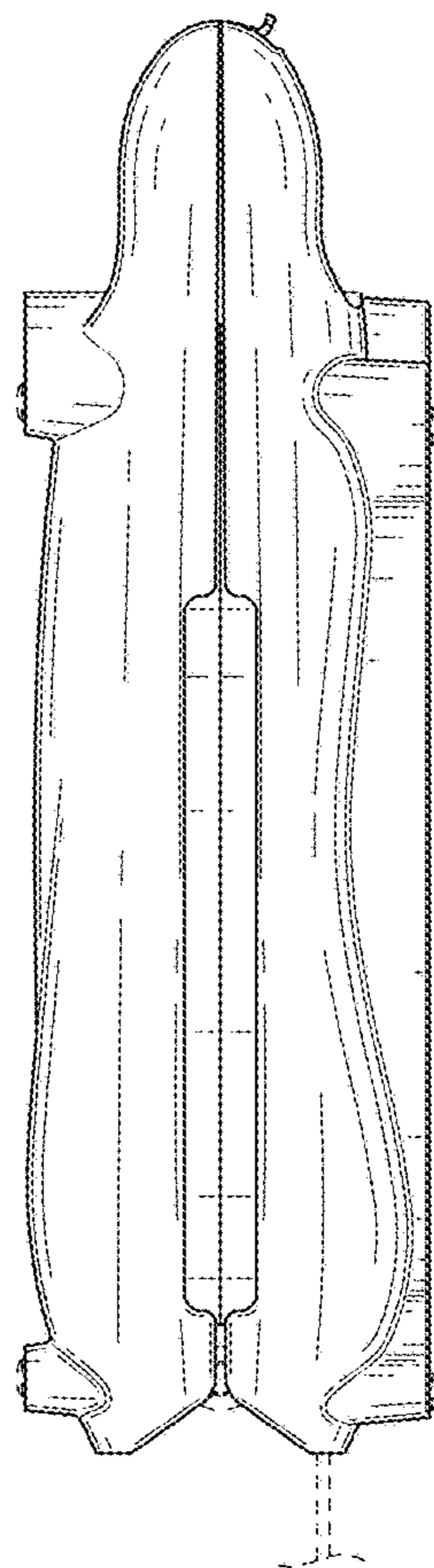


FIG. 6

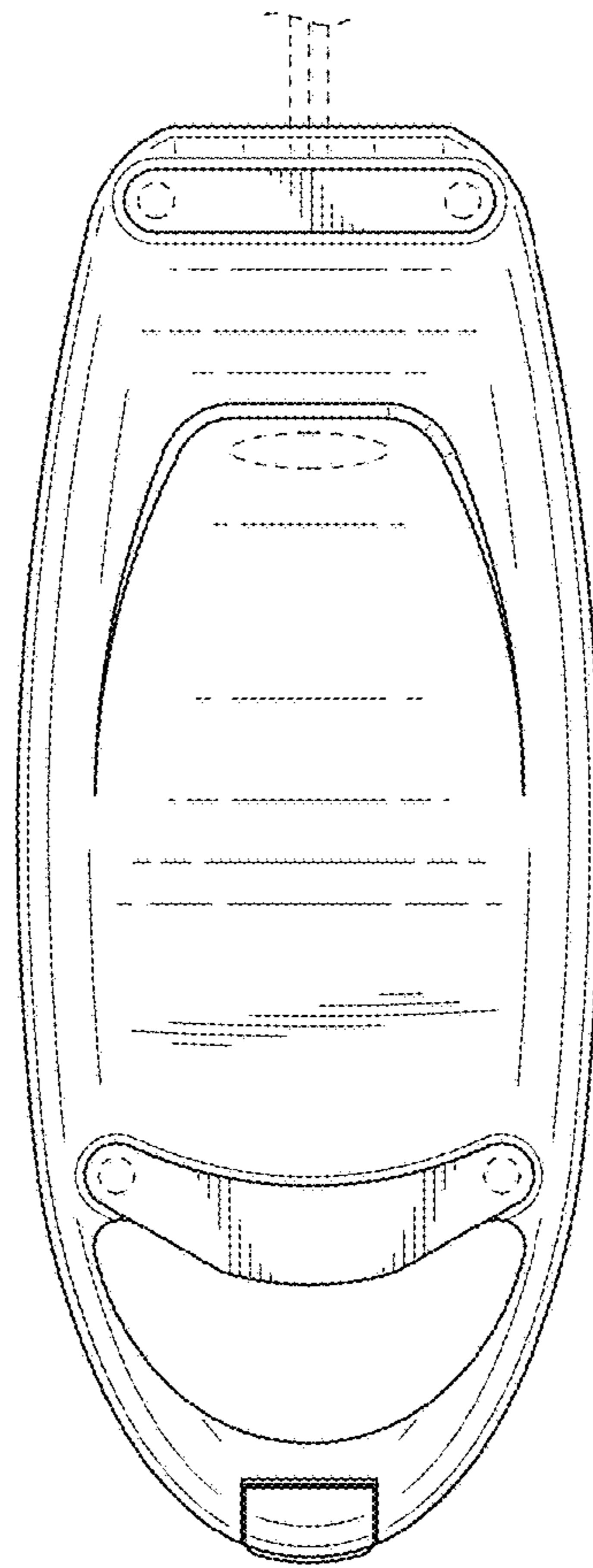


FIG. 7

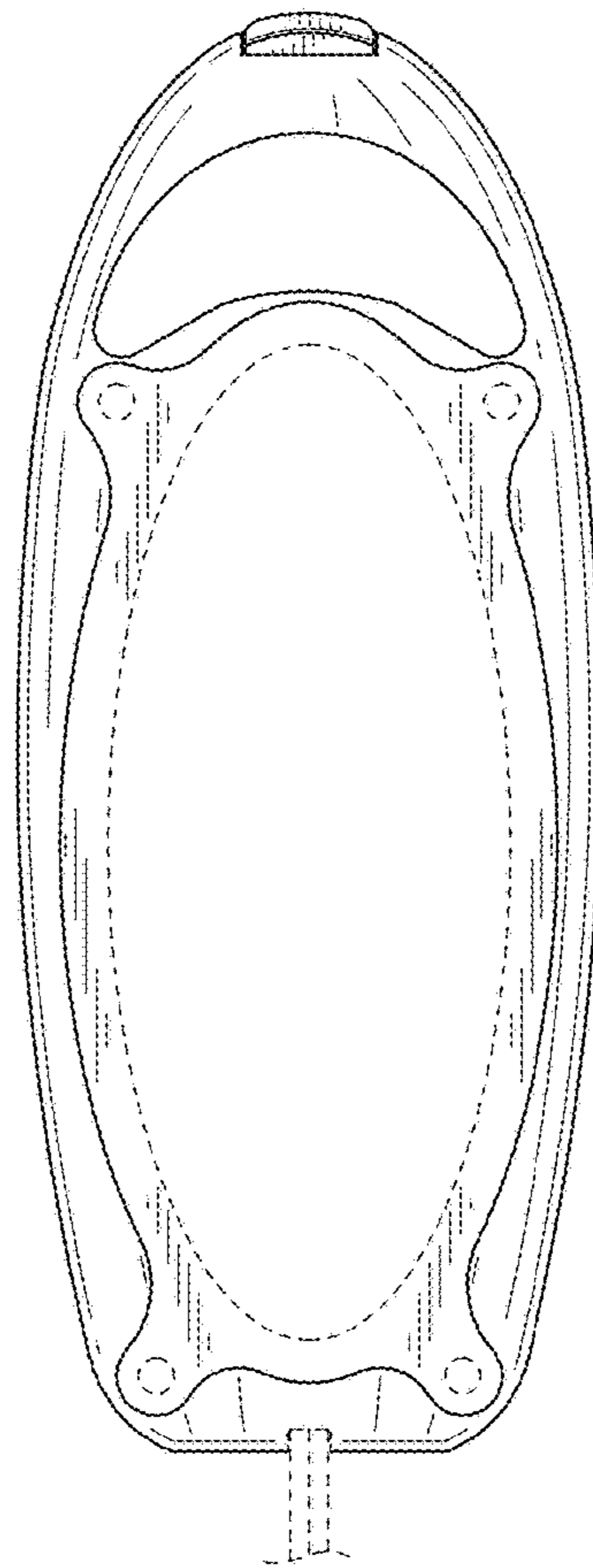


FIG. 8

