



US00D844366S

(12) **United States Design Patent**  
**Miller et al.**

(10) **Patent No.:** **US D844,366 S**

(45) **Date of Patent:** **\*\* Apr. 2, 2019**

- (54) **GRILL**
- (71) Applicant: **Spectrum Brands, Inc.**, Middleton, WI (US)
- (72) Inventors: **Randy Scott Miller**, DeForest, WI (US); **Francisco Javier Barquin**, Madison, WI (US)
- (73) Assignee: **Spectrum Brands, Inc.**, Middleton, WI (US)

D650,220 S	12/2011	Miller et al.	
D650,221 S	12/2011	Miller et al.	
D650,222 S	12/2011	Miller et al.	
D650,223 S	12/2011	Miller et al.	
D650,224 S	12/2011	Miller et al.	
D718,976 S	12/2014	Miller	
D719,395 S	12/2014	Miller	
D760,016 S	6/2016	Koszylko	
D760,532 S	7/2016	Koszylko	
9,901,209 B2 *	2/2018	Guckenberger	..... A47J 37/0611
2009/0020022 A1 *	1/2009	Liu	..... A47J 37/0611 99/372
2014/0352553 A1	12/2014	Guckenberger et al.	
2015/0366402 A1	12/2015	Wu et al.	

(\*\*) Term: **15 Years**

(21) Appl. No.: **29/599,302**

(22) Filed: **Mar. 31, 2017**

(51) **LOC (11) Cl.** ..... **07-02**

(52) **U.S. Cl.**  
USPC ..... **D7/352**

(58) **Field of Classification Search**  
USPC ..... D7/332-337, 352, 402-411, 362-364  
CPC A47J 37/0713; A47J 37/0763; A47J 37/0611;  
A47J 37/0704; A47J 37/0777; A47J  
37/0786; A47J 33/00; A47J 37/0617;  
A47J 37/0676  
See application file for complete search history.

(56) **References Cited**

**U.S. PATENT DOCUMENTS**

6,188,836 B1	2/2001	Glucksman et al.	
D450,976 S	11/2001	Mosher	
D522,802 S *	6/2006	Dreimann	..... D7/352
D526,154 S *	8/2006	Dreimann	..... D7/352
D562,620 S *	2/2008	Li	..... D7/352

\* cited by examiner

*Primary Examiner* — Brett Miller

(74) *Attorney, Agent, or Firm* — Banner & Witcoff, Ltd.

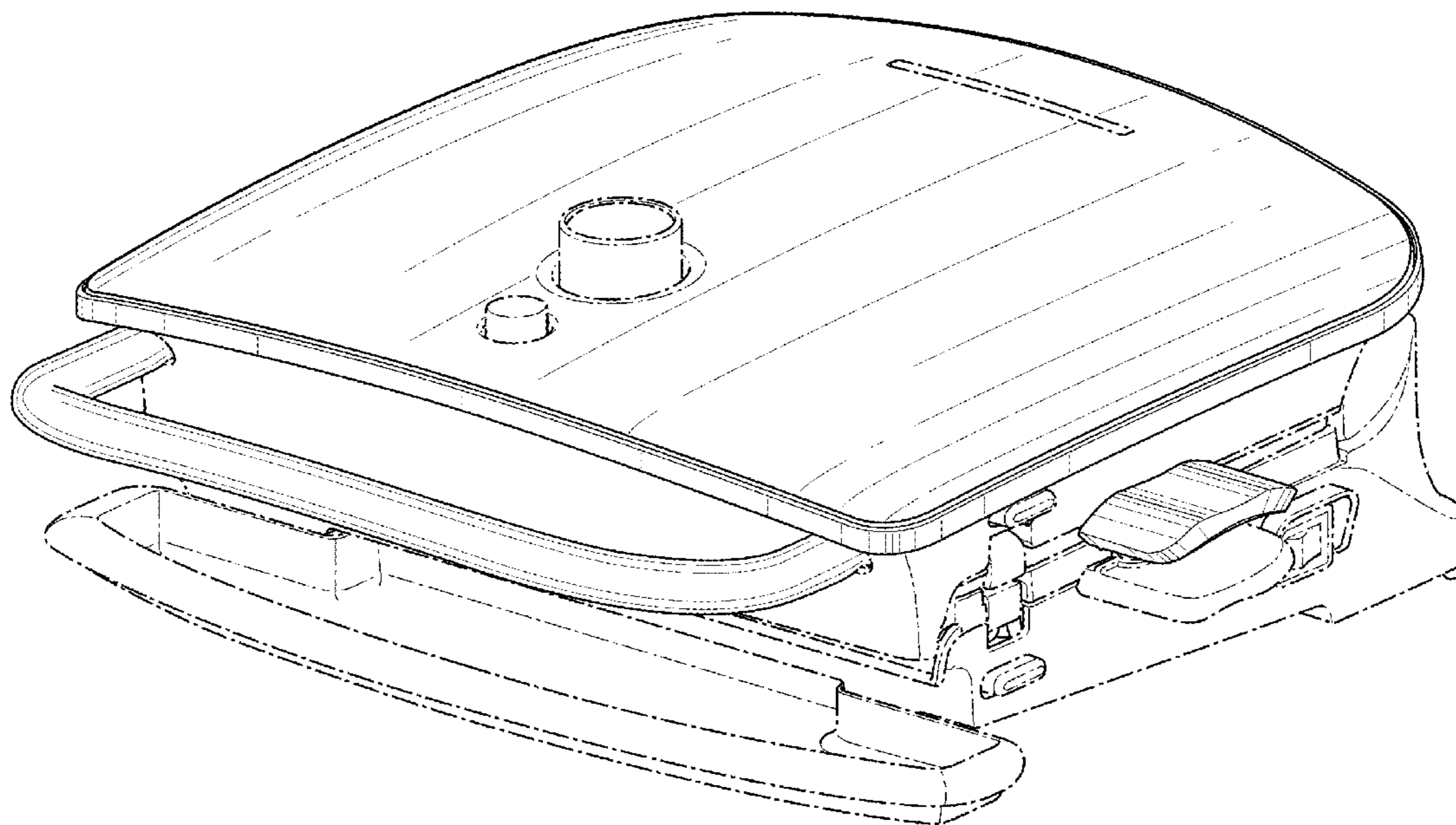
(57) **CLAIM**

The ornamental design for a grill, as shown and described.

**DESCRIPTION**

FIG. 1 is a front perspective view of a grill showing our new design;  
FIG. 2 is a left side view thereof;  
FIG. 3 is a right side view thereof;  
FIG. 4 is a front view thereof;  
FIG. 5 is a rear view thereof;  
FIG. 6 is a top view thereof; and,  
FIG. 7 is a bottom view thereof.  
The broken line showing of the remainder of the grill represents unclaimed subject matter and forms no part of the claimed design.

**1 Claim, 7 Drawing Sheets**



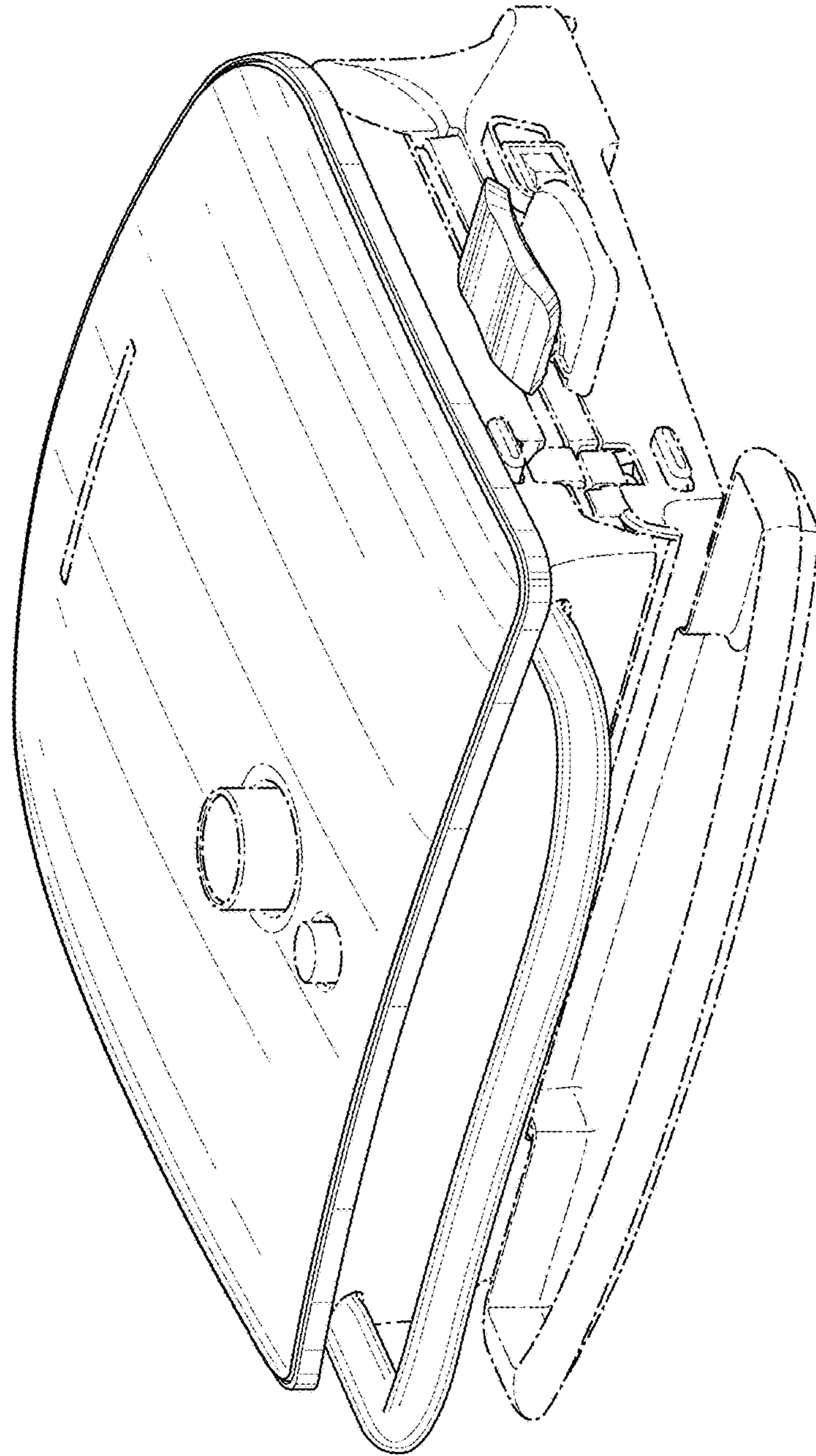


FIG. 1

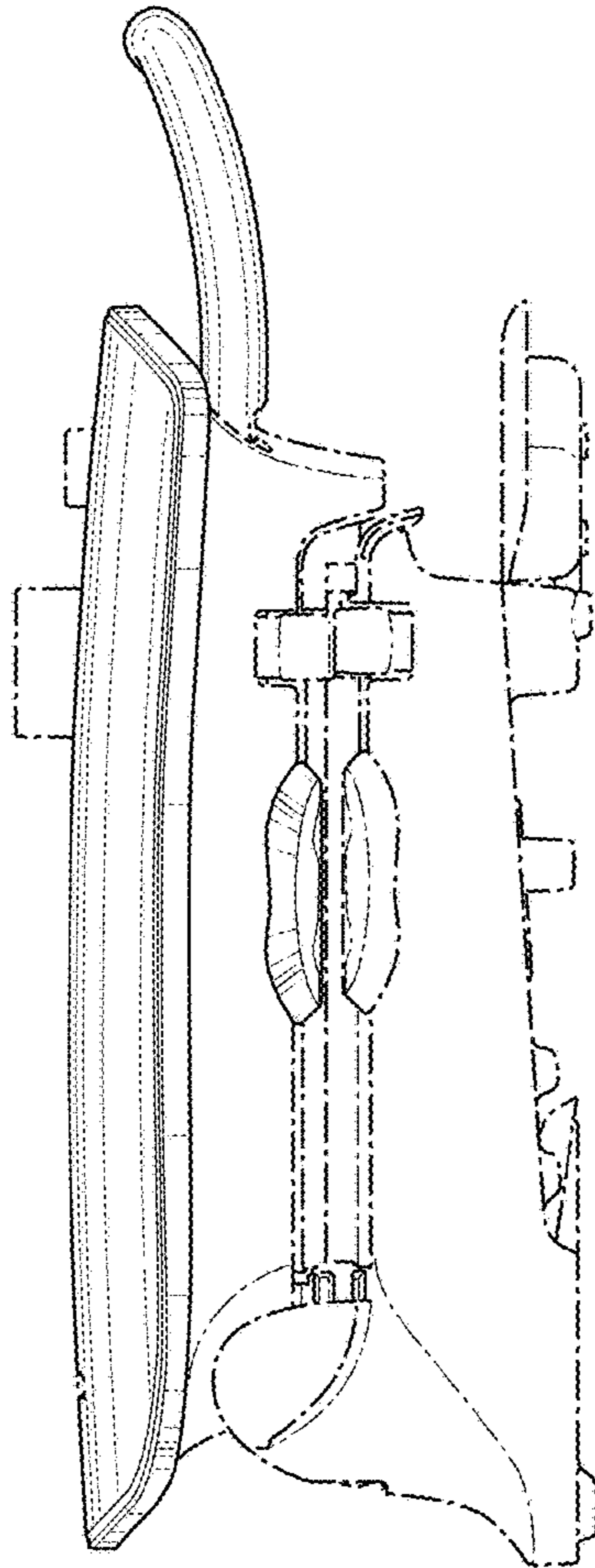


FIG. 2

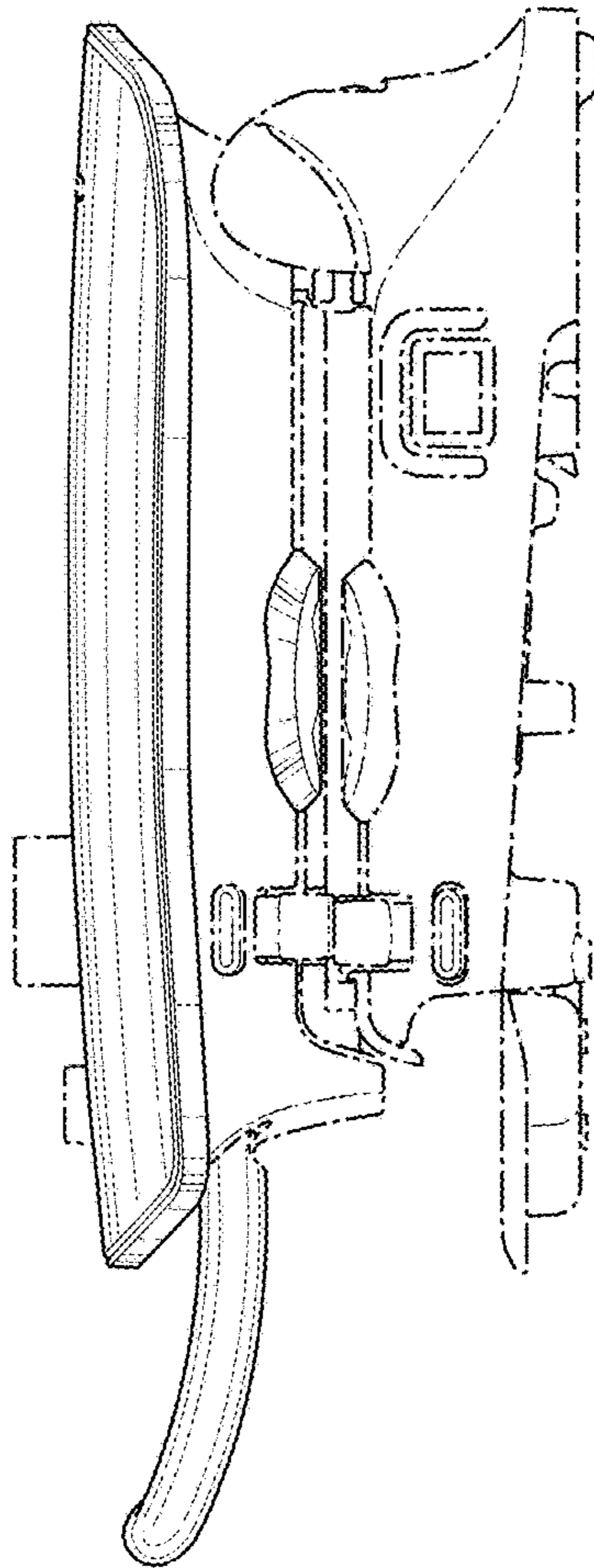


FIG. 3

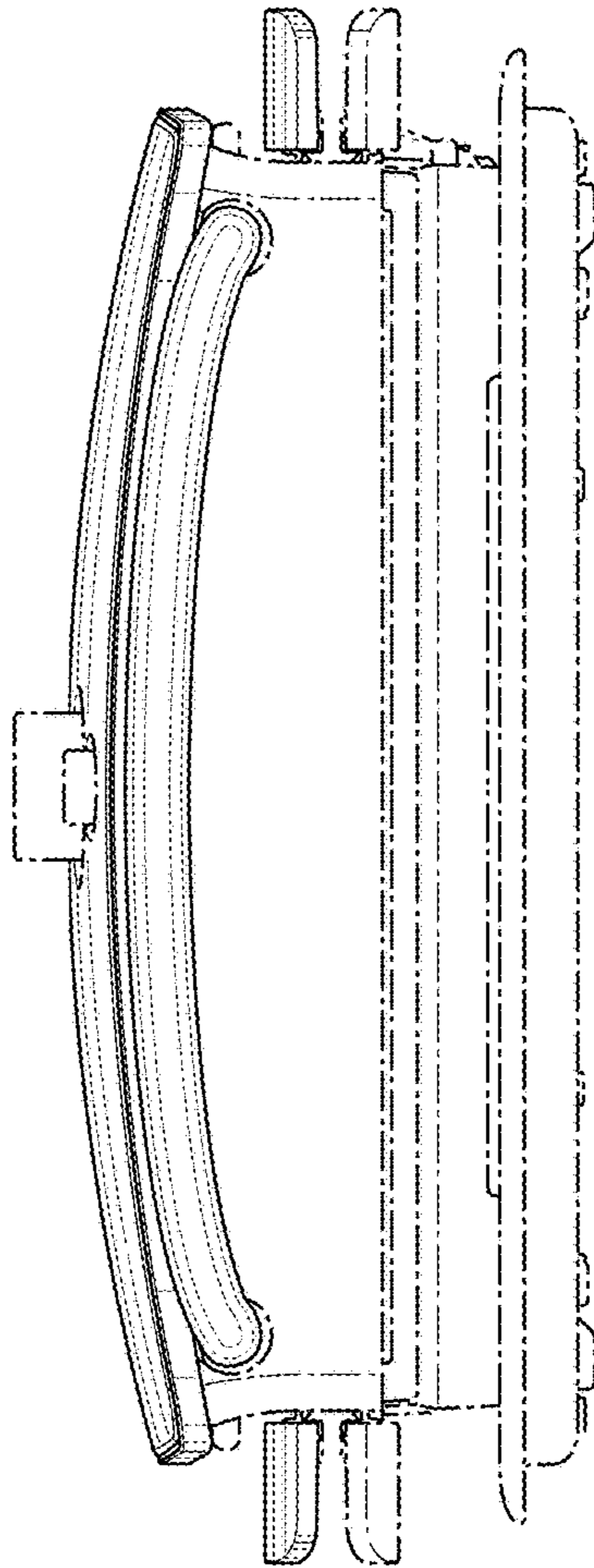


FIG. 4

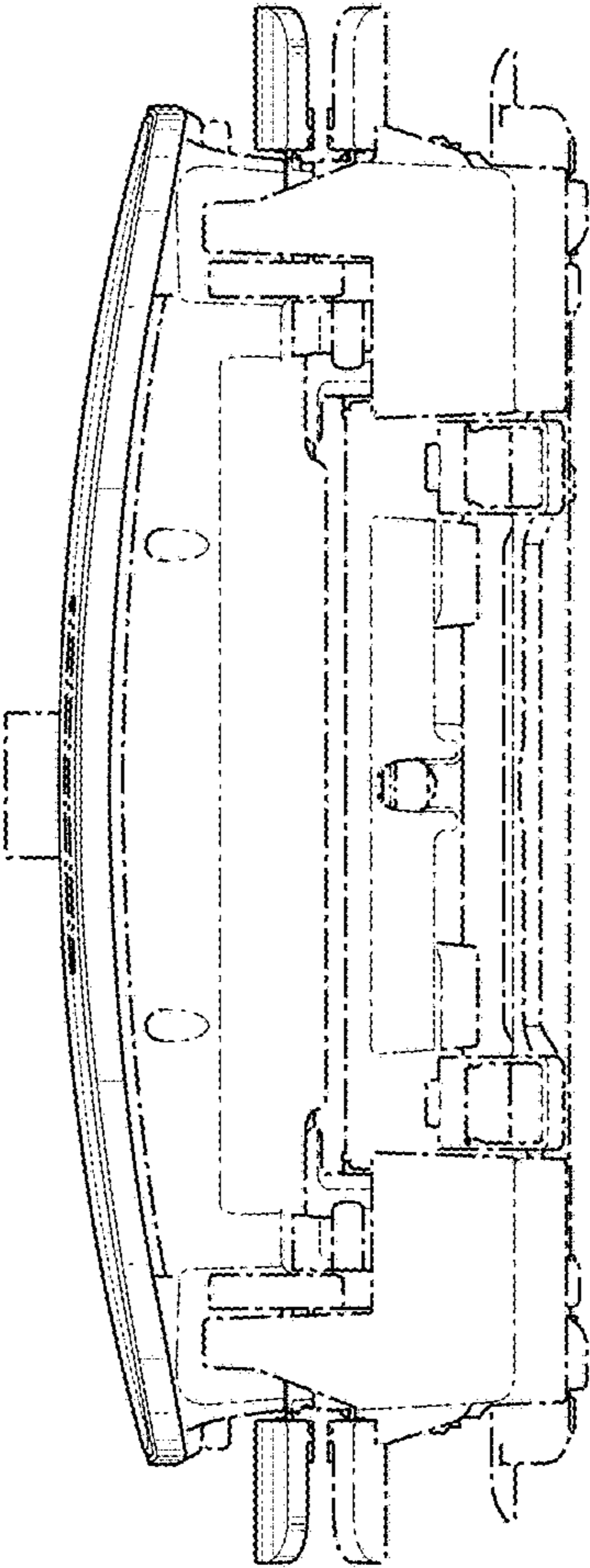


FIG. 5

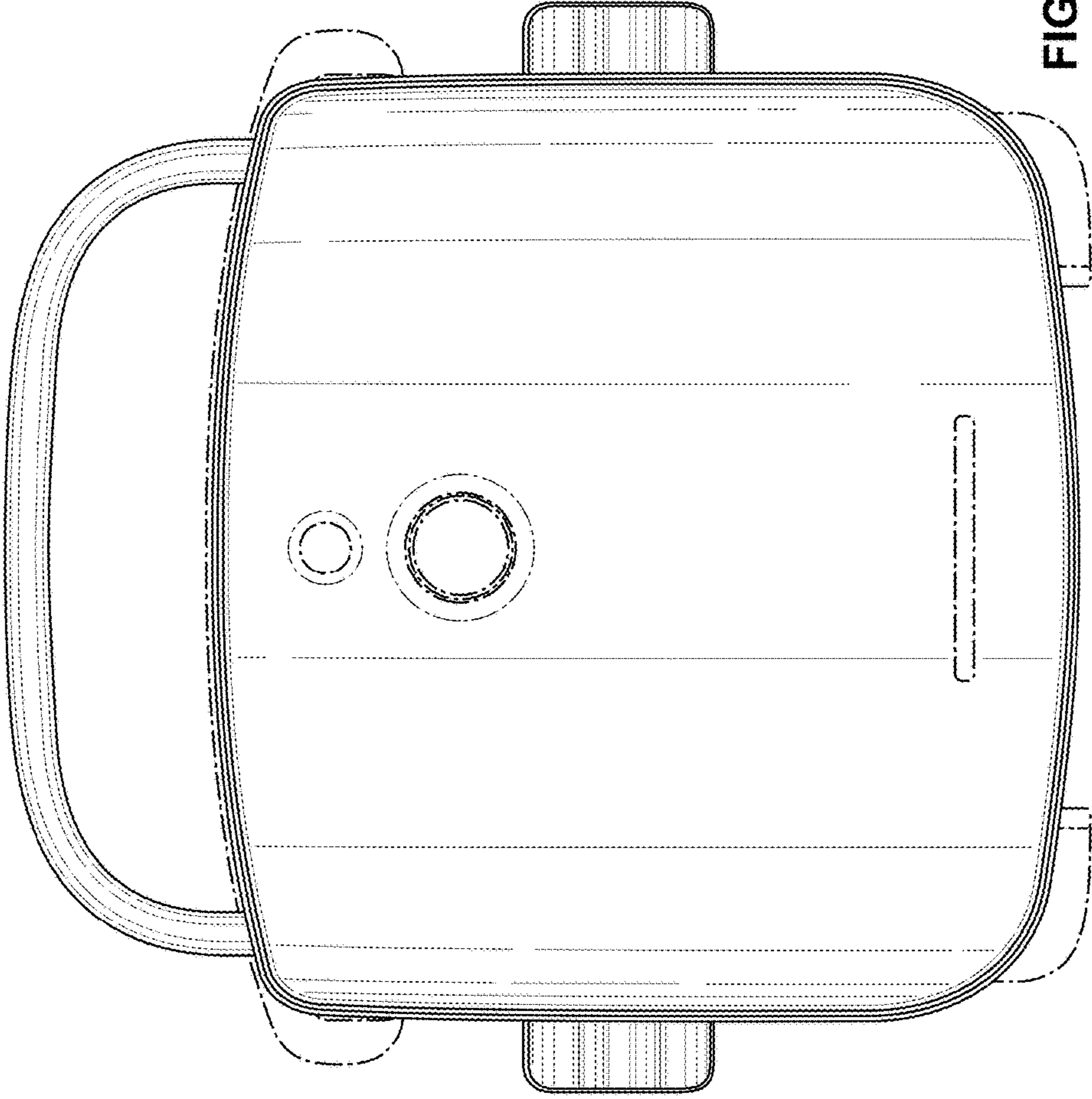


FIG. 6

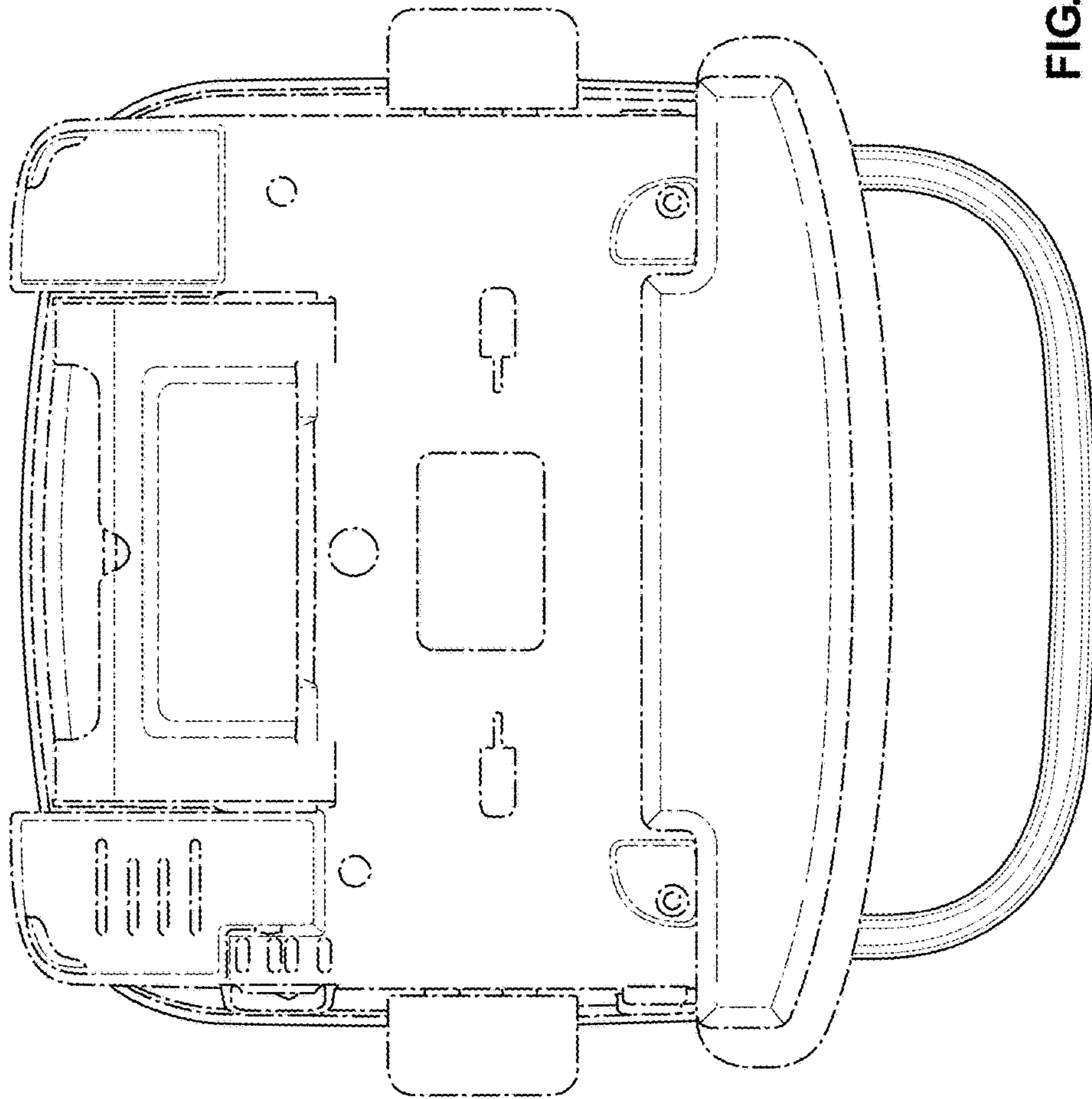


FIG. 7