

US00D844363S

(12) **United States Design Patent** (10) **Patent No.:** **US D844,363 S**
Lira-Nunez et al. (45) **Date of Patent:** **** Apr. 2, 2019**

(54) **GRILL**

(56) **References Cited**

(71) Applicants: **Carmen O. Lira-Nunez**, Downers Grove, IL (US); **Patrick Joyce**, Arlington Heights, IL (US); **Jacob Alan Stanton**, Chicago, IL (US); **Mark Richard Pavel**, Lisle, IL (US); **Charles Young Choi**, Chicago, IL (US)

U.S. PATENT DOCUMENTS

D460,312 S *	7/2002	Fry	D7/334
D486,033 S *	2/2004	Tseng	D7/334
D503,582 S *	4/2005	Johnson	D7/332
D547,593 S *	7/2007	May	D7/334
D572,519 S *	7/2008	Thomas	D7/334
D801,745 S *	11/2017	Costa	D7/337
2008/0230045 A1 *	9/2008	Bruno	A47J 37/0704 126/25 R

(72) Inventors: **Carmen O. Lira-Nunez**, Downers Grove, IL (US); **Patrick Joyce**, Arlington Heights, IL (US); **Jacob Alan Stanton**, Chicago, IL (US); **Mark Richard Pavel**, Lisle, IL (US); **Charles Young Choi**, Chicago, IL (US)

* cited by examiner

Primary Examiner — Brett Miller

(74) *Attorney, Agent, or Firm* — Vitale, Vickrey, Niro & Gasey LLP

(73) Assignee: **Weber-Stephen Products LLC**, Palatine, IL (US)

(57) **CLAIM**

The ornamental design for a grill, as shown and described.

DESCRIPTION

(**) Term: **15 Years**

(21) Appl. No.: **29/599,176**

(22) Filed: **Mar. 31, 2017**

(51) **LOC (11) Cl.** **07-02**

(52) **U.S. Cl.**
USPC **D7/337**

(58) **Field of Classification Search**
USPC D7/332–337, 352, 402–411
CPC A47J 37/0713; A47J 37/0763;
A47J 37/0611; A47J 37/0704; A47J
37/0777; A47J 37/0786; A47J 33/00

See application file for complete search history.

FIG. 1 is a right front perspective view of a grill of the present invention;
FIG. 2 is a bottom front perspective view of the grill of the present invention;
FIG. 3 is a top view of the grill of the present invention;
FIG. 4 is a front view of the grill of the present invention;
FIG. 5 is a left side view of the grill of the present invention;
FIG. 6 is a rear view of the grill of the present invention;
FIG. 7 is a right side view of the grill of the present invention; and,
FIG. 8 is a bottom view of the grill of the present invention.
The broken lines in the Figures depict portions of the grill that form no part of the claimed design.

1 Claim, 8 Drawing Sheets

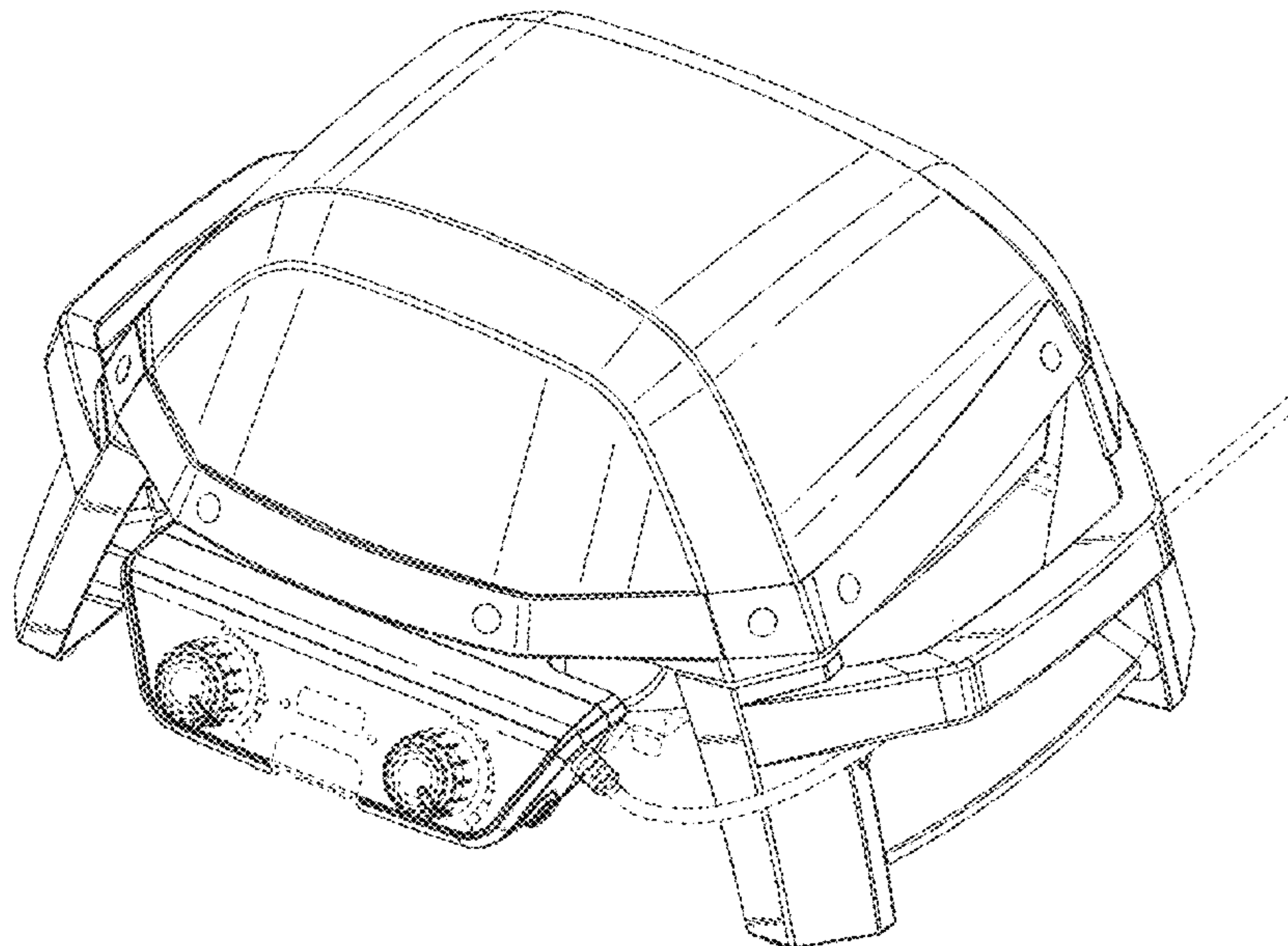
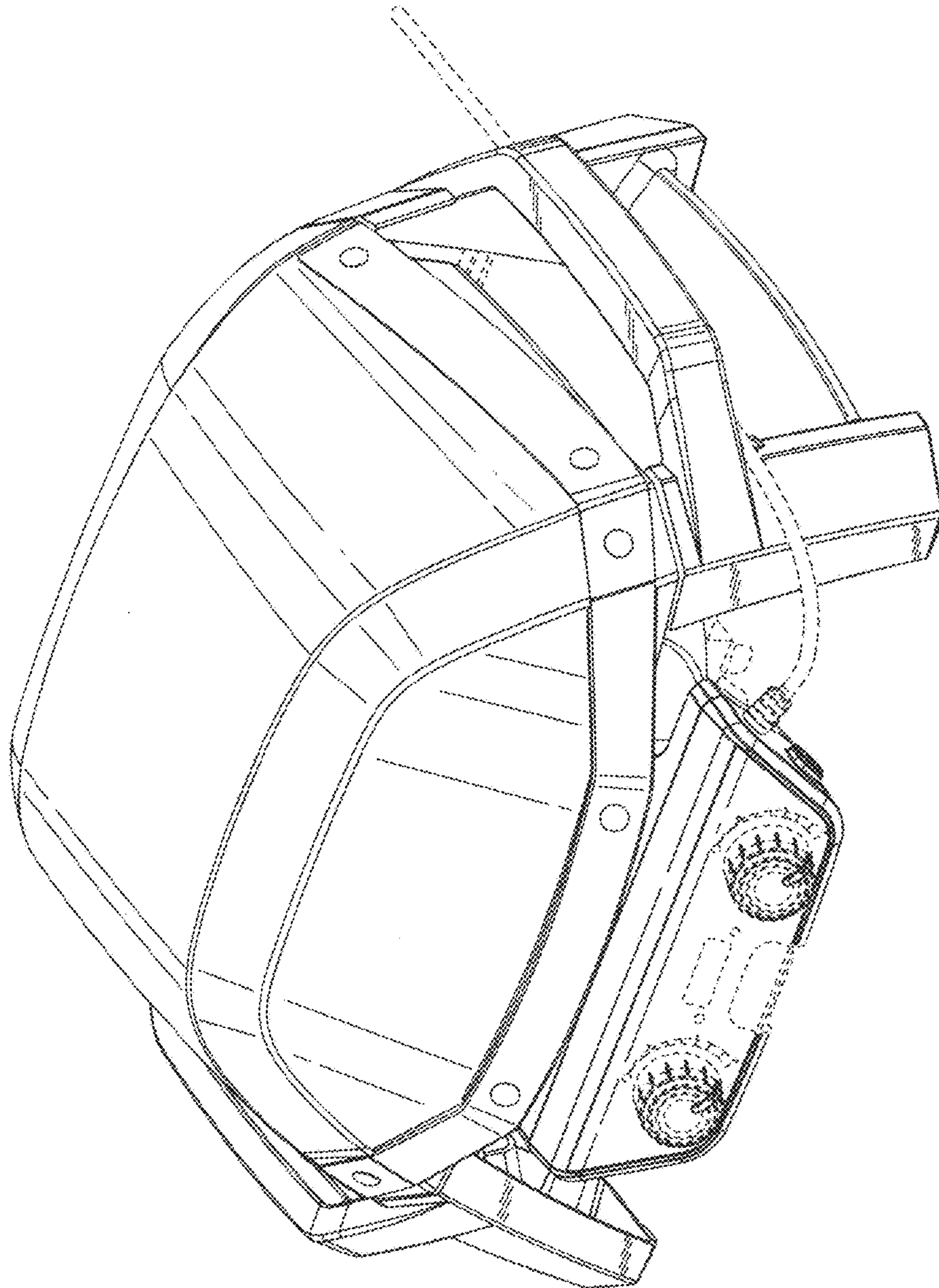


Fig. 1



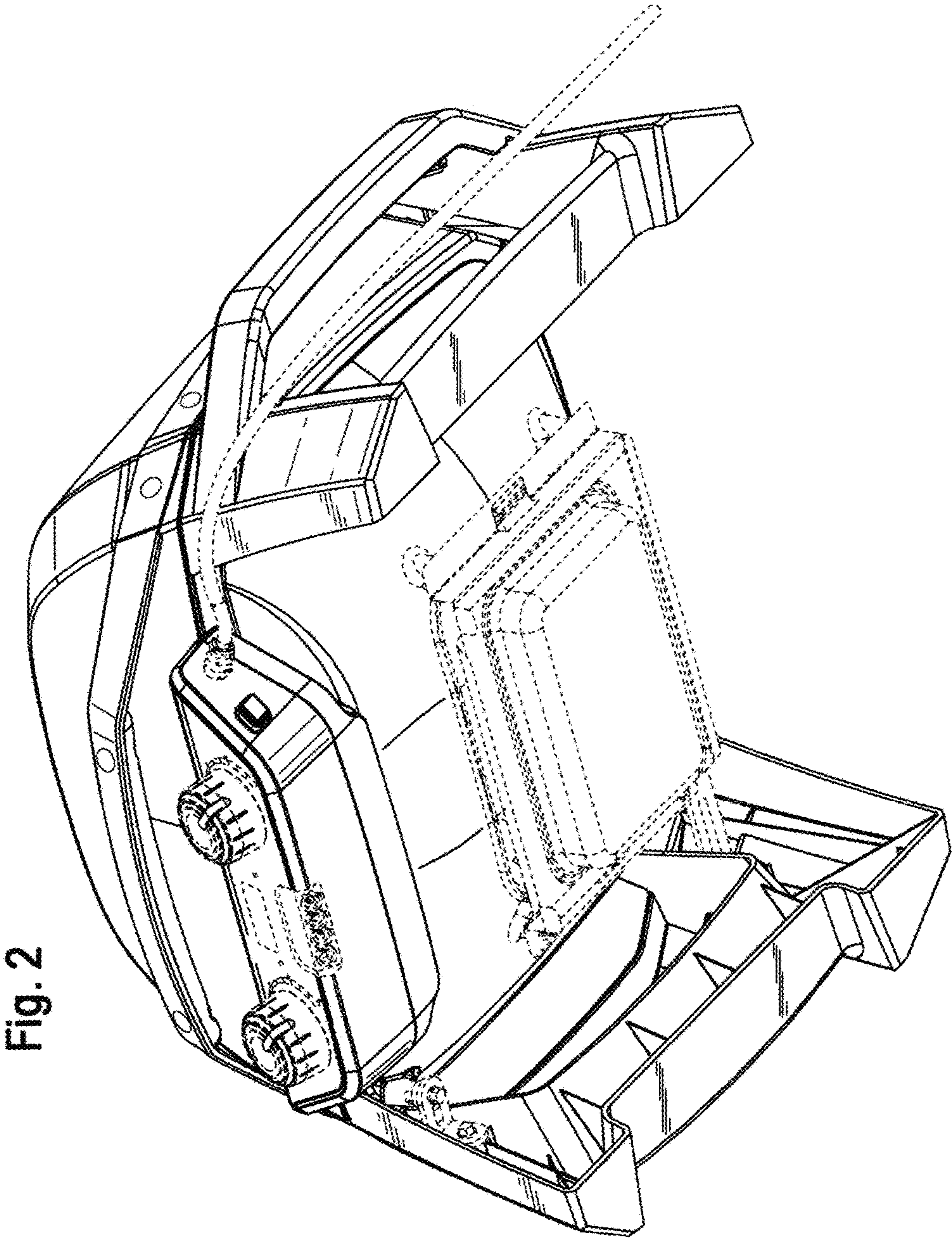


Fig. 2

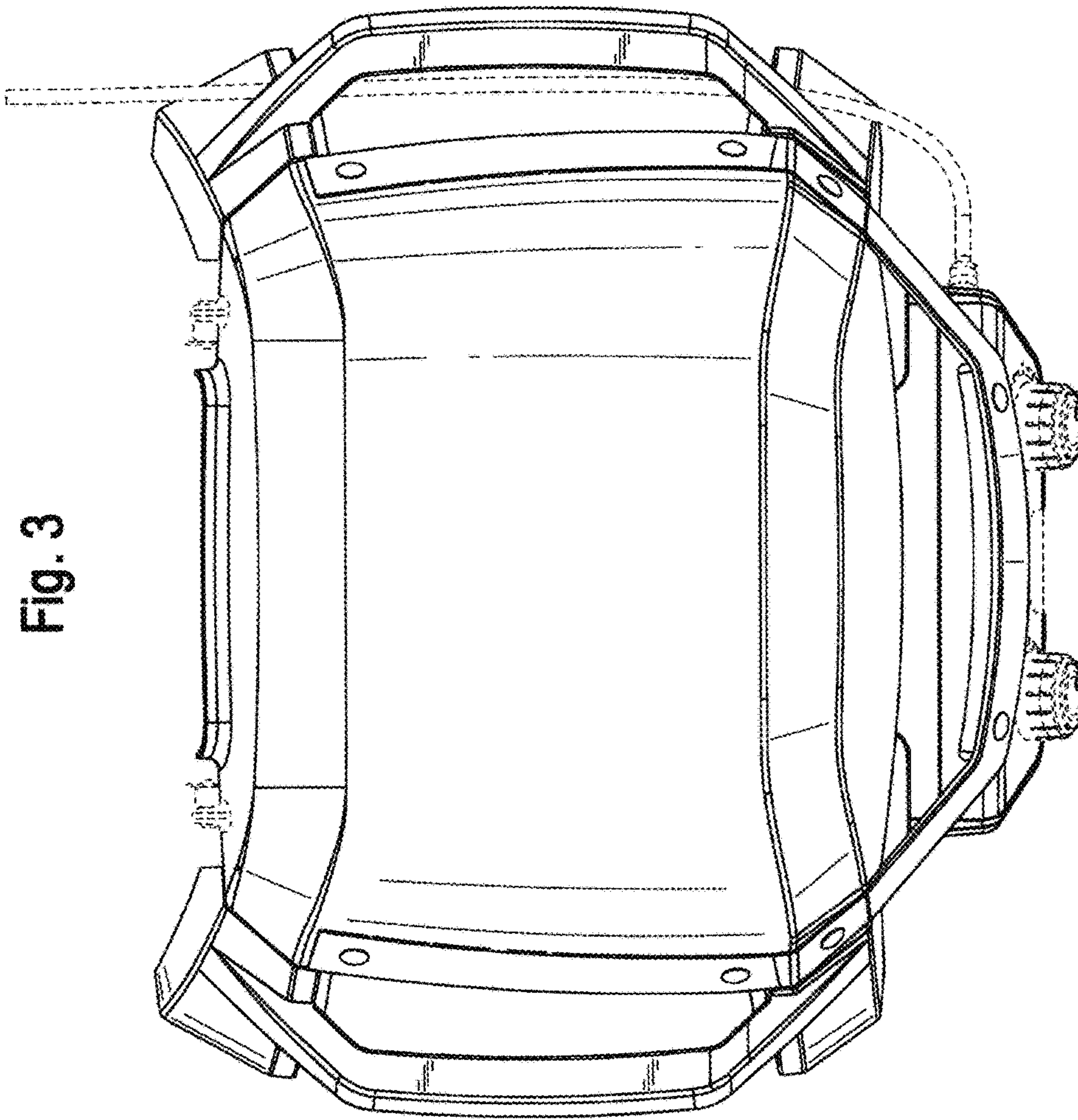


Fig. 3

Fig. 4

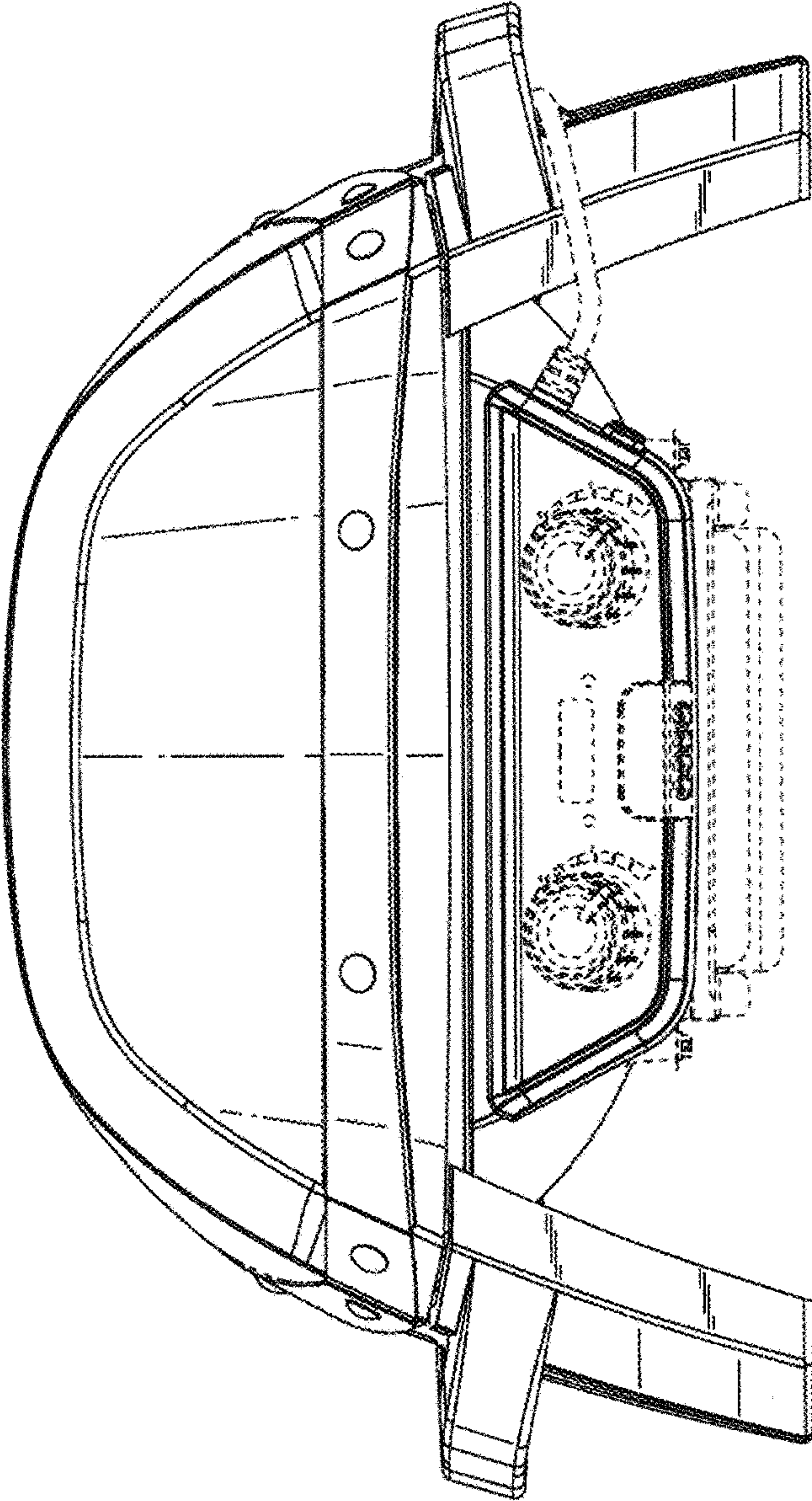


Fig. 5

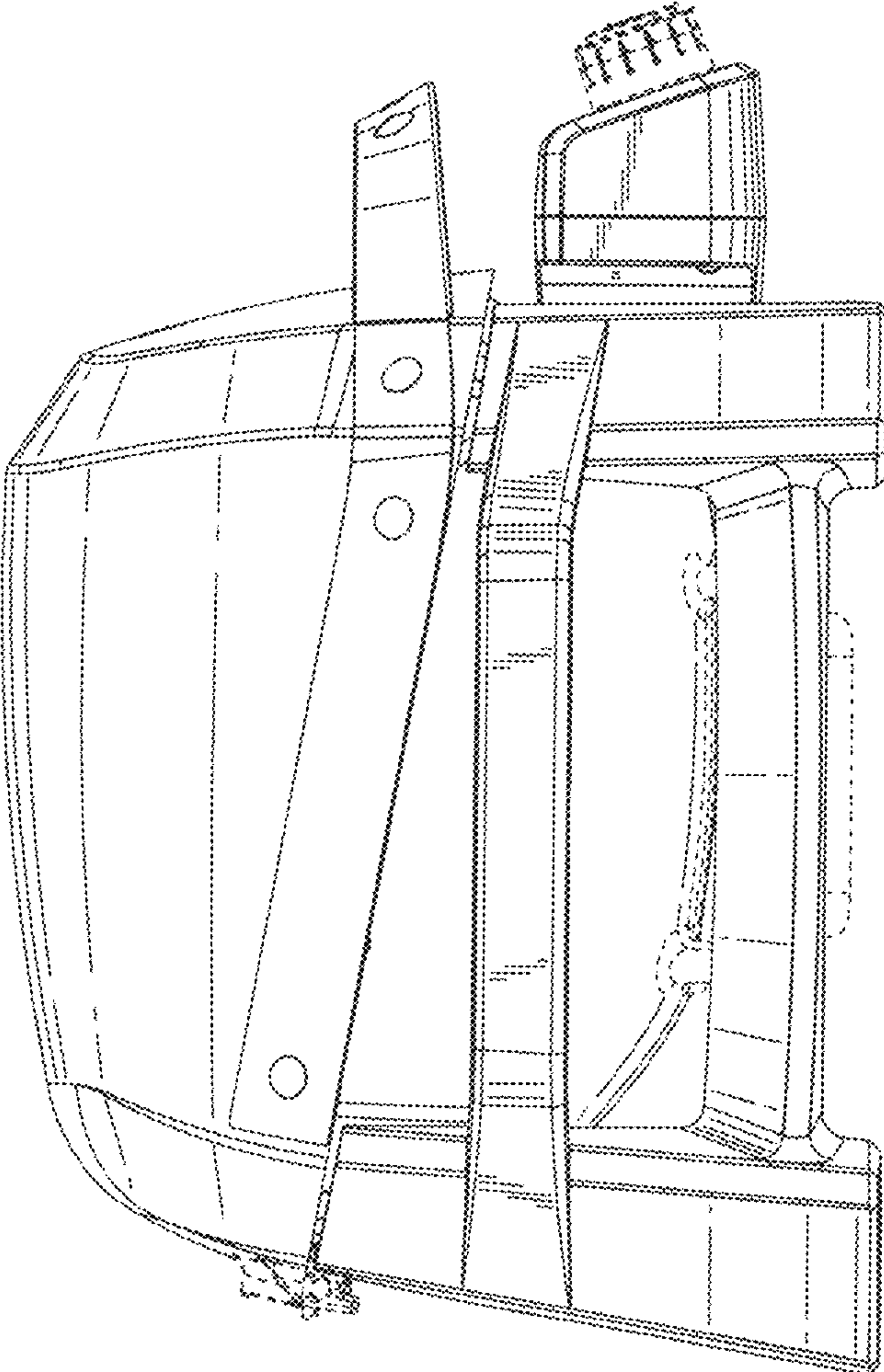


Fig. 6

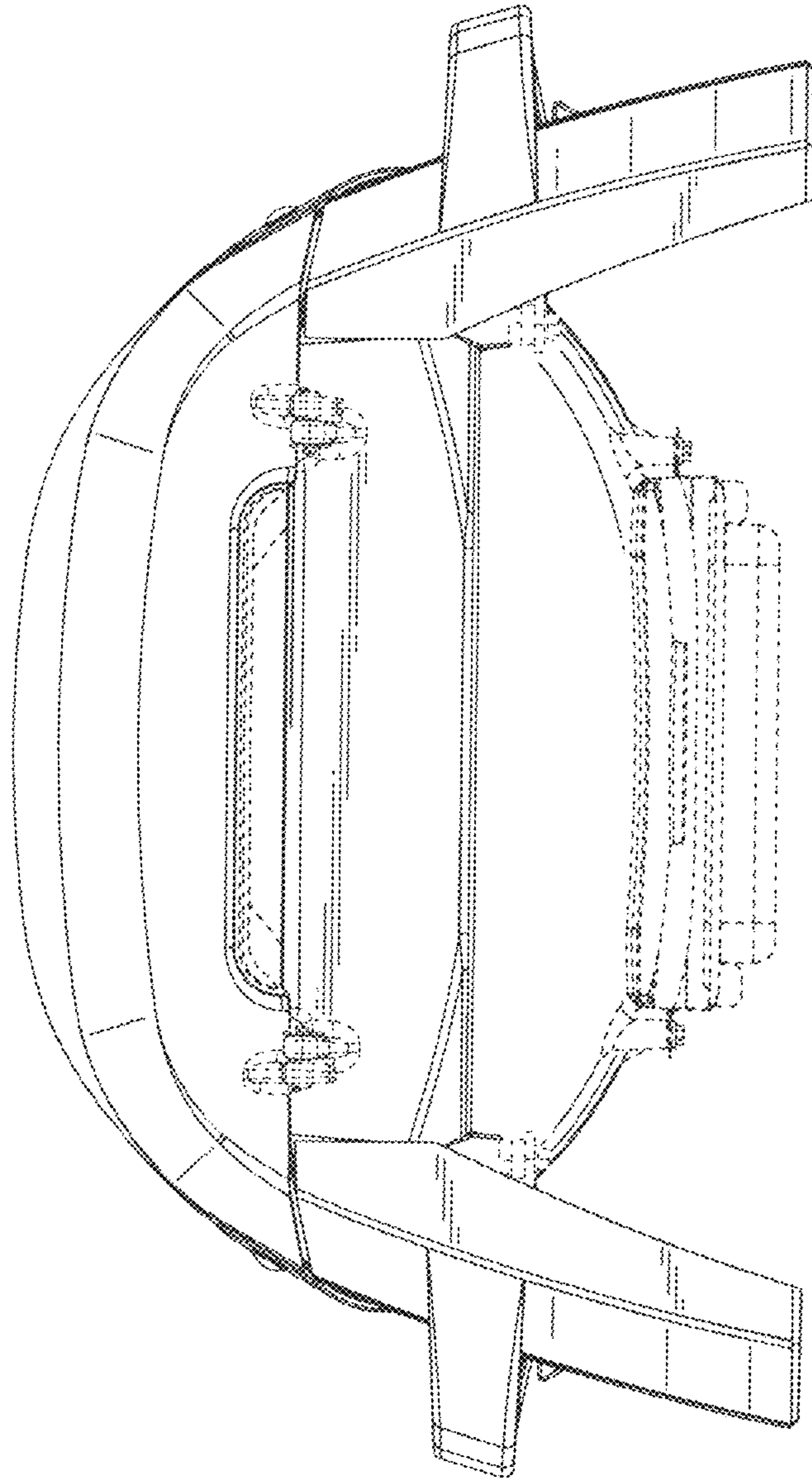
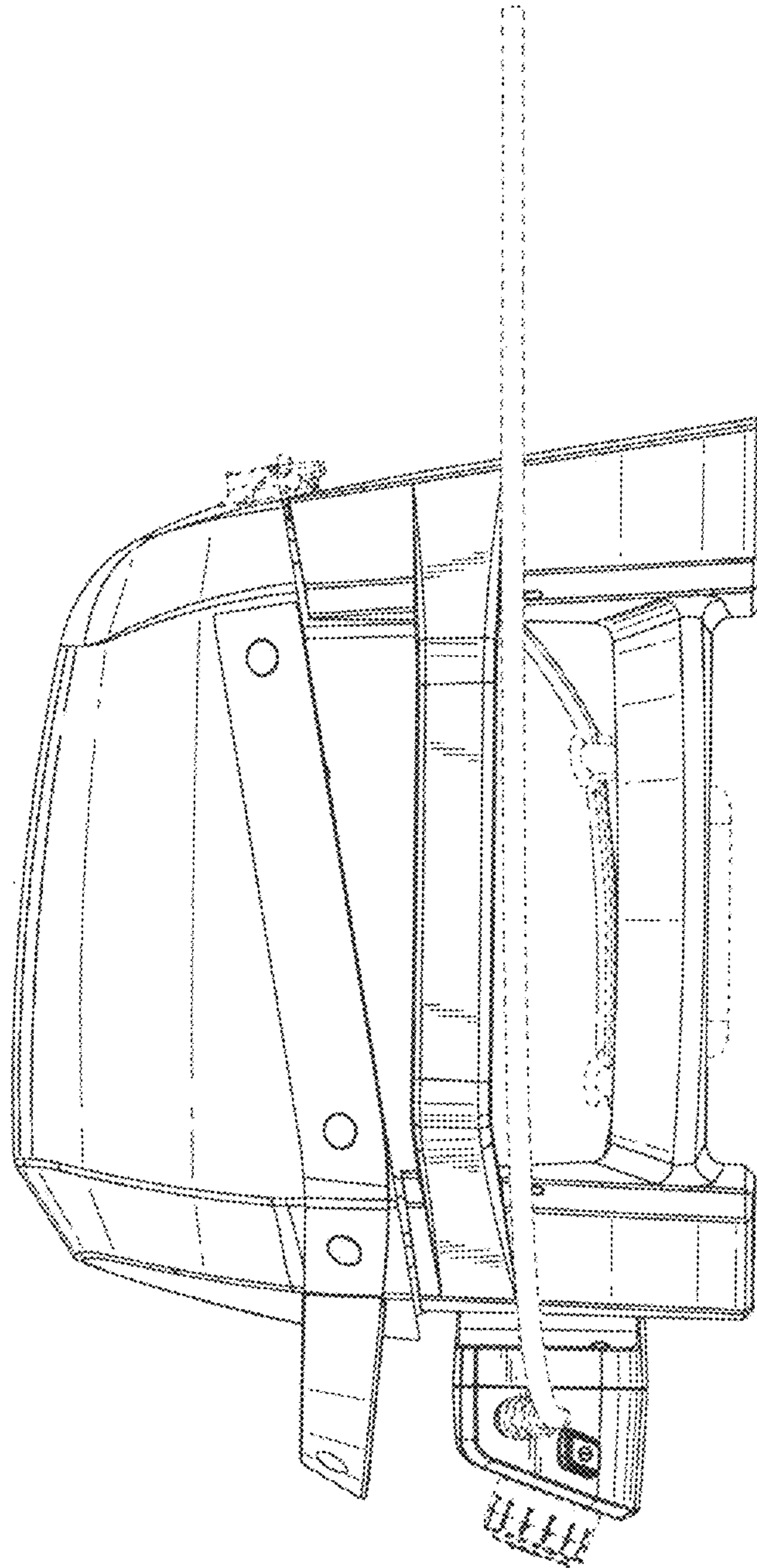


Fig. 7



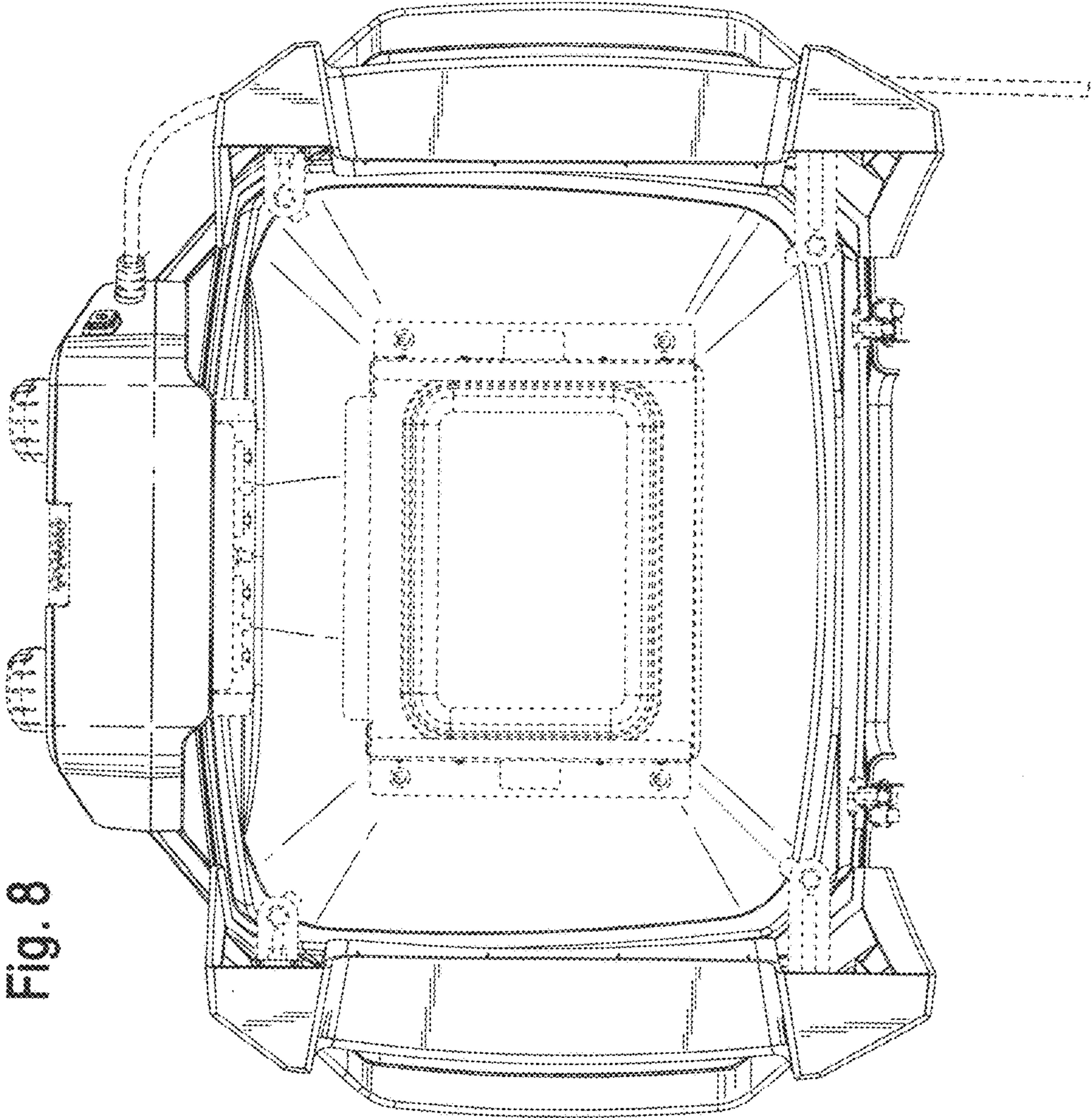


Fig. 8