



US00D844362S

(12) **United States Design Patent** (10) **Patent No.:** **US D844,362 S**
Davis et al. (45) **Date of Patent:** **** Apr. 2, 2019**

(54) **GRILL**
(71) Applicant: **W.C. BRADLEY CO.**, Columbus, GA (US)
(72) Inventors: **Mark Edward Davis**, Columbus, GA (US); **Jeffrey Raymond Juskowich**, Mableton, GA (US); **Brad Gillespie**, Midland, GA (US)

D714,090 S * 9/2014 Harper D7/334
D738,155 S * 9/2015 Chung D7/334
D753,430 S * 4/2016 Wagner D7/334
D792,733 S * 7/2017 Benson D7/334
2009/0308373 A1 12/2009 Scott et al.
2010/0258106 A1 10/2010 Simms, II
(Continued)

(73) Assignee: **W.C. Bradley Co.**, Columbus, GA (US)
(**) Term: **15 Years**

FOREIGN PATENT DOCUMENTS
KR 200179467 4/2000
WO WO2013116946 A1 8/2013
(Continued)

(21) Appl. No.: **29/593,130**
(22) Filed: **Feb. 6, 2017**

OTHER PUBLICATIONS
Product page for "Gateway Drum Smoker", available at <http://www.gatewaydrumsmokers.com>.

Related U.S. Application Data

(63) Continuation of application No. 15/352,167, filed on Nov. 15, 2016.

Primary Examiner — Brett Miller
(74) *Attorney, Agent, or Firm* — David G. Woodral; GableGotwals

(51) **LOC (11) Cl.** **07-02**
(52) **U.S. Cl.**
USPC **D7/334**

(57) **CLAIM**
The ornamental design for a grill, as shown and described.

(58) **Field of Classification Search**
USPC D7/332-337, 402-405
CPC A47J 37/0704; A47J 37/04; A47J 37/067; A47J 37/0731; A47J 37/0763; A47J 2037/0777; A47J 37/0713; A47J 37/0786; A47J 37/0682; A47J 37/0676; A23B 4/044; A23B 4/052; F24B 1/181
See application file for complete search history.

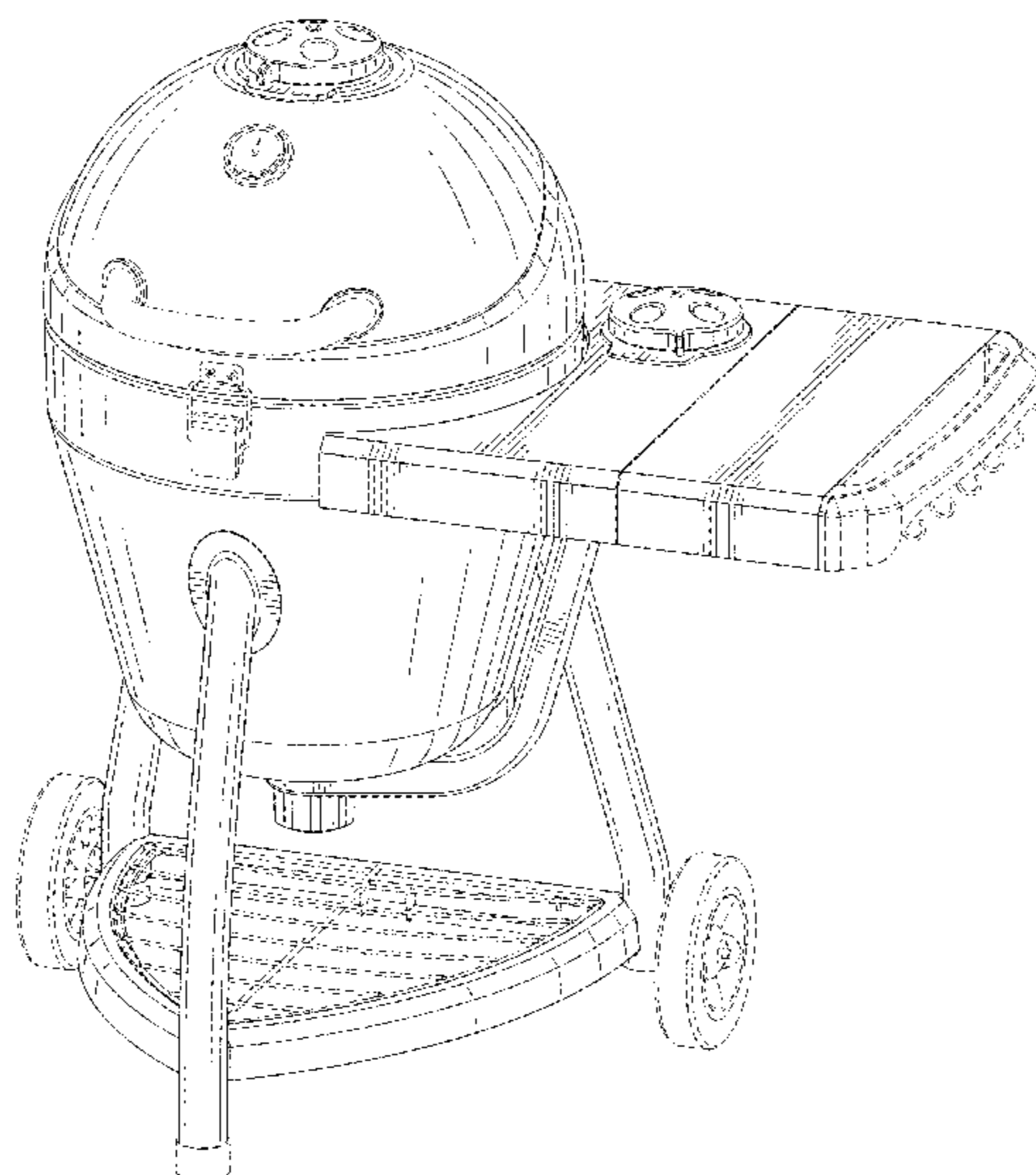
DESCRIPTION

FIG. 1 is a left front perspective view of the grill of the invention.
FIG. 2 is a front elevational view of the grill of the invention.
FIG. 3 is a rear elevational view of the grill of the invention.
FIG. 4 is a left elevational view of the grill of the invention.
FIG. 5 is a right elevational view of the grill of the invention.
FIG. 6 is a superior view of the grill of the invention; and, FIG. 7 is an inferior view of the grill of the invention.
The broken lines depict portions of the grill that form no part of the claim.

(56) **References Cited**
U.S. PATENT DOCUMENTS

D223,042 S * 2/1972 Wilkinson D7/334
D471,056 S * 3/2003 Pai D7/334
6,598,598 B1 7/2003 Bratsikas

1 Claim, 6 Drawing Sheets



(56)

References Cited

U.S. PATENT DOCUMENTS

2011/0283990 A1* 11/2011 Walters A47J 37/0704
126/25 R
2016/0135645 A1* 5/2016 Walters A47J 37/0786
126/25 R

FOREIGN PATENT DOCUMENTS

WO WO2014194311 A1 12/2014
WO PCT/US2016/062742 1/2017

* cited by examiner

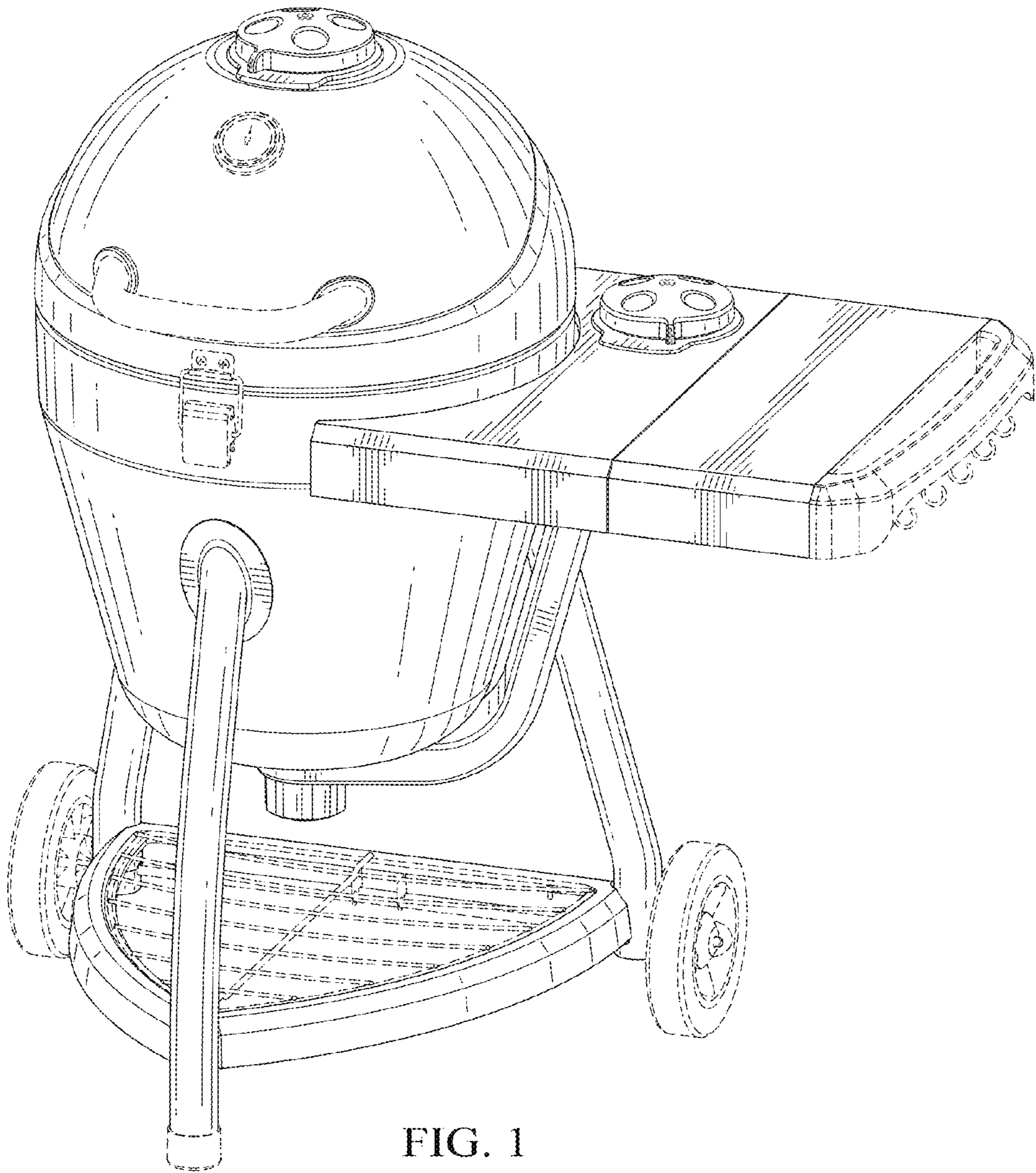


FIG. 1

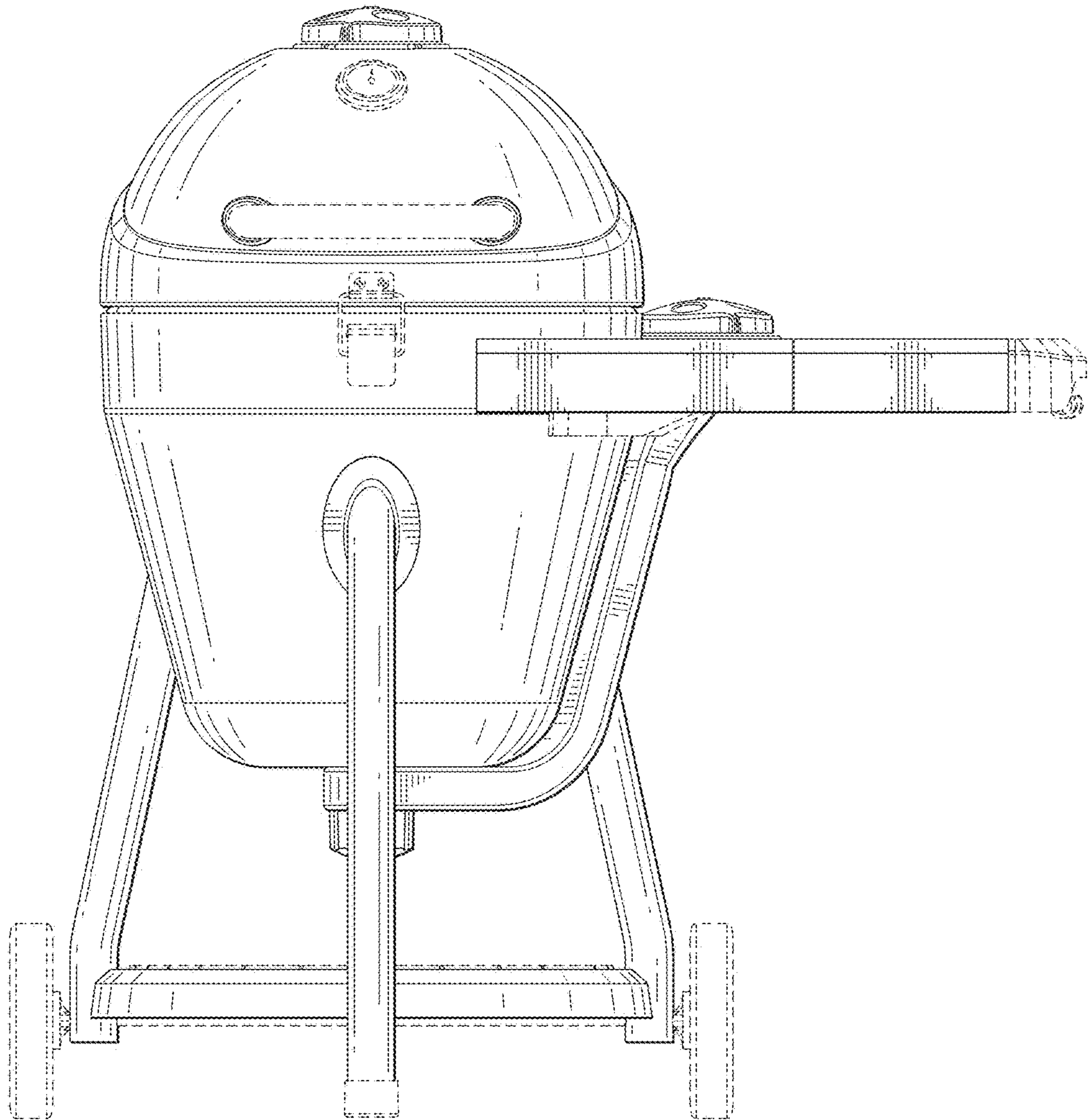


FIG. 2

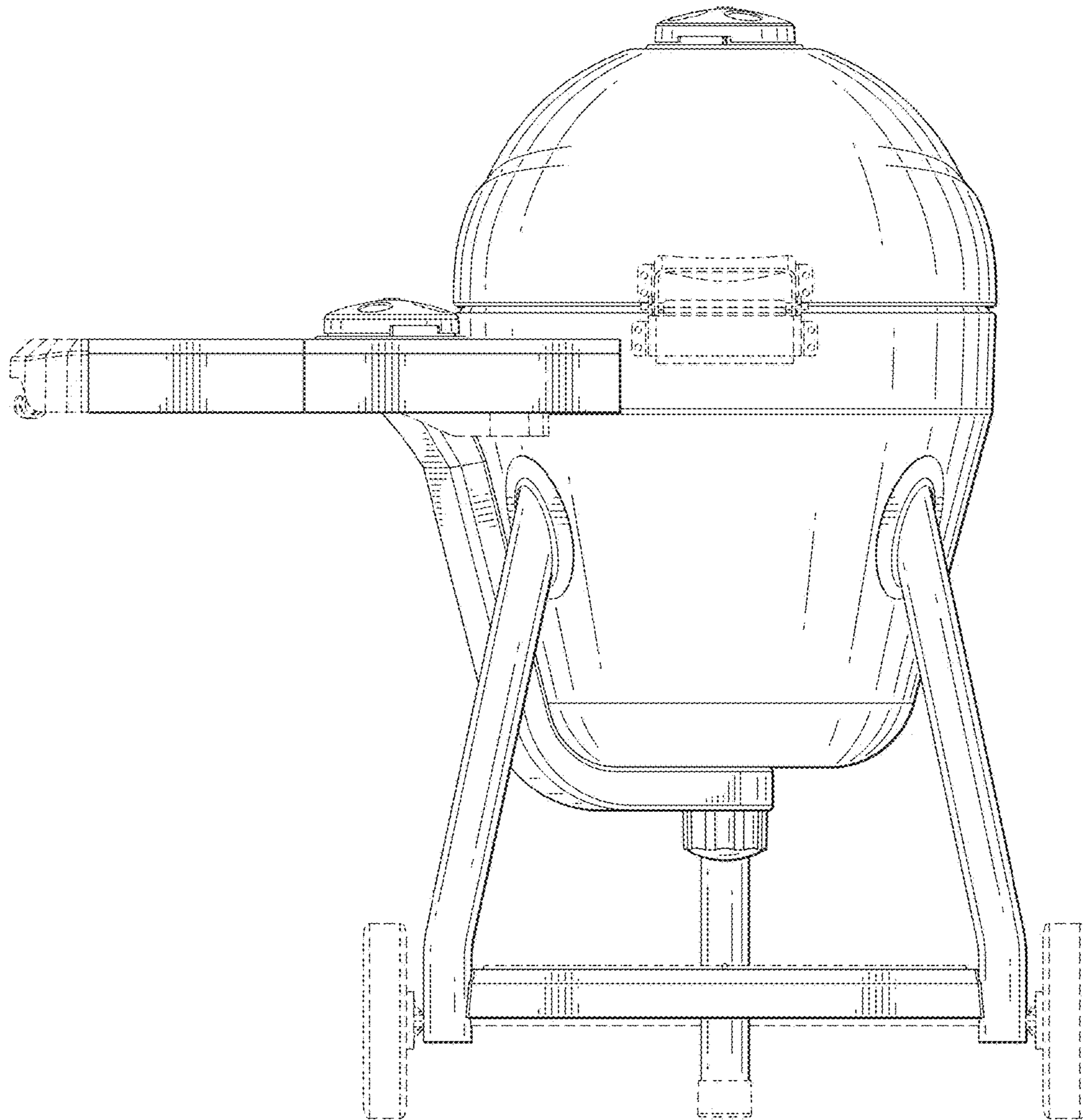


FIG. 3

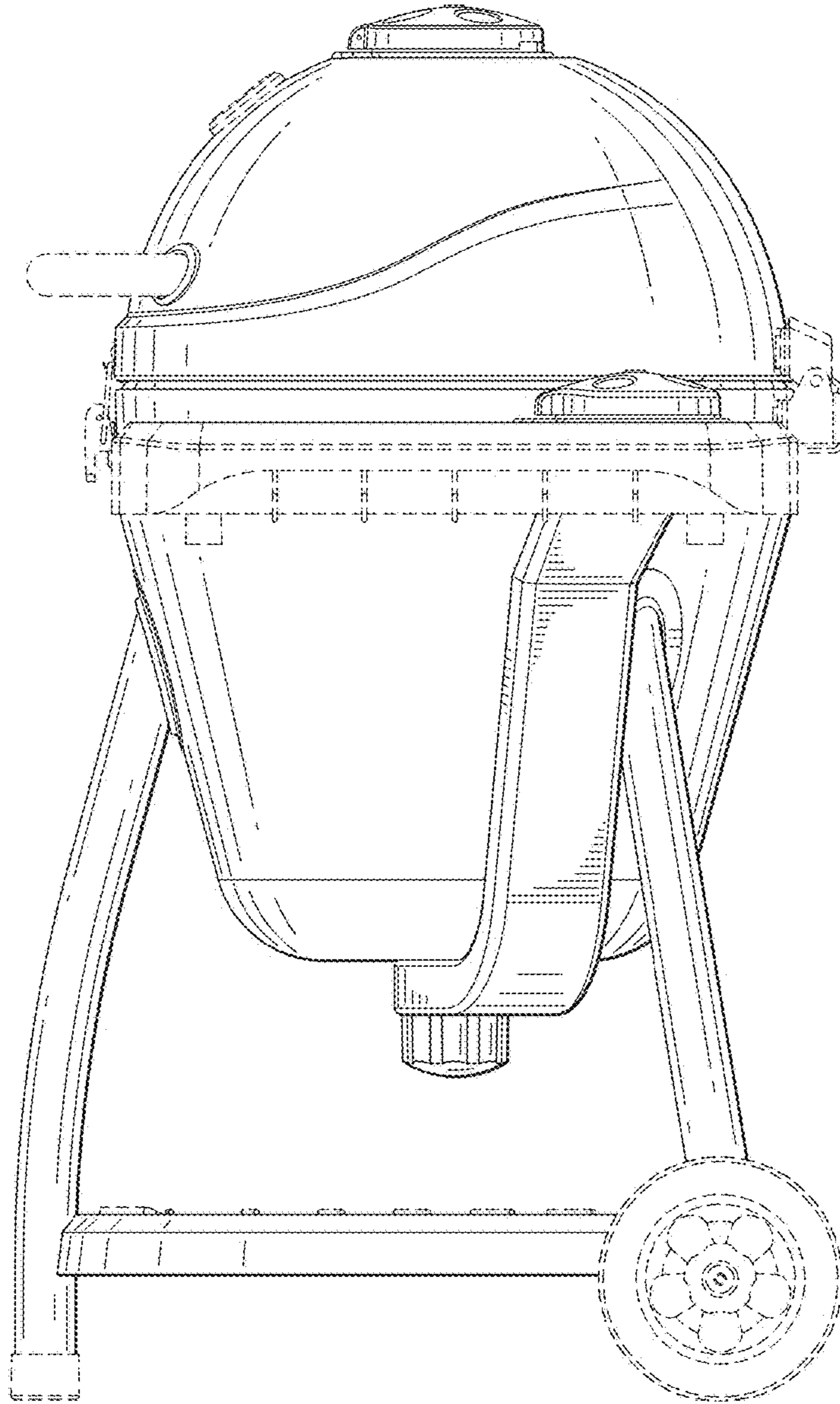


FIG. 4

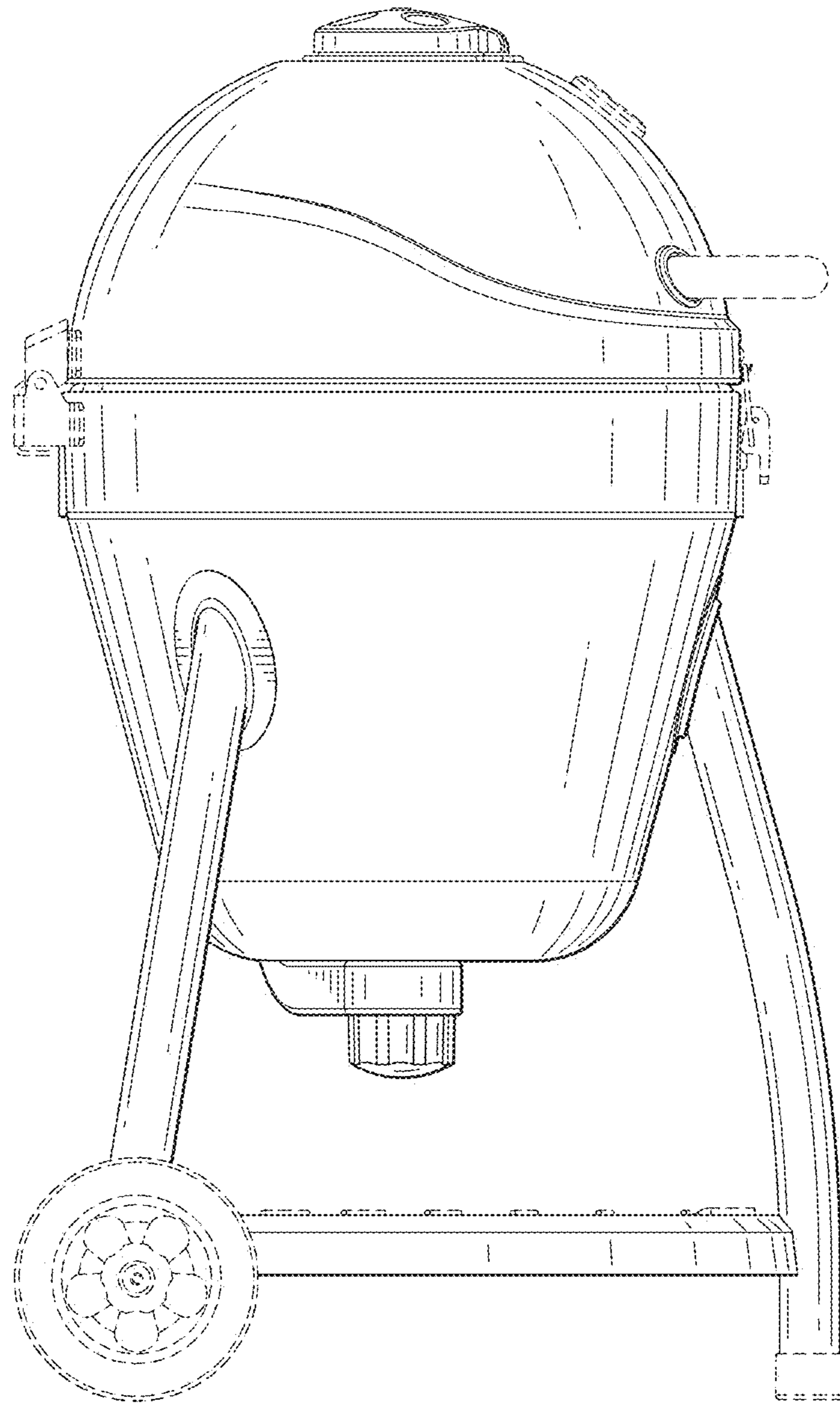


FIG. 5

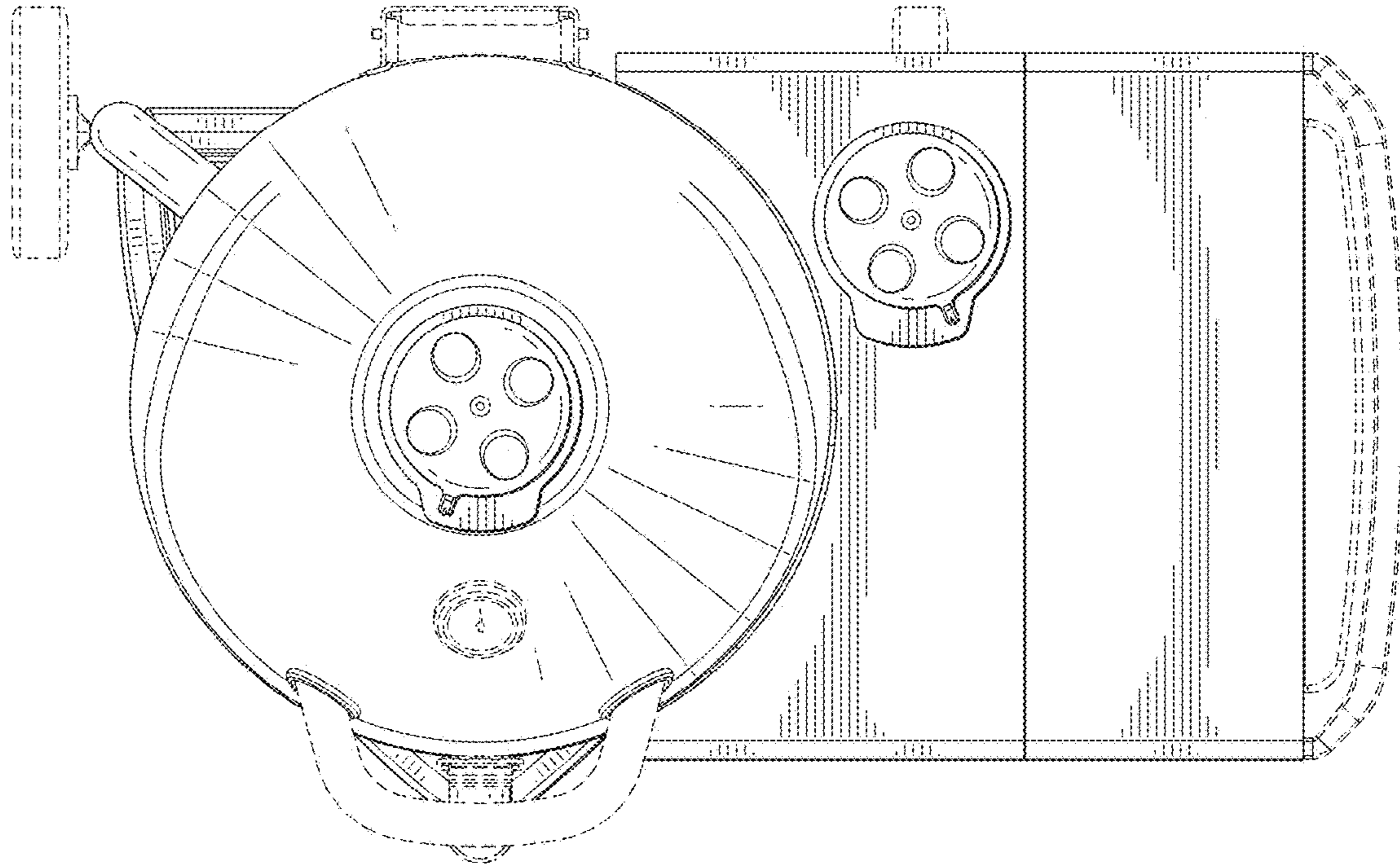


FIG. 6

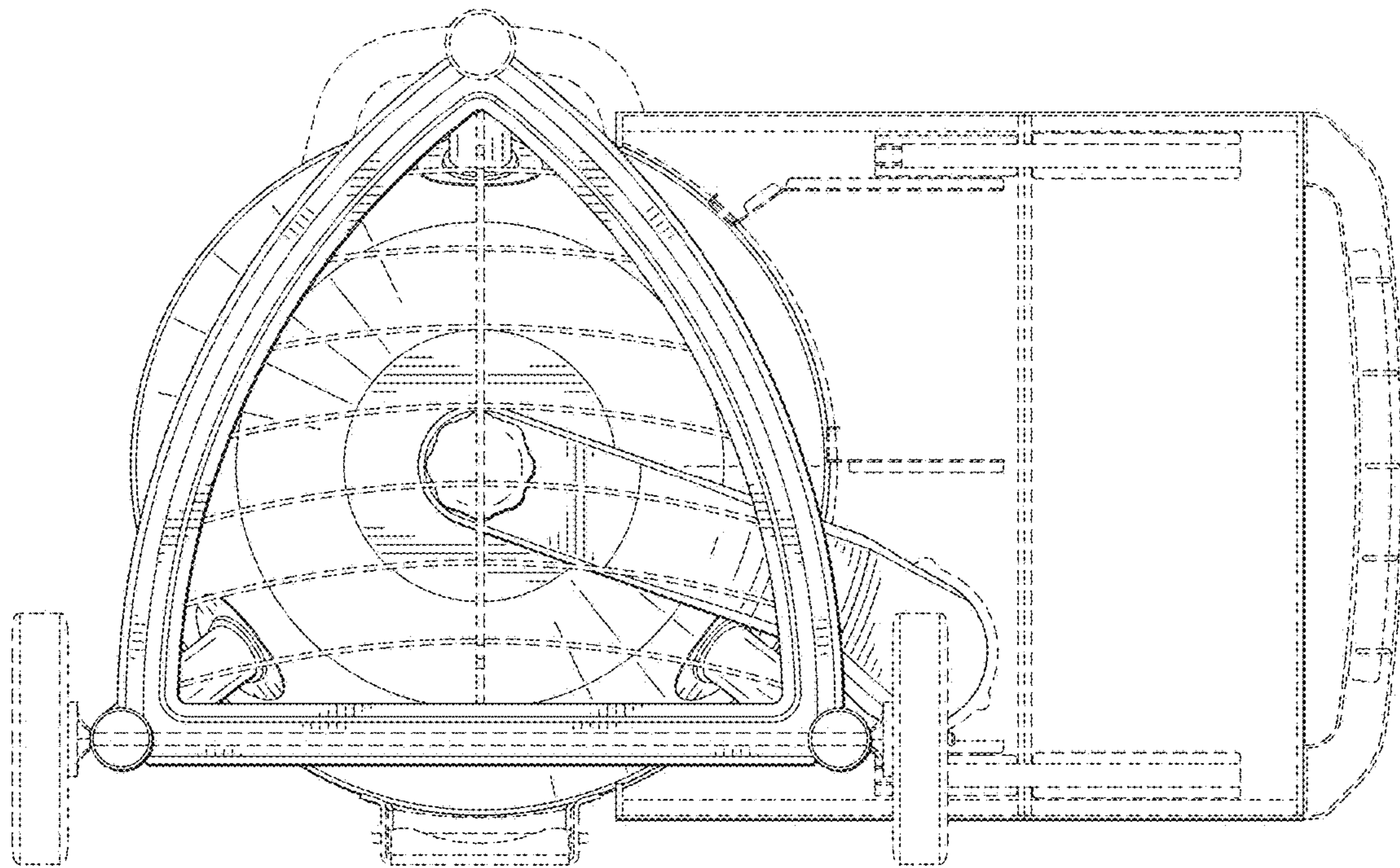


FIG. 7