



US00D844361S

(12) **United States Design Patent**
Chung

(10) **Patent No.:** **US D844,361 S**

(45) **Date of Patent:** **** Apr. 2, 2019**

(54) **BARBECUE GRILL**
(71) Applicant: **Kiosky Chung**, Taichung (TW)
(72) Inventor: **Kiosky Chung**, Taichung (TW)
(**) Term: **15 Years**

| | | | | |
|-------------------|--------|--------|-------|--------------------------|
| D618,483 S * | 6/2010 | Chung | | D7/334 |
| D677,111 S * | 3/2013 | Chung | | D7/337 |
| D687,669 S * | 8/2013 | Chung | | D7/334 |
| D709,315 S * | 7/2014 | Witzel | | D7/332 |
| D712,191 S * | 9/2014 | Chung | | D7/334 |
| D723,321 S * | 3/2015 | Chung | | D7/334 |
| D726,491 S * | 4/2015 | Witzel | | D7/334 |
| 2012/0037143 A1 * | 2/2012 | Chung | | A47J 37/0704 126/25 R |

(21) Appl. No.: **29/586,694**
(22) Filed: **Dec. 6, 2016**
(51) **LOC (11) Cl.** **07-02**
(52) **U.S. Cl.**
USPC **D7/334**
(58) **Field of Classification Search**
USPC D7/332-337, 402-411; 126/152 R, 25 R
CPC .. A47J 37/067; A47J 37/0694; A47J 37/0786;
A47J 37/0704; A47J 37/0713; A47J
37/0781; A47J 37/0777; A47J 37/0763;
A47J 37/0611; A47J 37/0709; A47J
37/0676; F24C 15/16
See application file for complete search history.

* cited by examiner

Primary Examiner — Brett Miller

(57) **CLAIM**

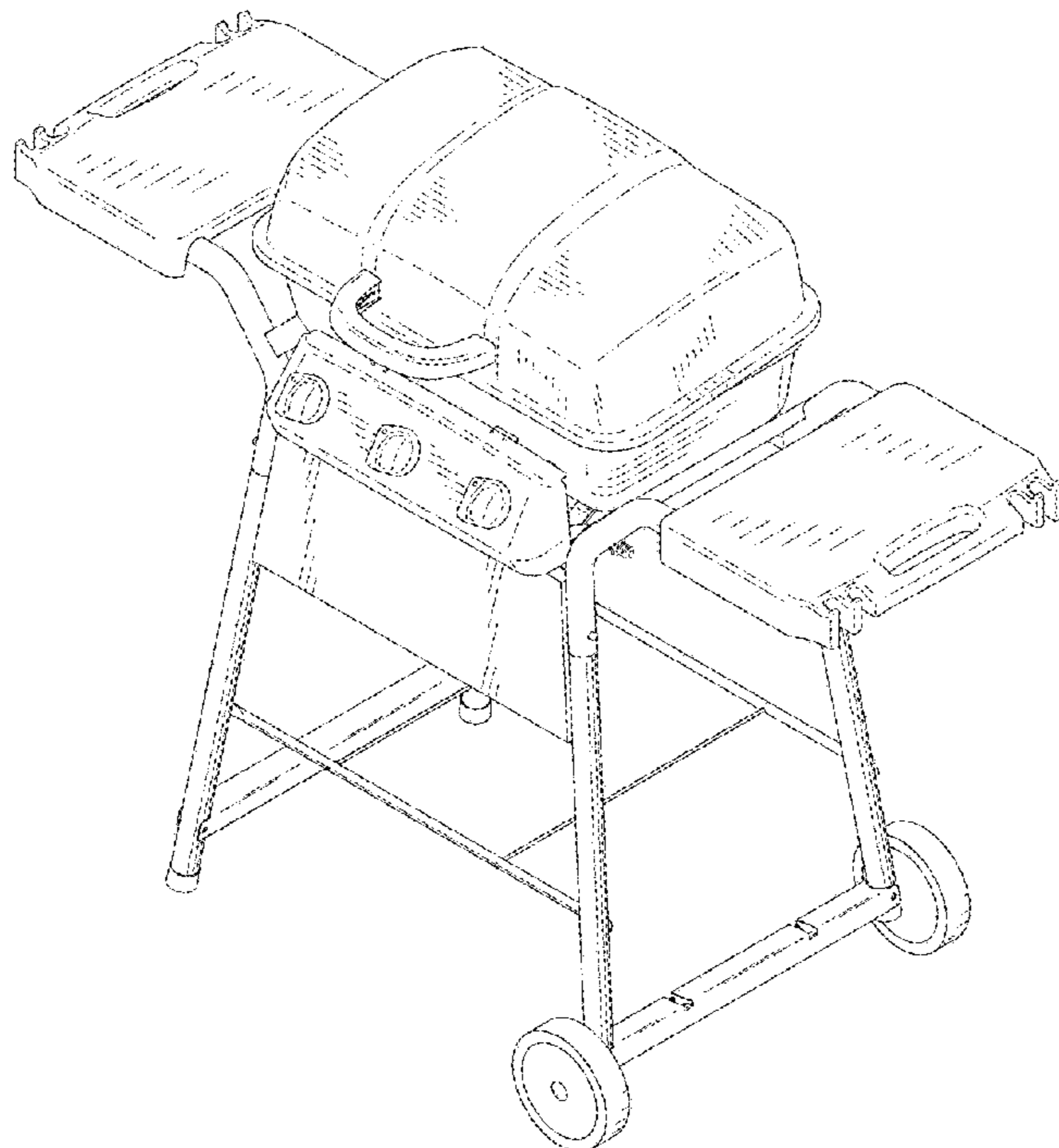
I claim the ornamental design for a barbecue grill, as shown and described.

DESCRIPTION

FIG. 1 is a perspective view of barbecue grill in accordance with the preferred embodiment of the present invention, showing my design;
FIG. 2 is a front elevational view thereof;
FIG. 3 is a rear elevational view thereof;
FIG. 4 is a left side elevational view thereof;
FIG. 5 is a right side elevational view thereof;
FIG. 6 is a top plan view thereof; and,
FIG. 7 is a bottom plan view thereof.
The broken lines shown in the drawings are for the purpose of illustrating unclaimed portions of the barbecue grill and form no part of the claimed design.

(56) **References Cited**
U.S. PATENT DOCUMENTS
6,422,230 B1 * 7/2002 Stewart A47J 37/0763
126/25 R
D473,415 S * 4/2003 Yeh D7/337
D498,113 S * 11/2004 Zhang D7/332

1 Claim, 7 Drawing Sheets



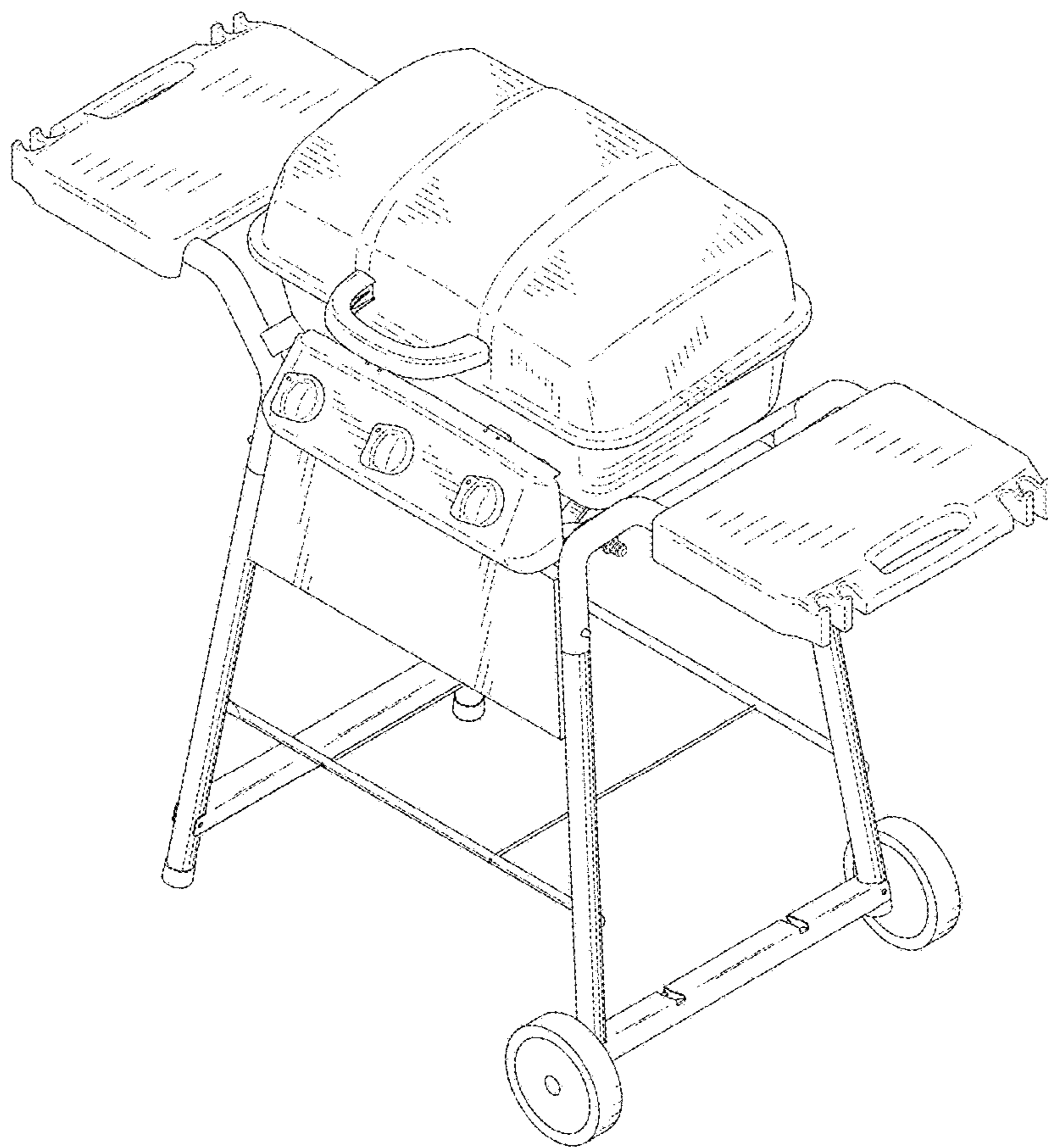


Fig. 1

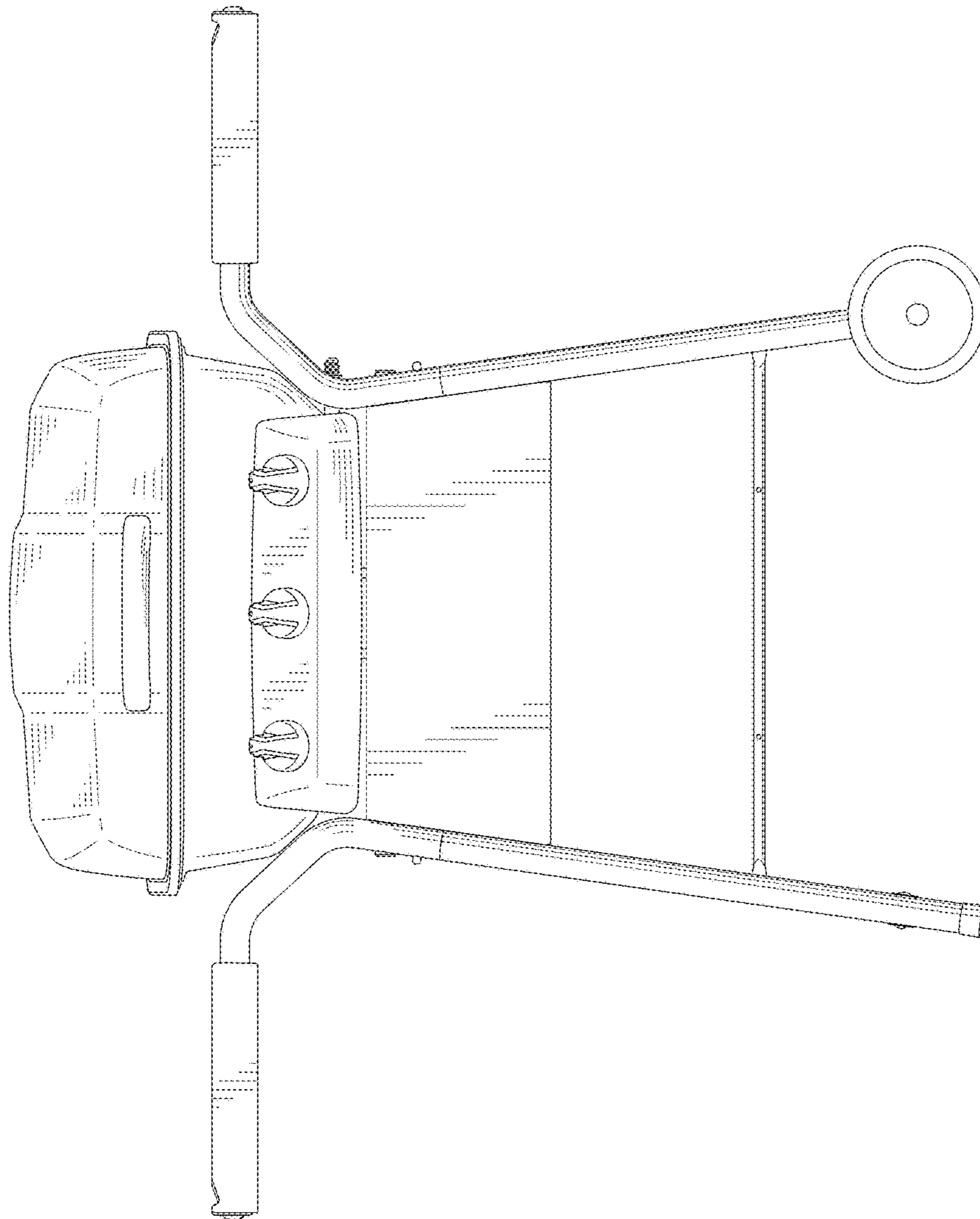


Fig. 2

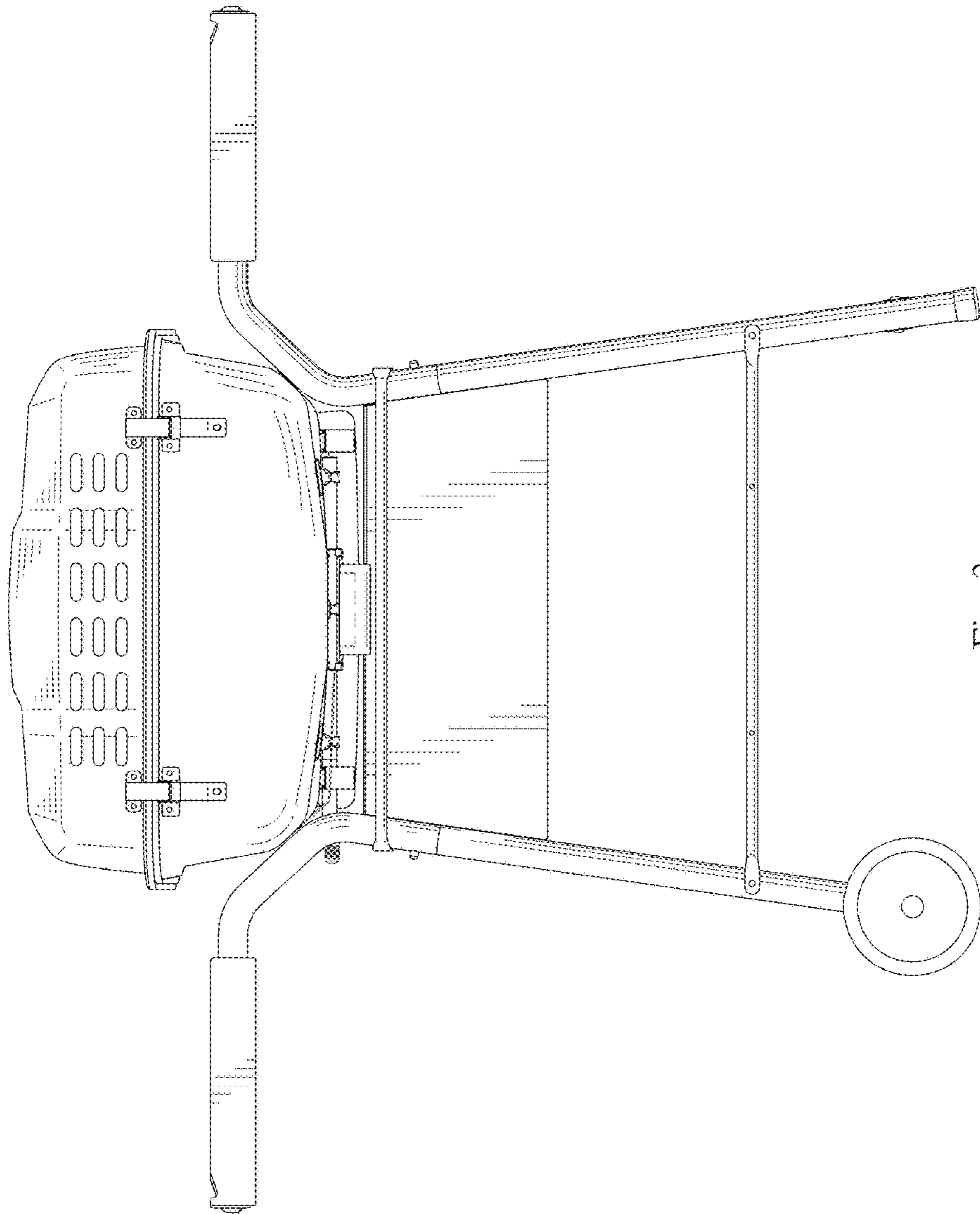


Fig. 3

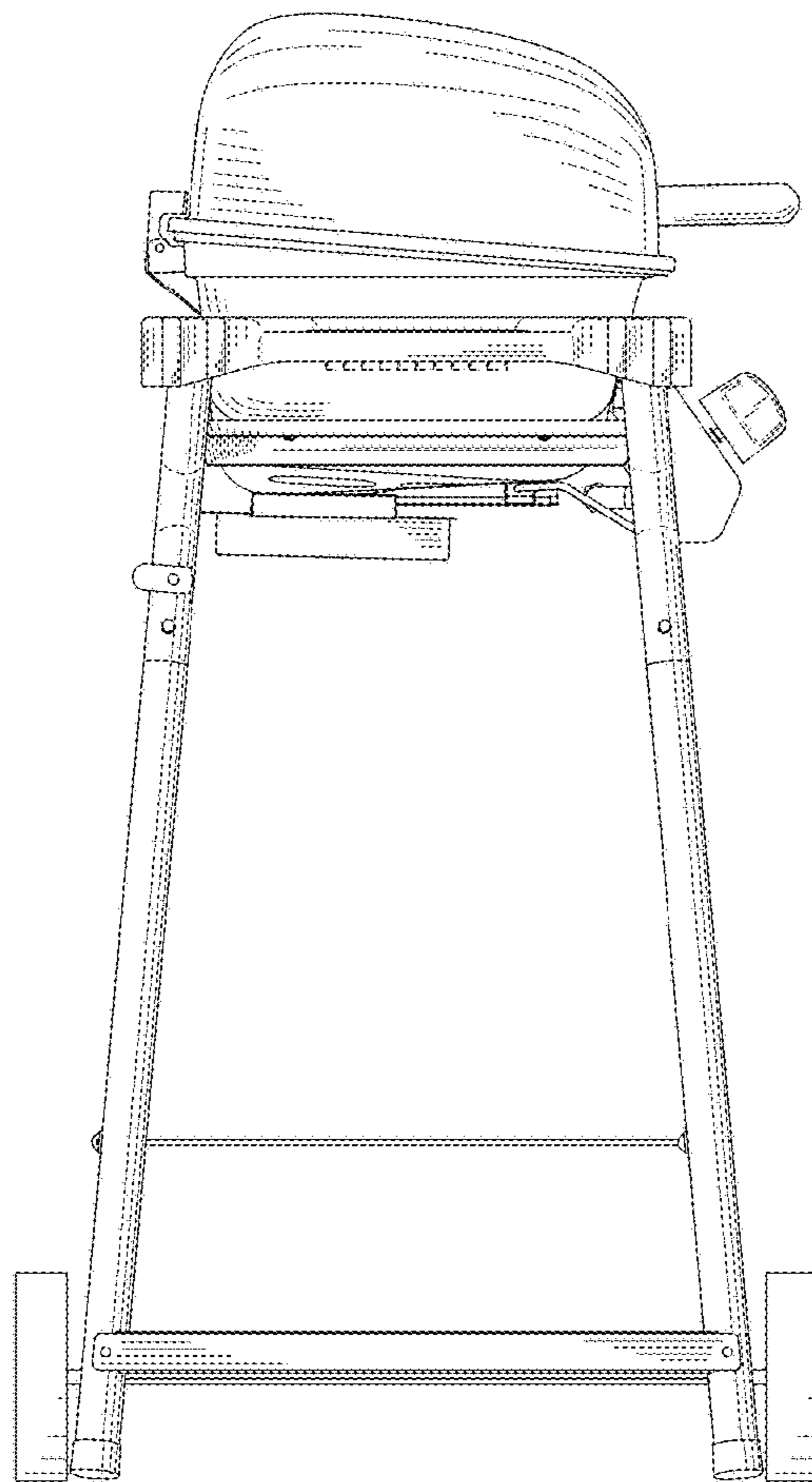


Fig. 4

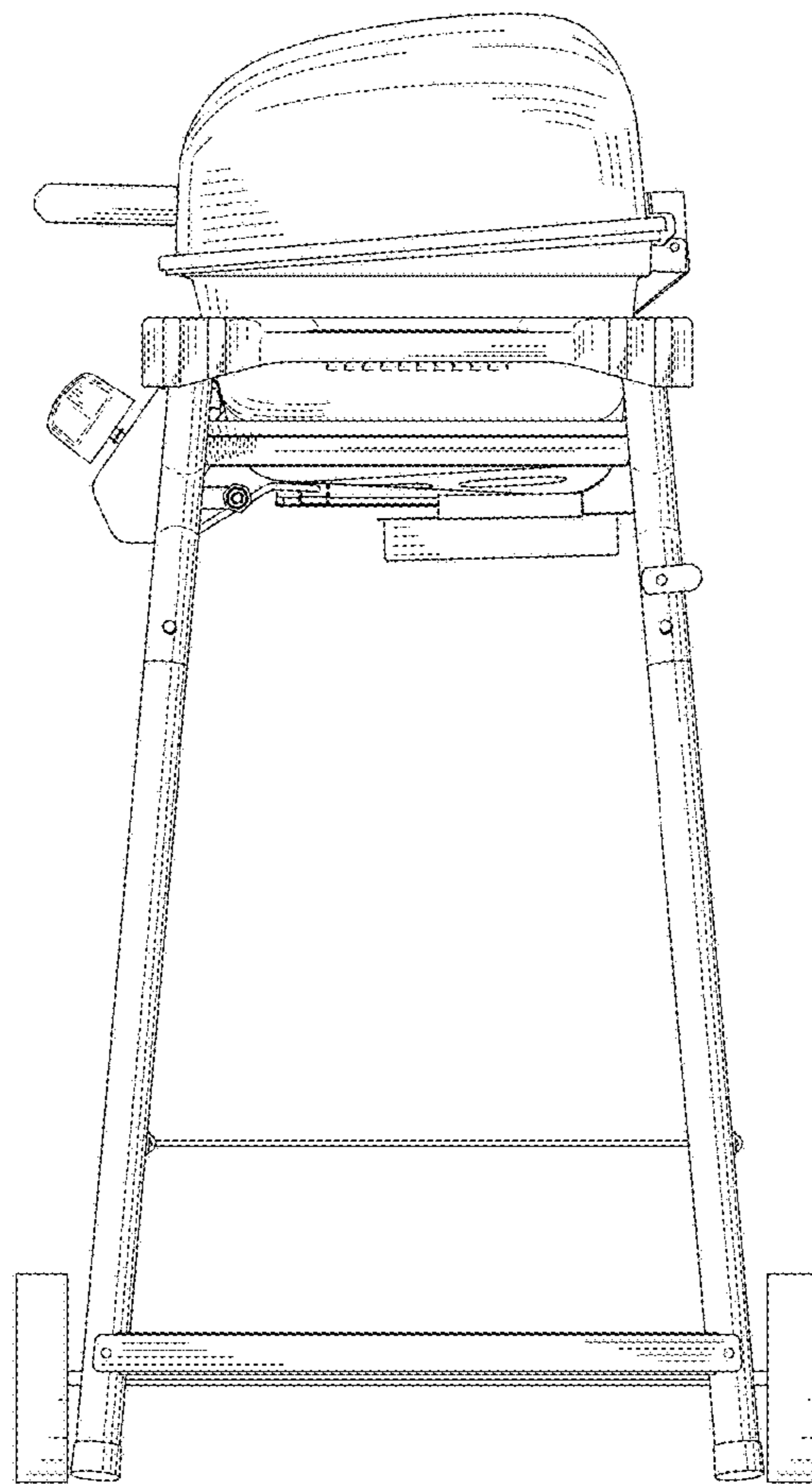


Fig. 5

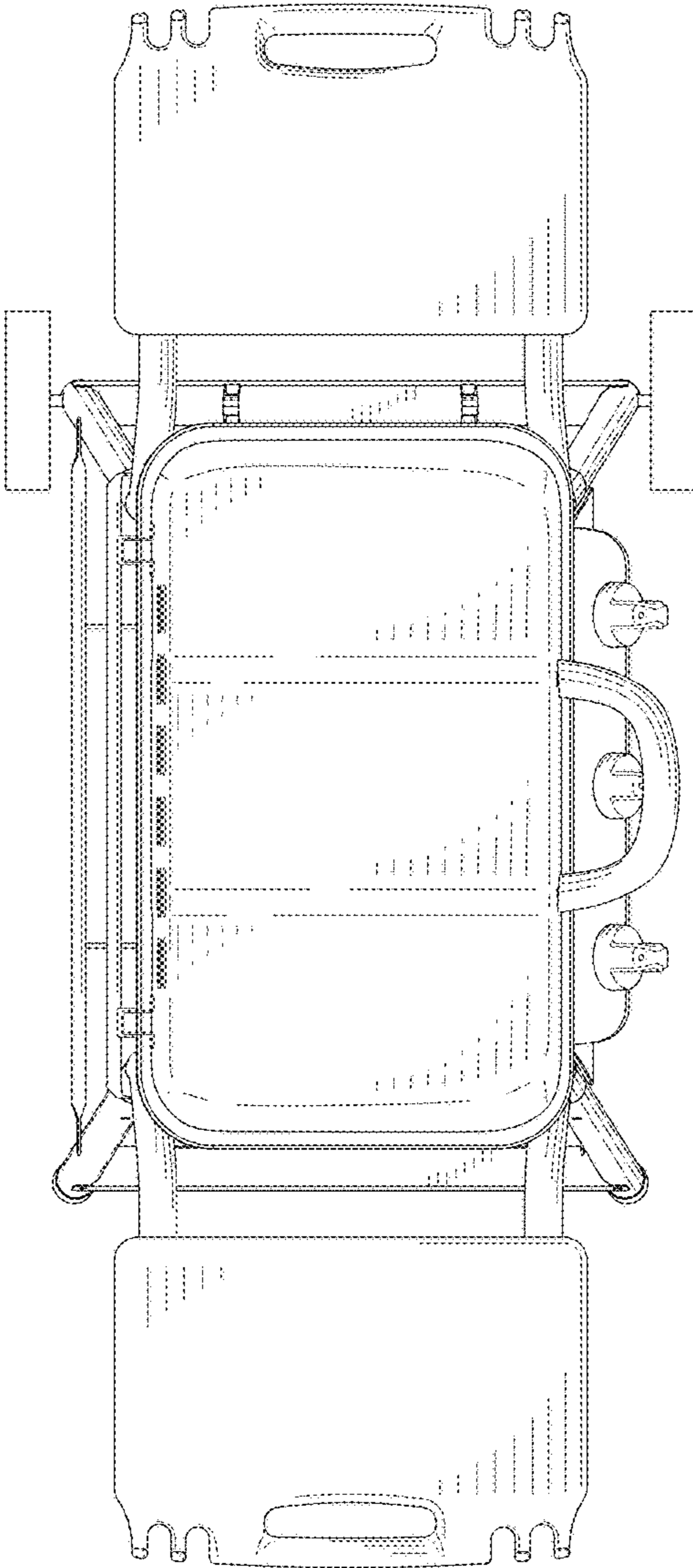


Fig. 6

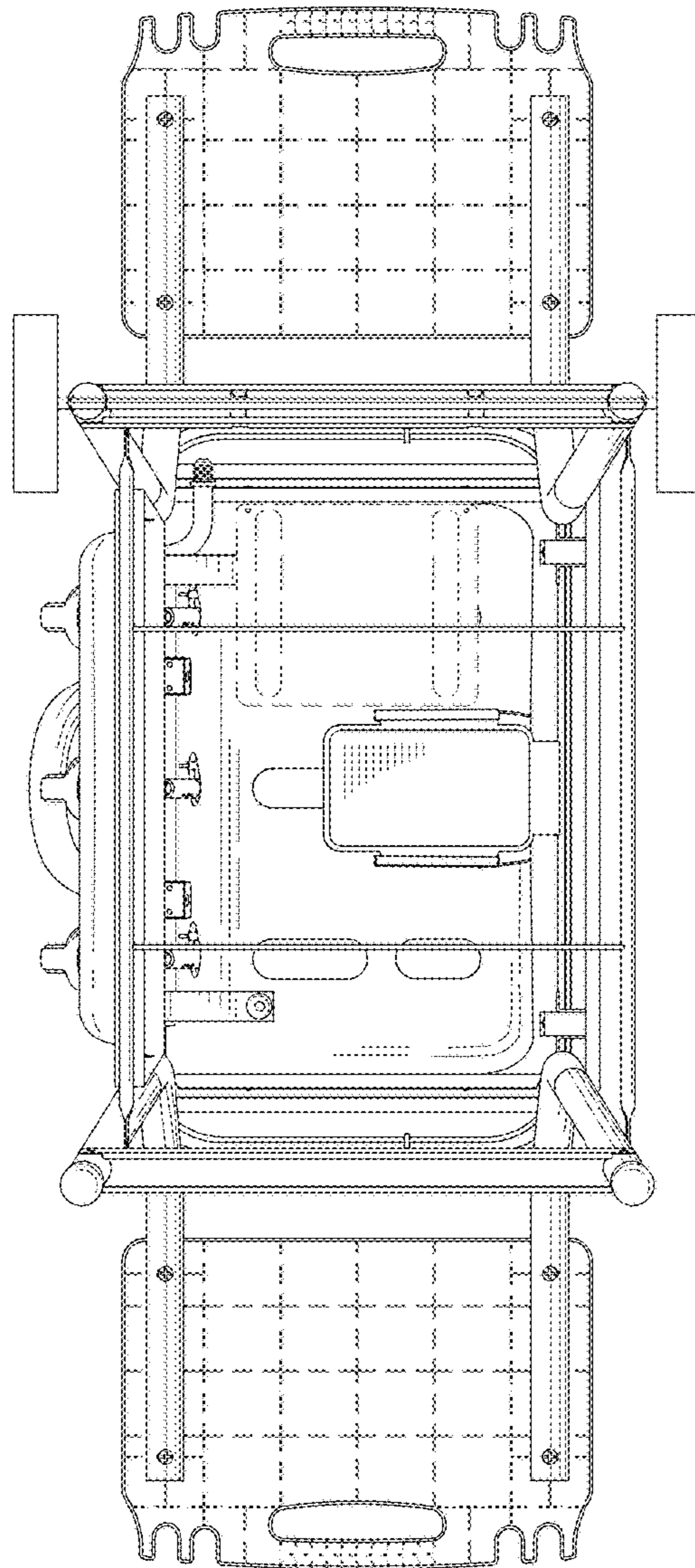


Fig. 7