



US00D844360S

(12) **United States Design Patent** (10) **Patent No.:** **US D844,360 S**
Hibiki (45) **Date of Patent:** **** Apr. 2, 2019**

(54) **APPARATUS FOR GRILLING SKEWERED FOOD**

(71) Applicant: **HIBIKI CO., LTD**, Saitama (JP)

(72) Inventor: **Yoshiharu Hibiki**, Saitama (JP)

(73) Assignee: **HIBIKI CO., LTD**, Saitama (JP)

(**) Term: **15 Years**

(21) Appl. No.: **29/537,020**

(22) Filed: **Aug. 21, 2015**

(30) **Foreign Application Priority Data**

Feb. 24, 2015 (EM) 002640193

(51) **LOC (11) Cl.** **07-02**

(52) **U.S. Cl.**
USPC **D7/334**

(58) **Field of Classification Search**

USPC D7/332-337, 402-411; 126/152 R, 25 R
CPC .. A47J 37/067; A47J 37/0694; A47J 37/0786;
A47J 37/0704; A47J 37/0713; A47J
37/0781; A47J 37/0777; A47J 37/0763;
A47J 37/0611; A47J 37/0709; A47J
37/0676; F24C 15/16

See application file for complete search history.

(56) **References Cited**

U.S. PATENT DOCUMENTS

3,103,161 A * 9/1963 Whitehead A47J 37/041
126/25 R
3,140,651 A * 7/1964 Barnett A47J 37/0718
126/25 R
4,150,610 A * 4/1979 Ferrara A47J 37/00
126/25 R

D260,723 S * 9/1981 Schifter D7/334
4,885,988 A * 12/1989 Lee A47J 37/0704
126/38
D383,356 S * 9/1997 Stuck D7/332
D570,151 S * 6/2008 Brunner D7/334
D769,667 S * 10/2016 Ting D7/332
2014/0174427 A1 * 6/2014 Yuen A47J 37/0781
126/25 R

* cited by examiner

Primary Examiner — Brett Miller

(74) *Attorney, Agent, or Firm* — SoCal IP Law Group
LLP; Steven C. Sereboff

(57) **CLAIM**

The ornamental design of an apparatus for grilling skewered food, as shown and described.

DESCRIPTION

A portion of the disclosure of this patent document contains material which is subject to copyright protection. This patent document may show and/or describe matter which is or may become trade dress of the owner. The copyright and trade dress owner has no objection to the facsimile reproduction by anyone of the patent disclosure as it appears in the Patent and Trademark Office patent files or records, but otherwise reserves all copyright and trade dress rights whatsoever.

FIG. 1 is a back elevation view of an apparatus for grilling skewered food;

FIG. 2 is a bottom plan view thereof;

FIG. 3 is a front elevation view with a grip pulled thereof;

FIG. 4 is a front elevation view without the grip thereof;

FIG. 5 is a left-side elevation view thereof;

FIG. 6 is a top plan view thereof;

FIG. 7 is a right-side elevation view thereof; and,

FIG. 8 is a perspective view.

The broken lines depict portions of the apparatus that form no part of the claimed design.

1 Claim, 7 Drawing Sheets

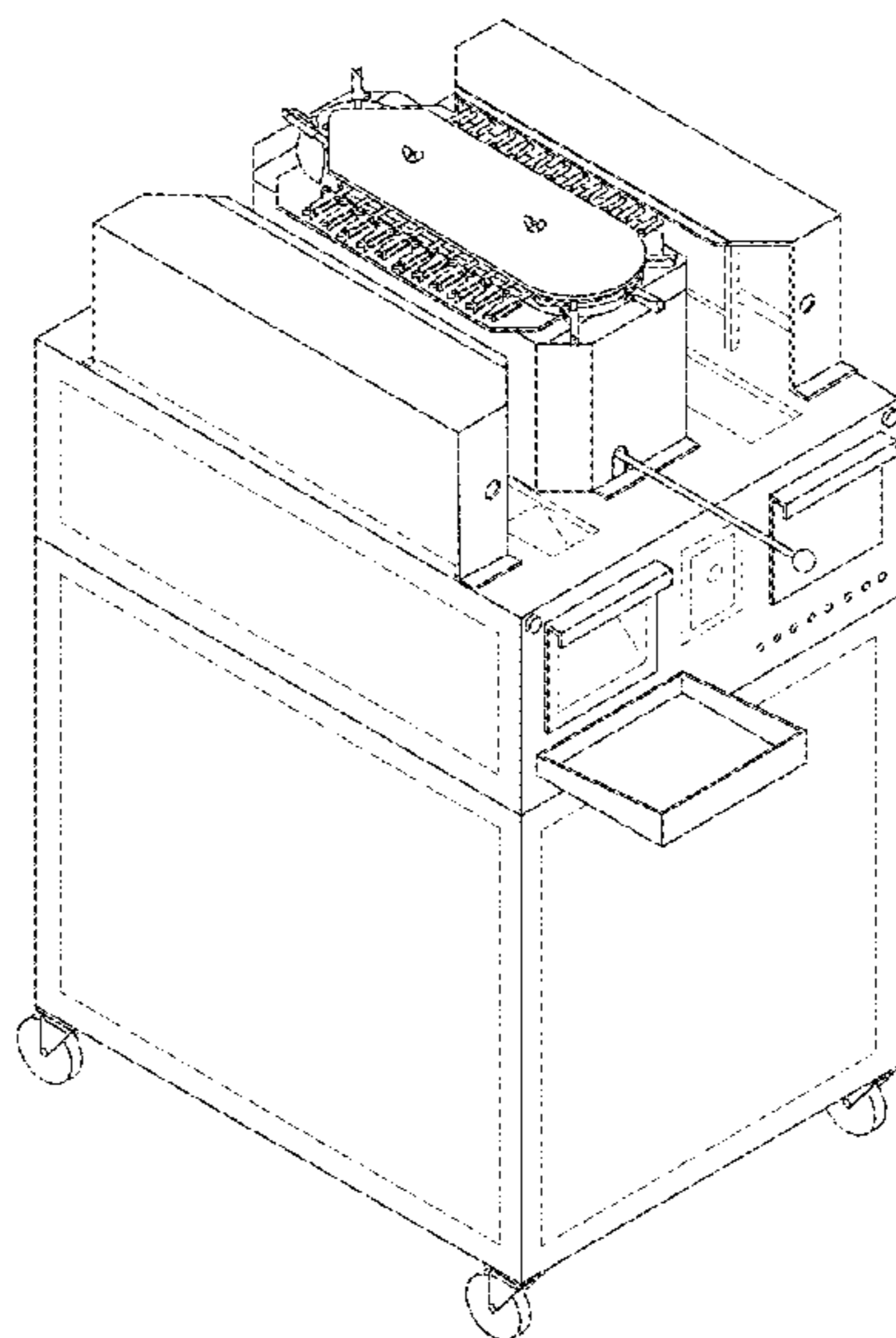


FIG.1

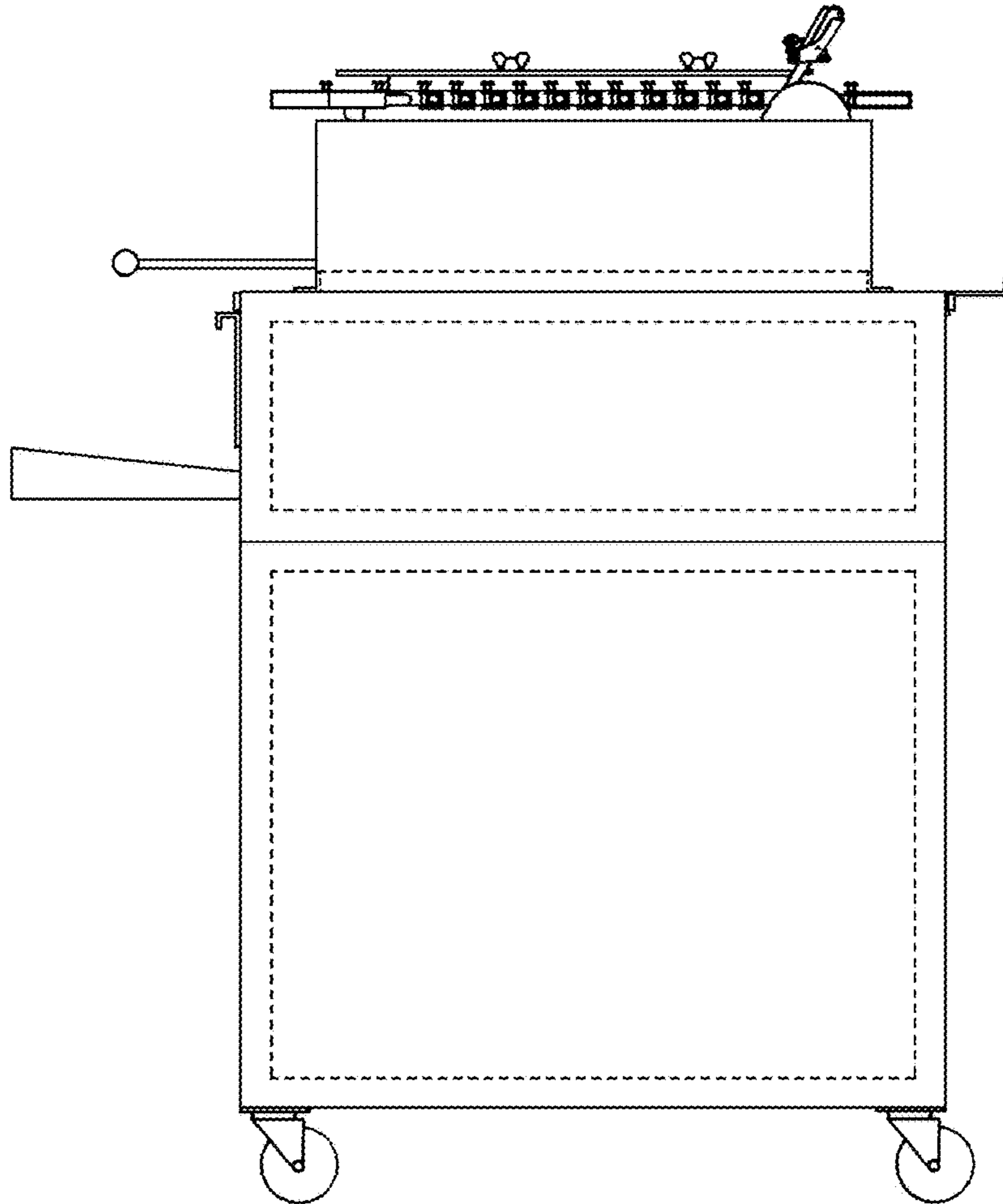


FIG.2

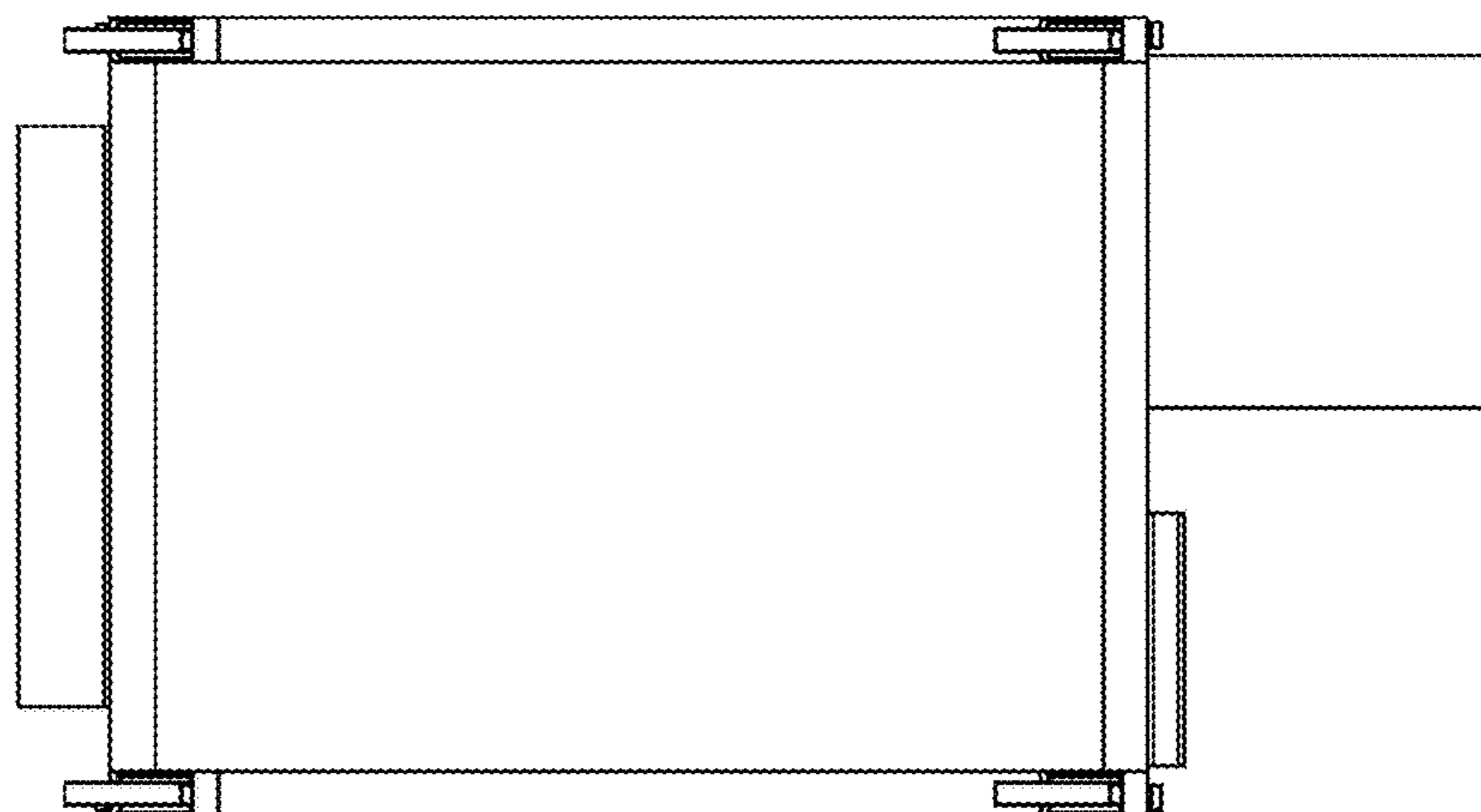


FIG. 3

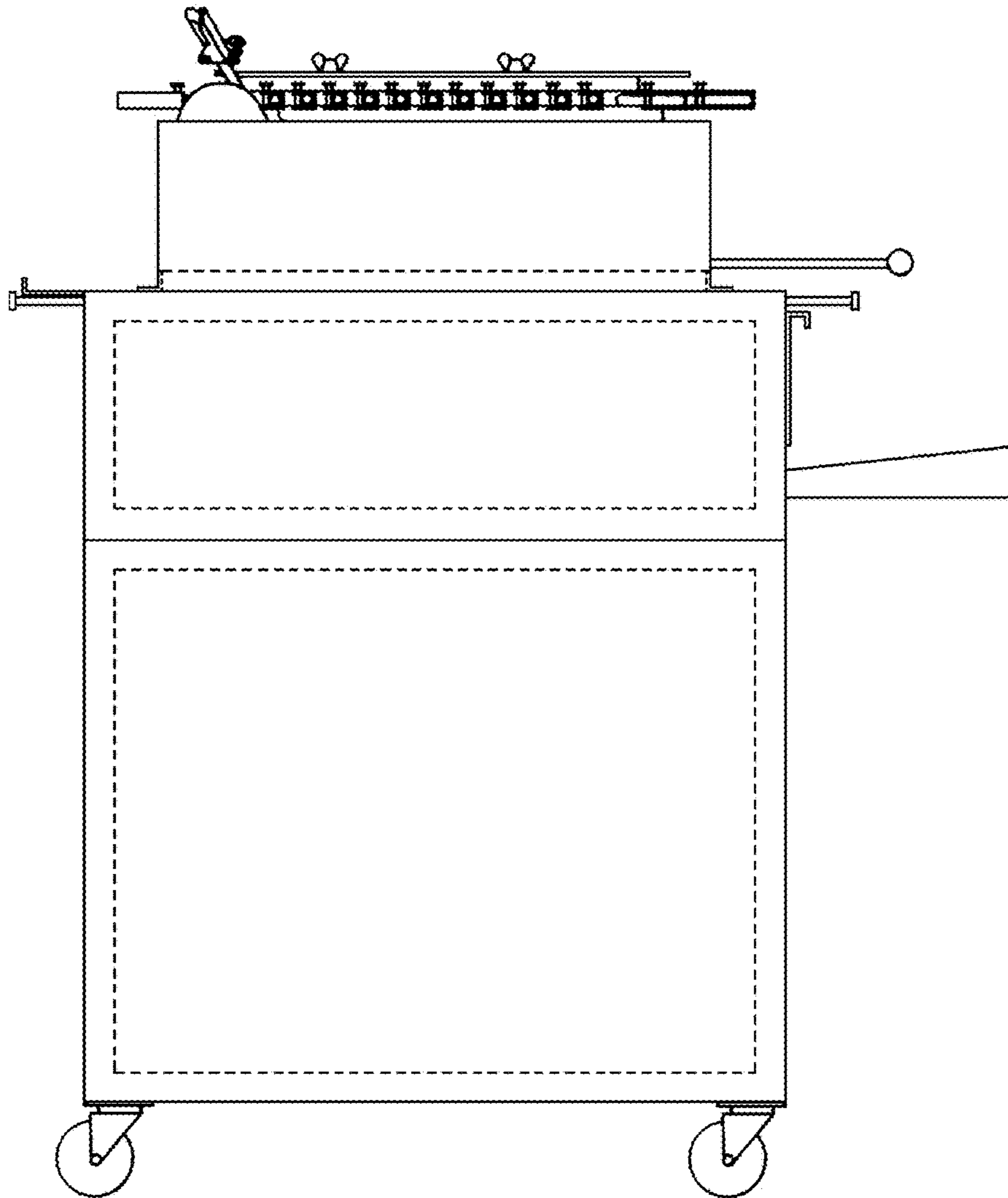


FIG.4

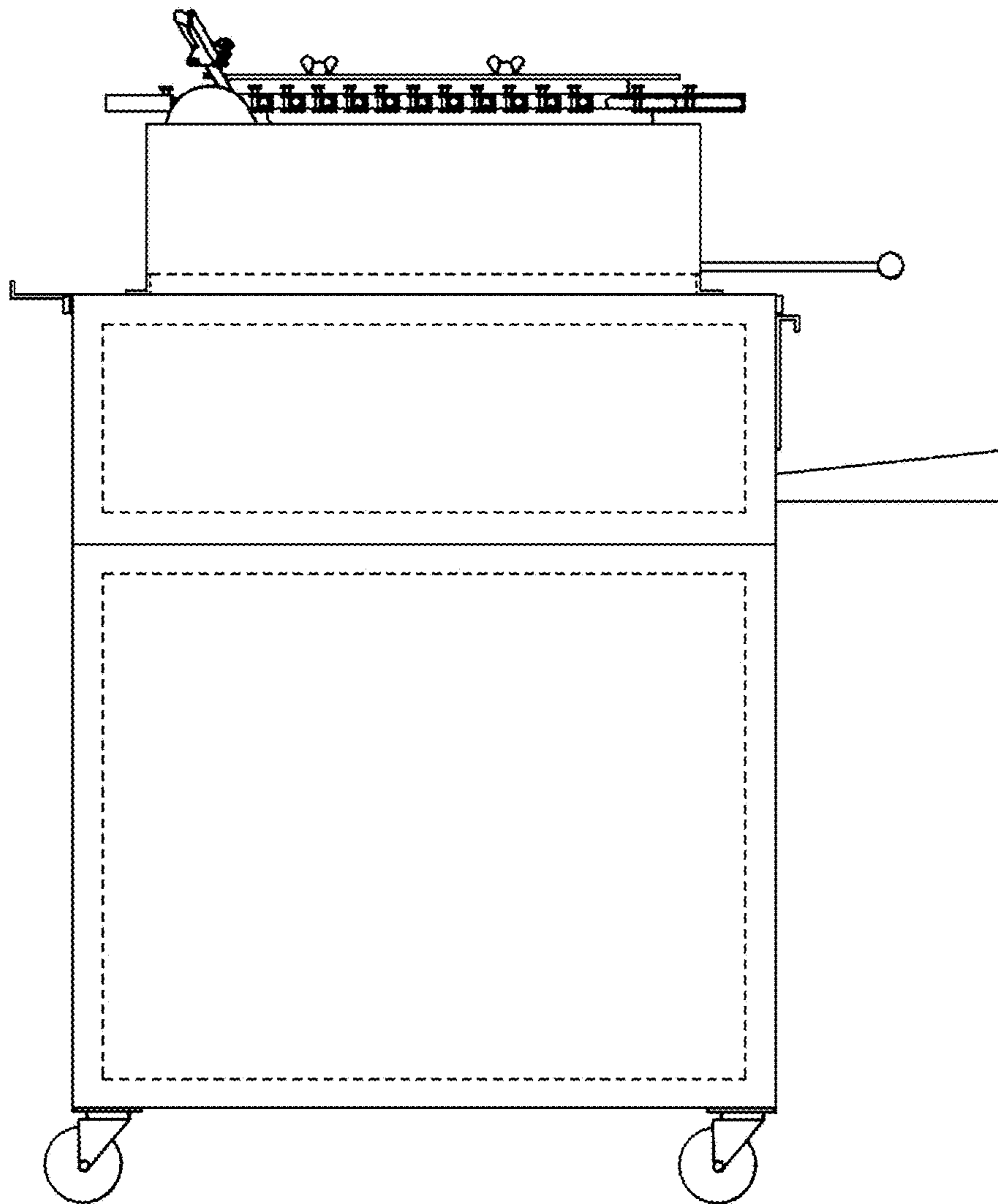
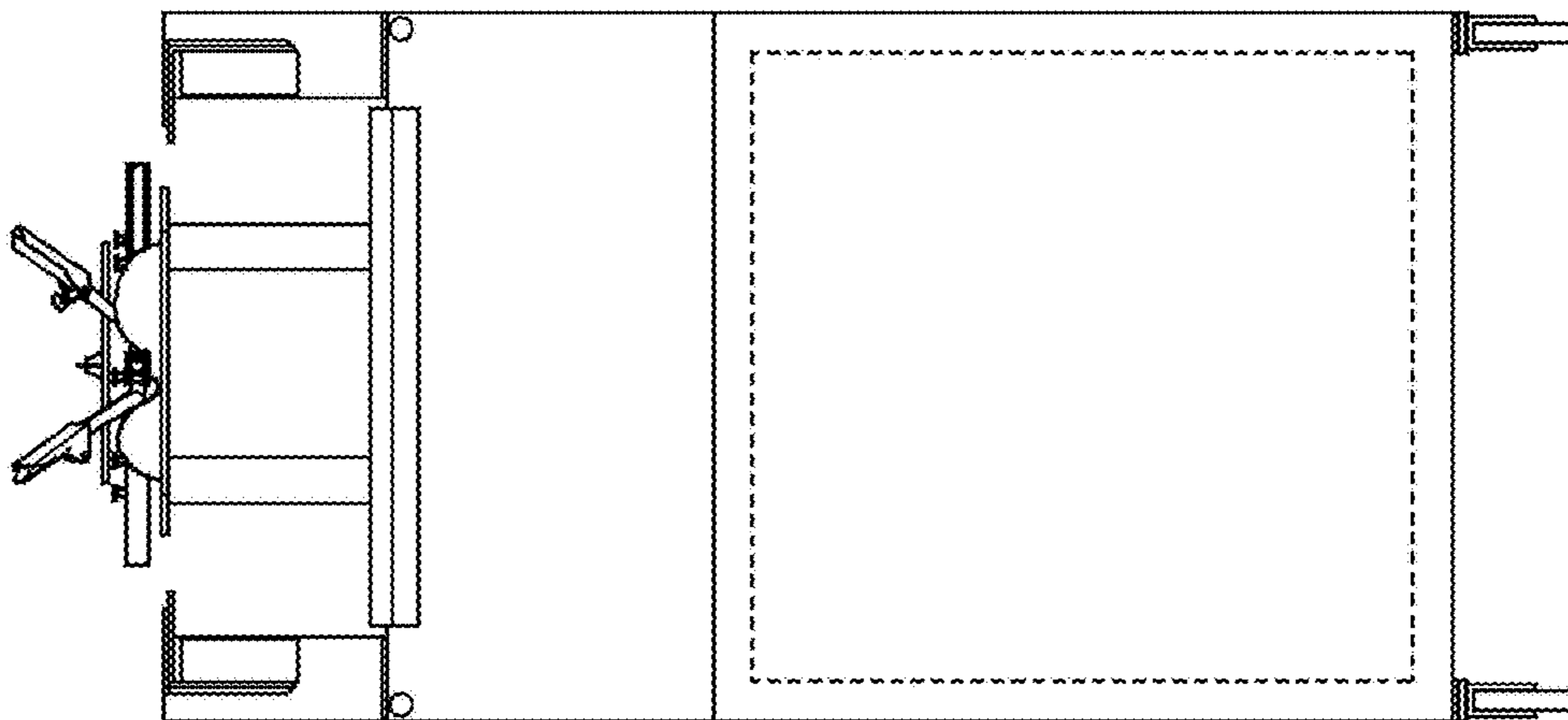


FIG. 5



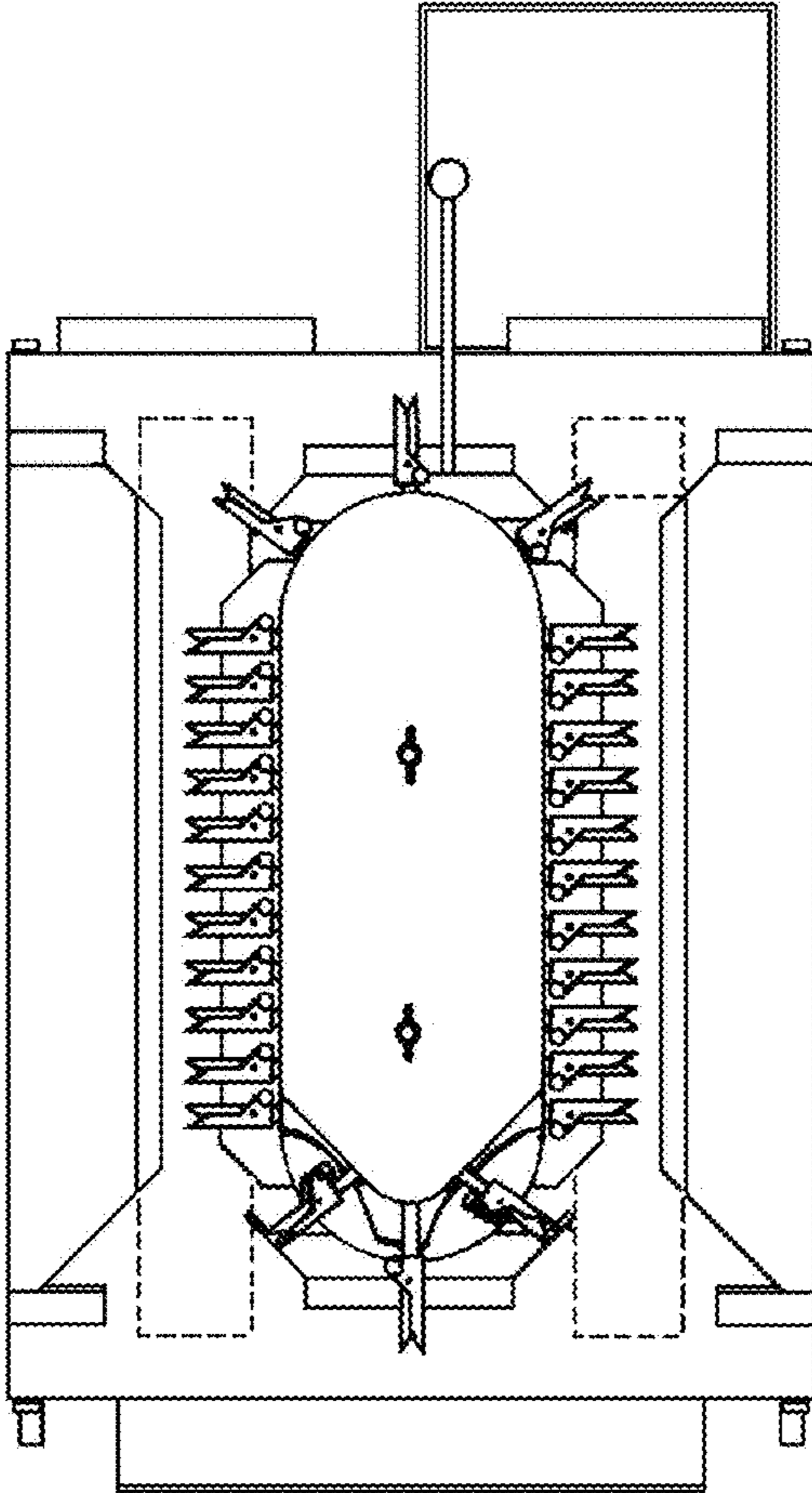


FIG.6

FIG. 7

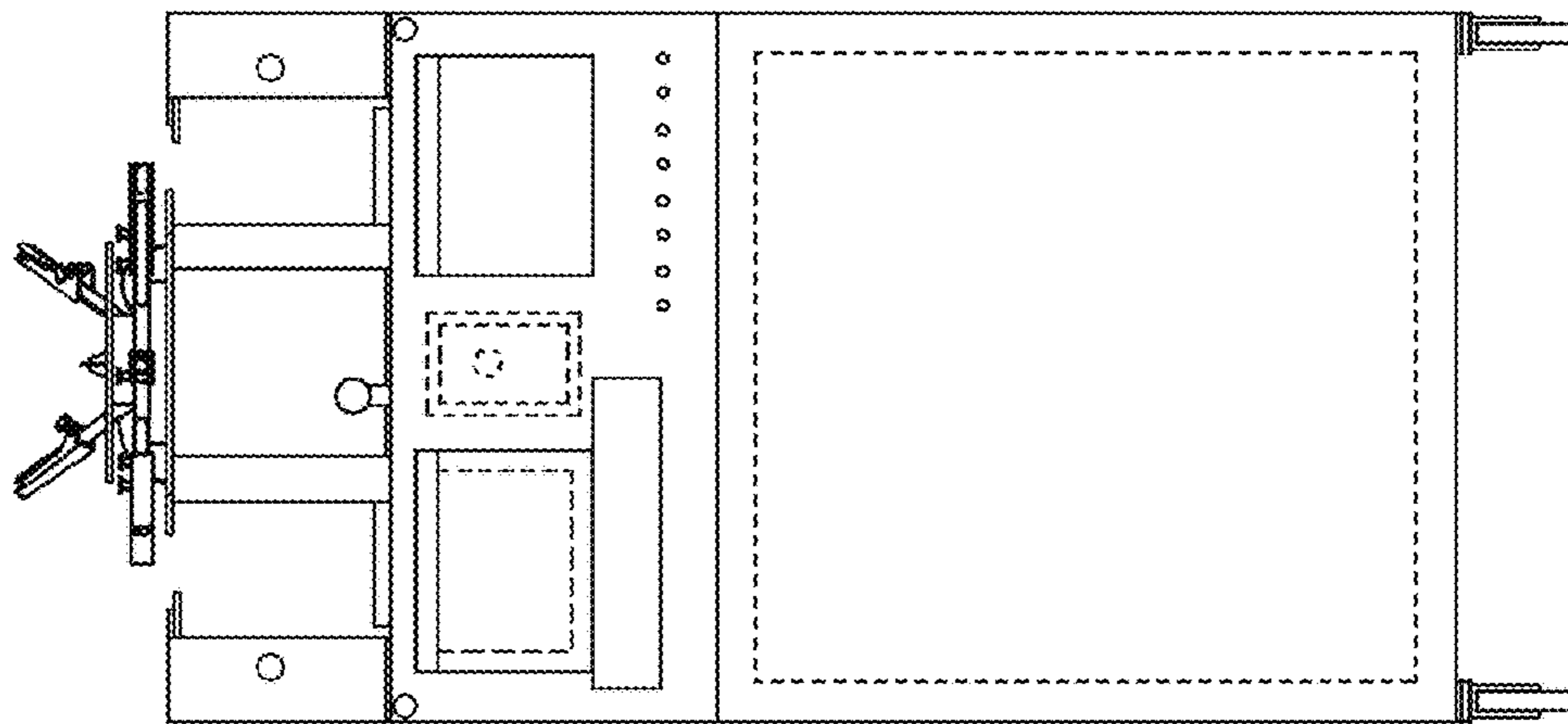


FIG.8

