



US00D844359S

(12) **United States Design Patent**  
**Hofer et al.**

(10) **Patent No.:** **US D844,359 S**  
(45) **Date of Patent:** **\*\* Apr. 2, 2019**

- (54) **COOKING GRILL**
- (71) Applicant: **Wolf and Timber Inc.**, Kitchener (CA)
- (72) Inventors: **Joseph Hofer**, Kitchener (CA); **George Rizkalla**, Kitchener (CA)
- (73) Assignee: **Wolf and Timber Inc.**, Kitchener (CA)
- (\*\*) Term: **15 Years**
- (21) Appl. No.: **29/609,013**
- (22) Filed: **Jun. 27, 2017**
- (51) **LOC (11) Cl.** ..... **07-02**
- (52) **U.S. Cl.**  
USPC ..... **D7/332**
- (58) **Field of Classification Search**  
USPC ..... D7/332-337, 402-409; D6/368, 691.6  
CPC .... A47J 37/07-37/0781; A47J 37/0786; A47J  
37/079; A47J 33/00; A47J 37/0694; A47J  
2037/0777; A47J 2037/0795; F24B 1/202;  
F24B 1/205; F24B 1/207; F24C 1/16;  
F24C 3/14; F24C 15/16; A23B 4/044;  
A23B 4/048; A23B 4/052; A23B 4/0523;  
A23B 4/0526; A23B 4/056  
See application file for complete search history.

(56) **References Cited**

**U.S. PATENT DOCUMENTS**

- D91,639 S \* 2/1934 Stulk ..... 126/25 R
- 2,486,708 A \* 11/1949 Fader ..... A47J 37/0763  
126/25 R

- 3,249,101 A \* 5/1966 Weissman ..... A47J 37/0763  
108/163
- D229,275 S \* 11/1973 Delahoussaye ..... D7/337
- 3,905,286 A \* 9/1975 Le Grady ..... A47J 37/0763  
126/25 R
- D276,688 S \* 12/1984 Lee ..... D7/332
- 5,499,857 A \* 3/1996 Lynch, Jr. .... A47C 4/286  
D6/368
- D404,962 S \* 2/1999 Matthews ..... D7/332
- 6,131,560 A \* 10/2000 Healy ..... A47J 37/0763  
126/30
- D771,984 S \* 11/2016 Tsai ..... D6/675.5
- D806,462 S \* 1/2018 Zhang ..... D7/332

\* cited by examiner

*Primary Examiner* — Brett Miller

(74) *Attorney, Agent, or Firm* — Own Innovation; James W. Hinton

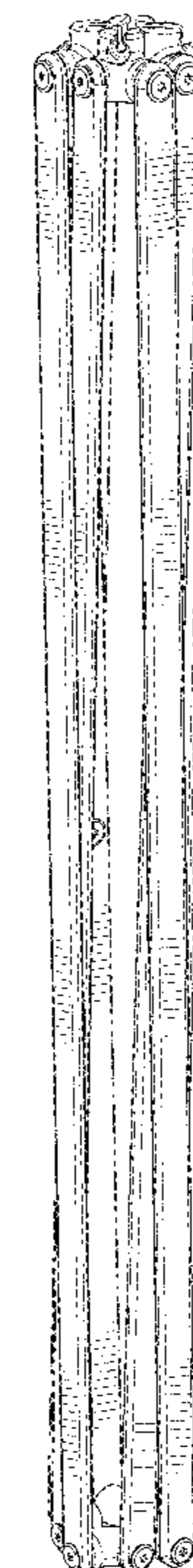
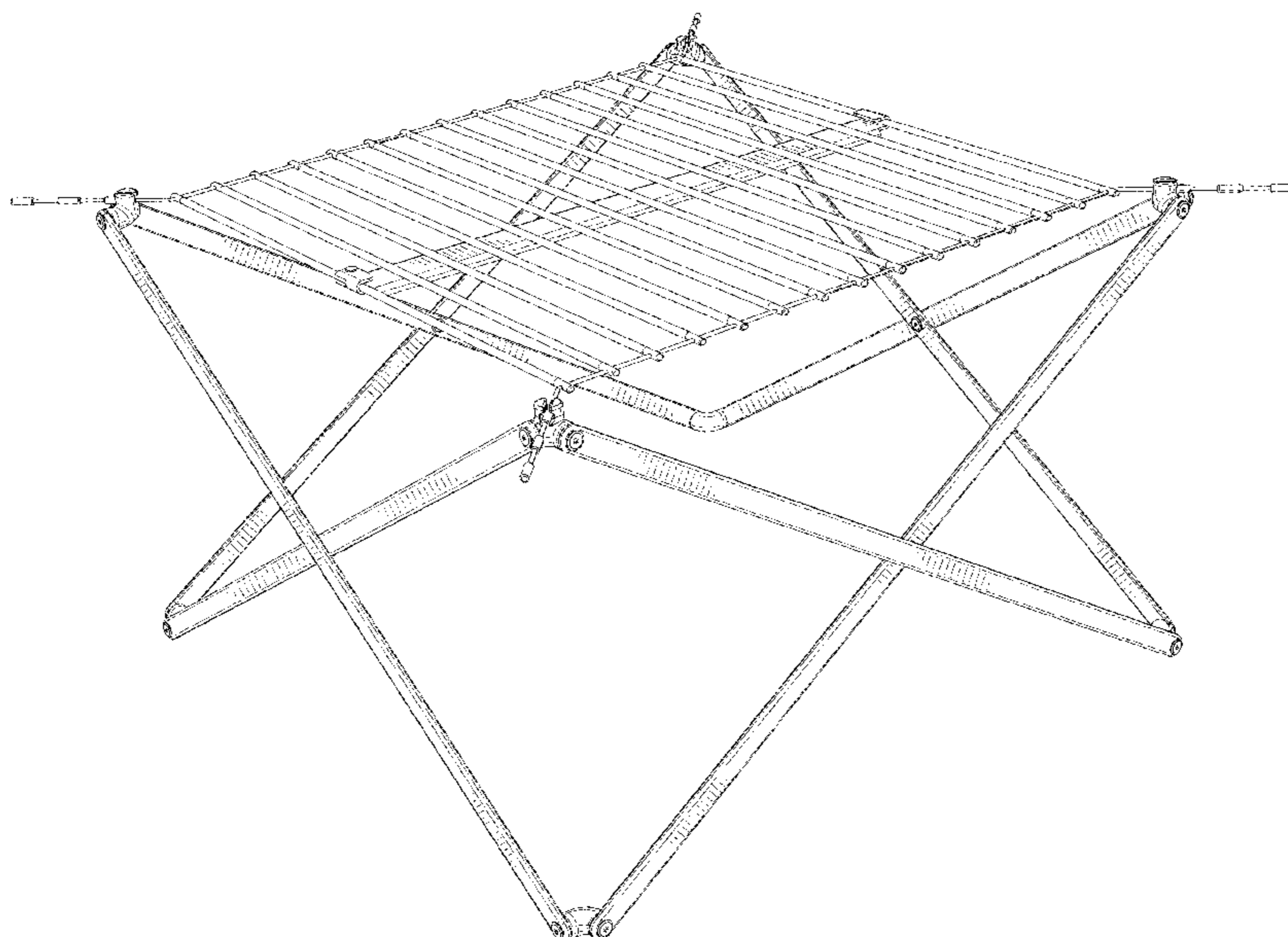
(57) **CLAIM**

The ornamental design for a cooking grill, as shown and described.

**DESCRIPTION**

FIG. 1 is a perspective view of a cooking grill made in accordance with the subject design;  
 FIG. 2 is a front elevation view thereof;  
 FIG. 3 is a right side elevation view thereof;  
 FIG. 4 is a rear elevation view thereof;  
 FIG. 5 is a left side elevation view thereof;  
 FIG. 6 is a bottom view thereof;  
 FIG. 7 is a top view thereof; and,  
 FIG. 8 is an elevation view thereof in a collapsed position.

**1 Claim, 6 Drawing Sheets**



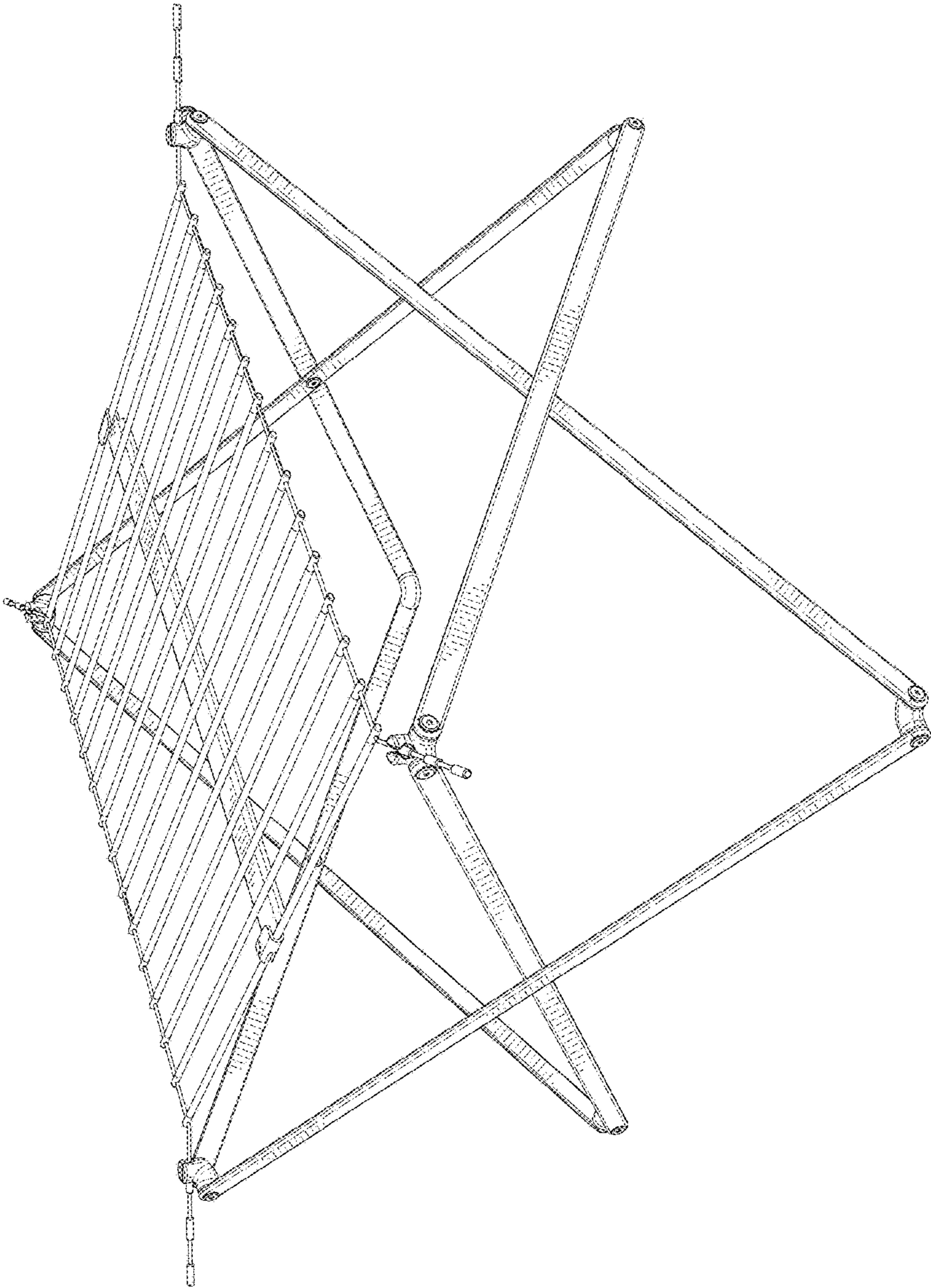


FIG. 1

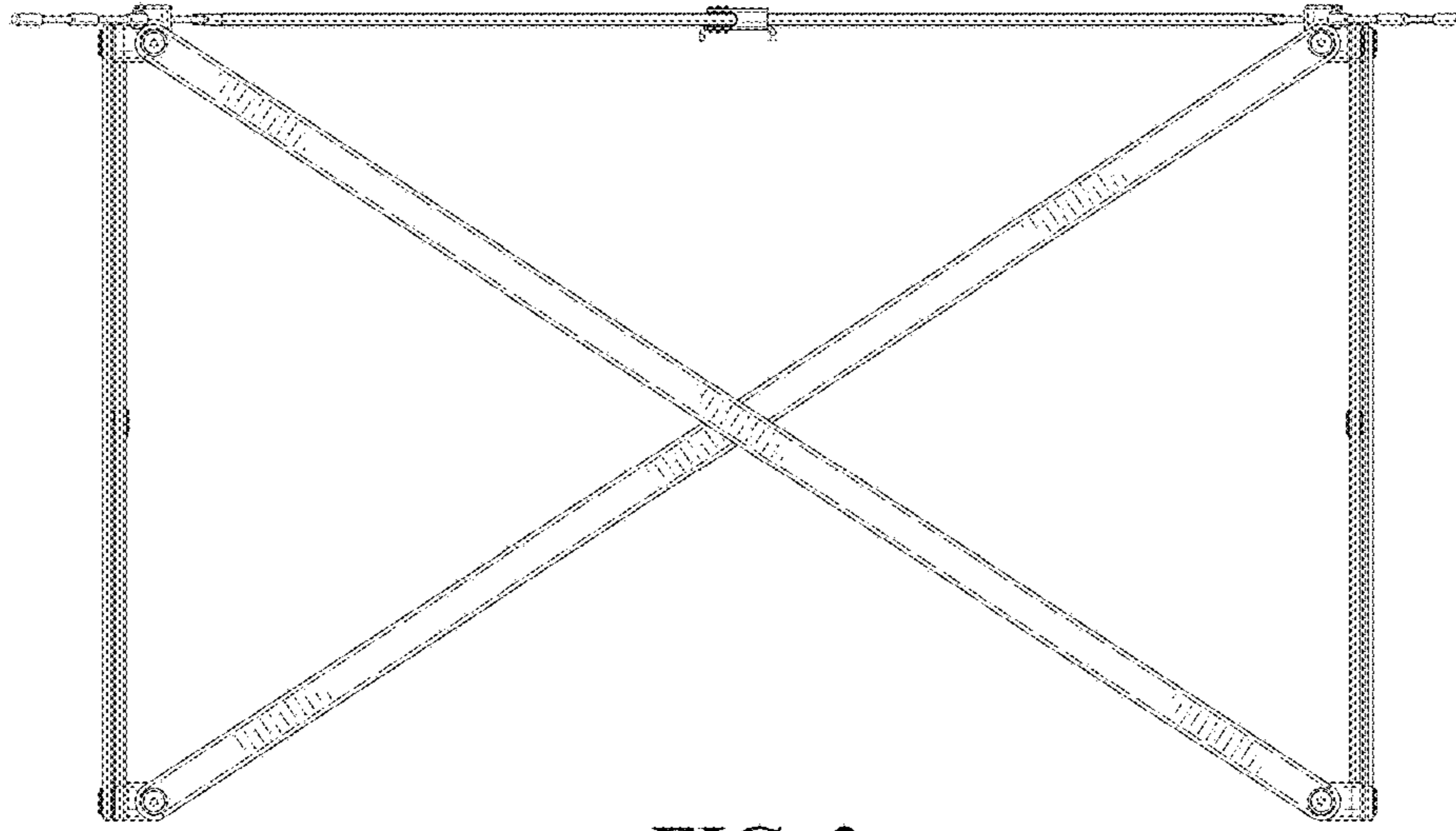


FIG. 2

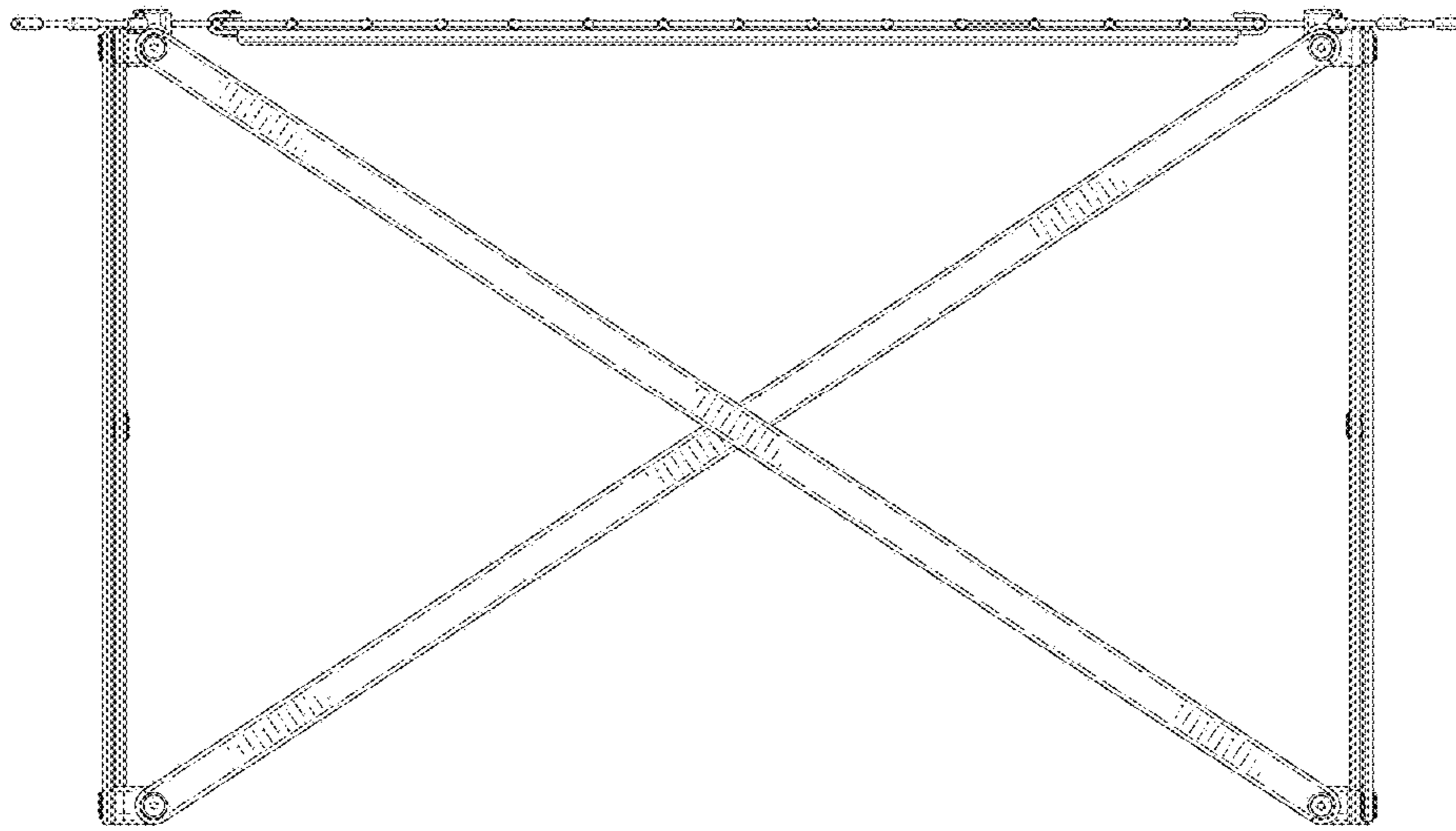


FIG. 3

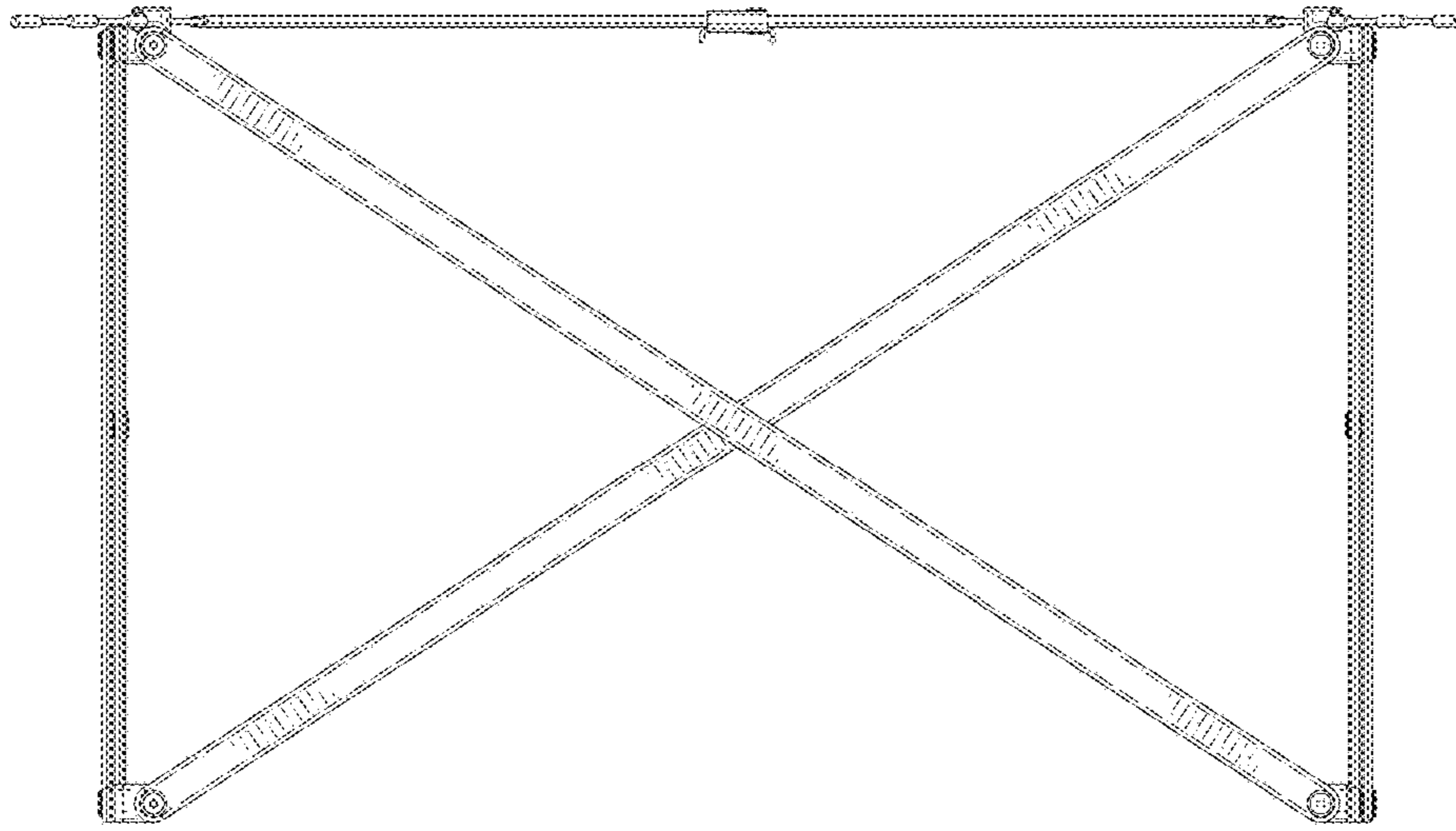


FIG. 4

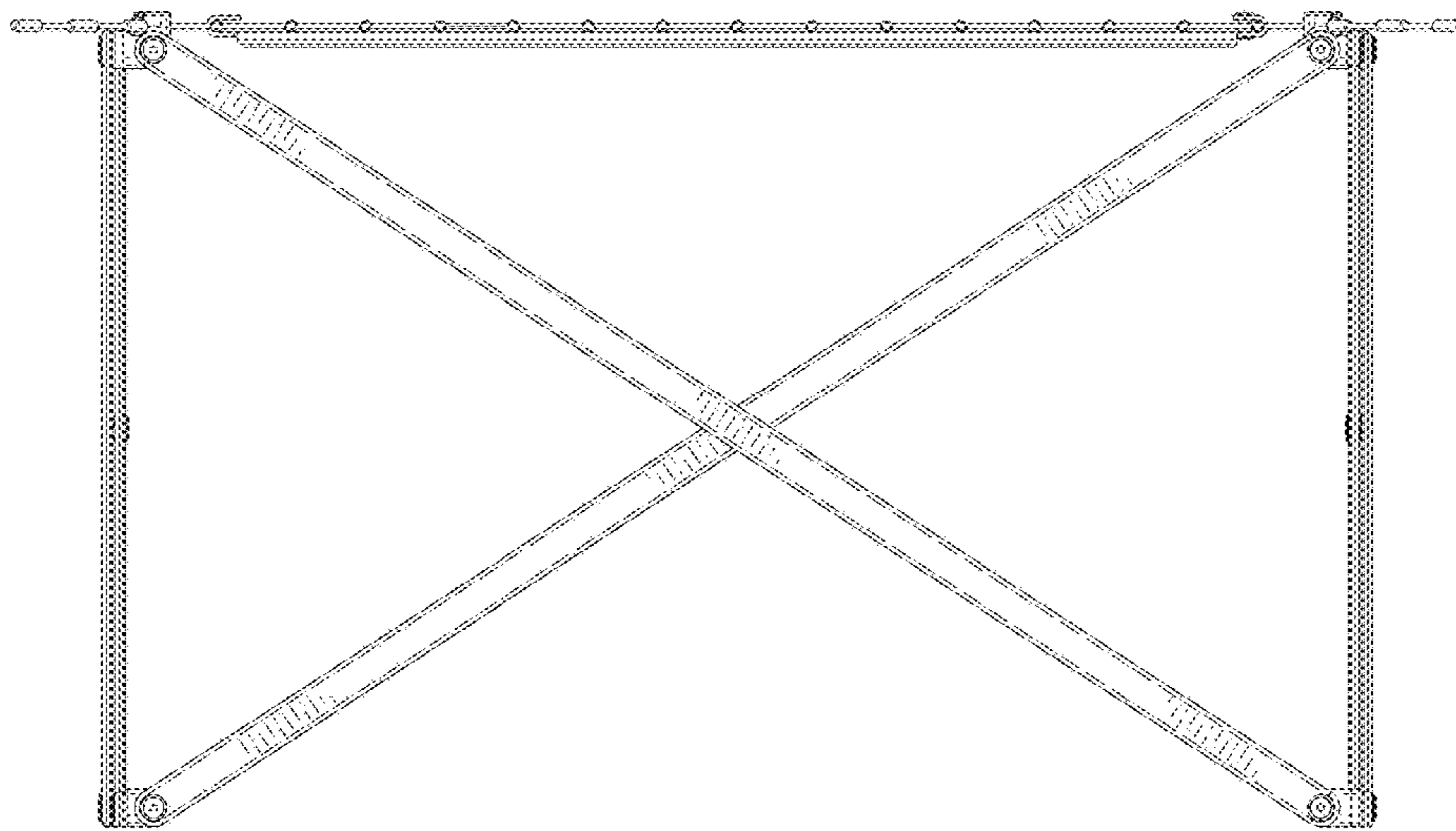


FIG. 5

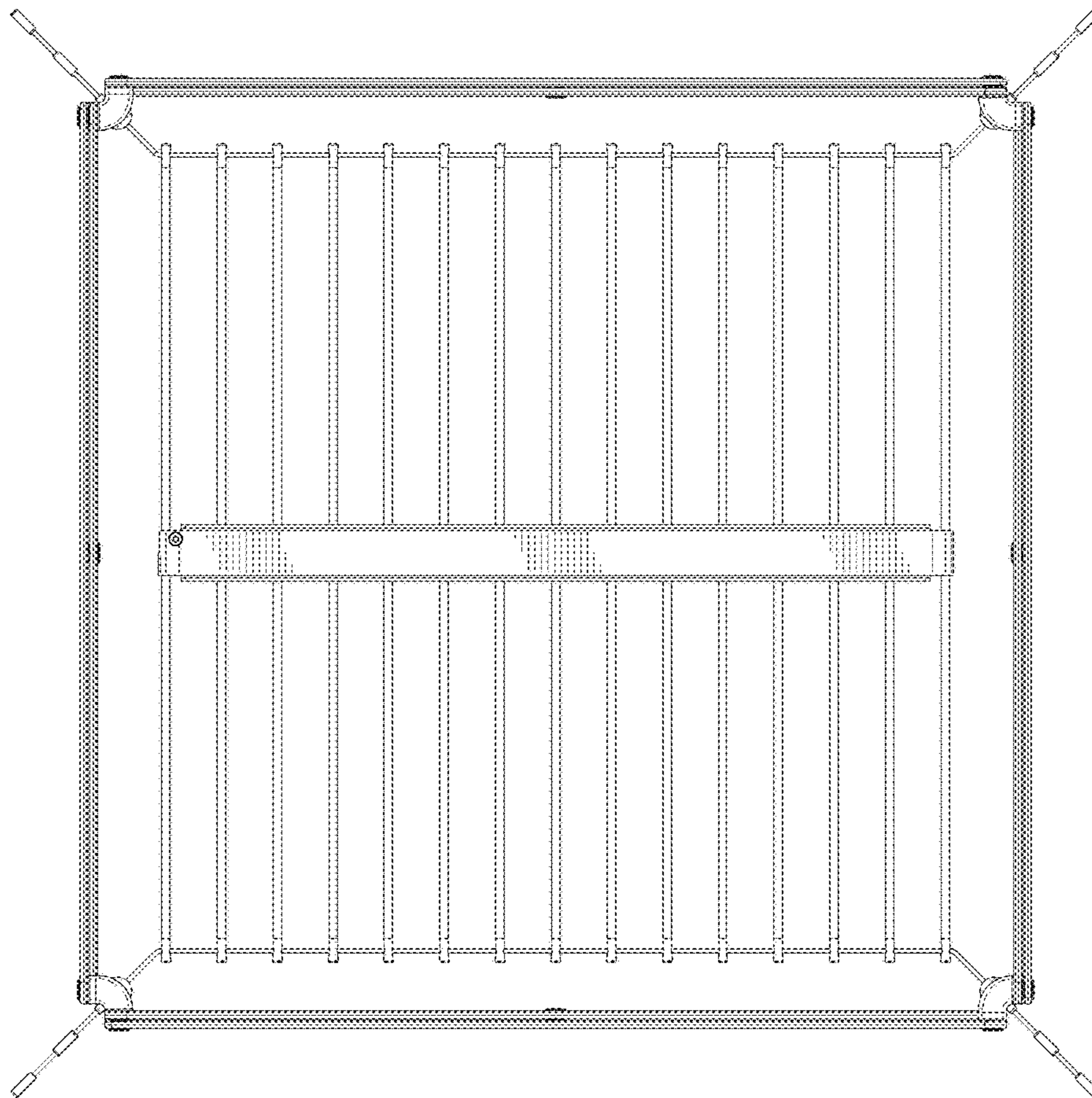


FIG. 6

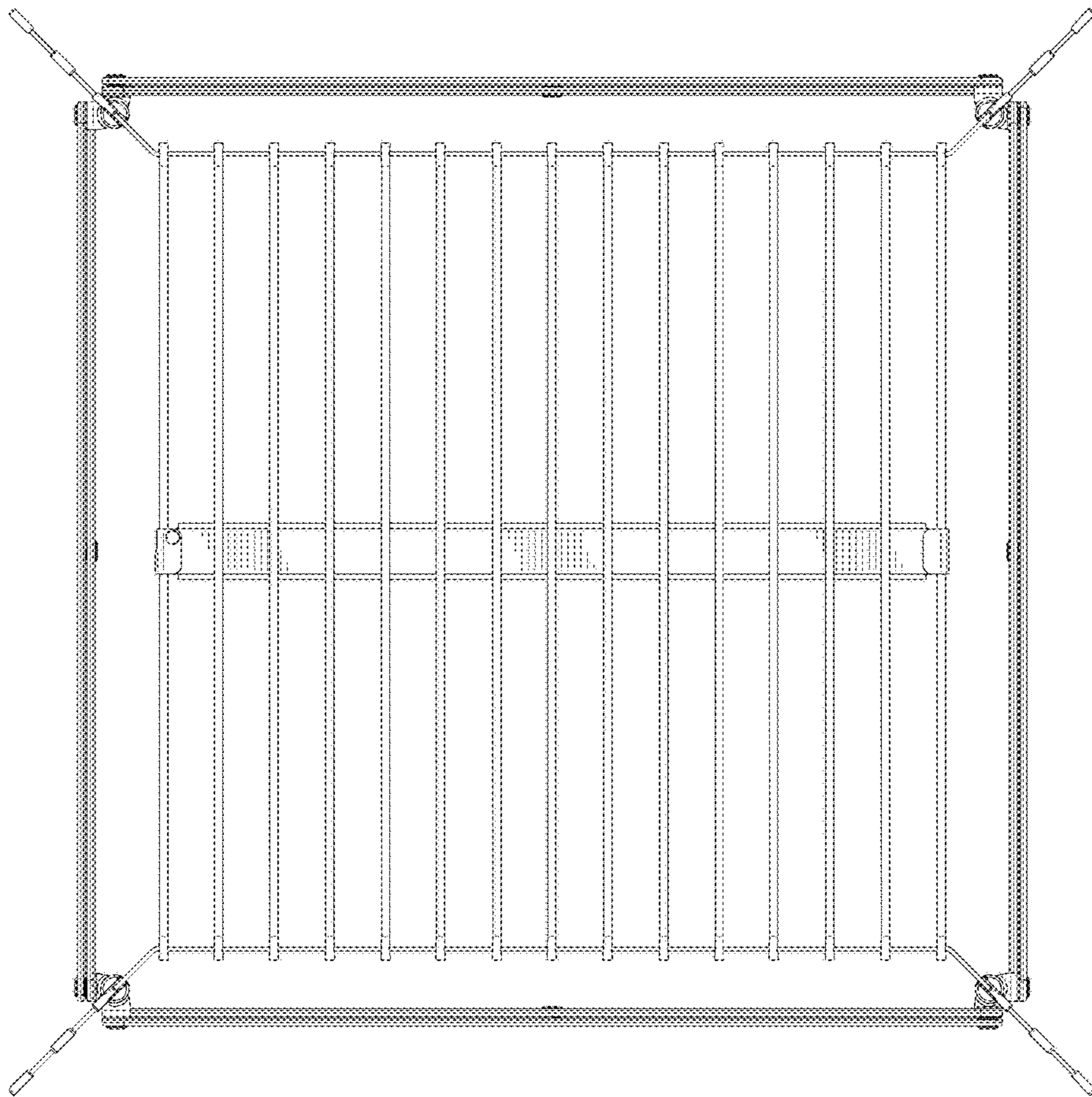


FIG. 7

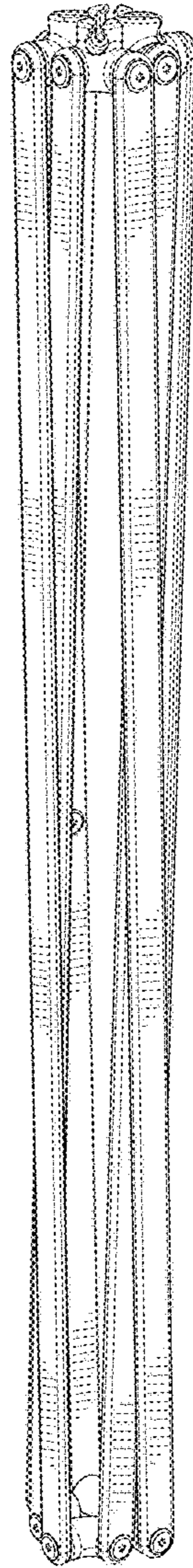


FIG. 8