



US00D844358S

(12) **United States Design Patent** (10) **Patent No.:** **US D844,358 S**
Chadwick et al. (45) **Date of Patent:** **** Apr. 2, 2019**

(54) **CHAIR AND CHAIR COMPONENTS**

(71) Applicant: **HERMAN MILLER, INC.**, Zeeland, MI (US)

(72) Inventors: **Don Chadwick**, Los Angeles, CA (US);
Jeffrey Koffman, Santa Monica, CA (US)

(73) Assignee: **Herman Miller, Inc.**, Zeeland, MI (US)

(**) Term: **15 Years**

(21) Appl. No.: **29/662,427**

(22) Filed: **Sep. 5, 2018**

Related U.S. Application Data

(62) Division of application No. 29/567,875, filed on Jun. 13, 2016.

(51) **LOC (11) Cl.** **06-01**

(52) **U.S. Cl.**
USPC **D6/716.4**

(58) **Field of Classification Search**
USPC D6/334-336, 364, 365, 366, 374, 379,
D6/380, 716, 716.1, 716.2, 716.4
CPC .. A47C 7/02; A47C 7/282; A47C 7/40; A47C
7/46; A47C 7/462; A47C 7/24; A47C
7/004
See application file for complete search history.

(56) **References Cited**

U.S. PATENT DOCUMENTS

D346,279 S 4/1994 Stumpf et al.
D377,431 S 1/1997 Stumpf et al.
D386,023 S 11/1997 Stumpf et al.
5,863,095 A 1/1999 Rivard et al.
D420,523 S 2/2000 Stumpf et al.
6,575,530 B1 6/2003 Fischer et al.
6,619,739 B2 9/2003 McMillen
6,644,740 B2 11/2003 Hoist et al.

6,644,741 B2 11/2003 Hoist et al.
D487,359 S 3/2004 Giugiaro
D489,542 S 5/2004 Giugiaro
D497,501 S 10/2004 Saylor et al.
6,874,852 B2 4/2005 Footitt
D507,134 S * 7/2005 Raftery D6/716.4
(Continued)

FOREIGN PATENT DOCUMENTS

CN 3359368 3/2004
CN 3430524 3/2004
(Continued)

OTHER PUBLICATIONS

Request for Invalidation issued by the Chinese Patent Office for related Application No. 201630612246.4 dated Nov. 23, 2018 (94 pages including English translation).

Primary Examiner — Mimoso De

(74) *Attorney, Agent, or Firm* — Michael Best & Friedrich LLP

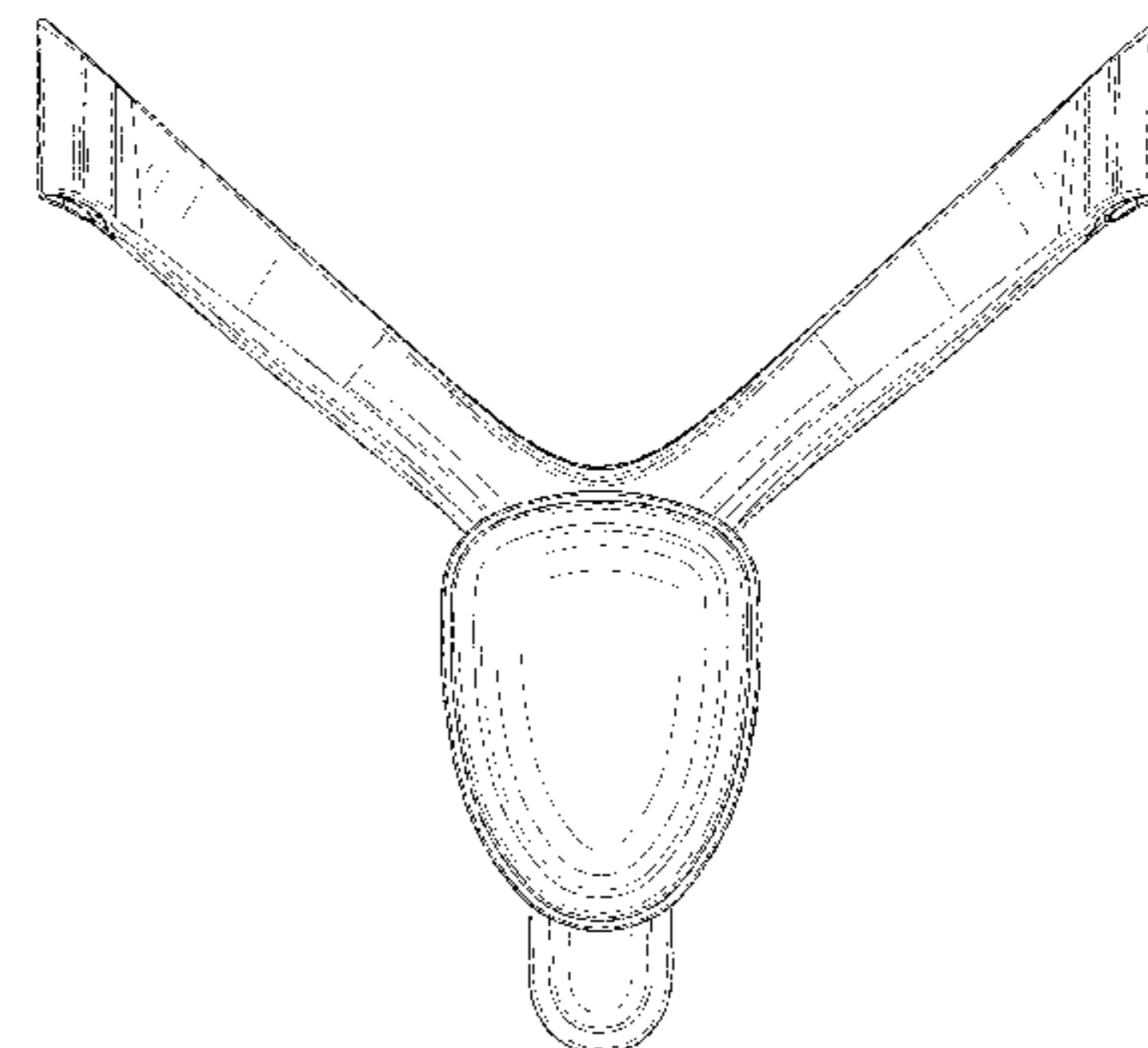
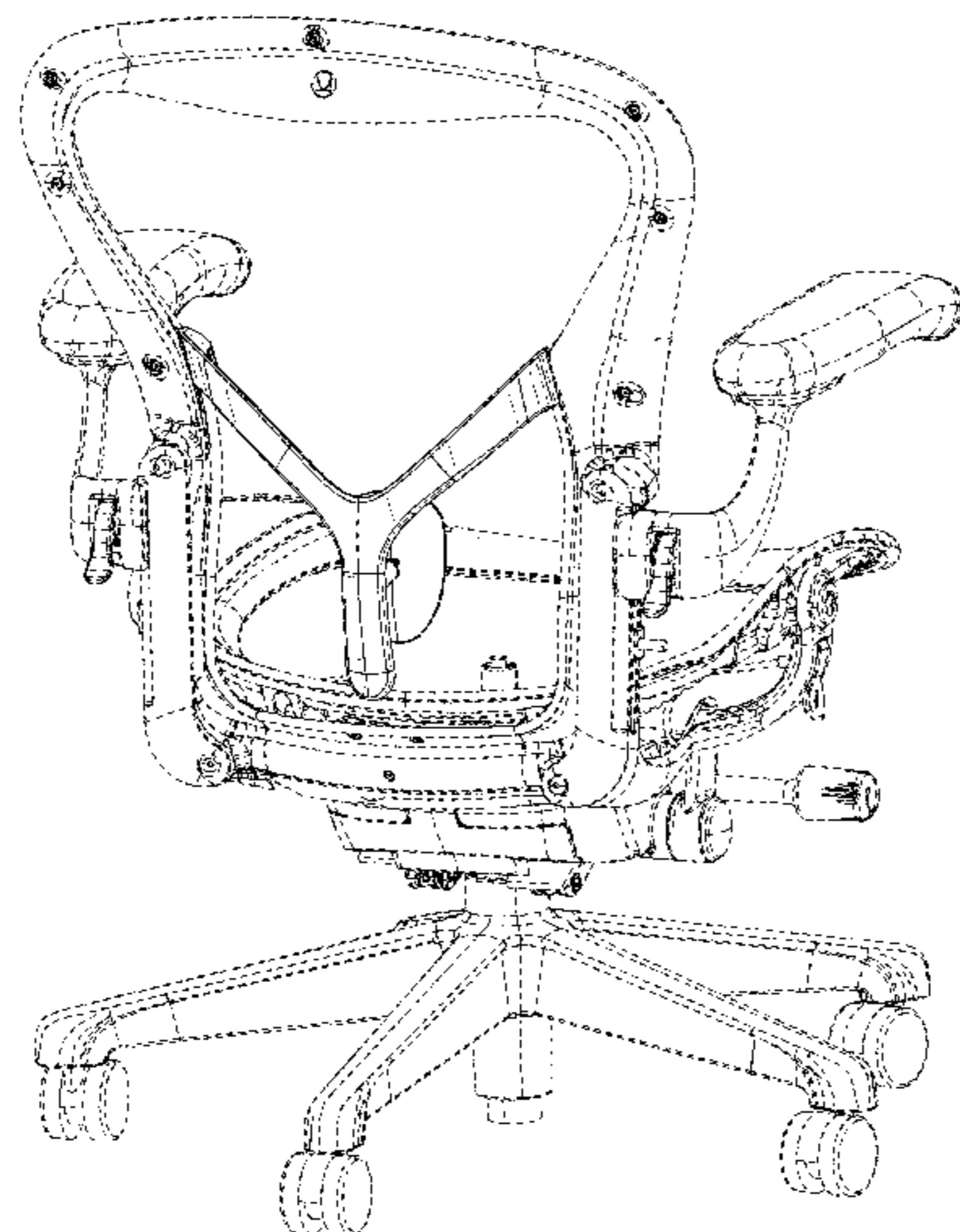
(57) **CLAIM**

We claim the ornamental design for a chair and chair components, as shown and described.

DESCRIPTION

FIG. 1 is a perspective view of a chair.
FIG. 2 is a front perspective view of a back support of the chair of FIG. 1.
FIG. 3 is a front view of the back support of FIG. 2.
FIG. 4 is a rear view of the back support of FIG. 2.
FIG. 5 is a first side view of the back support of FIG. 2.
FIG. 6 is a second side view of the back support of FIG. 2.
FIG. 7 is a top view of the back support of FIG. 2; and,
FIG. 8 is a bottom view of the back support of FIG. 2.
Portions of the chair and chair components shown in broken lines form no part of the claimed design.

1 Claim, 8 Drawing Sheets



(56)

References Cited

U.S. PATENT DOCUMENTS

D511,914 S 11/2005 Edwards et al.
 D540,578 S 4/2007 Chen
 7,234,773 B2* 6/2007 Raftery A47C 7/46
 297/284.4
 D547,978 S 8/2007 Machael et al.
 D548,992 S 8/2007 Koepka et al.
 D557,915 S 12/2007 Ong
 7,303,232 B1 12/2007 Chen
 D558,994 S 1/2008 Machael et al.
 7,344,194 B2 3/2008 Maier et al.
 7,347,495 B2 3/2008 Beyer et al.
 7,357,453 B2 4/2008 Wu
 D580,199 S 11/2008 Su
 D597,349 S 8/2009 Wilkinson et al.
 D607,653 S 1/2010 Wilkinson et al.
 7,837,265 B2 11/2010 Machael et al.
 7,878,591 B2* 2/2011 Walker A47C 7/46
 297/284.4
 D654,280 S 2/2012 Fujita
 D657,166 S* 4/2012 Behar D6/716
 8,308,240 B1 11/2012 Chou et al.
 D673,400 S 1/2013 Chen
 8,449,037 B2* 5/2013 Behar A47C 7/40
 297/452.56
 D683,552 S 6/2013 Wu

D687,660 S 8/2013 Hsuan-Chin
 8,573,697 B1 11/2013 Su
 D703,966 S 5/2014 Wu
 D709,312 S 7/2014 Giugiaro
 D714,042 S 9/2014 Petrie
 D724,878 S 3/2015 Tsai
 D774,345 S 12/2016 Tsai
 D777,494 S* 1/2017 Prestwich D6/716.4
 D779,251 S 2/2017 Beyer et al.
 D784,749 S 4/2017 Welsh et al.
 D799,877 S 10/2017 Mulder et al.
 D804,881 S* 12/2017 Guelfo D6/716.4
 2005/0104428 A1* 5/2005 Walker A47C 7/46
 297/284.4

FOREIGN PATENT DOCUMENTS

CN	301390258	11/2010
CN	301543076	5/2011
CN	303502699	12/2015
TW	D129285	6/2009
TW	D134501	4/2010
TW	D140909	6/2011
TW	D150755	12/2012
TW	D151081	1/2013
TW	D164647	12/2014

* cited by examiner

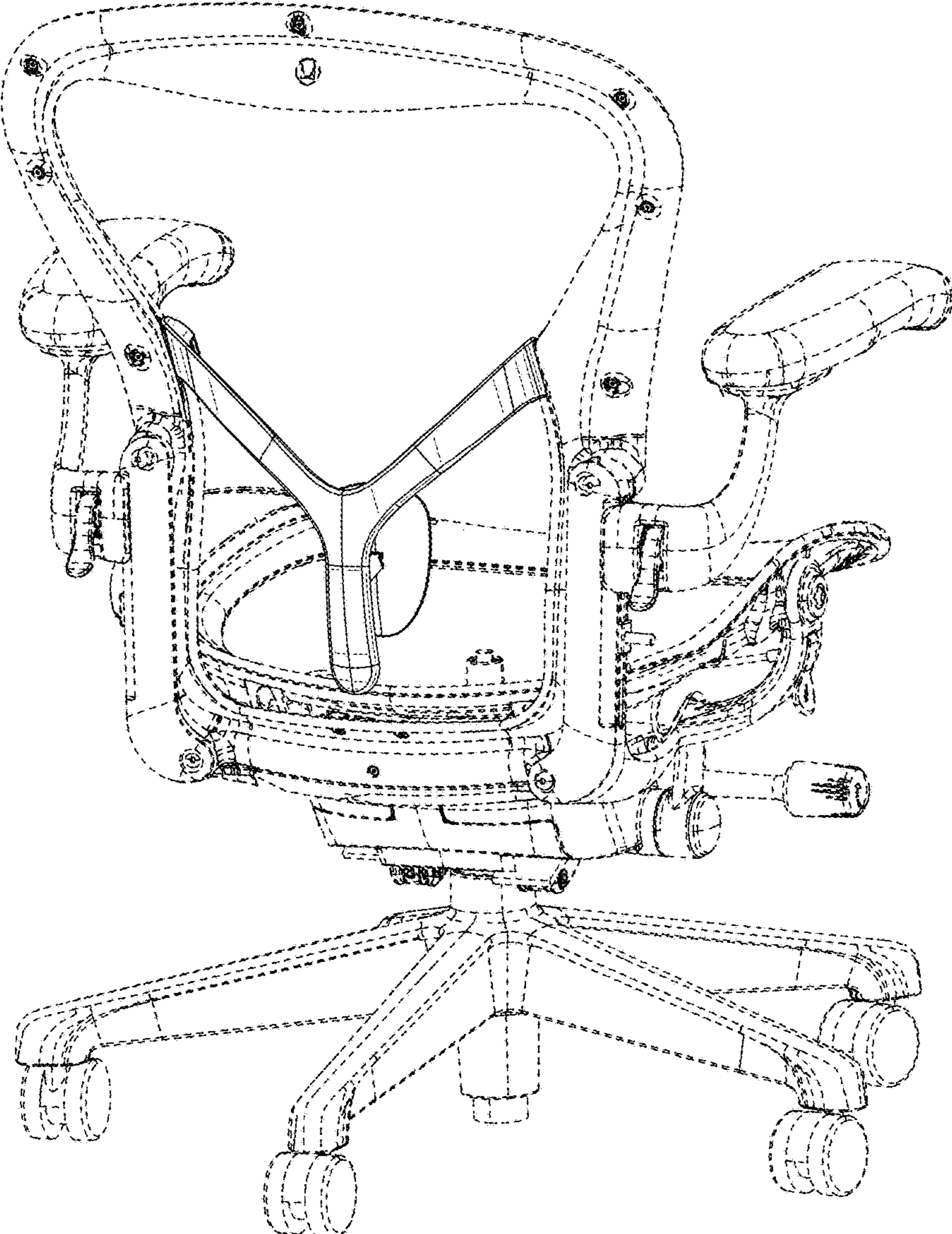


FIG. 1

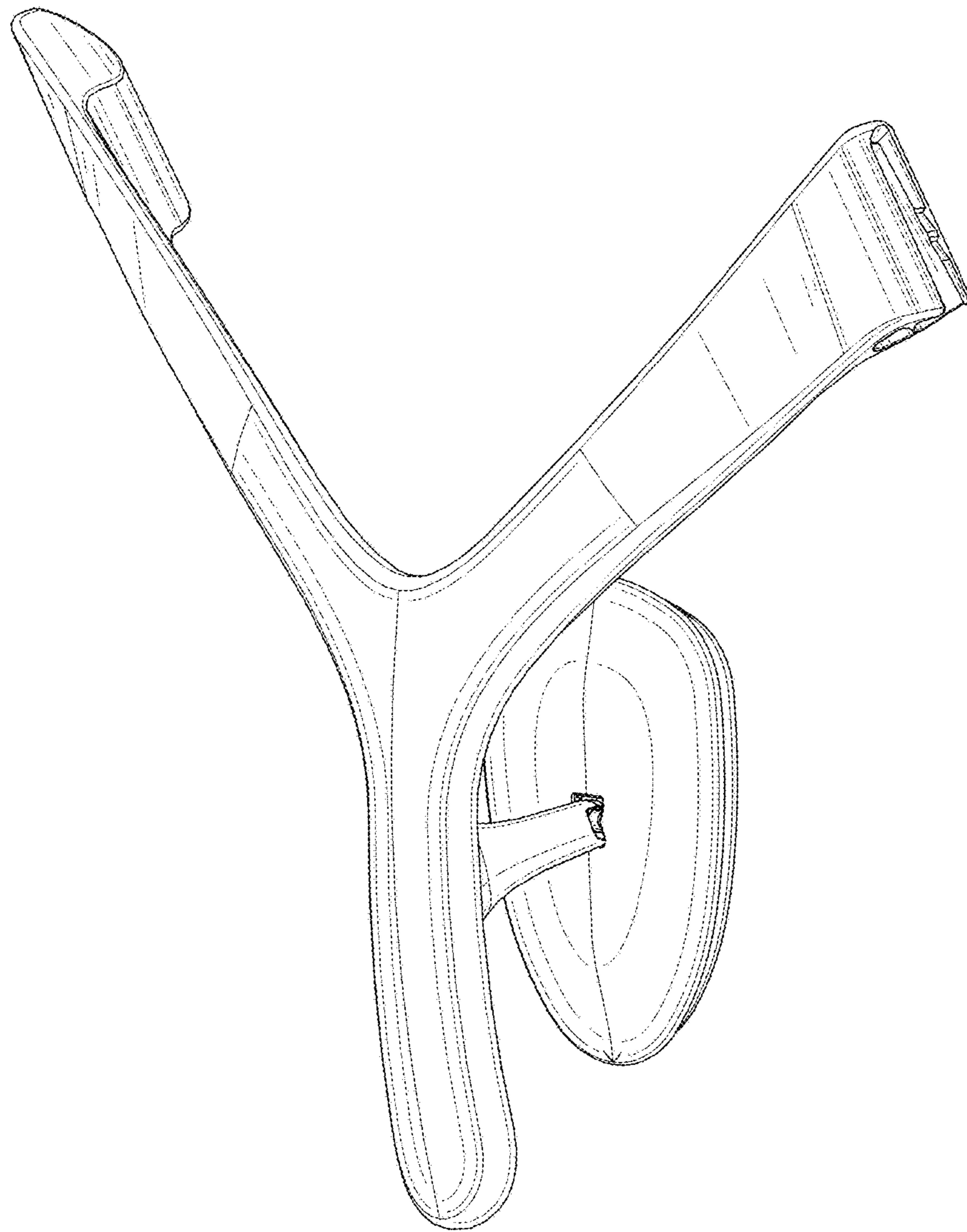


FIG. 2

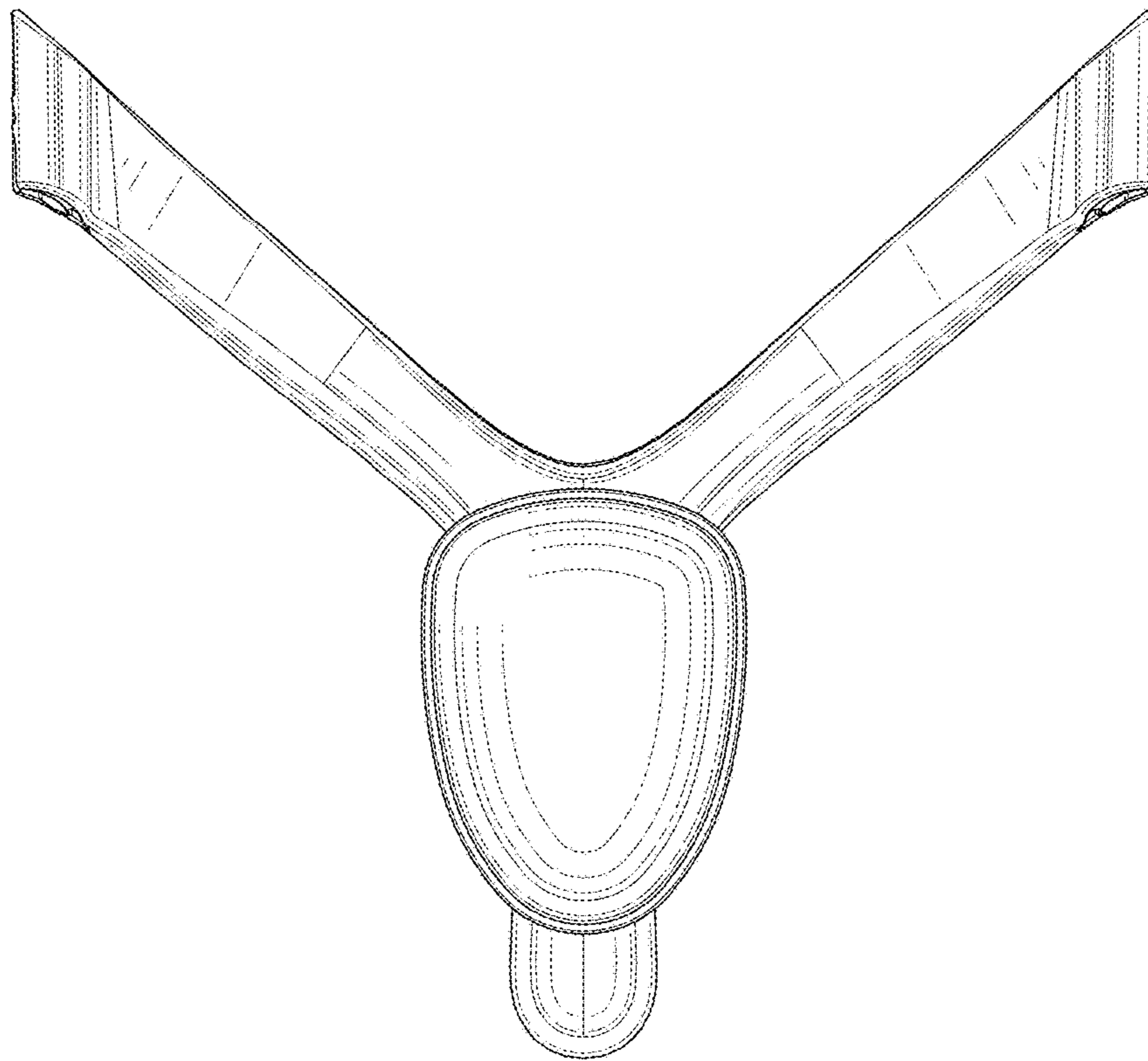


FIG. 3

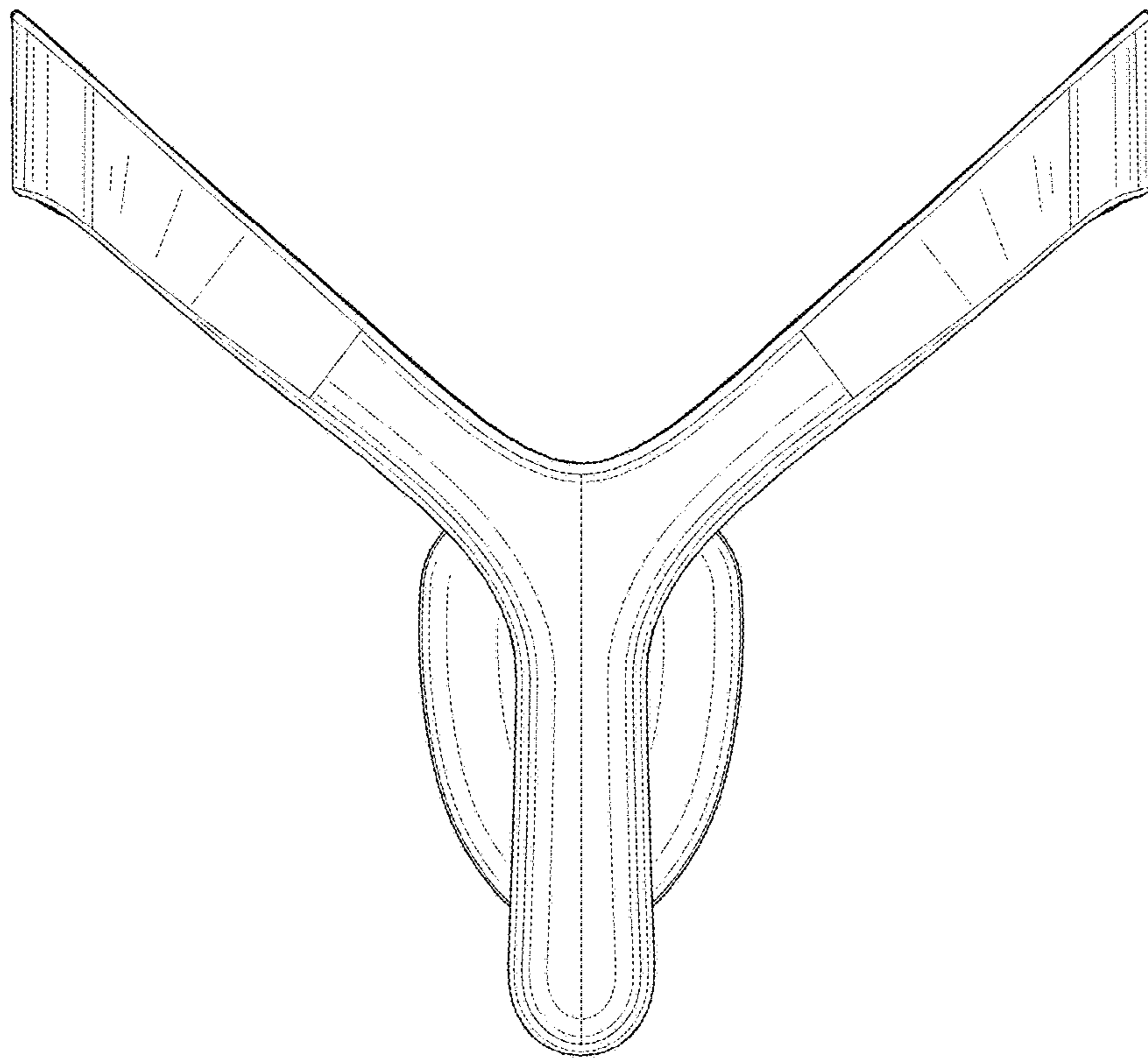


FIG. 4

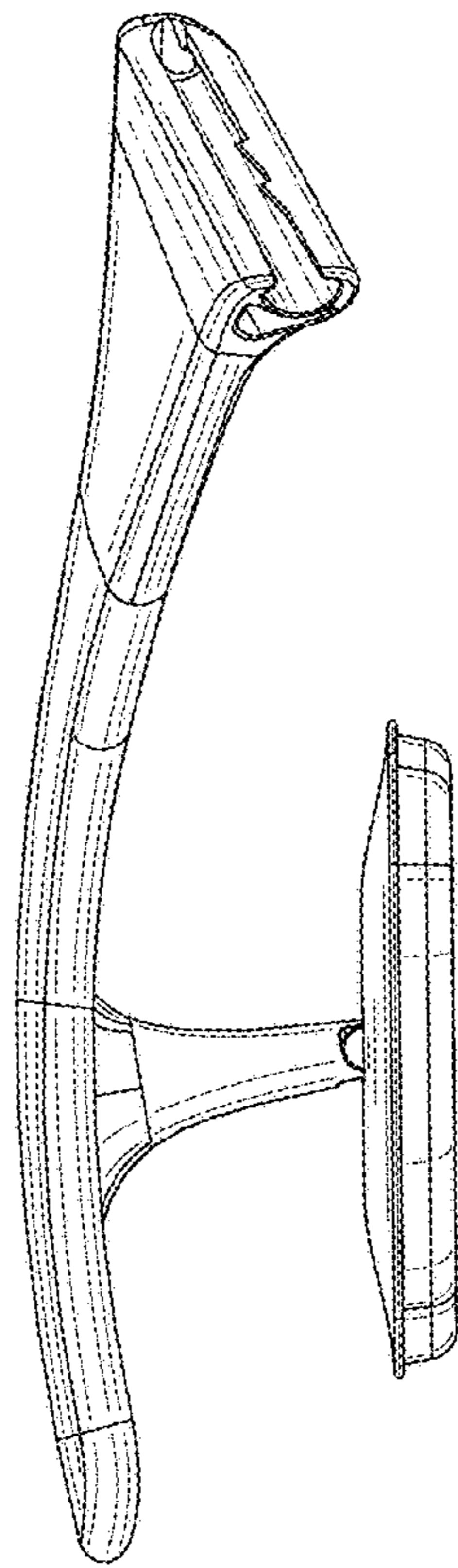


FIG. 5

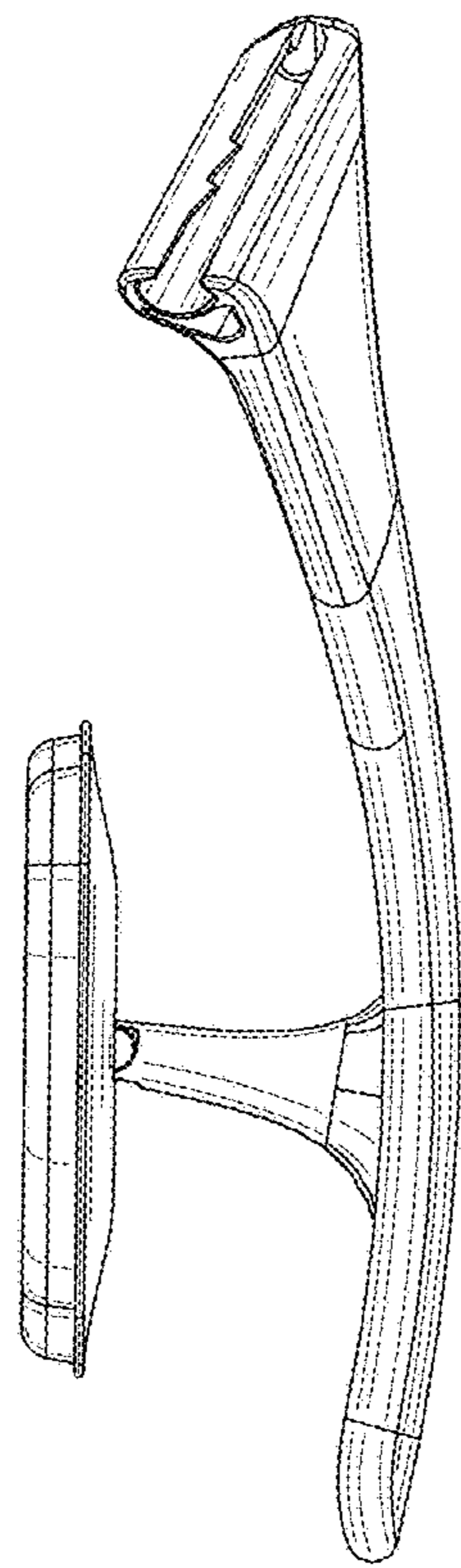


FIG. 6

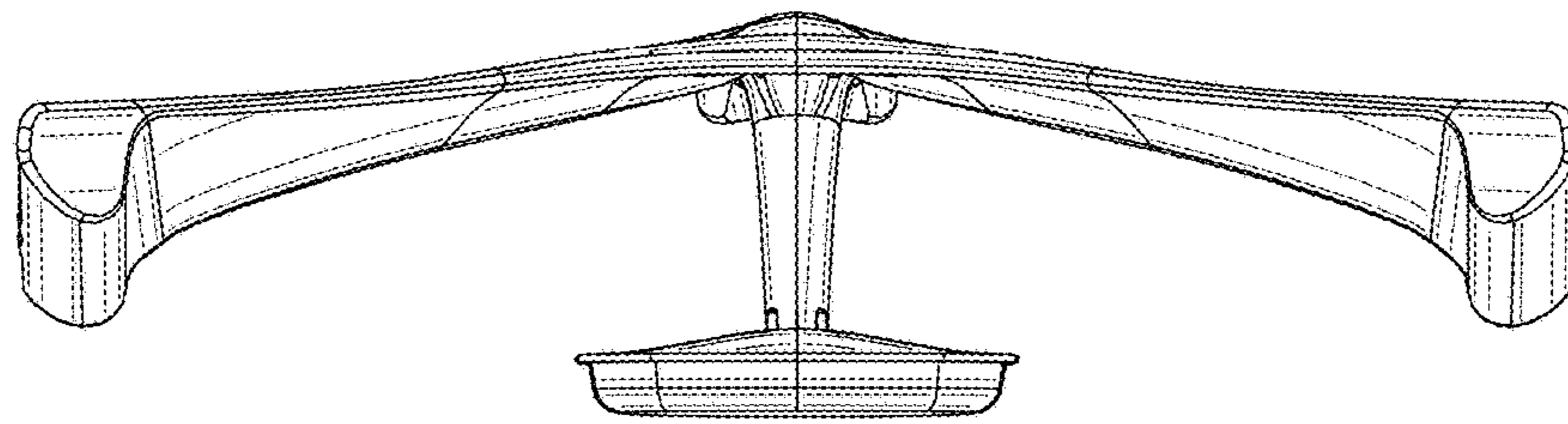


FIG. 7

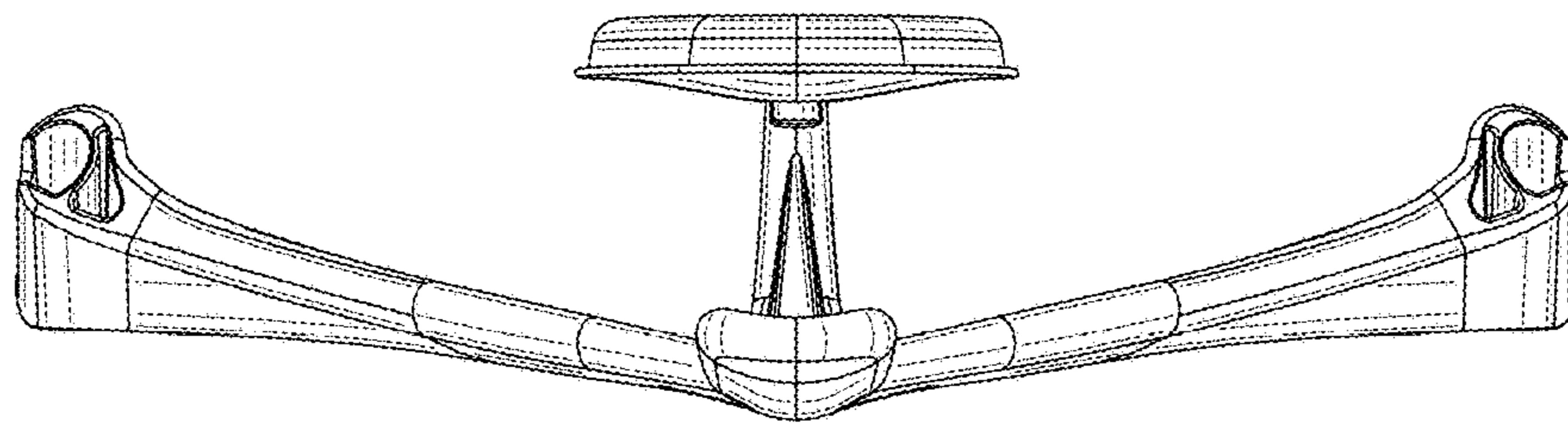


FIG. 8