



US00D844356S

(12) **United States Design Patent**  
**Streadwick**

(10) **Patent No.:** **US D844,356 S**

(45) **Date of Patent:** **\*\* Apr. 2, 2019**

(54) **CHAIR FOOT**

(71) Applicant: **Mark Streadwick**, Plymouth, IL (US)

(72) Inventor: **Mark Streadwick**, Plymouth, IL (US)

(\*\*) Term: **15 Years**

(21) Appl. No.: **29/640,298**

(22) Filed: **Mar. 13, 2018**

(51) **LOC (11) Cl.** ..... **06-06**

(52) **U.S. Cl.**  
USPC ..... **D6/709.14**

(58) **Field of Classification Search**  
USPC ..... D5/65; D6/358, 359, 591, 708.12,  
D6/708.17, 709.11, 709.12, 709.14, 710;  
D9/614, 621, 623, 624; D11/100, 101,  
D11/157, 158, 160, 184, 240; D21/406,  
D21/521, 576, 596; D25/112, 113  
CPC ..... A47C 1/03; A47C 1/024; A47C 1/032;  
A47C 3/00; A47C 3/026; A47C 3/18;  
A47C 7/14; A47C 7/44; A47C 7/004;  
A47B 2013/025; A61H 15/00; A61H  
2015/0014; B60N 2/90; B65G 57/00;  
F16M 7/00

See application file for complete search history.

(56) **References Cited**

**U.S. PATENT DOCUMENTS**

D226,049 S *	1/1973	Warnberg	.....	D6/591
D230,684 S *	3/1974	Warnberg	.....	D6/591
D236,788 S *	9/1975	Warnberg	.....	D6/591
D279,013 S *	5/1985	Sowle	.....	D17/18
4,915,335 A	4/1990	Miles		
D355,997 S *	3/1995	Zandstra	.....	D6/709.14
5,427,342 A	6/1995	Gagnon		
D368,496 S *	4/1996	Seger	.....	D14/419
5,513,900 A	5/1996	Iglesias		
D384,849 S *	10/1997	Lombardo	.....	D6/591
5,725,188 A	3/1998	Monteiro, Jr.		

D393,726 S *	4/1998	Sweeney	.....	D2/961
D403,708 S *	1/1999	Wolff	.....	D20/25
D450,496 S *	11/2001	Schwartz	.....	D6/708.2
D455,646 S *	4/2002	Davis	.....	D9/624
6,520,459 B2 *	2/2003	Burr	.....	A47B 91/066 248/188.2
D476,748 S *	7/2003	Nezirevic	.....	D25/112
D479,065 S *	9/2003	Verbeek	.....	D6/710
6,905,172 B1	6/2005	Barnett		
D604,534 S	11/2009	Guggenbiller, Jr.		
D626,774 S *	11/2010	Tuggle	.....	D6/591
D628,844 S *	12/2010	Tuggle	.....	D6/591
8,407,855 B2	4/2013	Gagnon		
D748,922 S *	2/2016	Crumb	.....	D5/65
D764,896 S *	8/2016	Partridge	.....	H02G 13/00 D8/349
D765,536 S *	9/2016	Boyer	.....	D11/83
D769,772 S *	10/2016	Howard	.....	D11/158
9,554,650 B1	1/2017	Hubbard, Sr.		

(Continued)

*Primary Examiner* — Kevin K Rudzinski

*Assistant Examiner* — Paul D Bohannon

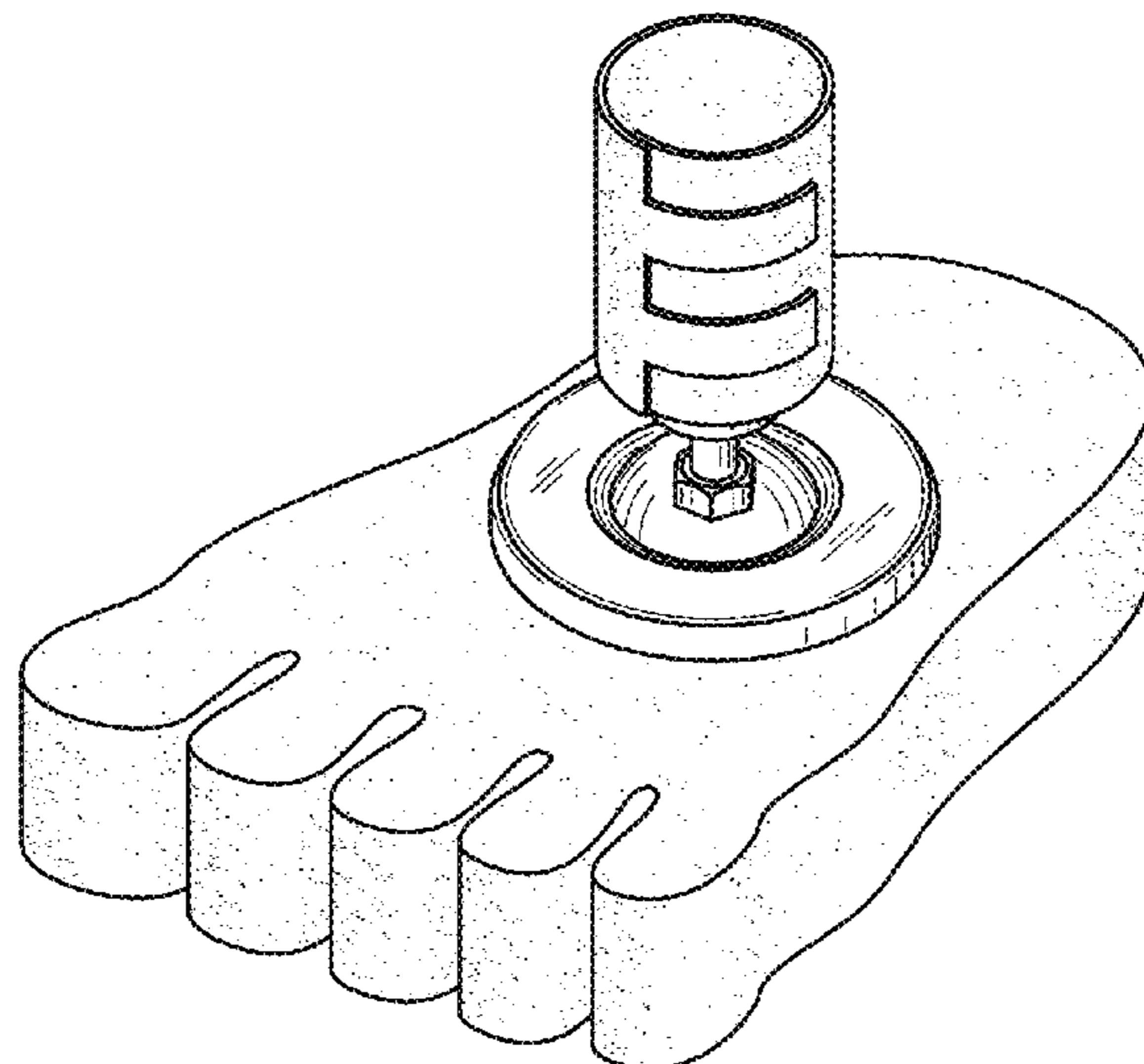
(57) **CLAIM**

The ornamental design for a chair foot, as shown and described.

**DESCRIPTION**

FIG. 1 is a front view of a chair foot showing my new design;  
FIG. 2 is a rear view of the chair foot;  
FIG. 3 is a left side view of the chair foot;  
FIG. 4 is a right side view of the chair foot;  
FIG. 5 is a top view of the chair foot;  
FIG. 6 is a bottom view of the chair foot;  
FIG. 7 is a top front side perspective view of the chair foot;  
and,  
FIG. 8 is a top front side perspective view of the chair foot.  
The broken lines in FIG. 8 indicate environment and form no part of the claimed design.

**1 Claim, 5 Drawing Sheets**



(56)

**References Cited**

U.S. PATENT DOCUMENTS

D787,871 S \* 5/2017 Roso ..... D6/710  
D804,139 S \* 11/2017 Boyer ..... D99/26

\* cited by examiner

FIG. 1

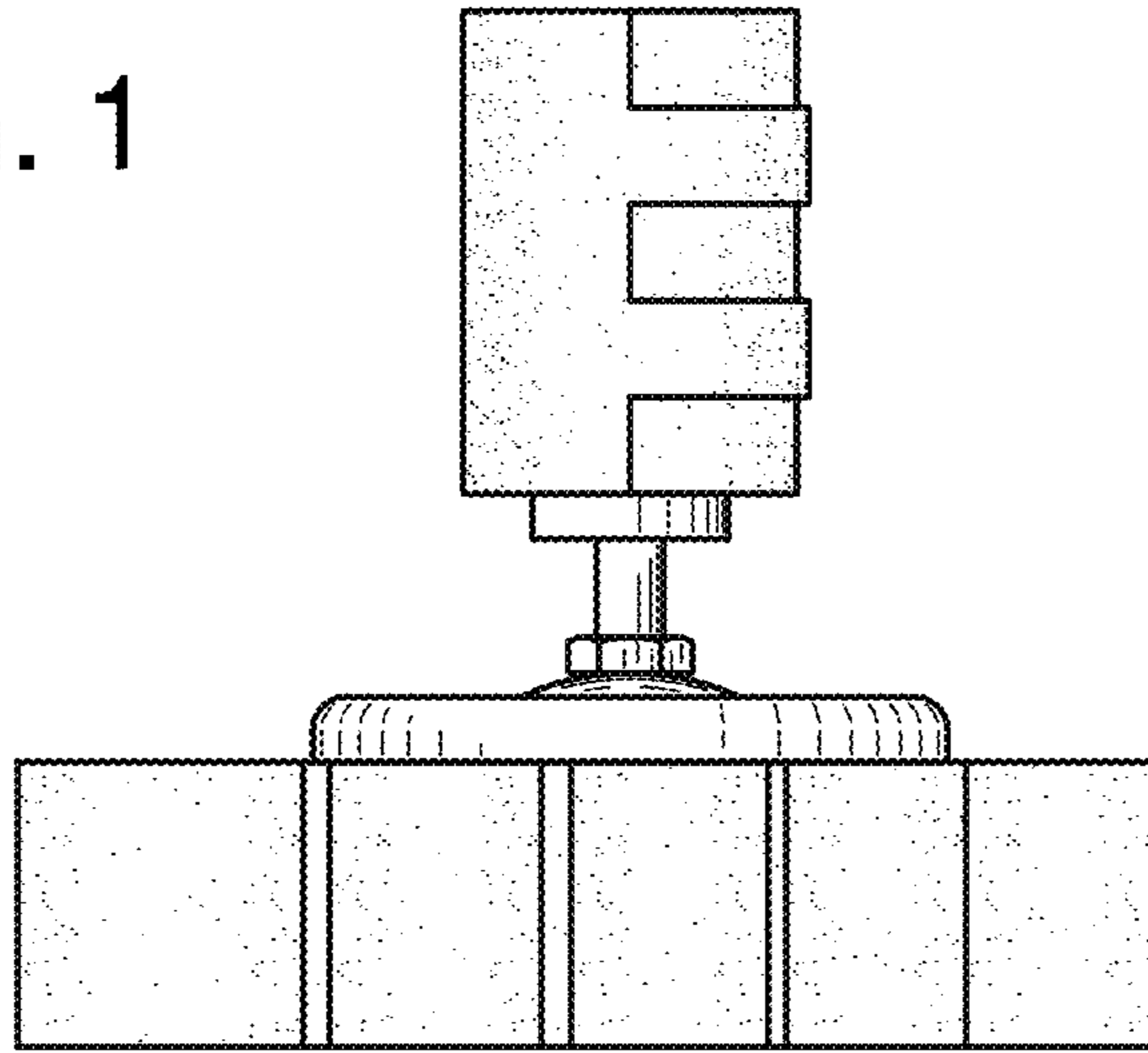


FIG. 2

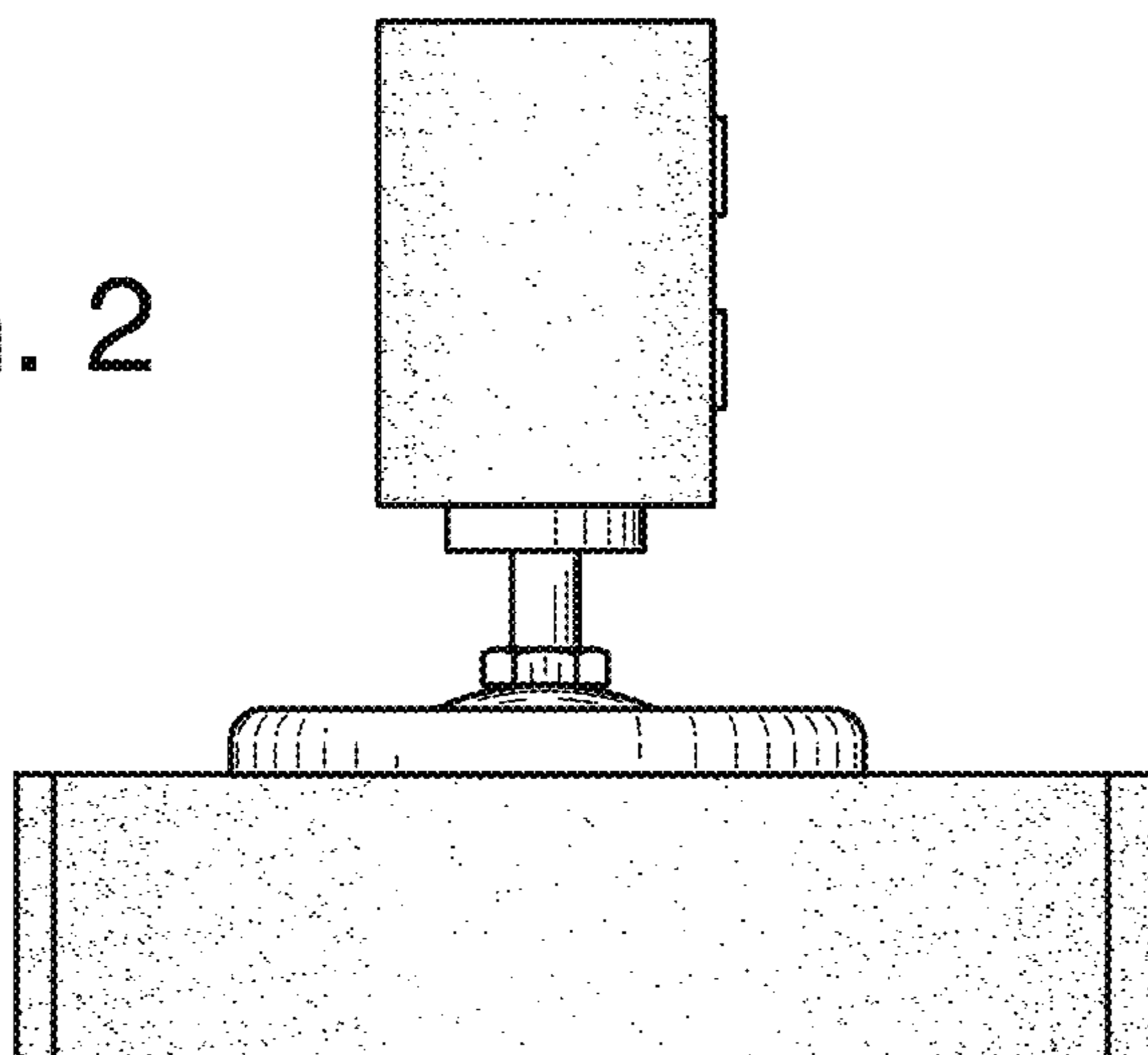


FIG. 3

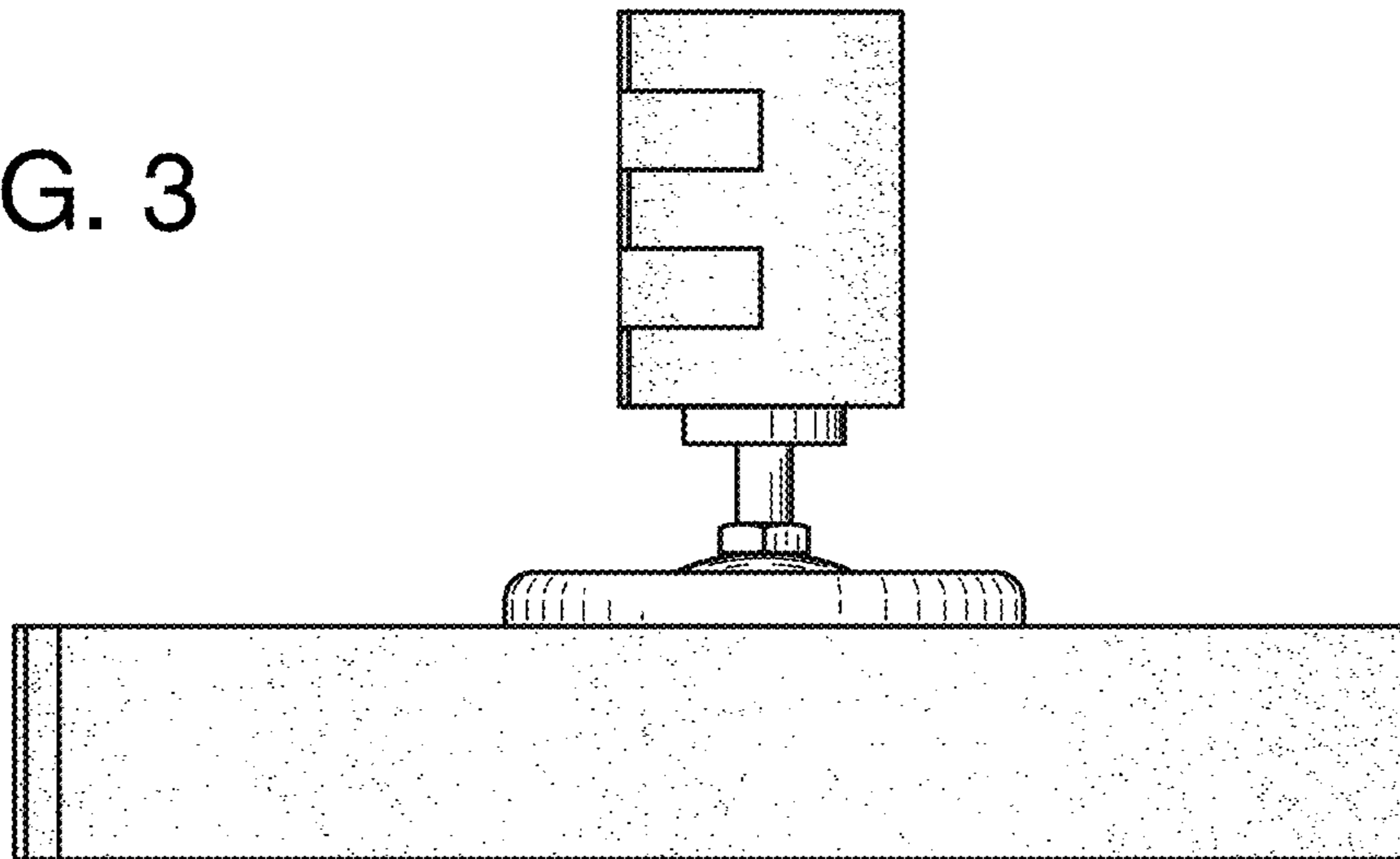


FIG. 4

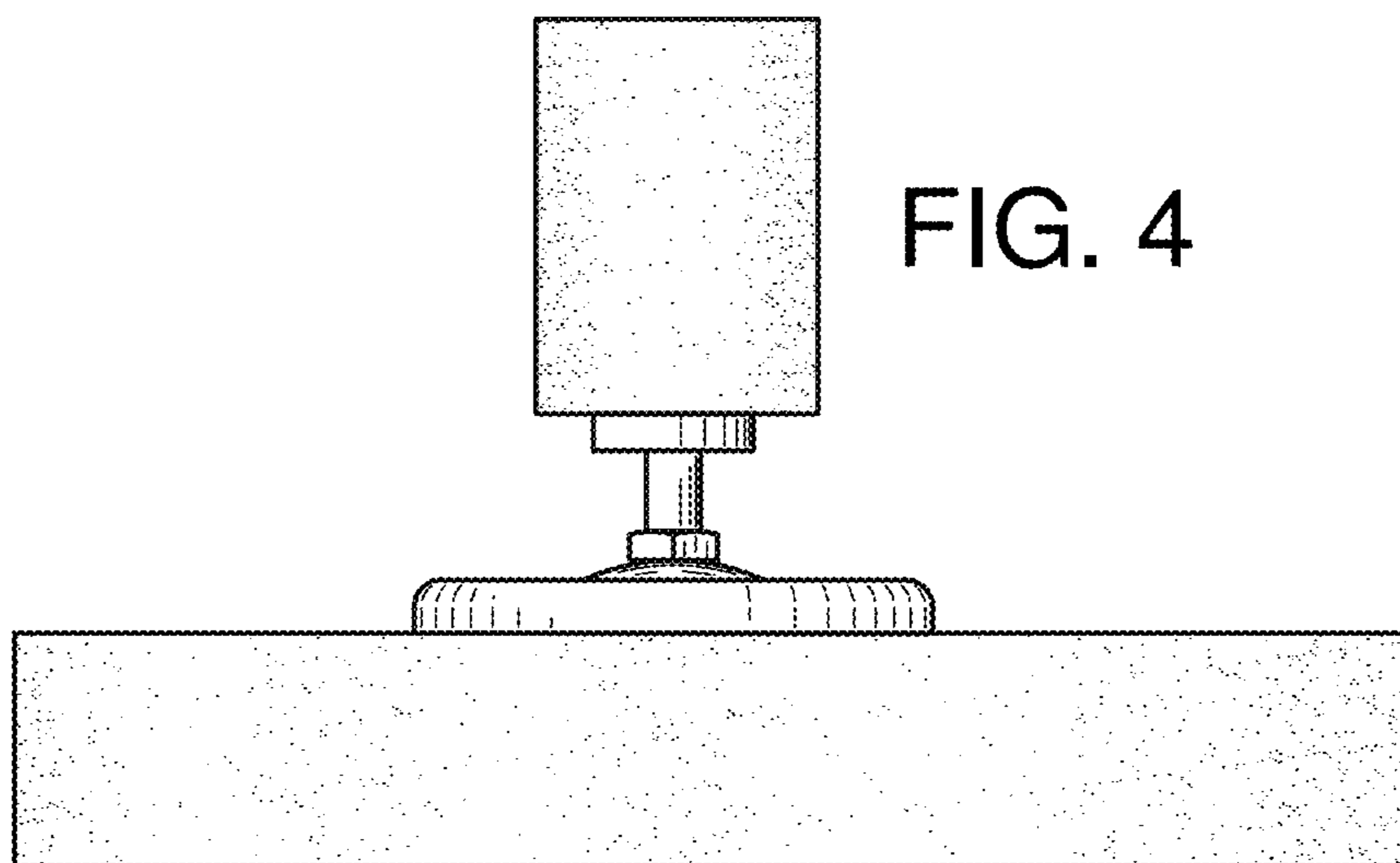


FIG. 5

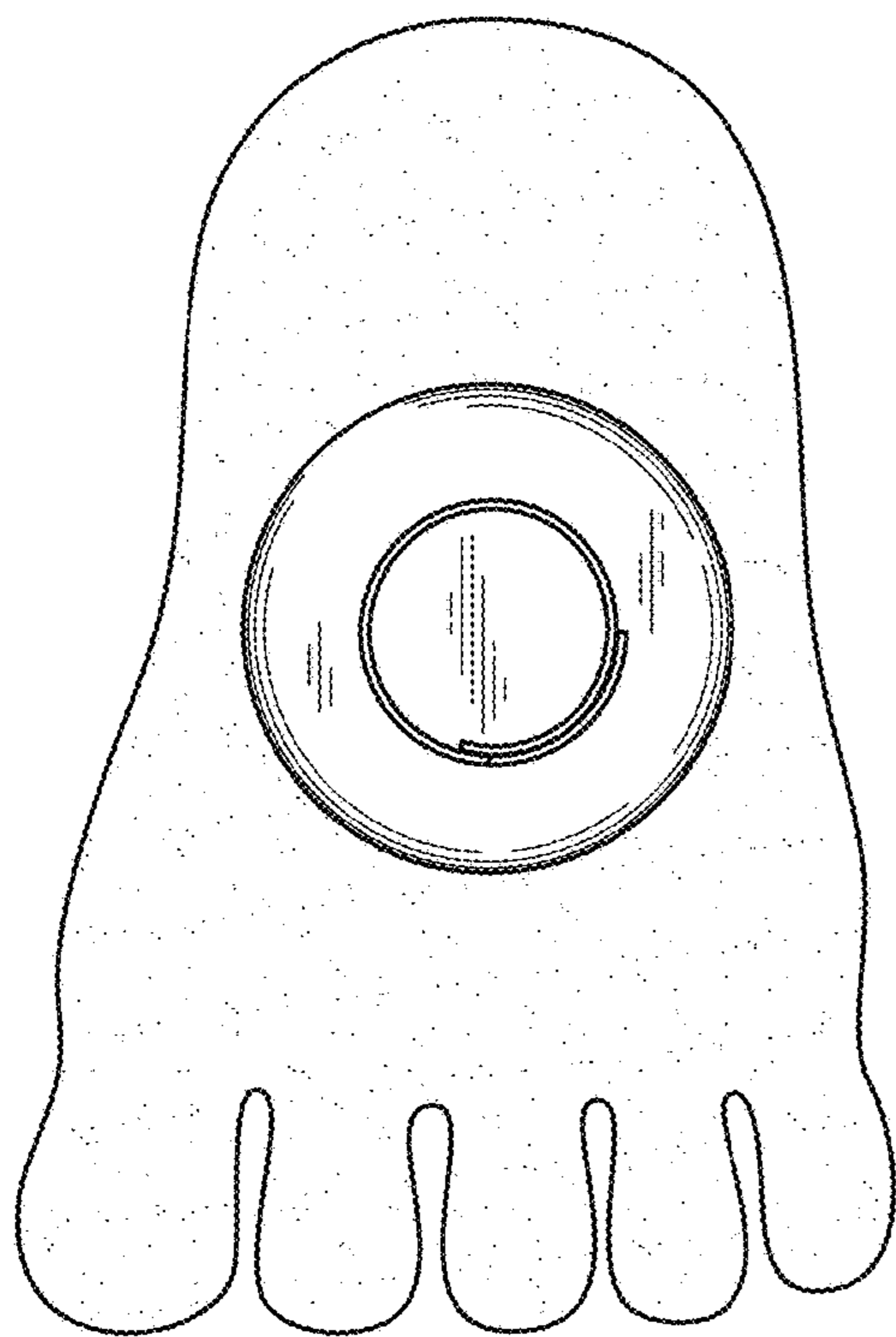


FIG. 6

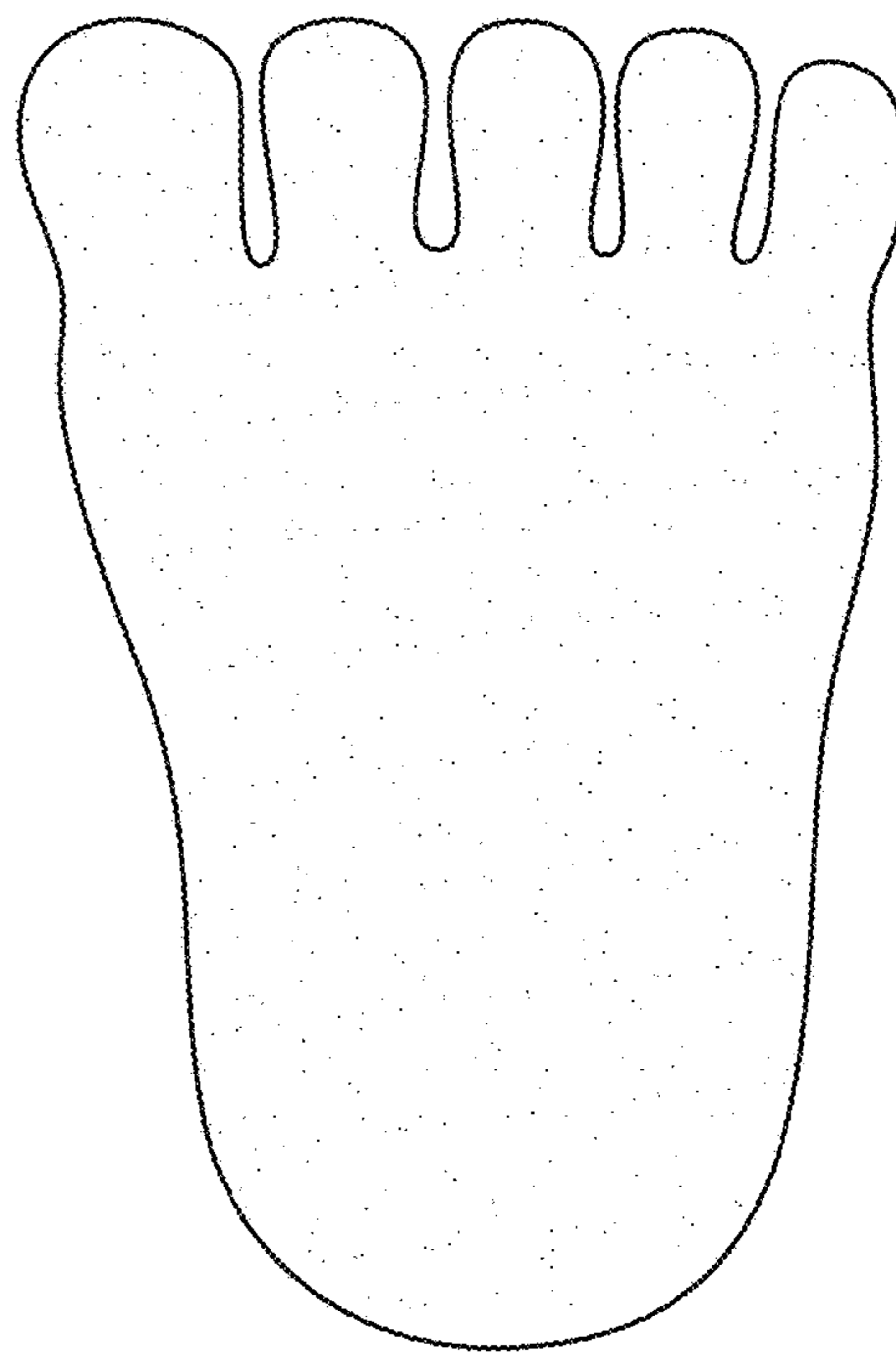


FIG. 7

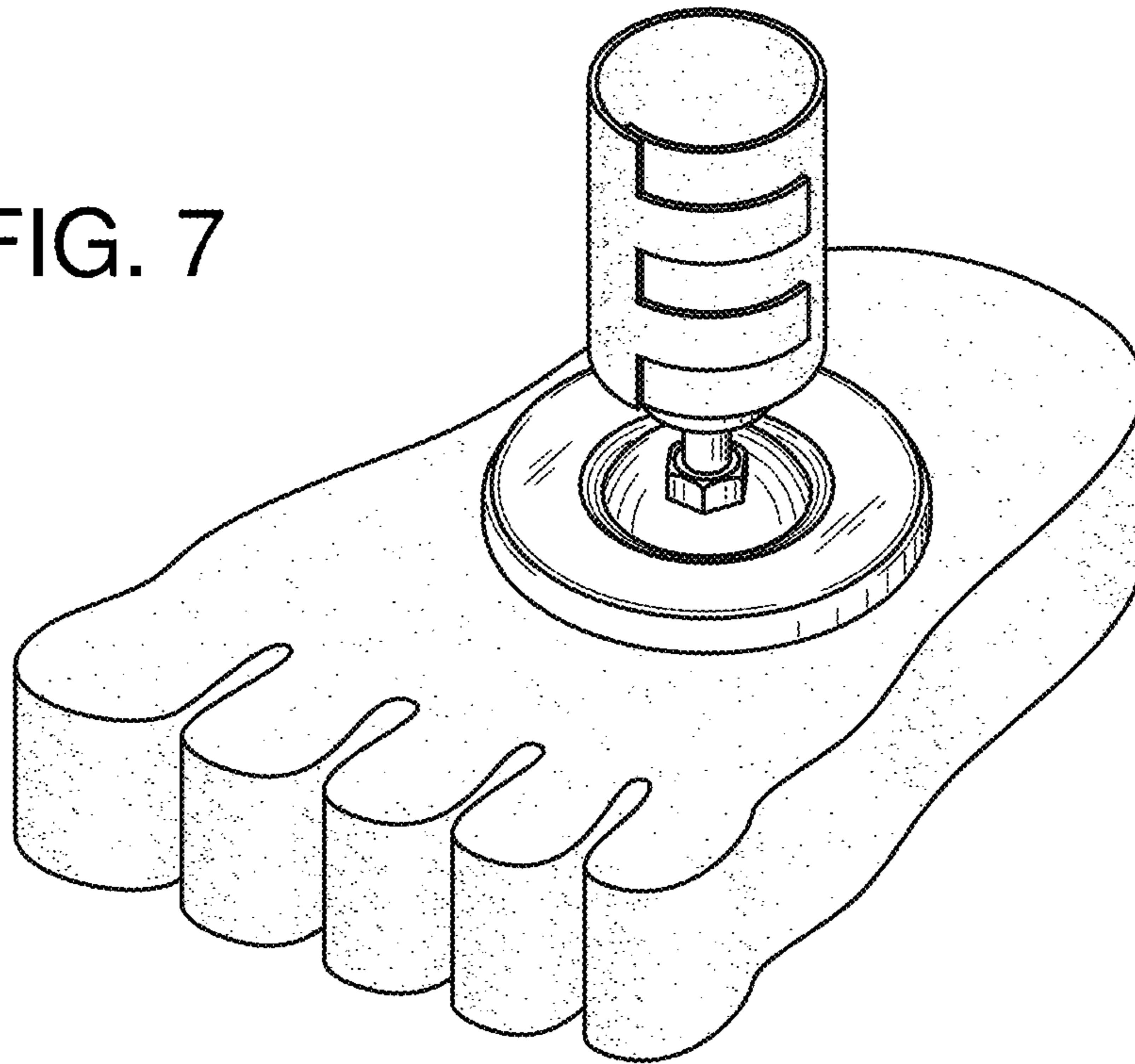


FIG. 8

