



US00D844355S

(12) **United States Design Patent**
Yang

(10) **Patent No.:** **US D844,355 S**

(45) **Date of Patent:** **** Apr. 2, 2019**

(54) **FURNITURE LEG**

(71) Applicant: **Lei Yang**, City of Industry, CA (US)

(72) Inventor: **Lei Yang**, City of Industry, CA (US)

(73) Assignee: **Furniture of America, Inc.**, City of Industry, CA (US)

(**) Term: **15 Years**

(21) Appl. No.: **29/595,599**

(22) Filed: **Feb. 28, 2017**

(51) **LOC (11) Cl.** **06-01**

(52) **U.S. Cl.**
USPC **D6/708.16; D6/709.2**

(58) **Field of Classification Search**
USPC D6/334-381, 708.16, 708.22, 708.23,
D6/708.25, 709, 709.2
CPC A47C 7/00; A47C 7/002; A47C 7/004
See application file for complete search history.

(56) **References Cited**

U.S. PATENT DOCUMENTS

D109,422 S *	4/1938	Salomon	D6/366
D113,191 S *	1/1939	Salomon	D6/366
D123,106 S *	10/1940	Cramer et al.	D6/367
D123,259 S *	10/1940	Cramer	D6/367
D127,810 S *	6/1941	Michelson	D6/352
D127,977 S *	7/1941	Shepherd	D6/366
D156,463 S *	12/1949	Rita	D6/352
D169,696 S *	5/1953	Ries et al.	D6/352
D241,389 S *	9/1976	Ball	D6/366
D251,277 S *	3/1979	Kelley	D6/366
D273,729 S *	5/1984	Pelly	D6/366
D357,148 S *	4/1995	Altis, Sr.	D6/708.16
D417,803 S *	12/1999	Shilling	D6/709.2

D445,270 S *	7/2001	Rehmert	D6/365
D462,207 S *	9/2002	Chen	D6/366
D503,052 S *	3/2005	Chi	D6/366
D579,677 S *	11/2008	Zhou	D6/349
D611,262 S *	3/2010	Grcic	D6/366
D693,586 S *	11/2013	Lenterman	D6/366
D797,483 S *	9/2017	Su	D6/708.25

* cited by examiner

Primary Examiner — Deanna L Pratt

(74) *Attorney, Agent, or Firm* — Raymond Y. Chan;
David and Raymond Patent Firm

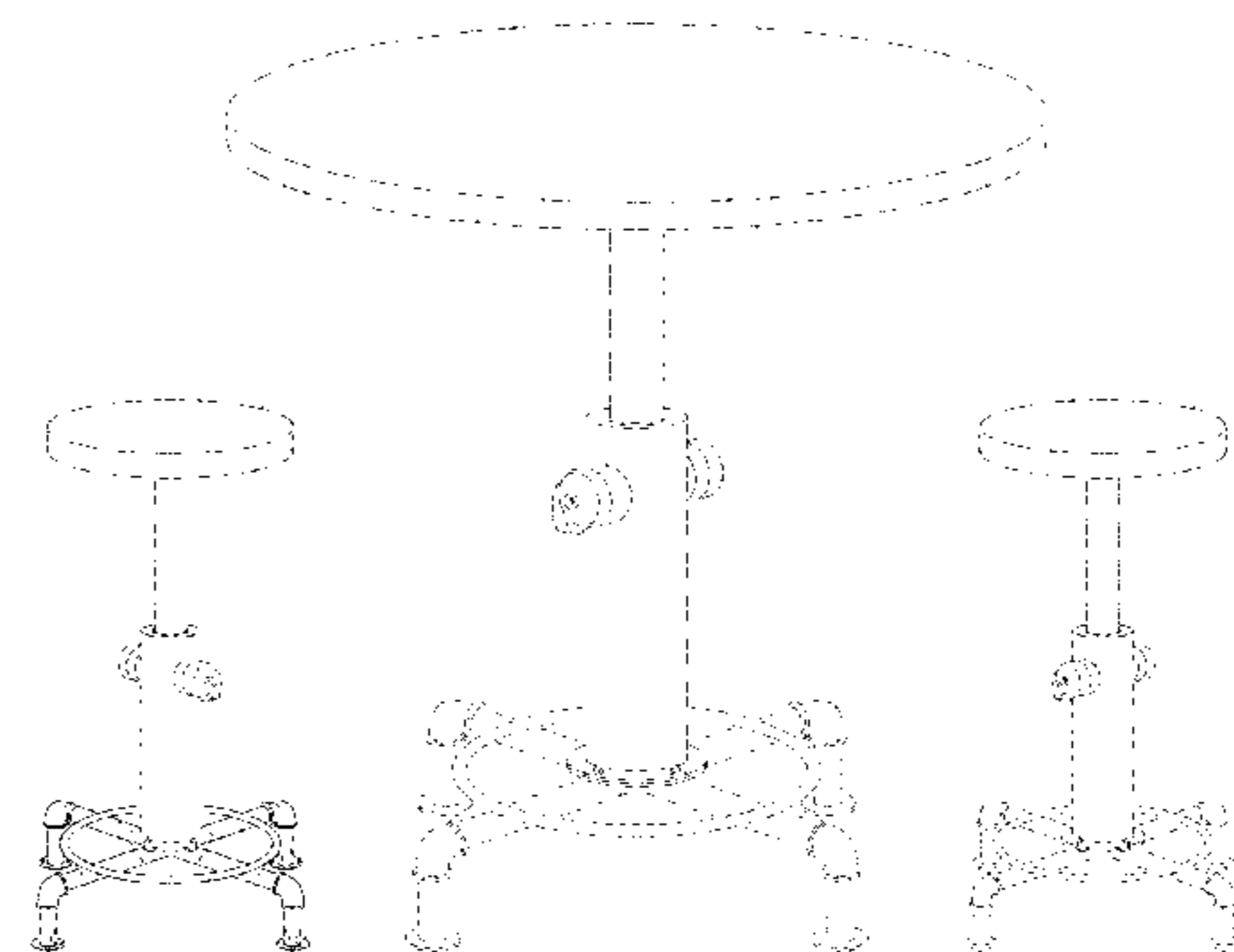
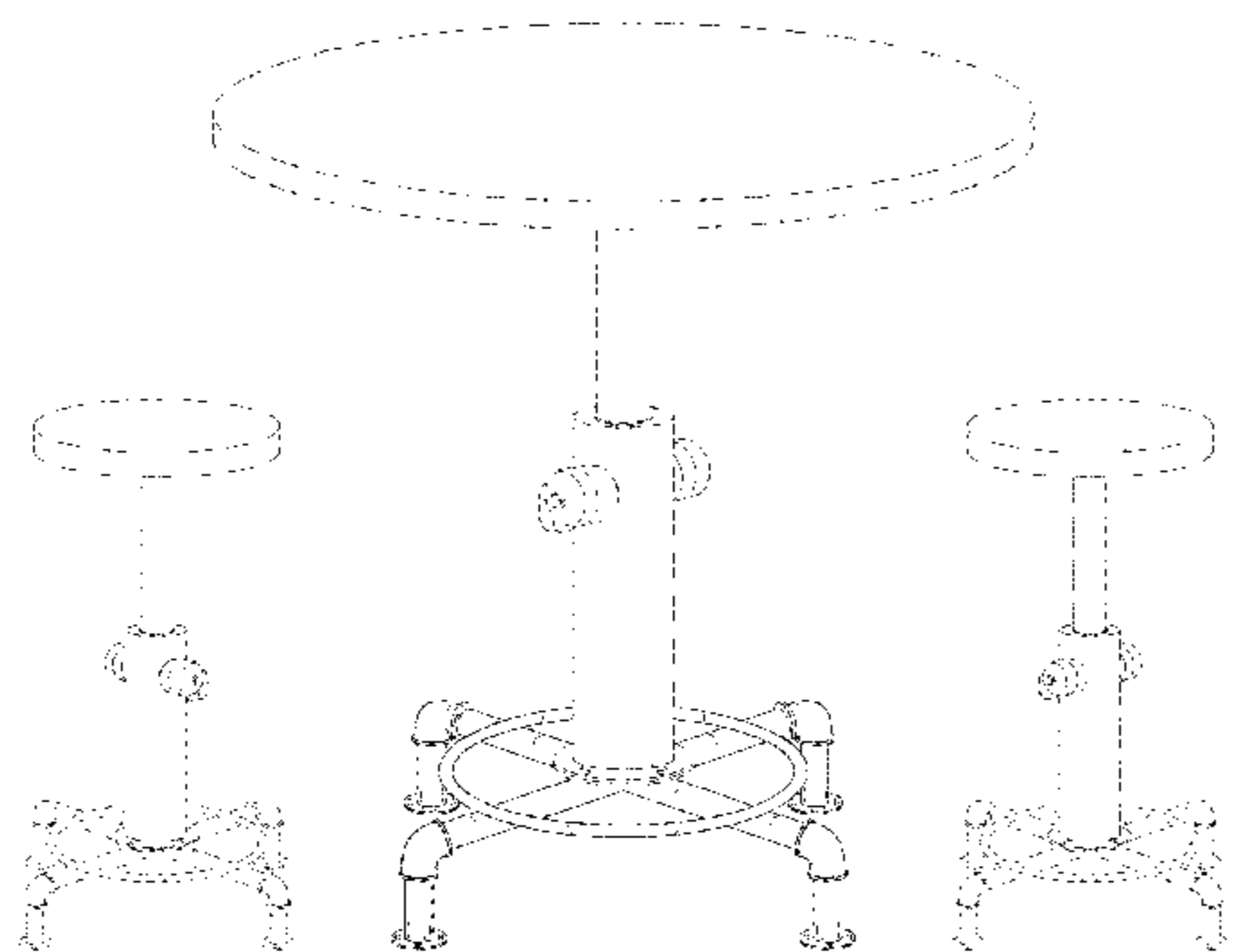
(57) **CLAIM**

The ornamental design for a furniture leg, as shown and described.

DESCRIPTION

FIG. 1 is a perspective view of the furniture leg showing my new design;
 FIG. 2 is a front view of the furniture leg;
 FIG. 3 is a rear view of the furniture leg;
 FIG. 4 is a left view of the furniture leg;
 FIG. 5 is a right view of the furniture leg;
 FIG. 6 is a top view of the furniture leg;
 FIG. 7 is a bottom view of the furniture leg;
 FIG. 8 illustrates the furniture leg of the present invention installed to a tabletop to form a table; and,
 FIG. 9 illustrates the furniture leg of the present invention installed to a seat panel to form a stool seat.
 The broken line showing of portions of the furniture leg illustrates portions of the furniture leg that form no part of the claimed design. The broken line showing of the table top in FIGS. 1-9 and the table and the stool seat in FIGS. 8-9 illustrates the environment of the claimed design and forms no part thereof.

1 Claim, 9 Drawing Sheets



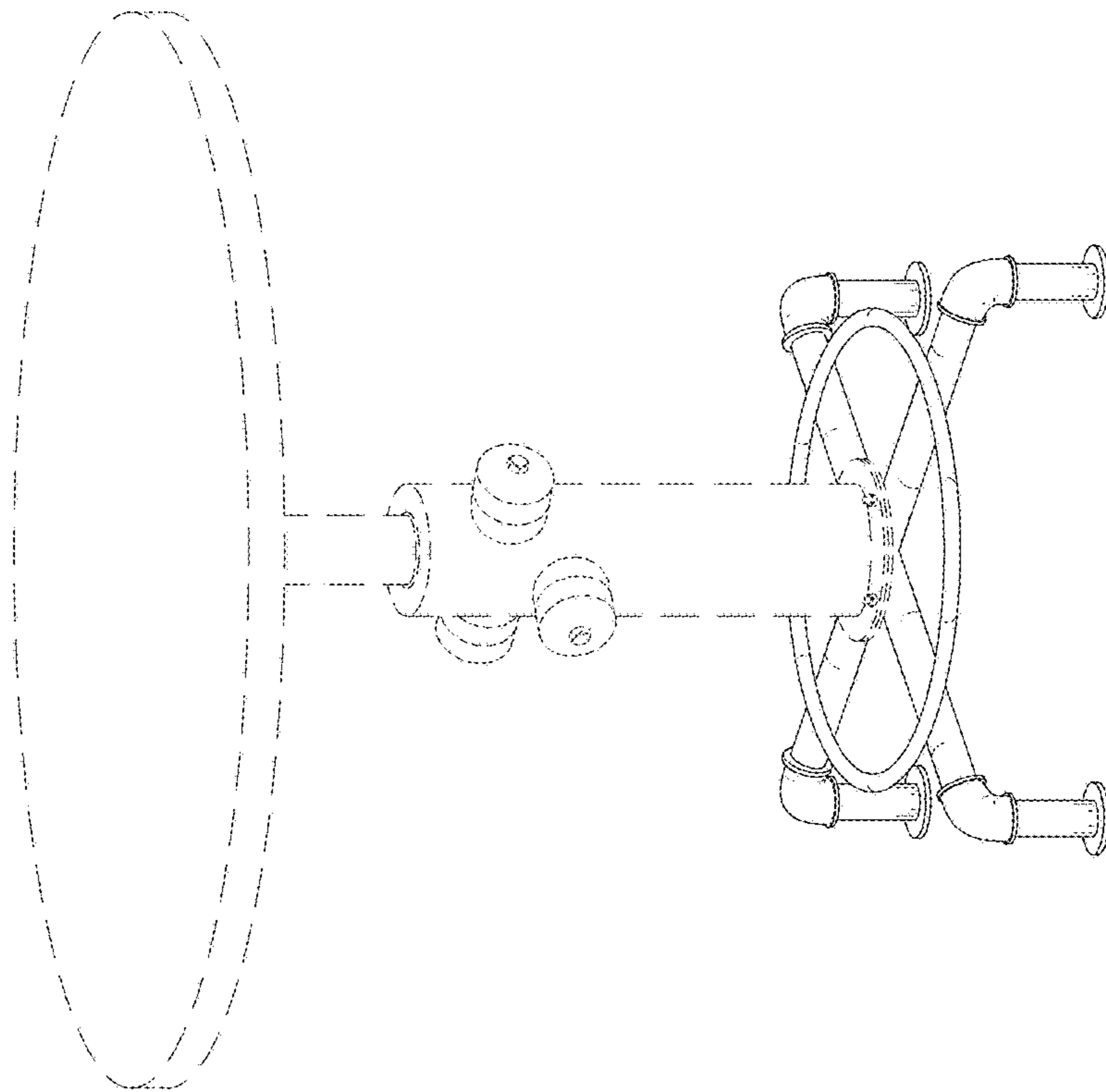


FIG.1

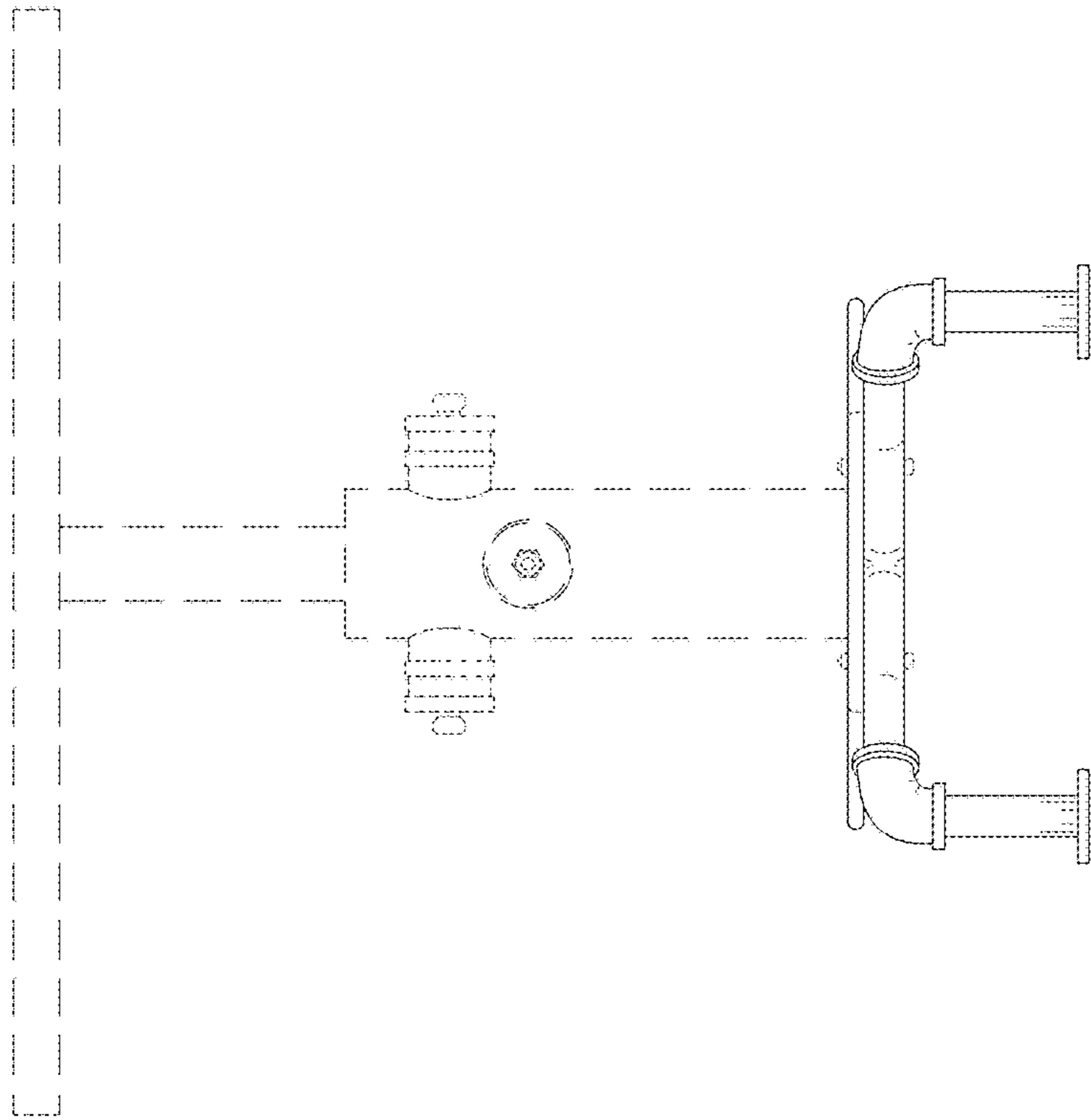


FIG.2

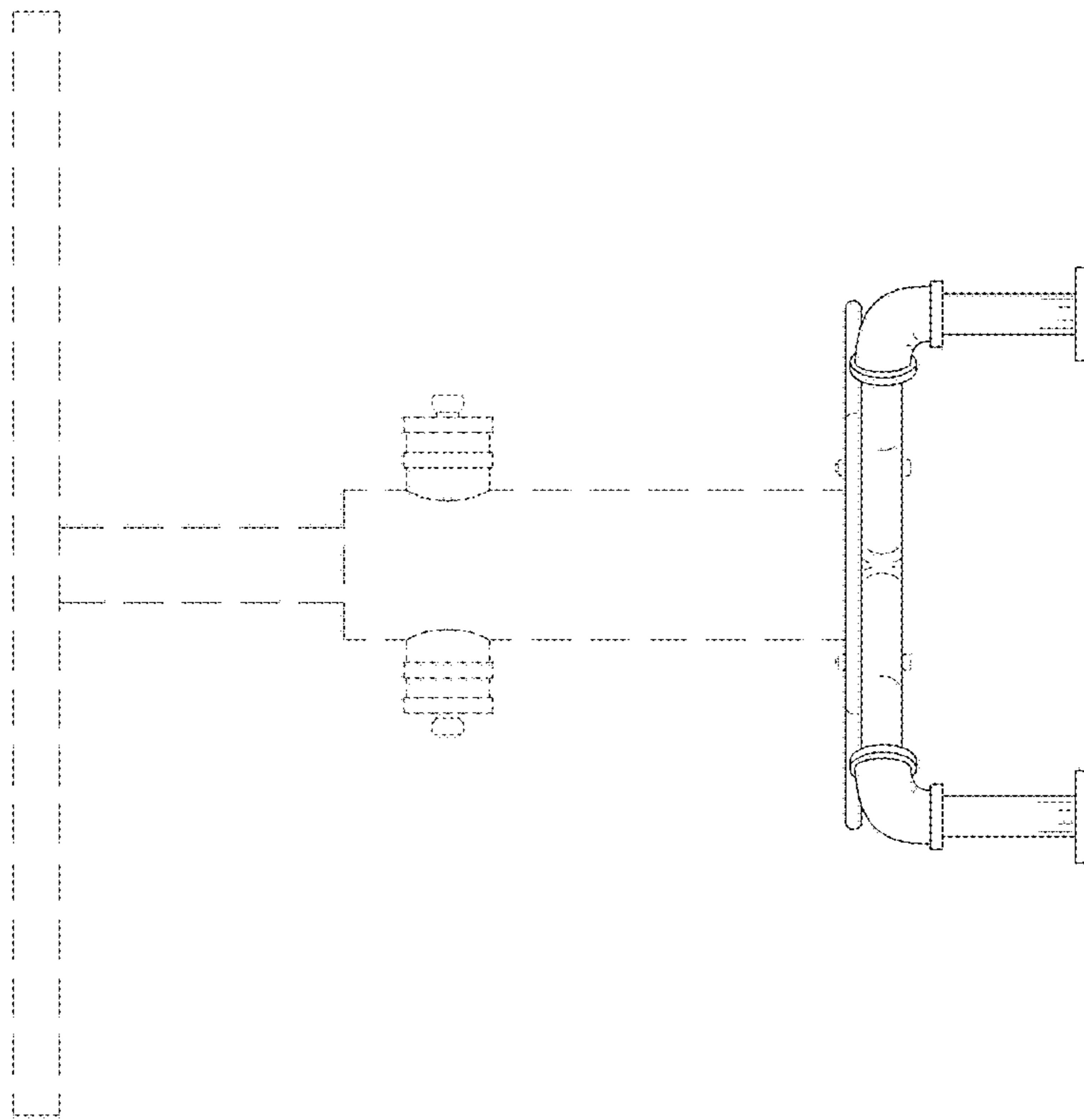


FIG.3

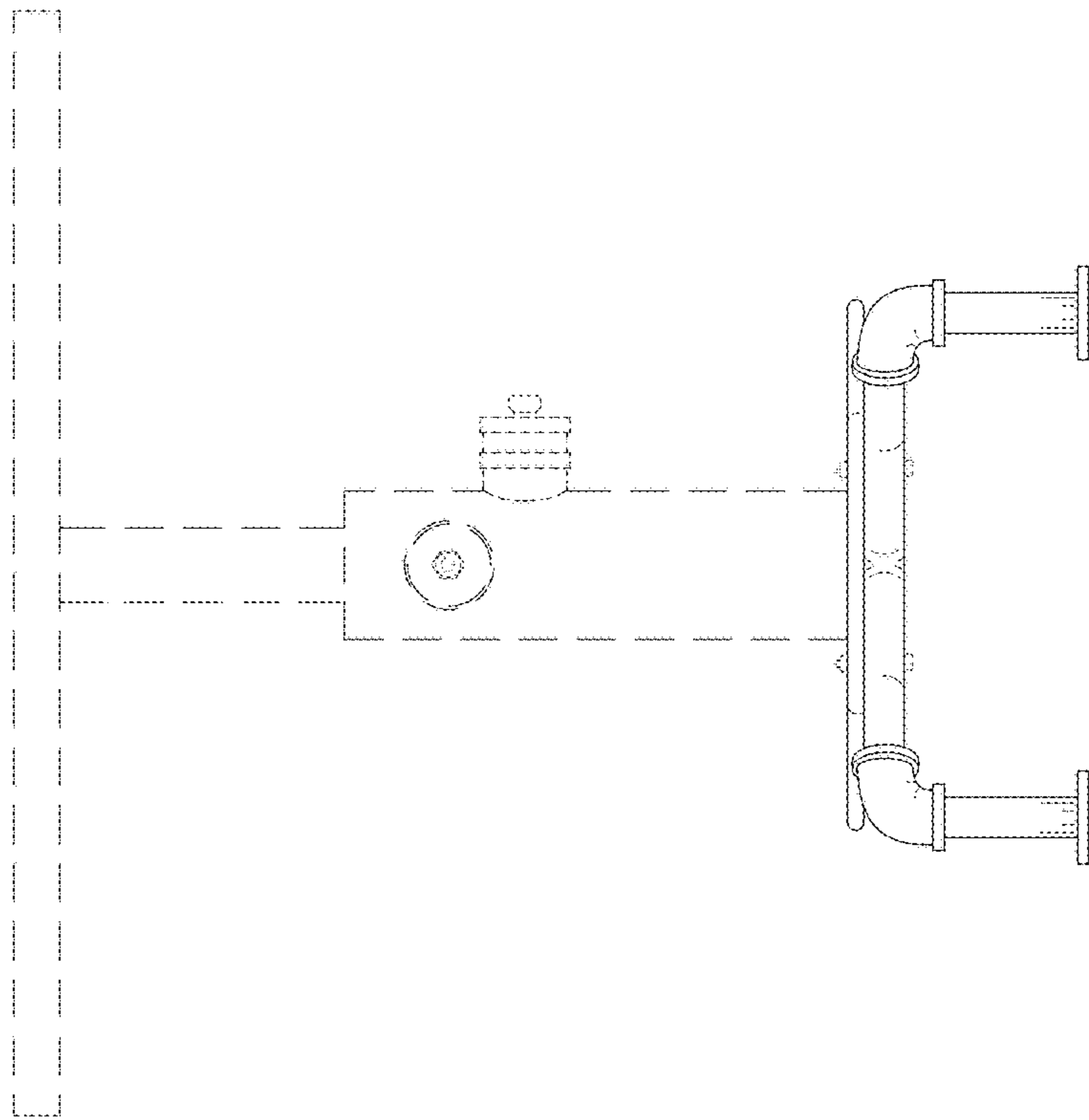


FIG.4

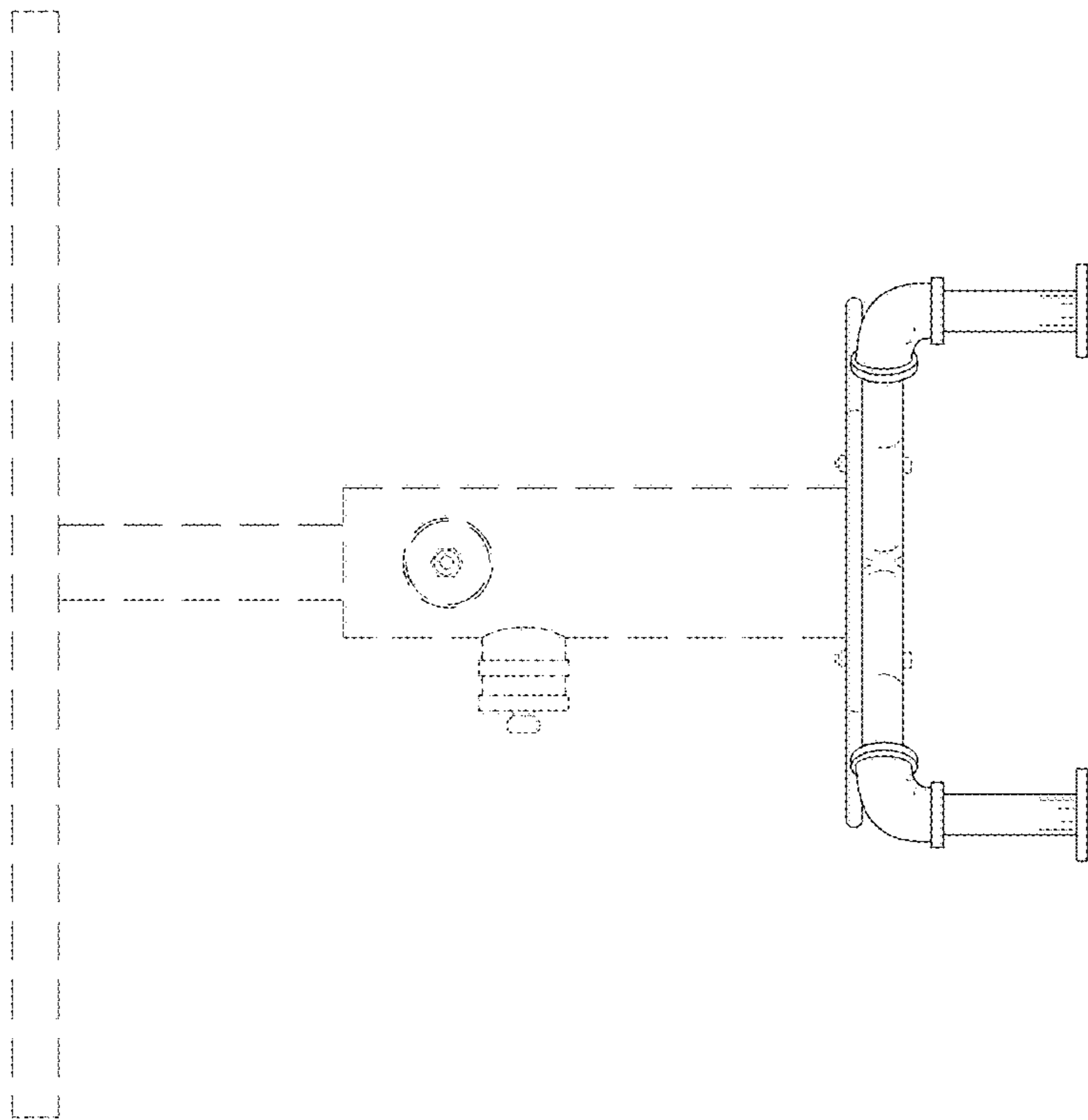


FIG. 5

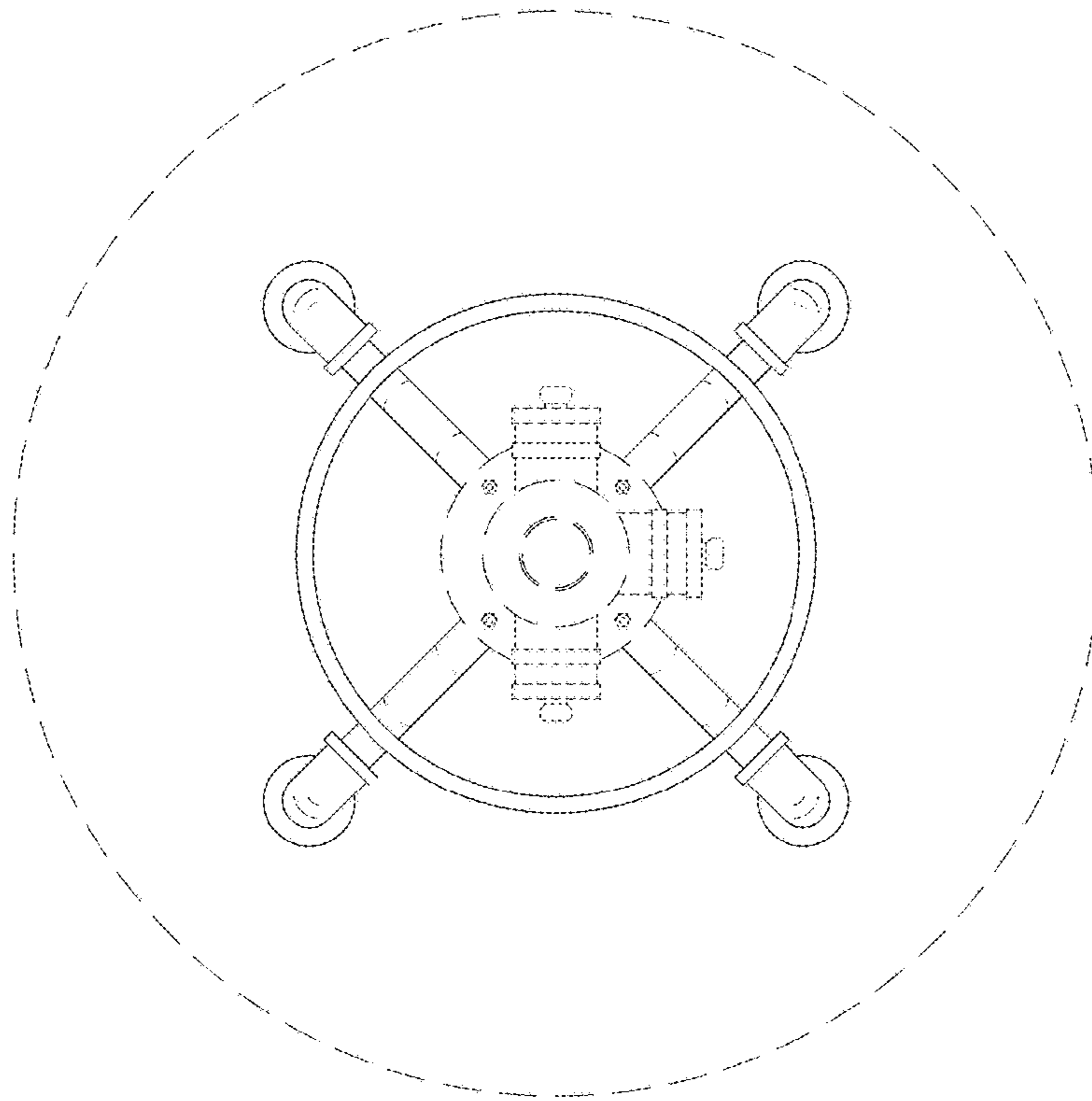


FIG. 6

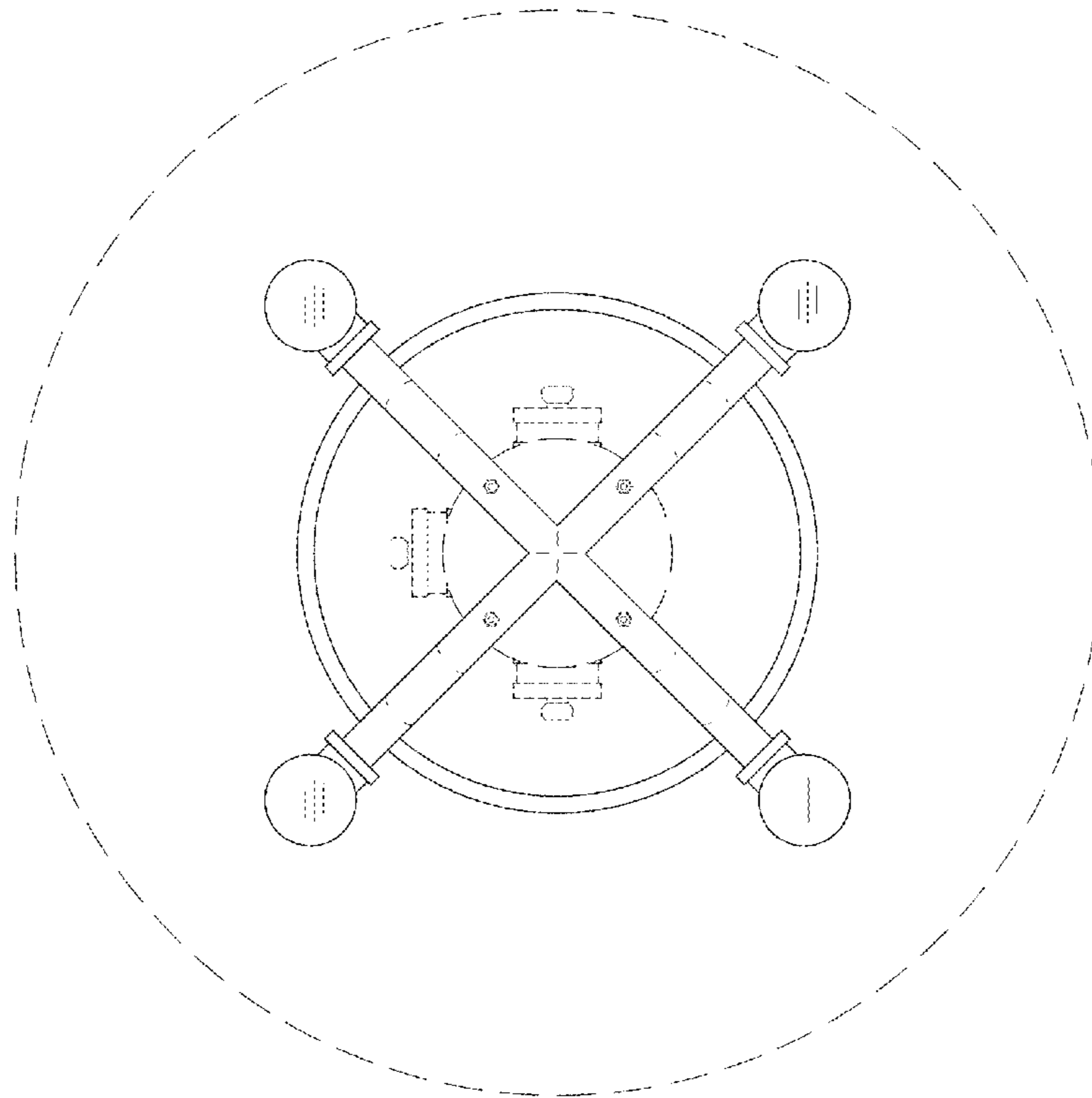


FIG. 7

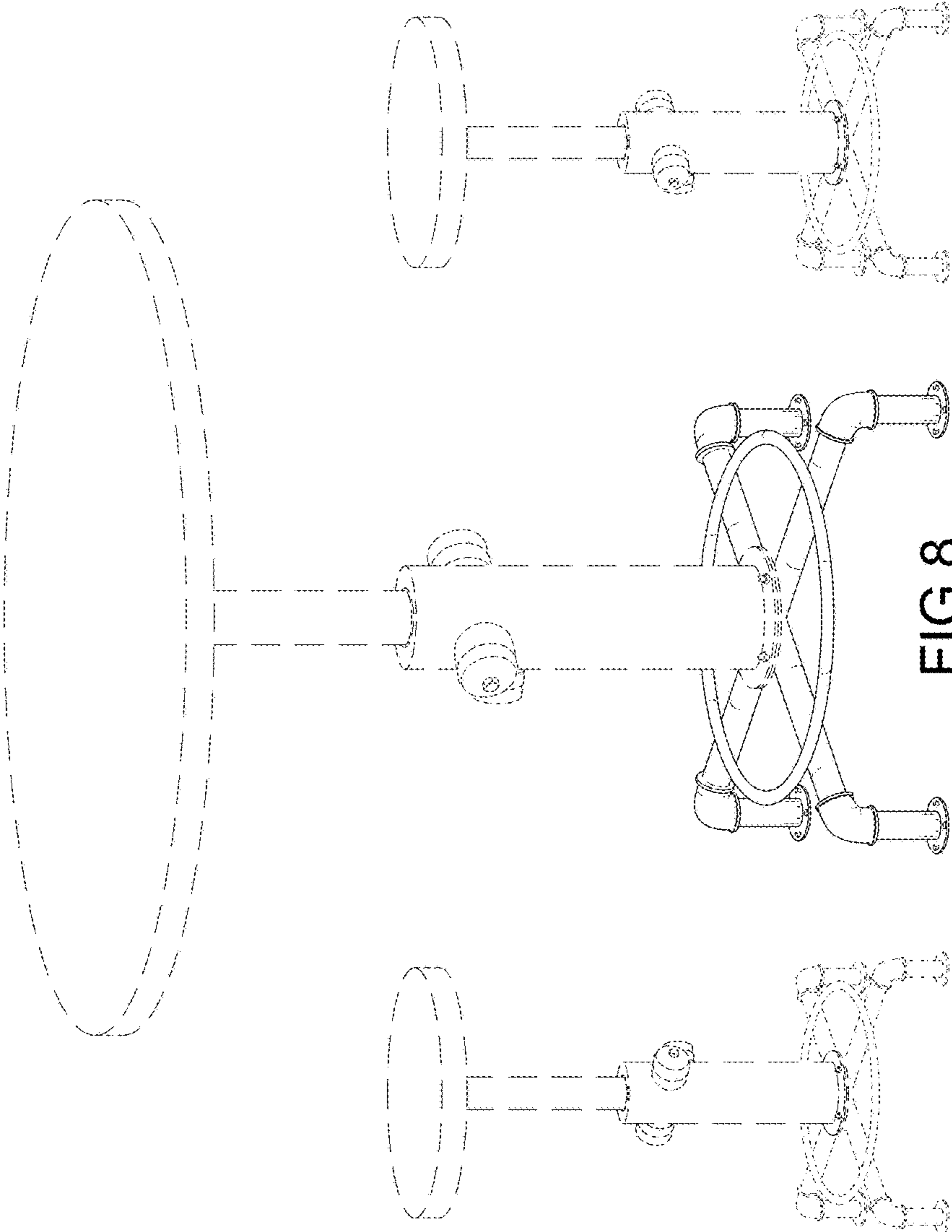


FIG.8

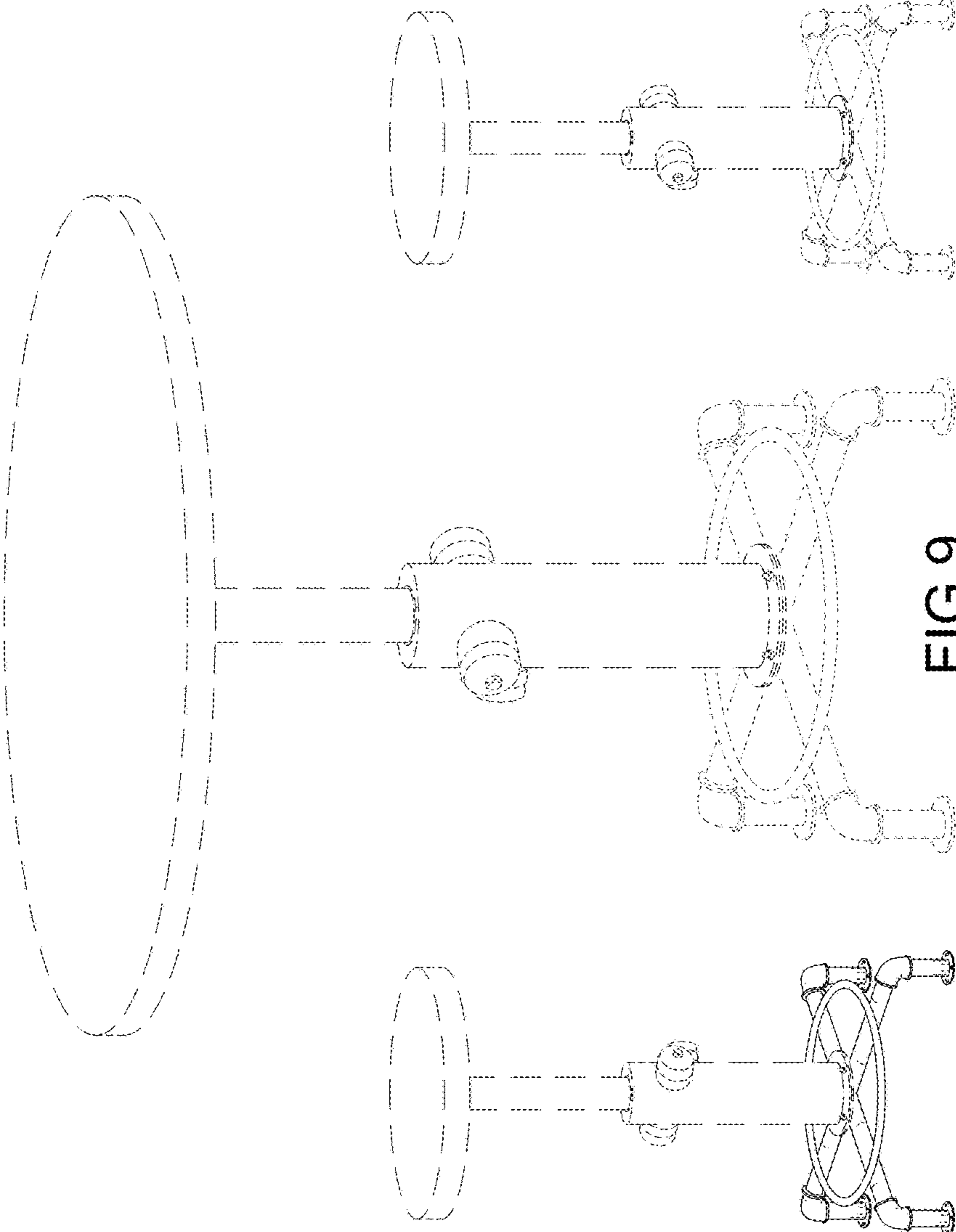


FIG.9