



US00D844353S

(12) **United States Design Patent**
Horowitz

(10) **Patent No.:** **US D844,353 S**
(45) **Date of Patent:** **** Apr. 2, 2019**

(54) **FOLDING TABLE WITH ROTATABLE WHEELS**
(71) Applicant: **Brian Horowitz**, Lake Forest, CA (US)
(72) Inventor: **Brian Horowitz**, Lake Forest, CA (US)
(**) Term: **15 Years**
(21) Appl. No.: **29/612,923**

(22) Filed: **Aug. 4, 2017**
(51) **LOC (11) Cl.** **06-03**
(52) **U.S. Cl.**
USPC **D6/686**; D6/687; D6/691.1; D21/397
(58) **Field of Classification Search**
USPC D6/686, 687, 688.26, 688.27, 691, 691.1, D6/691.3, 691.4, 691.6, 691.8, 691.9, D6/693, 694, 695, 695.1, 696, 696.1, D6/696.3, 697, 702, 707.15, 708, 708.17, D6/709, 710; D21/303, 312, 397
CPC A47B 13/06; A47B 2013/026; A47B 1/08; A47B 2003/0821; A47B 3/087; A47B 3/0911; A47B 3/0918; A47B 3/14; A47B 2003/145; A47B 31/04; B62B 3/108
See application file for complete search history.

(56) **References Cited**
U.S. PATENT DOCUMENTS
5,014,628 A * 5/1991 Roberts A47B 3/0918
108/133
5,154,441 A * 10/1992 White A47B 31/04
108/120
8,091,490 B2 * 1/2012 Branch A47B 3/087
108/125
8,555,791 B2 * 10/2013 Jin A47B 3/087
108/168
D693,159 S * 11/2013 Lidwell D21/425

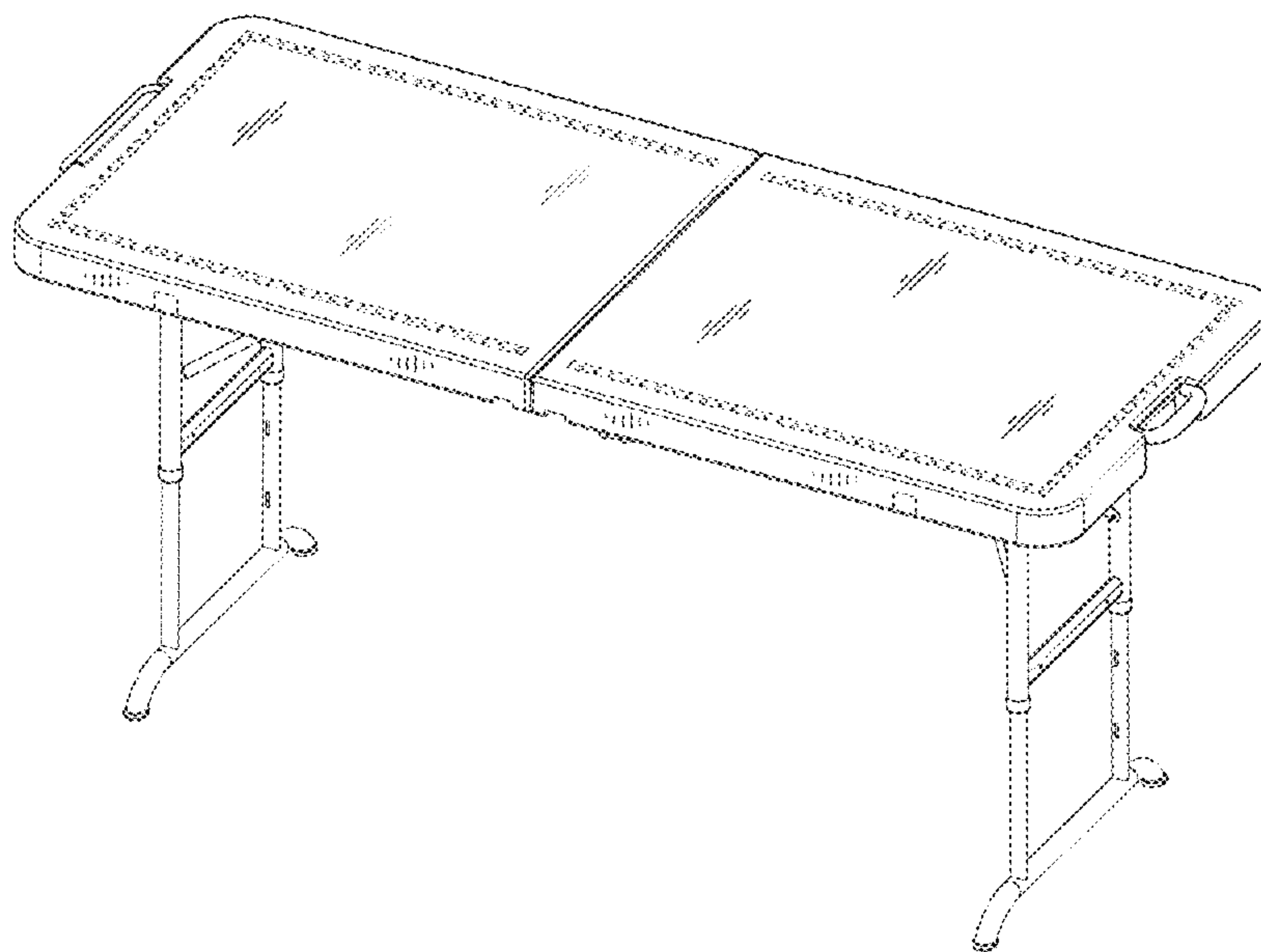
8,573,139 B2 * 11/2013 Ashby A47B 3/087
108/126
D756,694 S * 5/2016 Johnson D6/707.24
9,738,295 B1 * 8/2017 Horowitz B62B 1/12
9,763,513 B2 * 9/2017 Cai A47B 3/0912
2007/0199483 A1 * 8/2007 Peery A47B 3/0912
108/132
2012/0111242 A1 * 5/2012 Branch A47B 3/087
108/167
2016/0010376 A1 * 1/2016 DeVriendt A47B 3/14
16/374
2018/0049547 A1 * 2/2018 Wasserman A47B 3/087

* cited by examiner
Primary Examiner — Mary Ann Calabrese
Assistant Examiner — Catherine Ho
(74) *Attorney, Agent, or Firm* — Morland C. Fischer

(57) **CLAIM**
The ornamental design for a folding table with rotatable wheels, as shown and described.

DESCRIPTION
FIG. 1 is a perspective view of a folding table with rotatable wheels in an extended position, showing my new design; FIG. 2 is a perspective view showing the bottom, front and right side thereof; FIG. 3 is a top plan view thereof; FIG. 4 is a left side elevational view thereof; FIG. 5 is a rear elevational view thereof; FIG. 6 is a front elevational view thereof; FIG. 7 is a perspective view of a folding table with rotatable wheels in a collapsed position, shown in an environment of use; and, FIG. 8 is a left side elevational view thereof. The broken line portion of the figure drawings is included to show environment that forms no part of the claimed design.

1 Claim, 6 Drawing Sheets



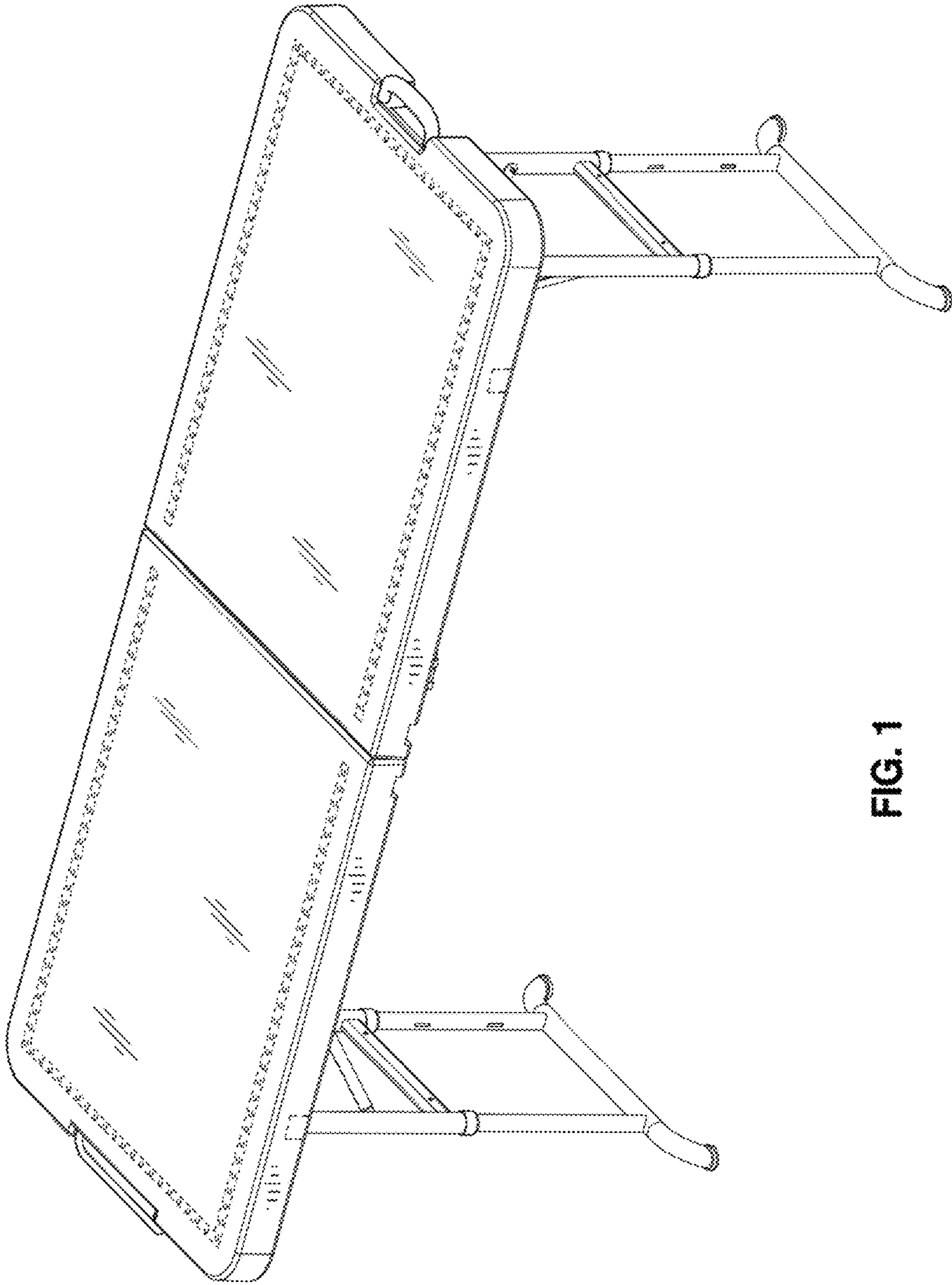


FIG. 1

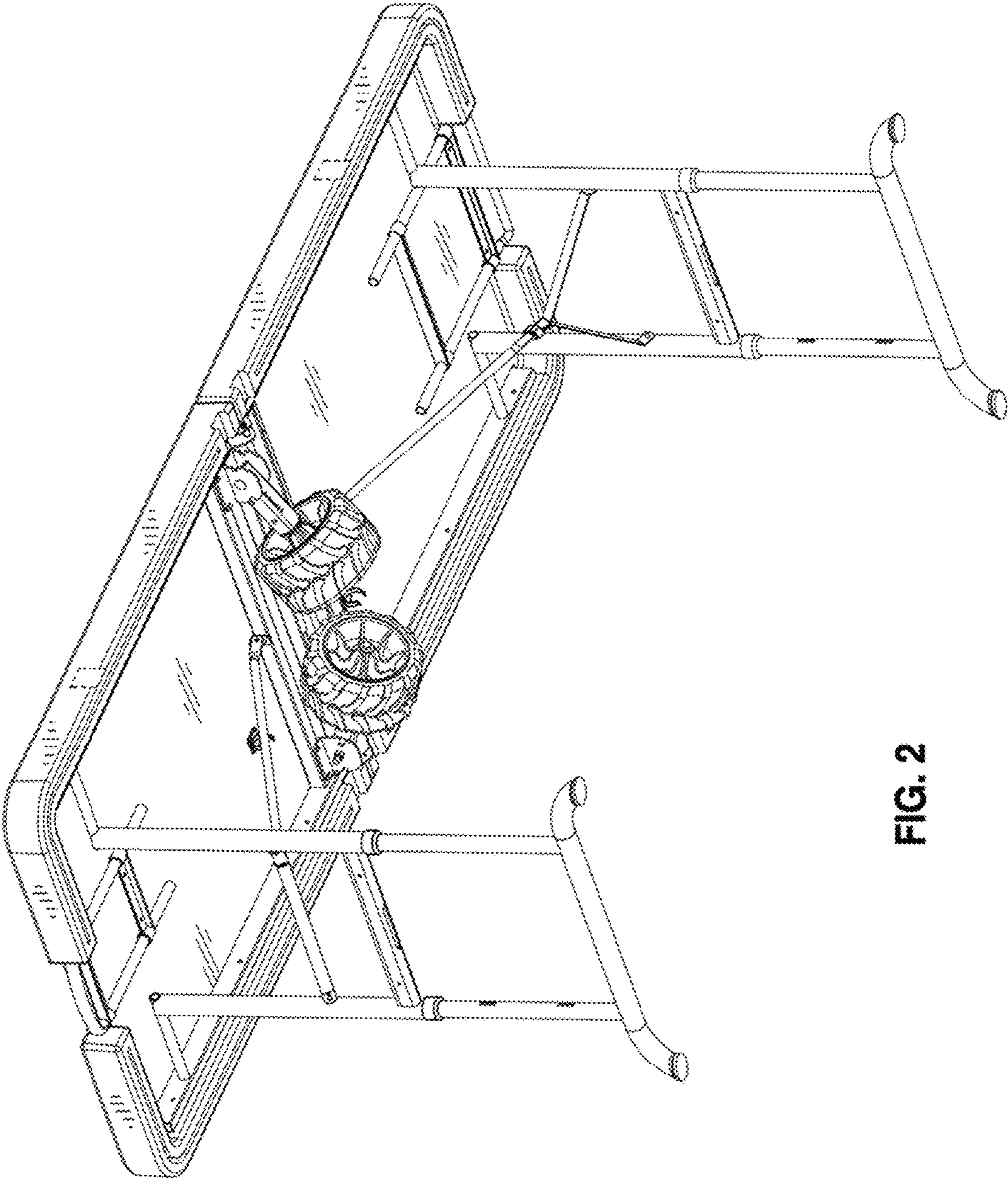


FIG. 2

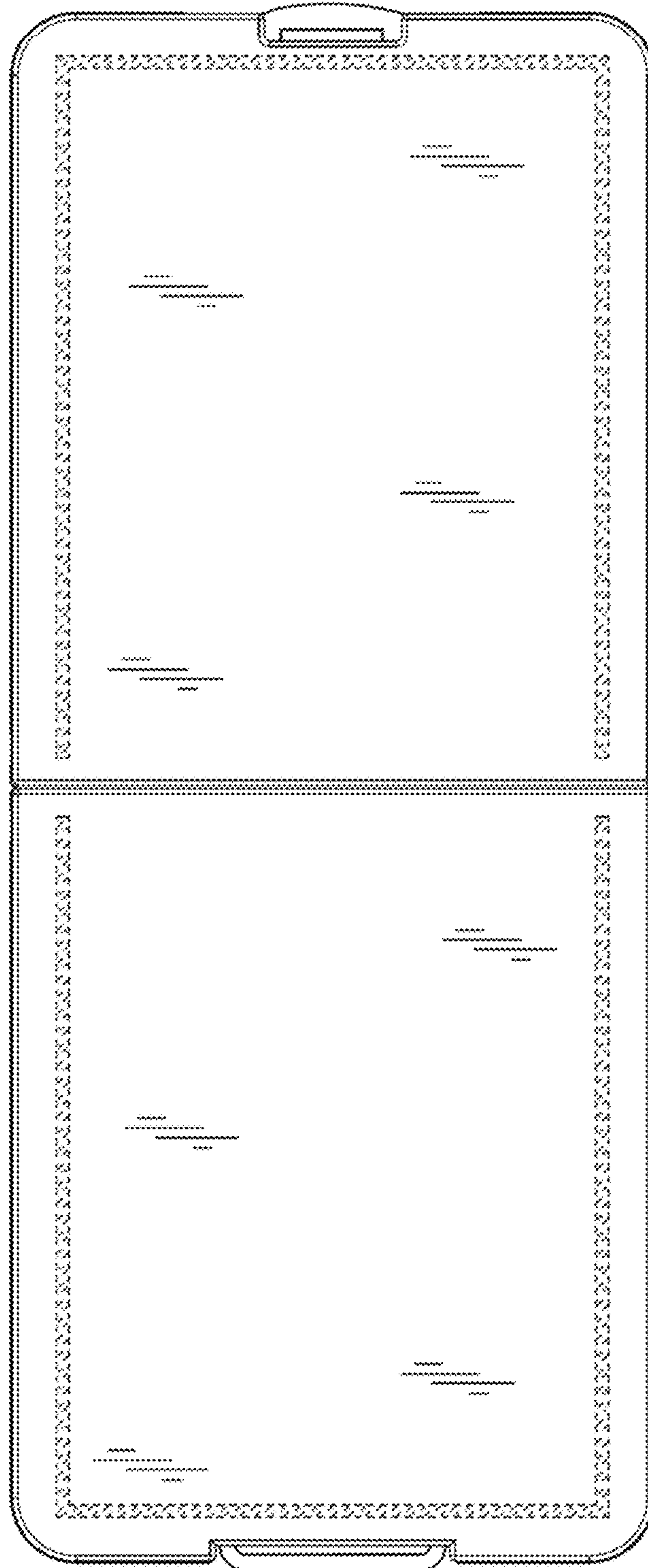


FIG. 3

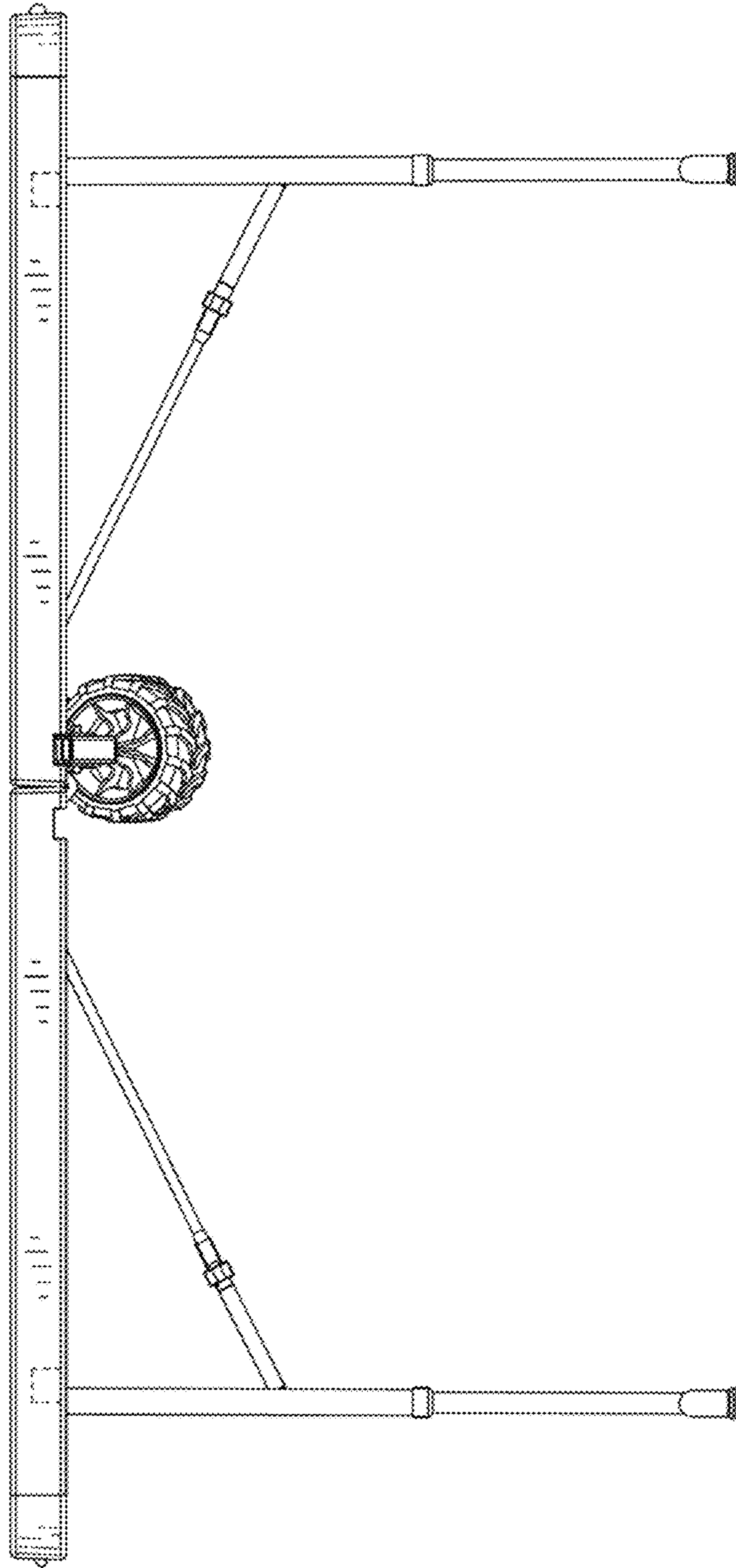


FIG. 4

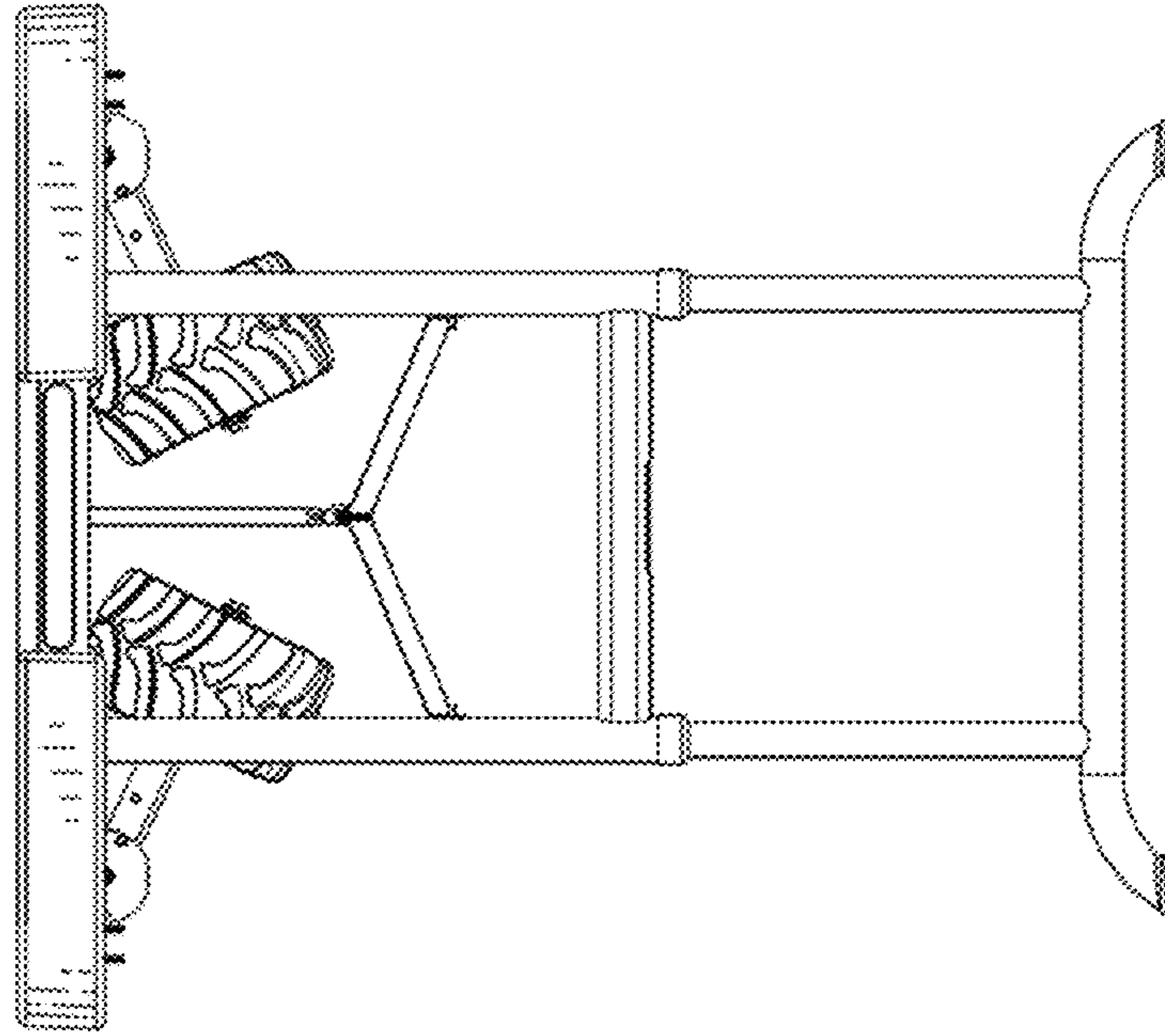


FIG. 5

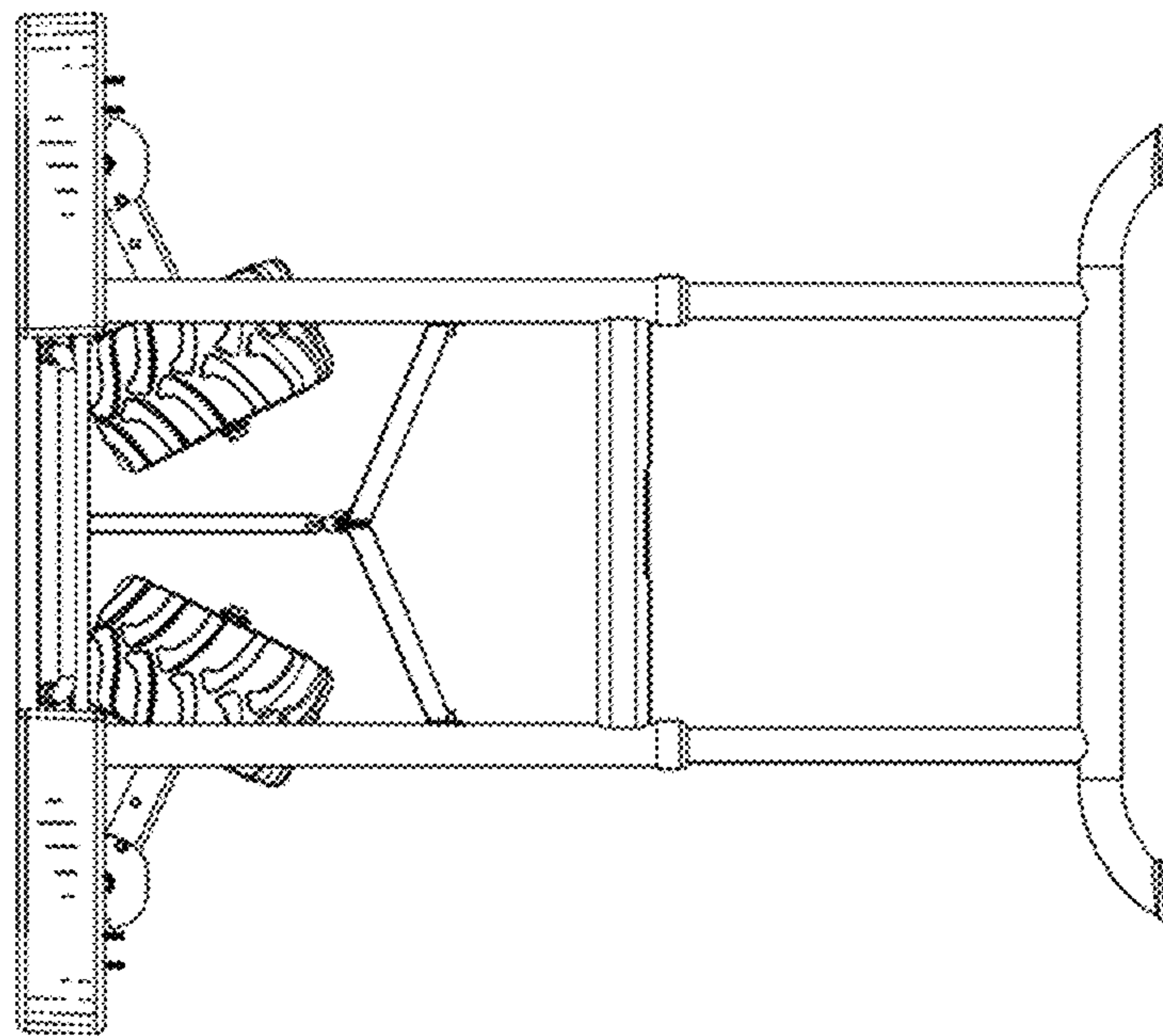


FIG. 6

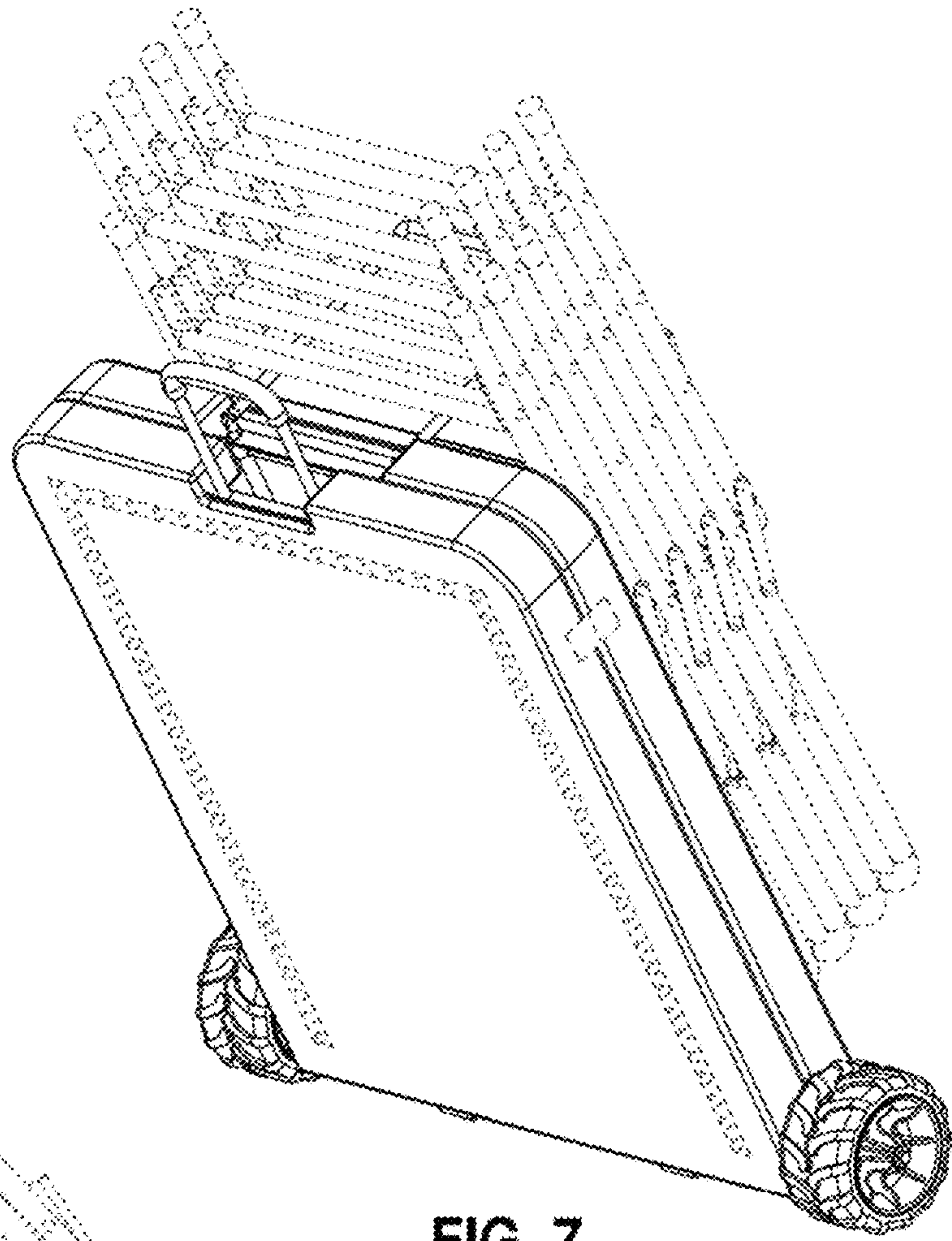


FIG. 7

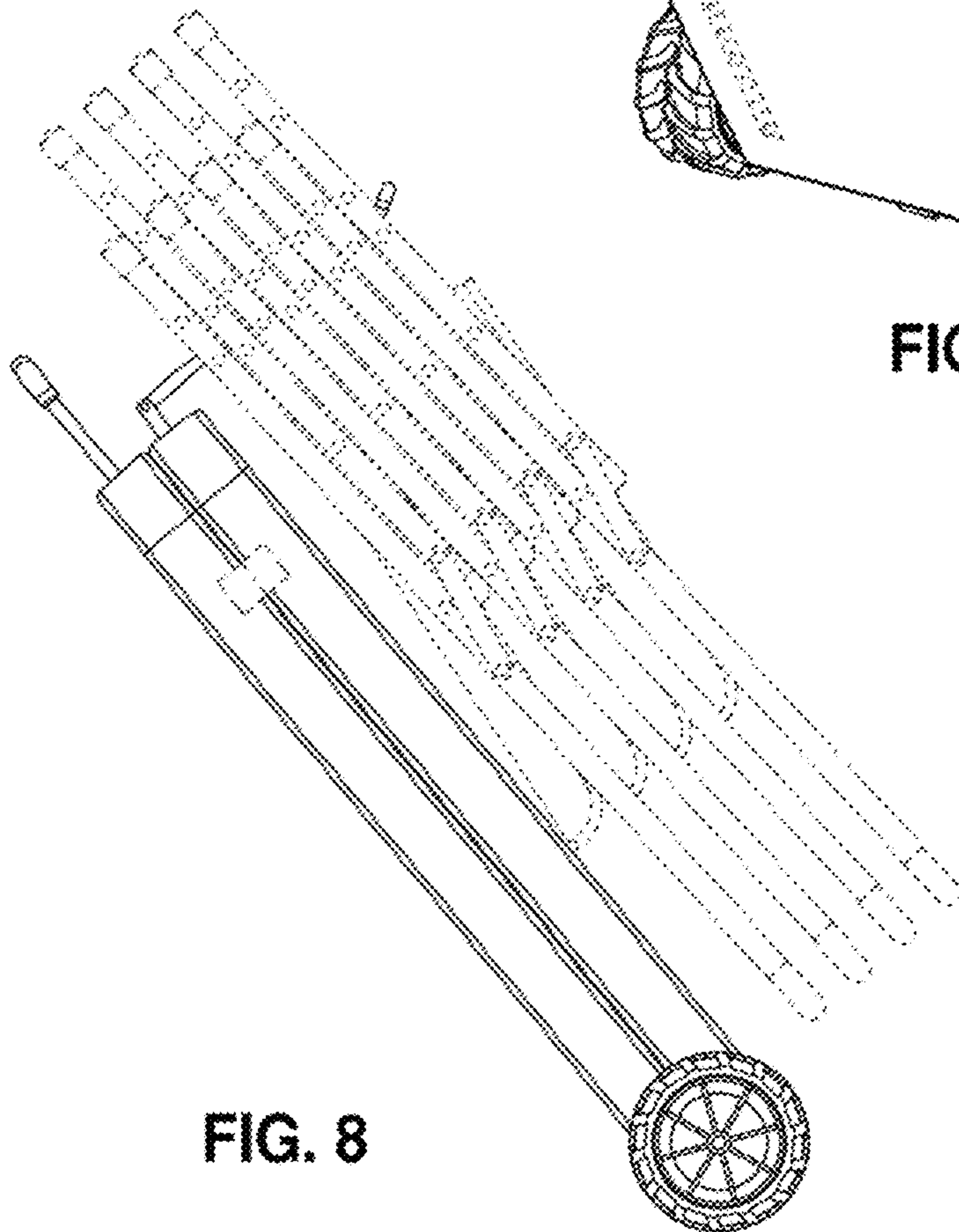


FIG. 8